



US00D507111S

(12) **United States Design Patent** (10) **Patent No.:** **US D507,111 S**
Renz et al. (45) **Date of Patent:** **** Jul. 12, 2005**

(54) **SIDE COMPARTMENT FOR A BAG** 6,230,952 B1 5/2001 Jupiter 224/655
 6,257,847 B1 7/2001 Silver et al. 417/415
 6,296,165 B1 10/2001 Mears 224/610
 6,298,993 B1 10/2001 Kalozdi 206/581
 D457,307 S 5/2002 Pukall et al. D3/217
 6,383,163 B1 5/2002 Kelly et al. 604/74
 D459,075 S 6/2002 Pukall et al. D3/289
 6,427,475 B1 8/2002 DeFelice et al. 62/457.2
 6,481,986 B1 11/2002 Silver et al. 417/441
 D469,252 S * 1/2003 Su D3/289
 6,581,736 B1 * 6/2003 Scicluna 190/109
 2001/0038799 A1 11/2001 Silver et al. 417/515
 2002/0153074 A1 * 10/2002 Chen et al. 150/113
 2002/0170935 A1 11/2002 Annis 224/653
 2002/0189278 A1 12/2002 Defelice et al. 62/457.2

(75) Inventors: **Charles John Renz**, Briarcliff Manor, NY (US); **Chariklia Varellas**, Whitestone, NY (US)

(73) Assignee: **Playtex Products, Inc.**, Westport, CT (US)

(**) Term: **14 Years**

(21) Appl. No.: **29/196,930**

(22) Filed: **Jan. 7, 2004**

Related U.S. Application Data

(62) Division of application No. 29/173,357, filed on Dec. 27, 2002, now Pat. No. Des. 491,363.

(51) **LOC (8) Cl.** **03-01**

(52) **U.S. Cl.** **D3/319**

(58) **Field of Search** D3/318, 273, 274, D3/276, 283, 284; 206/545, 363, 364; 190/100, 110, 111, 109, 112; 604/74; 150/117; 383/220, 38

* cited by examiner

Primary Examiner—Philip S. Hyder
 (74) *Attorney, Agent, or Firm*—Ohlandt, Greeley, Ruggiero & Perle, LLP

(57) **CLAIM**

The ornamental design for a side compartment for a bag, as shown and described.

DESCRIPTION

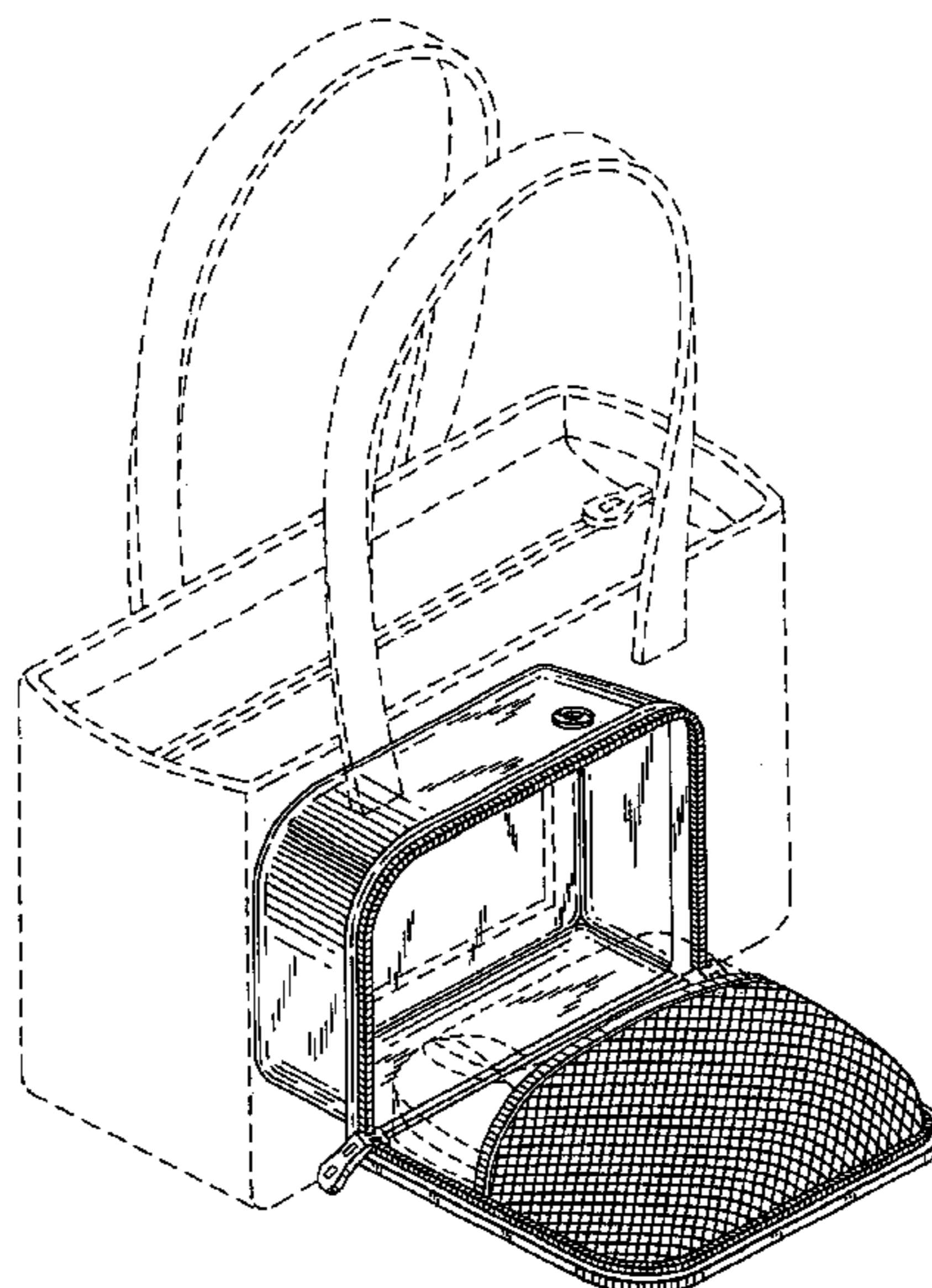
FIG. 1 is a front perspective view of a side compartment for a bag showing our design, with the side compartment in an open position;
 FIG. 2 is a front view of the side compartment of FIG. 1;
 FIG. 3 is a top view of the side compartment of FIG. 1;
 FIG. 4 is a bottom view of the side compartment of FIG. 1;
 FIG. 5 is a side view of the side compartment of FIG. 1, with the opposite side being a mirror image thereof; and,
 FIG. 6 is a front view of the side compartment of FIG. 1 in a closed position.
 The broken line showing in FIGS. 1 through 6 is for illustrative purposes only and forms no part of the claimed design.

(56) **References Cited**

U.S. PATENT DOCUMENTS

3,117,607 A 1/1964 Siegel 150/655
 4,050,493 A * 9/1977 Cho 150/106
 4,463,789 A 8/1984 Leiserson 383/97
 4,772,262 A 9/1988 Grant et al. 604/74
 4,961,522 A 10/1990 Weber 224/585
 D330,281 S * 10/1992 Siris D3/285
 5,315,084 A 5/1994 Jensen 219/689
 5,601,531 A 2/1997 Silver 604/74
 5,762,170 A 6/1998 Shyr et al. 190/109
 5,776,098 A 7/1998 Silver et al. 604/74
 5,797,875 A 8/1998 Silver 604/74
 6,213,268 B1 * 4/2001 Dancyger 190/110
 6,213,304 B1 4/2001 Juliussen 206/581

1 Claim, 6 Drawing Sheets



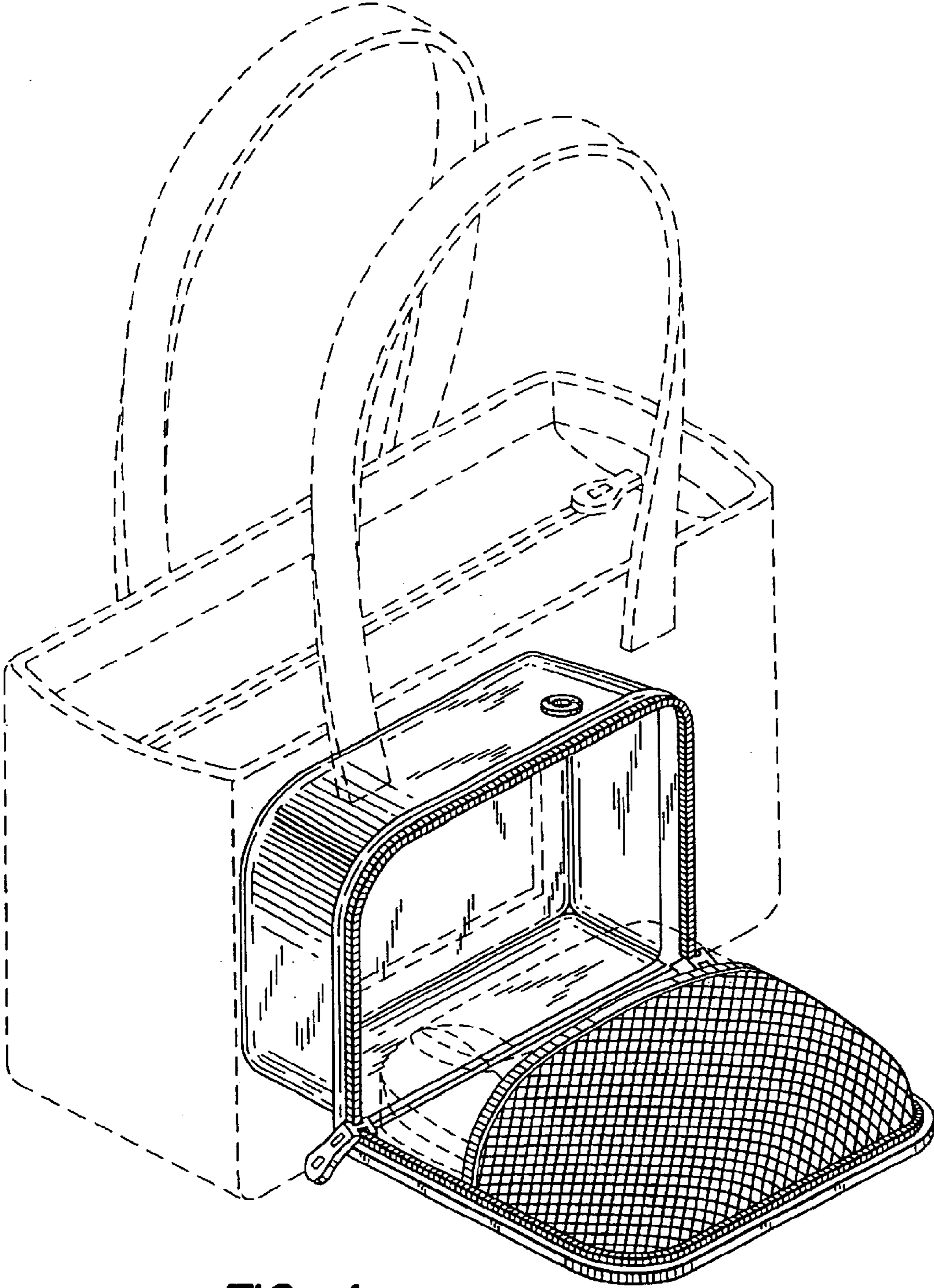


FIG. 1

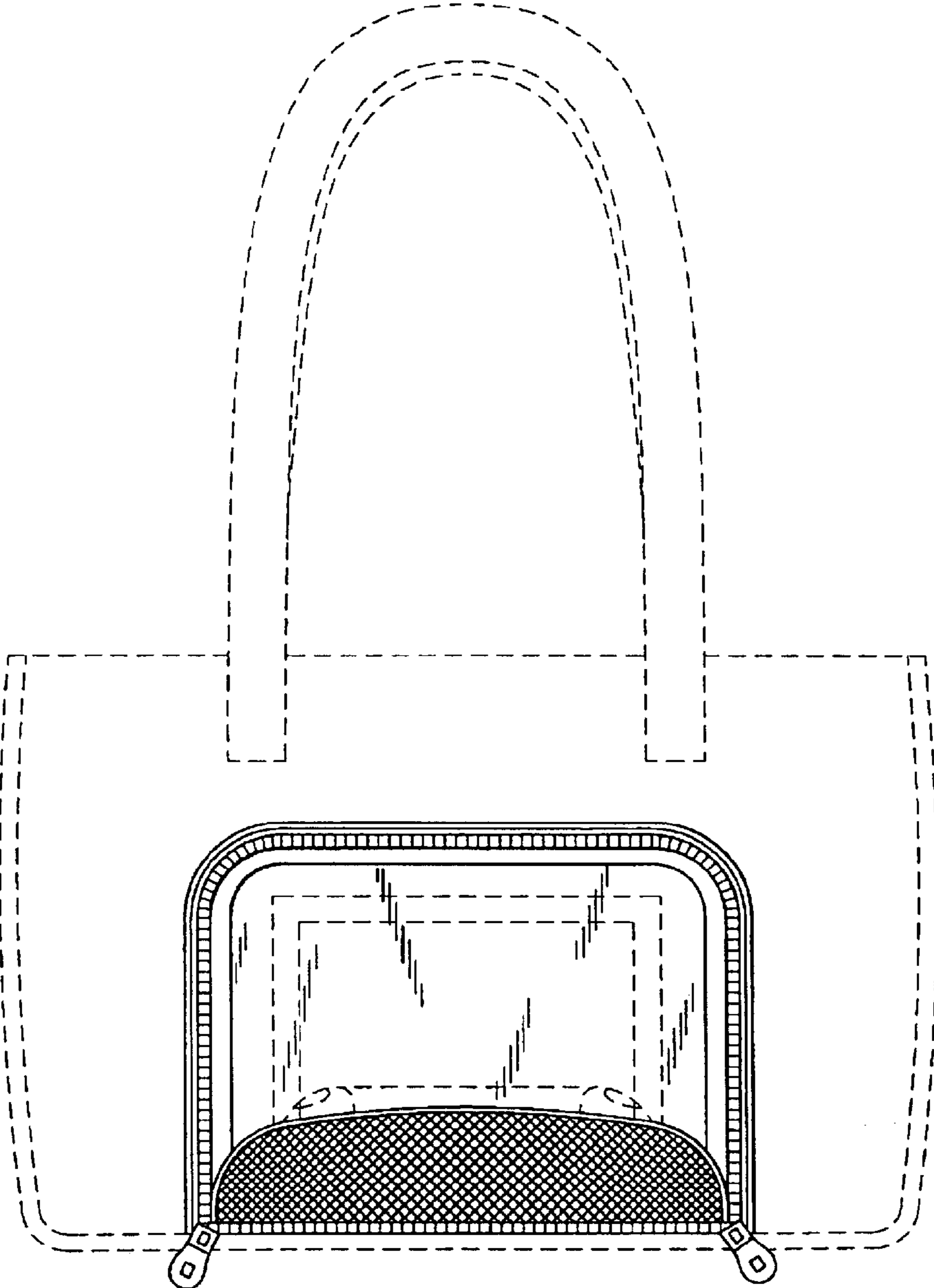


FIG. 2

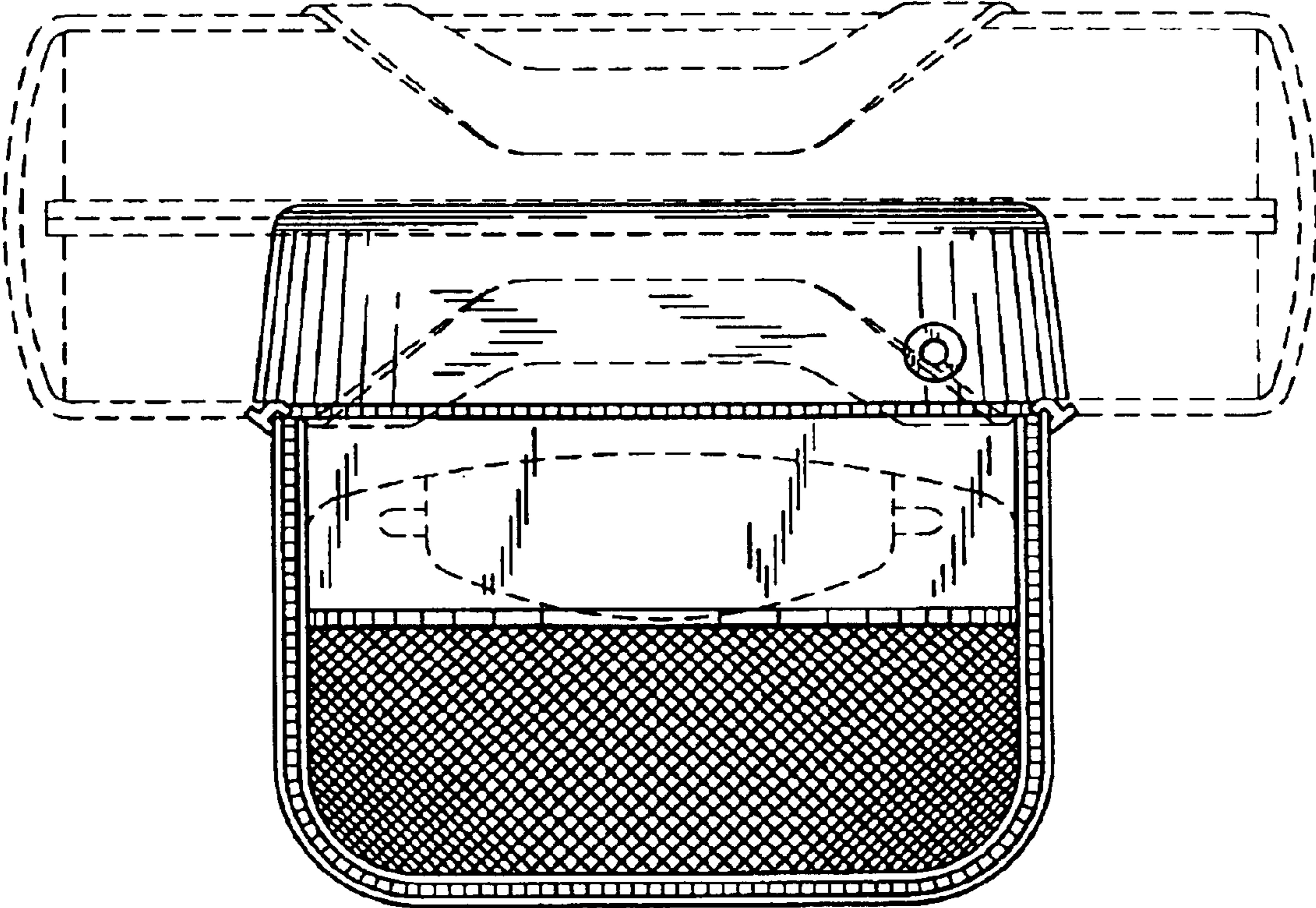


FIG. 3

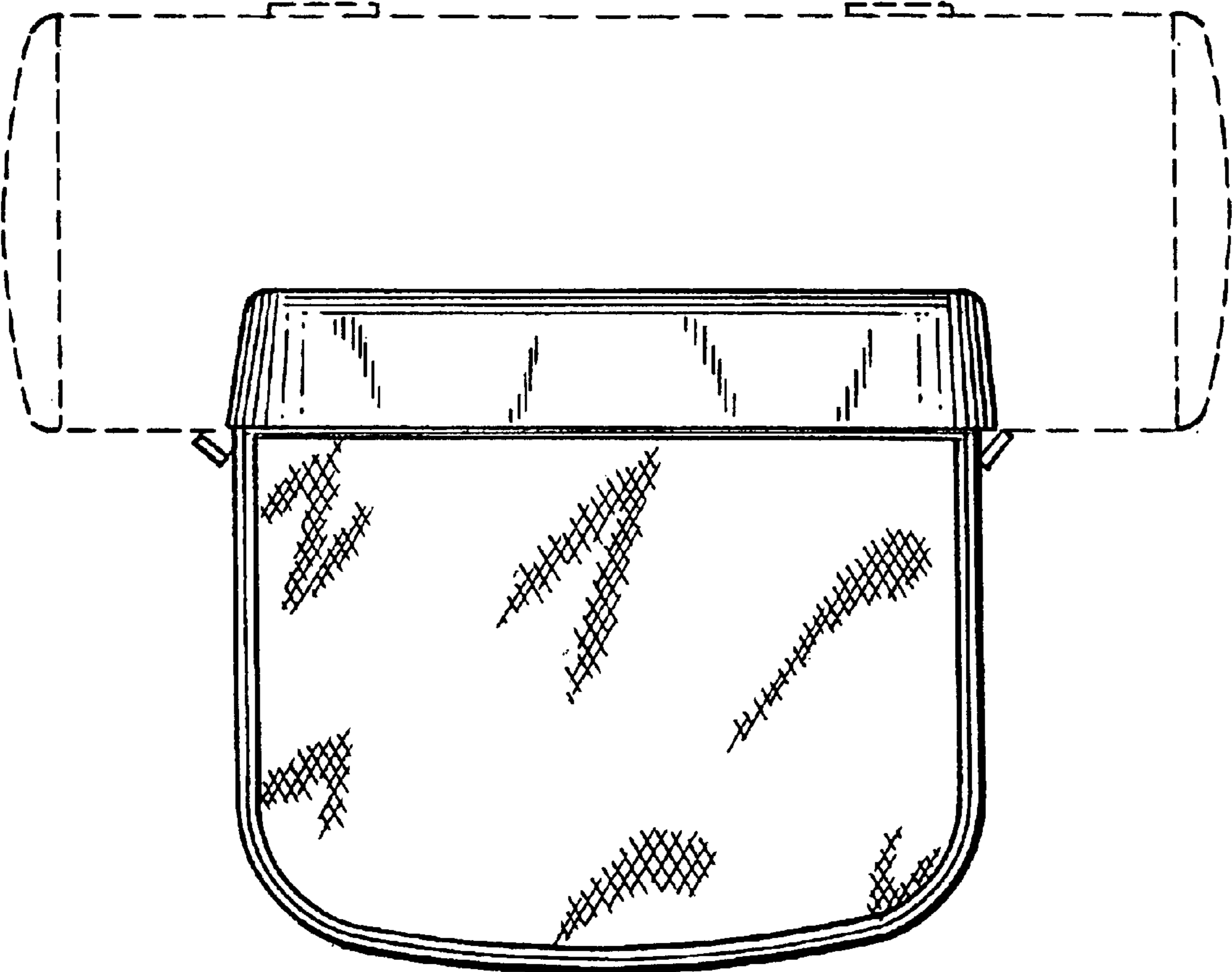


FIG. 4

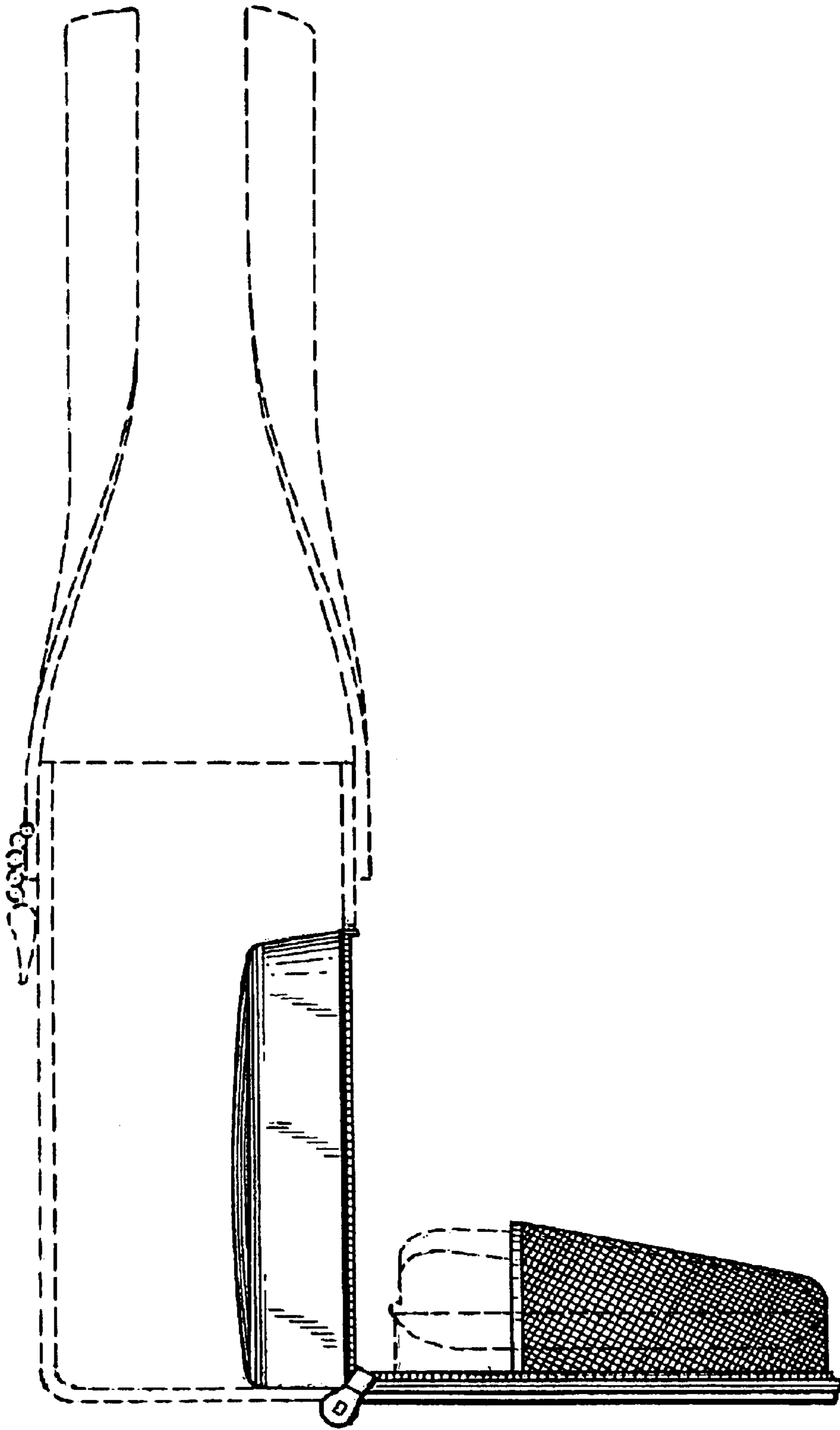


FIG. 5

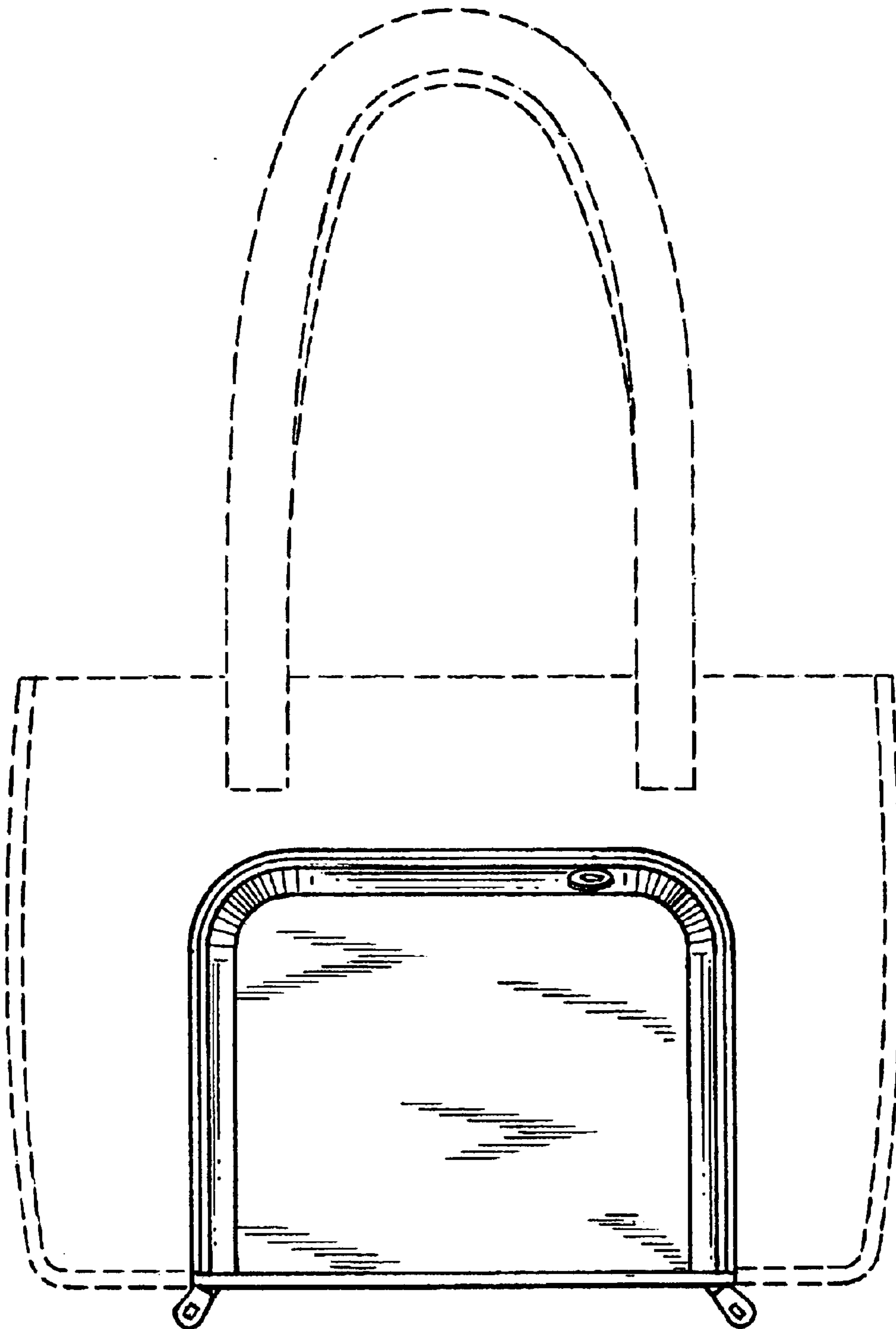


FIG. 6