

US00D507110S

(12) **United States Design Patent**  
**Hicks et al.**

(10) **Patent No.: US D507,110 S**  
(45) **Date of Patent: \*\* Jul. 12, 2005**

(54) **LANYARD CONNECTOR**

(76) Inventors: **Bryan K. Hicks**, 4875 Mountain La.,  
Salt Lake City, UT (US) 84124;  
**Brandon Robert Mackay**, 2243 E.  
3380 South, Salt Lake City, UT (US)  
84109

(\*\*) Term: **14 Years**

(21) Appl. No.: **29/201,485**

(22) Filed: **Mar. 16, 2004**

**Related U.S. Application Data**

(60) Division of application No. 09/931,392, filed on Aug. 16, 2001, and a continuation-in-part of application No. 09/931,658, filed on Aug. 16, 2001, now Pat. No. 6,711,785, which is a continuation-in-part of application No. 09/541,297, filed on Apr. 3, 2000, now abandoned, which is a continuation-in-part of application No. 09/538,956, filed on Mar. 31, 2000, now abandoned, which is a continuation-in-part of application No. 29/106,139, filed on Jun. 9, 1999, now Pat. No. Des. 437,485, which is a continuation-in-part of application No. 29/105,931, filed on Jun. 4, 1999, now Pat. No. Des. 422,142, and a continuation-in-part of application No. 29/105,930, filed on Jun. 4, 1999, now Pat. No. Des. 426,063.

(51) **LOC (8) Cl.** ..... **03-99**

(52) **U.S. Cl.** ..... **D3/318**

(58) **Field of Search** ..... D3/318, 328; 24/365 EC,  
24/365 H, DIG. 22, 588, 628, 639, 336,  
615, 625; 294/26, 149

(56) **References Cited**

**U.S. PATENT DOCUMENTS**

658,124 A 9/1900 Manes  
664,814 A 12/1900 Semple  
751,090 A 2/1904 Marold  
967,664 A 8/1910 Peterson  
1,565,392 A 12/1925 Powers ..... 24/265

(Continued)

**FOREIGN PATENT DOCUMENTS**

DE 3837261 5/1990 ..... 24/265  
EP 0 058 772 2/1985

(Continued)

**OTHER PUBLICATIONS**

Snuz USA Product Catalog, Jan. 1997.  
Snuz USA Product Catalog, Jan. 1999.

(Continued)

*Primary Examiner*—Robert A. Delehanty  
(74) *Attorney, Agent, or Firm*—Workman Nydegger

(57) **CLAIM**

The ornamental design for a lanyard connector, as shown and described.

**DESCRIPTION**

FIG. 1 is a perspective view of a lanyard connector of the present invention. A first attachment exploded from the lanyard connector and portions of a strap connected to the lanyard connector are shown in broken, phantom lines;

FIG. 2 is a top plan view of the lanyard connector of FIG. 1;

FIG. 3 is a side plan view of the lanyard connector of FIG. 1, the opposing side being the mirror image thereof;

FIG. 4 is a rear end view of the lanyard connector of FIG. 1;

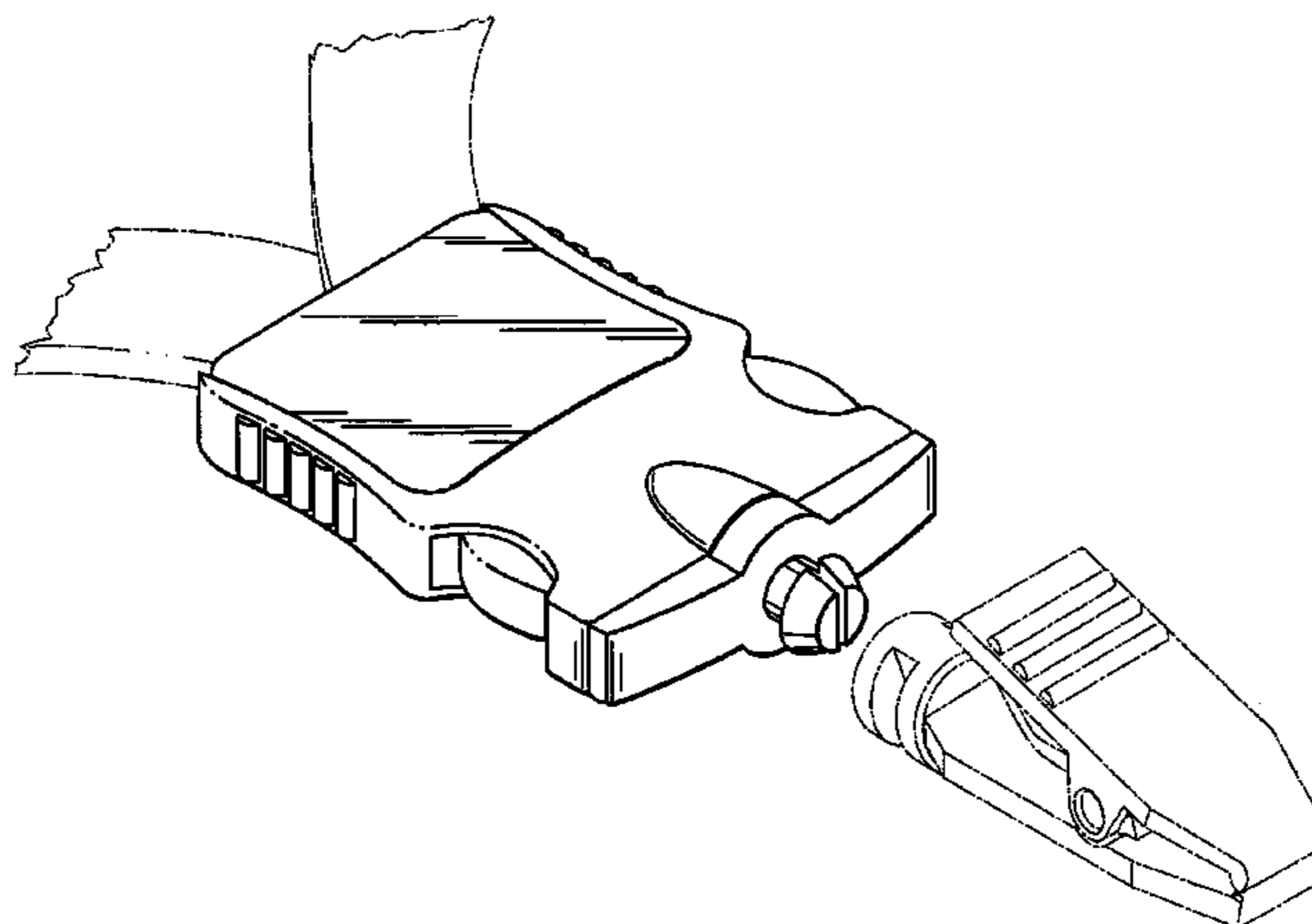
FIG. 5 is a front end view of the lanyard connector of FIG. 1;

FIG. 6 is a bottom plan view of the lanyard connector of FIG. 1; and,

FIG. 7 is another perspective view of the lanyard connector of FIG. 1. A strap and a second, alternate attachment are connected to the lanyard connector and are shown in broken, phantom lines.

The objects shown in broken, phantom lines are shown for environmental purposes only and form no part of the claimed design.

**1 Claim, 3 Drawing Sheets**





U.S. PATENT DOCUMENTS

1,879,991 A	9/1932	Pratt	24/115 G
2,412,895 A	12/1946	Lewis	87/8
2,539,922 A	1/1951	Nyberg	351/157
2,585,089 A	2/1952	Caldwell et al.	24/559
2,704,961 A	3/1955	Weil	351/157
2,481,946 A	9/1959	Pendleton	351/157
2,947,456 A	8/1960	Seron	224/258
3,397,026 A	8/1968	Spina	351/157
3,450,467 A	6/1969	Phillips	351/157
3,502,396 A	3/1970	Greenberg	351/157
3,551,963 A	1/1971	Mosher, Jr. et al.	24/618
3,600,917 A	8/1971	Krock	70/459
3,874,776 A	4/1975	Seron	351/123
3,879,804 A	4/1975	Lawrence	24/3.4
3,896,527 A	7/1975	Miller et al.	24/499
3,957,237 A	5/1976	Campbell	248/694
3,979,795 A	9/1976	Seron	24/3.3
4,136,934 A	1/1979	Seron	351/157
4,319,384 A	3/1982	Horne	24/3.6
4,379,358 A	4/1983	Wibrow	24/136 R
4,387,490 A	6/1983	Blackburn et al.	24/200
4,441,677 A	4/1984	Byerly	248/74.3
4,577,374 A	3/1986	Lii	24/165
4,586,499 A	5/1986	Kaletzky	602/78
4,692,970 A	9/1987	Anthony et al.	24/642
4,694,544 A	9/1987	Chapman	24/625
D296,726 S	7/1988	Katz	D3/61
4,788,755 A	12/1988	Kasai	24/136 R
4,790,646 A	12/1988	Seron	351/156
4,795,069 A	1/1989	Ferrill	224/202
4,868,954 A	9/1989	Kasai	24/601.2
4,909,298 A	3/1990	Langhart et al.	160/178.1 R
4,932,362 A	6/1990	Birchmire, III et al.	119/772
5,027,477 A	7/1991	Seron	24/3.4
5,113,556 A *	5/1992	Murai et al.	24/615
5,121,865 A	6/1992	Howard	224/253
5,127,137 A	7/1992	Krauss	24/265 R
5,136,756 A	8/1992	Krauss	24/265 H
5,146,657 A	9/1992	Frano	24/265 H
5,148,582 A	9/1992	Dennis, Jr.	24/625
5,191,363 A	3/1993	Smith et al.	351/62
5,216,786 A	6/1993	Anscher	24/200
5,224,245 A	7/1993	Matoba	24/115 G
5,274,887 A	1/1994	Fudaki	24/265 H
D347,766 S	6/1994	Kalat	D7/607
5,365,642 A	11/1994	Rekuc et al.	24/600.9
5,367,347 A	11/1994	Wilson et al.	351/156
5,379,496 A	1/1995	Krauss	24/625
1,130,438 A	3/1995	Schmidt	24/598.1
5,414,903 A	5/1995	Porteous	24/9
5,454,140 A	10/1995	Murai	24/136 R
5,465,472 A *	11/1995	Matoba	24/625
5,471,716 A	12/1995	Takahashi	24/615
5,475,901 A	12/1995	Anscher	24/265 H
5,477,593 A	12/1995	Leick	24/712.5
5,507,460 A	4/1996	Schneider	248/225.21
5,561,891 A *	10/1996	Hsieh	24/615
5,566,428 A	10/1996	Takahashi	24/265 H
5,582,337 A	12/1996	McPherson et al.	224/660
D381,805 S	8/1997	Case	D3/229
D381,891 S	8/1997	Anscher	D8/383
5,664,712 A	9/1997	Smrt	224/250
5,669,119 A	9/1997	Seron	24/265 H
5,671,508 A	9/1997	Murai	24/115 K
5,689,860 A	11/1997	Matoba et al.	24/115 F
5,740,952 A	4/1998	Huckenbeck	224/271
D394,548 S	5/1998	Lee	D3/221
5,772,090 A	6/1998	Rodriguez	224/251
5,832,573 A	11/1998	Howell	24/664
5,842,256 A	12/1998	Anscher	24/3.4

5,855,057 A	1/1999	Anscher	24/614
D405,723 S	2/1999	Anscher	D11/216
D405,724 S	2/1999	Anscher	D11/216
D405,725 S	2/1999	Anscher	D11/216
5,893,199 A	4/1999	Anscher	24/625
5,894,639 A	4/1999	Boden et al.	24/115 G
5,930,874 A	8/1999	Yamazaki et al.	24/429
5,933,925 A	8/1999	Anscher et al.	24/163 R
5,953,798 A *	9/1999	Matoba et al.	24/615
5,974,637 A	11/1999	Tracy et al.	24/633
6,000,109 A	12/1999	Anscher	24/614
6,003,928 A	12/1999	Curtindale	296/97.9
D420,800 S	2/2000	Hicks et al.	D3/318
6,029,850 A	2/2000	Pate et al.	221/64
D422,142 S *	4/2000	Hicks et al.	D3/318
6,044,527 A	4/2000	Ishida et al.	24/129 R
D426,063 S *	6/2000	Hicks et al.	D3/318
6,161,266 A	12/2000	Anscher	24/625
D437,485 S *	2/2001	Hicks et al.	D3/318
6,182,334 B1	2/2001	Davancens	24/3.3
6,209,176 B1	4/2001	Anscher	24/429
6,226,844 B1	5/2001	Lerra et al.	24/625
6,711,785 B1	3/2004	Hicks et al.	24/3.4
2002/0148078 A1	10/2002	Salentine et al.	24/115
2003/0033697 A1	2/2003	Hicks et al.	24/615

FOREIGN PATENT DOCUMENTS

FR	2746933	10/1997	
GB	891022	3/1962	
GB	2268050	1/1994	
JP	411-103910	8/1999	24/429

OTHER PUBLICATIONS

- Snugz USA Product Catalog, Jan. 2000.
- Fields 2000 Collection Eyewear and Outdoor Accessories & Gifts, available on information and belief, at least as early as Jan. 2000.
- Duraflex 2000 Brochure, National Molding Corporation, Copyright 1999.
- U.S. Provisional Patent Application to Hicks, et al., Ser. No. 60/088,262, filed Jun. 5, 1998.
- Snugz USA, Inc. Website, dated Oct. 3, 2000.
- EK Ekcessories, Inc. Website, dated Apr. 4, 2000.
- Photographs (taken October, 2000) of lanyard, on information and belief, sold after Jun. 1998 and prior to Mar. 31, 2000, with attachment member selectively coupled thereto.
- Disclosure Relating to Lanyards and Attachments Sold, on Information and belief prior to Mar. 1999, pp. 1-2.
- Page 6/14, demonstrating, on information and belief, slide attachment and lanyard connector referred to in Disclosure Relating to Lanyards and Attachments Sold, pp. 1-2, which were sold, on information and belief, prior to Mar. 1999.
- U.S. Design Patent Application to Hicks, et al., Ser. No. 29/105,931, filed Jun. 4, 1999.
- Notice of Allowance for U.S. Design Patent Application to Hicks, et al., Ser. No. 29/105,931, filed Jun. 4, 1999.
- U.S. Design Patent Application to Hicks et al., Ser. No. 29/105,930, filed Jun, 4, 1999.
- Notice of Allowance for U.S. Design Patent Application to Hicks et al., Ser. No. 29/105,930, filed Jun. 4, 1999.
- Snugz USA Product Catalog, 2002.
- U.S. Design Patent Application to Hicks, et al., Ser. No. 29/106,139, filed Jun. 9, 1999.

# US D507,110 S

Page 3

---

Notice of Allowance for U.S. Design Patent Application to Hicks, et al., Ser. No. 29/106,139, filed Jun. 9, 1999. Amendment "A" pp. 1, 8, Remarks, Disclosures relating to lanyards sold on information and belief, prior to Mar., 1999, filed in U.S. priority patent application No. 09/931,658.

U.S. priority Appl.No. 09/541,297, filed Apr. 3, 2000 in the U.S. Patent and Trademark Office.

\* cited by examiner

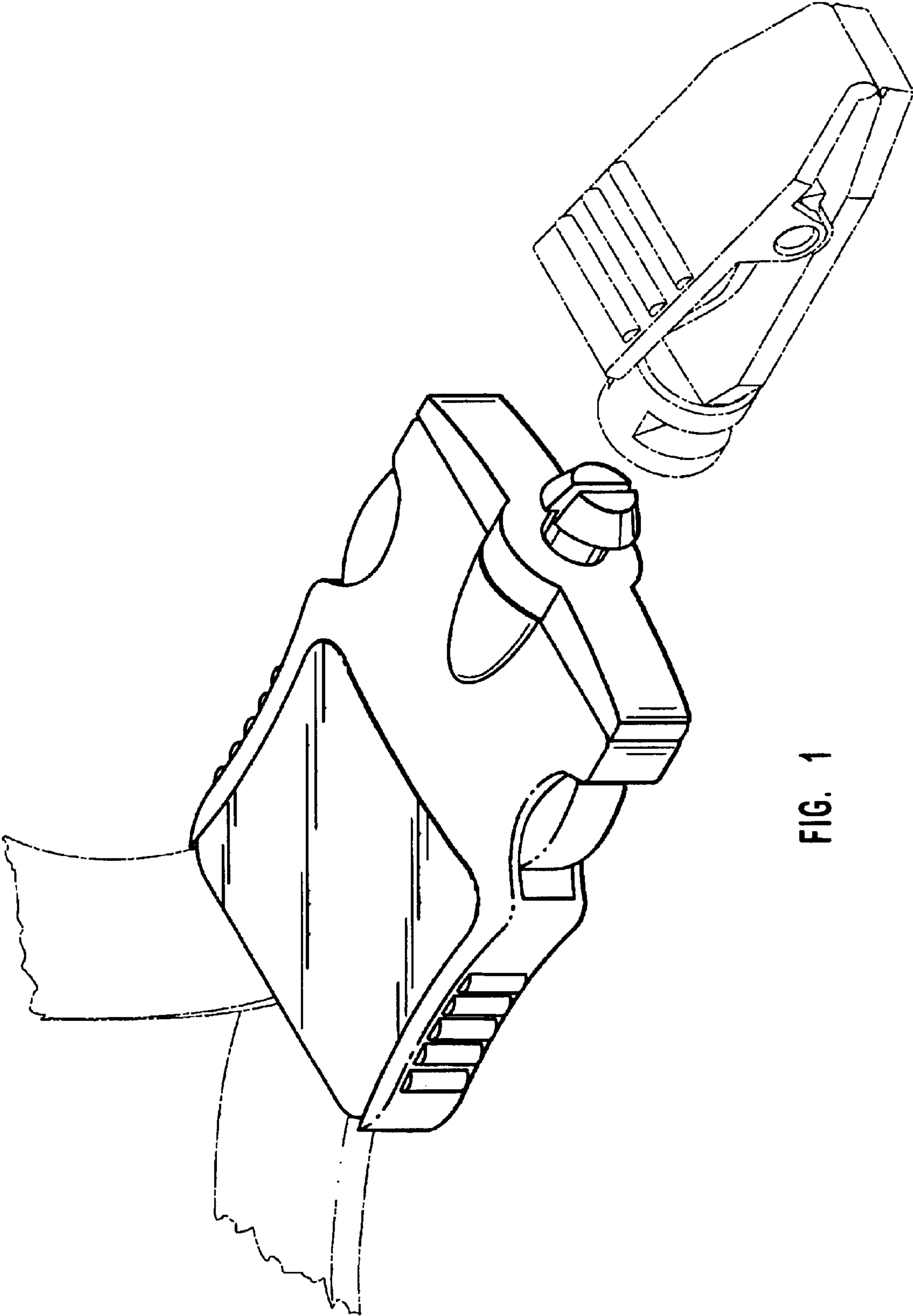


FIG. 1

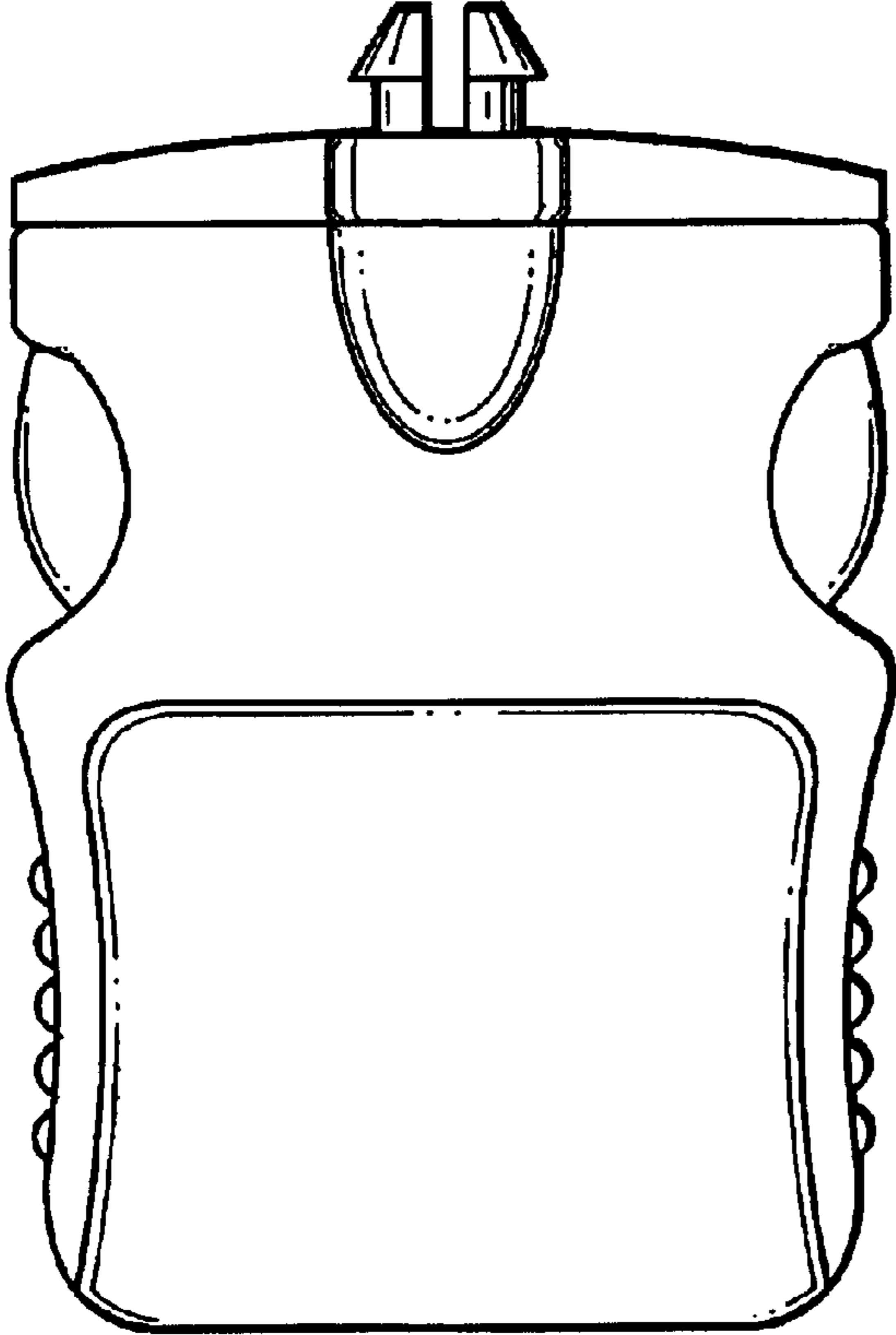


FIG. 2

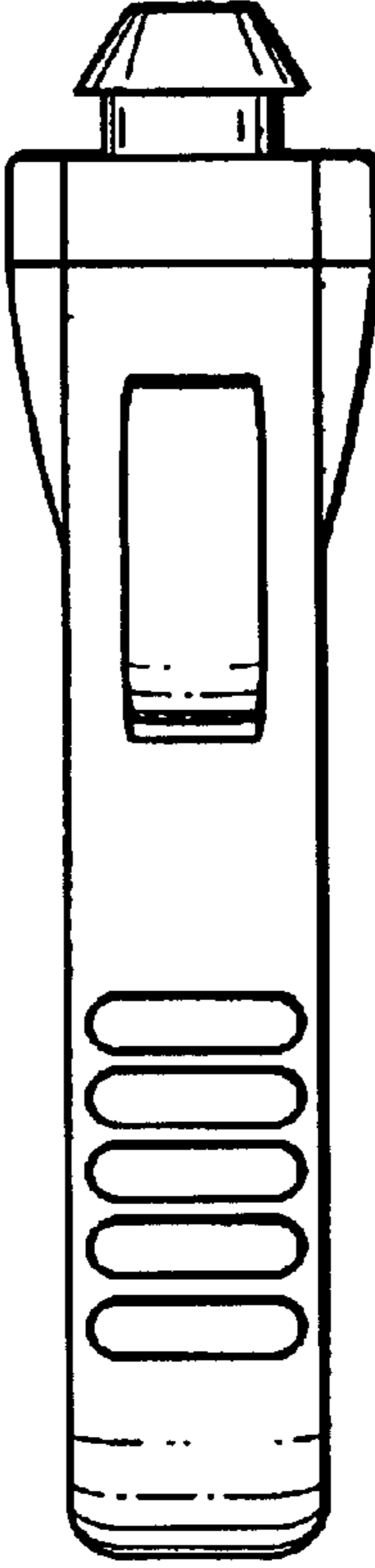


FIG. 3

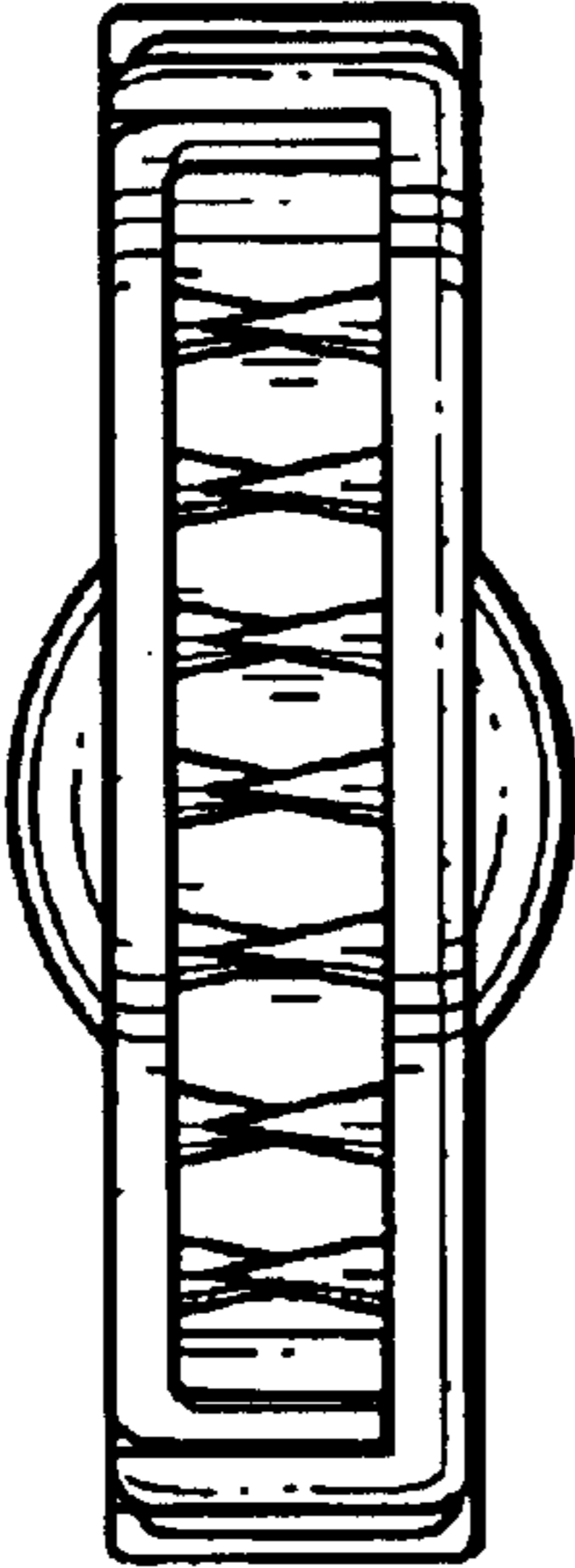


FIG. 4

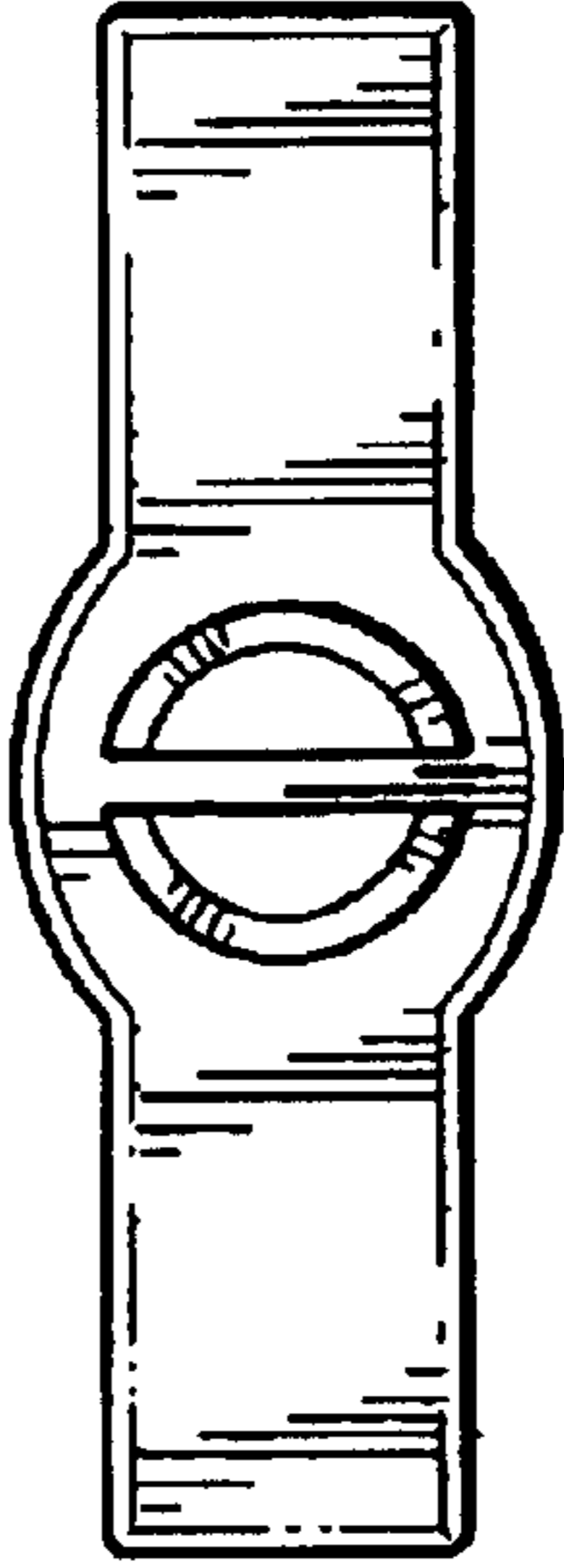


FIG. 5



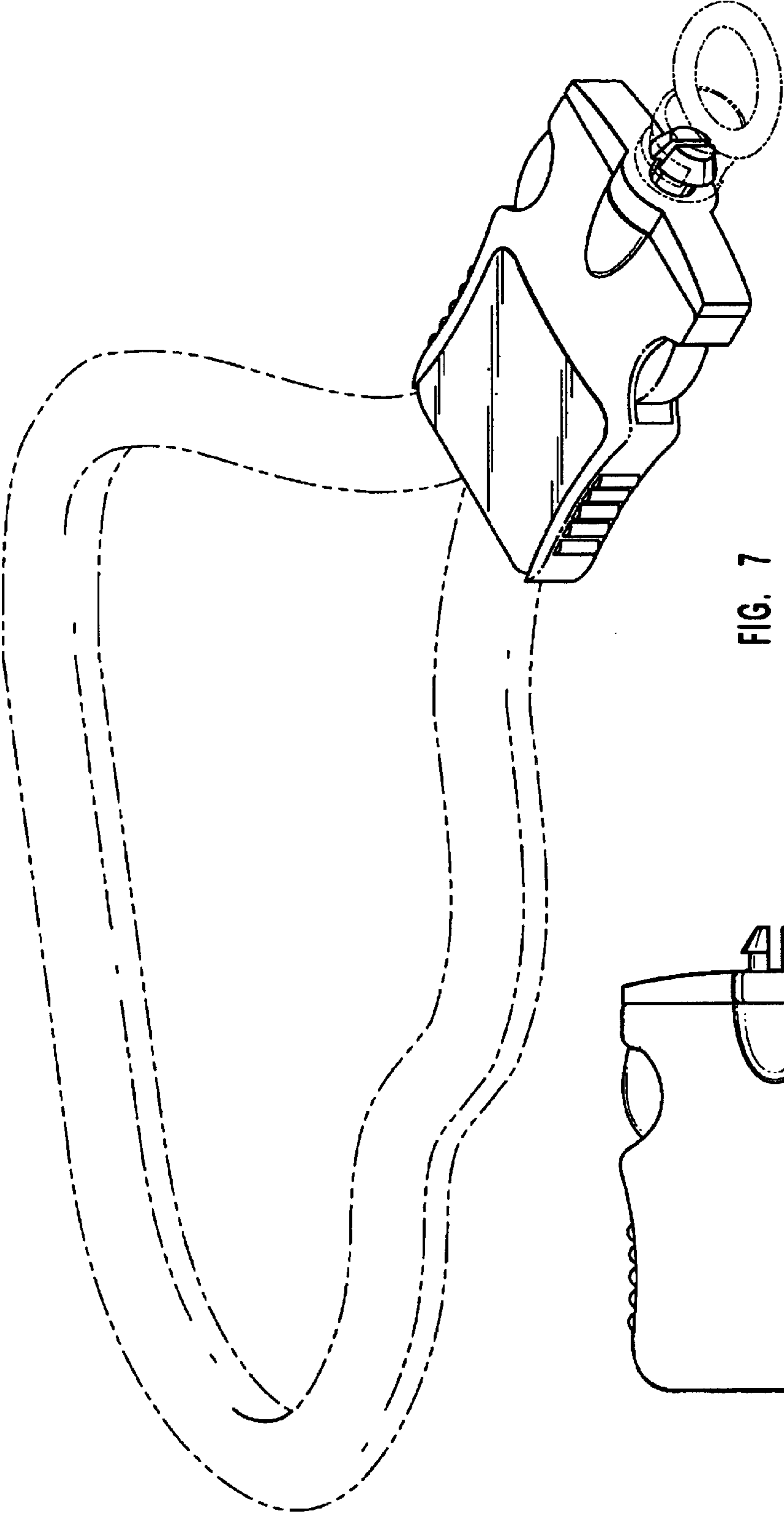


FIG. 7

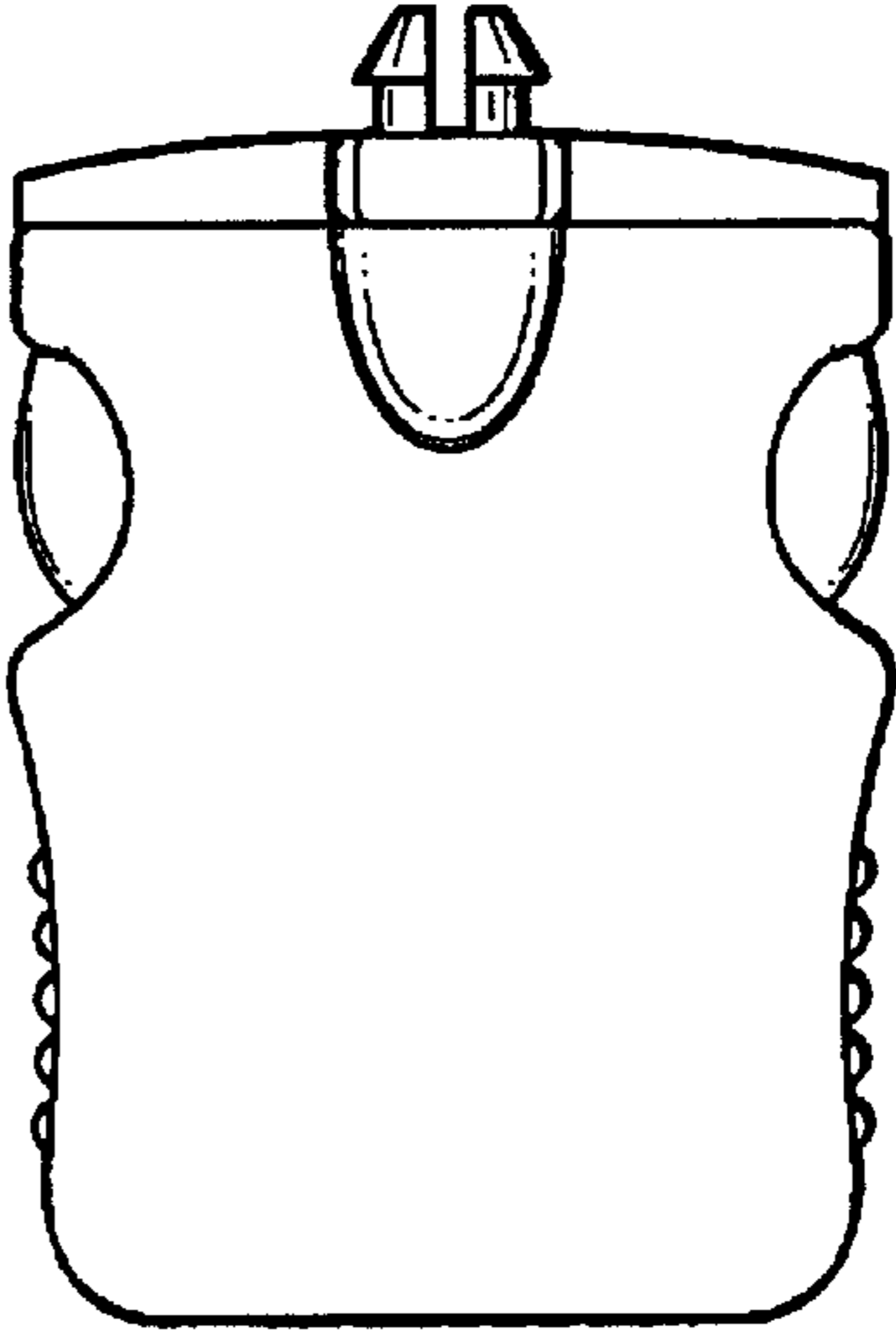


FIG. 6

UNITED STATES PATENT AND TRADEMARK OFFICE  
**CERTIFICATE OF CORRECTION**

PATENT NO. : Des. 507,110 S  
APPLICATION NO. : 29/201485  
DATED : July 12, 2005  
INVENTOR(S) : Hicks et al.

Page 1 of 1

It is certified that error appears in the above-identified patent and that said Letters Patent is hereby corrected as shown below:

Title Page

Item [56], U.S. PATENT DOCUMENTS, Pat. No. 658,124, change "Manes" to  
--Semple--

Item [56], U.S. PATENT DOCUMENTS, Pat. No. 664,814, change "Semple" to  
--Manes--

Title Page

Page 2

Item [56], U.S. PATENT DOCUMENTS, Pat. No. 2,481,946, change "9/1959" to  
--9/1949--

Item [56], U.S. PATENT DOCUMENTS, Pat. No. 1,130,438, change "3/1995" to  
--3/1915--

Signed and Sealed this

Nineteenth Day of December, 2006

A handwritten signature in black ink on a light gray dotted background. The signature reads "Jon W. Dudas" in a cursive style.

JON W. DUDAS

*Director of the United States Patent and Trademark Office*