



US00D507109S

(12) **United States Design Patent**  
**Burgess et al.**

(10) **Patent No.:** **US D507,109 S**  
(45) **Date of Patent:** **\*\* Jul. 12, 2005**

(54) **DUAL POLE TOWING ARM**

D491,359 S \* 6/2004 Oh ..... D3/279

(75) Inventors: **Andrew A. Burgess**, St. Louis, MO (US); **Mark Nordstrom**, Brentwood, TN (US)

\* cited by examiner

*Primary Examiner*—Catherine R. Oliver  
*Assistant Examiner*—Monica A. Weingart

(73) Assignee: **TRG Accessories, L.L.C.**, St. Louis, MO (US)

(74) *Attorney, Agent, or Firm*—Armstrong Teasdale LLP

(\*\*) Term: **14 Years**

(57) **CLAIM**

The ornamental design for a dual pole towing arm, as shown and described.

(21) Appl. No.: **29/178,489**

**DESCRIPTION**

(22) Filed: **Mar. 25, 2003**

(51) **LOC (8) Cl.** ..... **03-01**

FIG. 1 provides a perspective view of the dual pole towing arm.

(52) **U.S. Cl.** ..... **D3/318**

FIG. 2 provides a front view of the dual pole towing arm with the handle rotated.

(58) **Field of Search** ..... D3/279, 282, 318, D3/328, 324; D8/302, 306, 316, 317, 319, 320; D34/24, 26; 190/18 A, 39, 102, 103, 111, 115; 280/37, 47.26, 655, 655.1; 16/110.1, 113.1, 114.1, 405, 406, 408, 445, 421, 422, 429, 430, 431

FIG. 3 provides a rear view of the dual pole towing arm with the handle aligned.

FIG. 4 provides a right side view of the dual pole towing arm.

(56) **References Cited**

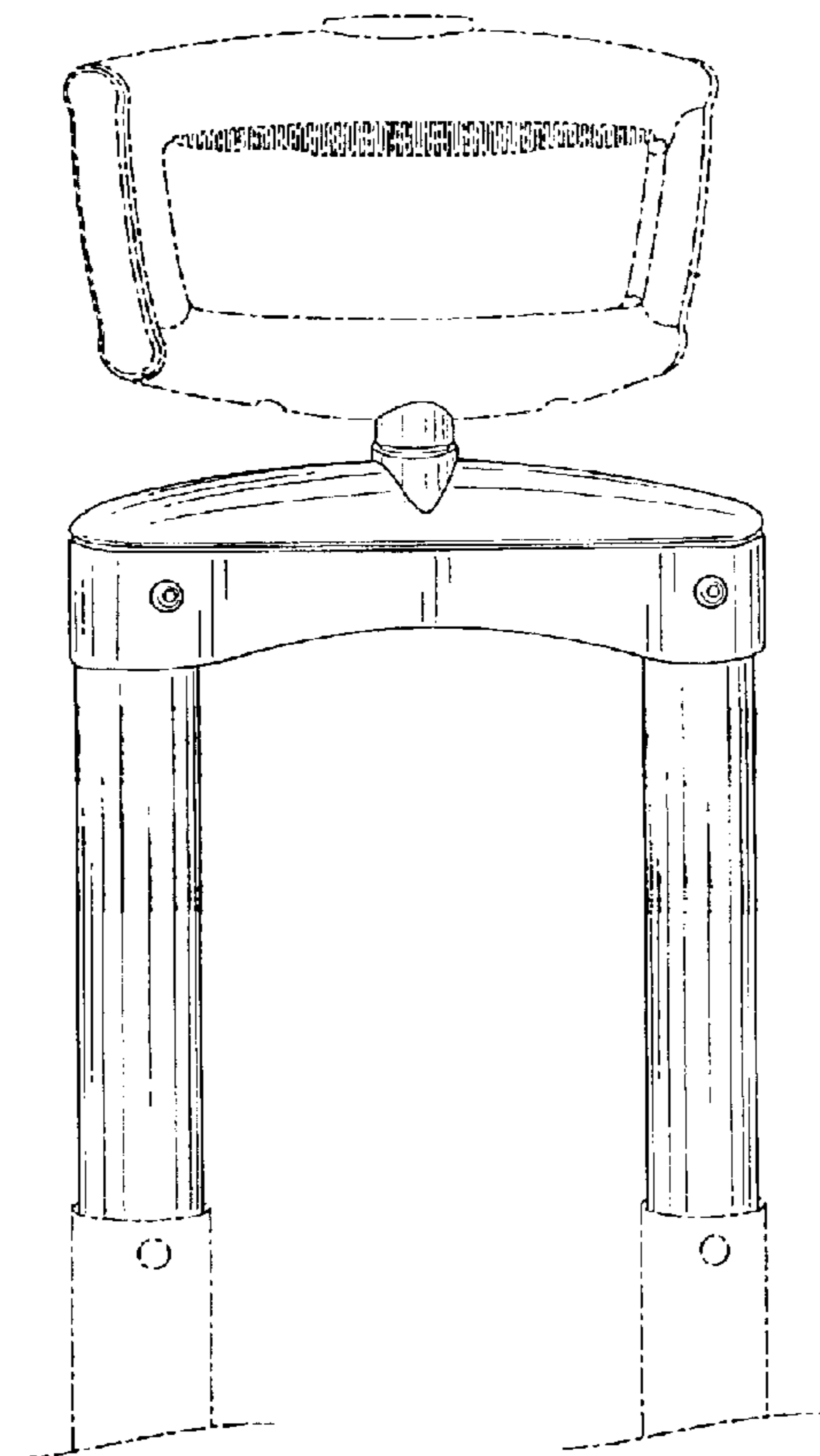
**U.S. PATENT DOCUMENTS**

5,653,319 A \* 8/1997 Wang ..... 190/18 A  
D411,679 S \* 6/1999 Hsieh et al. .... D34/24  
6,401,888 B1 \* 6/2002 Kuo ..... 190/18 A  
D468,882 S \* 1/2003 Hsieh et al. .... D34/24  
D486,647 S \* 2/2004 Nordstrom et al. .... D3/318

FIG. 5 provides a left side view of the dual pole towing arm.  
FIG. 6 provides a bottom view of the dual pole towing arm; and,

FIG. 7 provides a top view of the dual pole towing arm.  
The broken lines showing the towing handle and the extensions are only for illustrative purposes to show the environment of the invention and form no part of the invention.

**1 Claim, 5 Drawing Sheets**



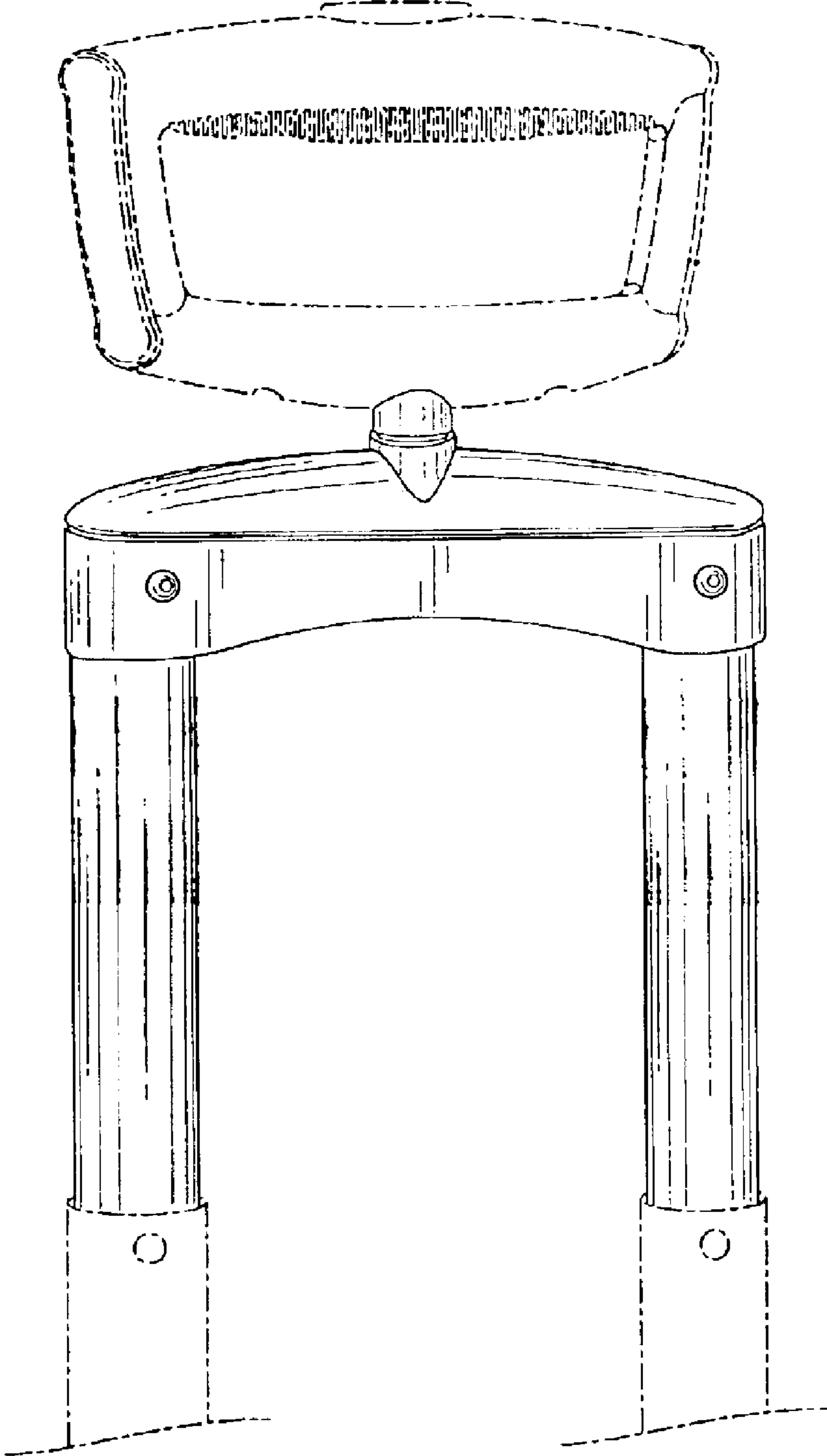


FIG. 1

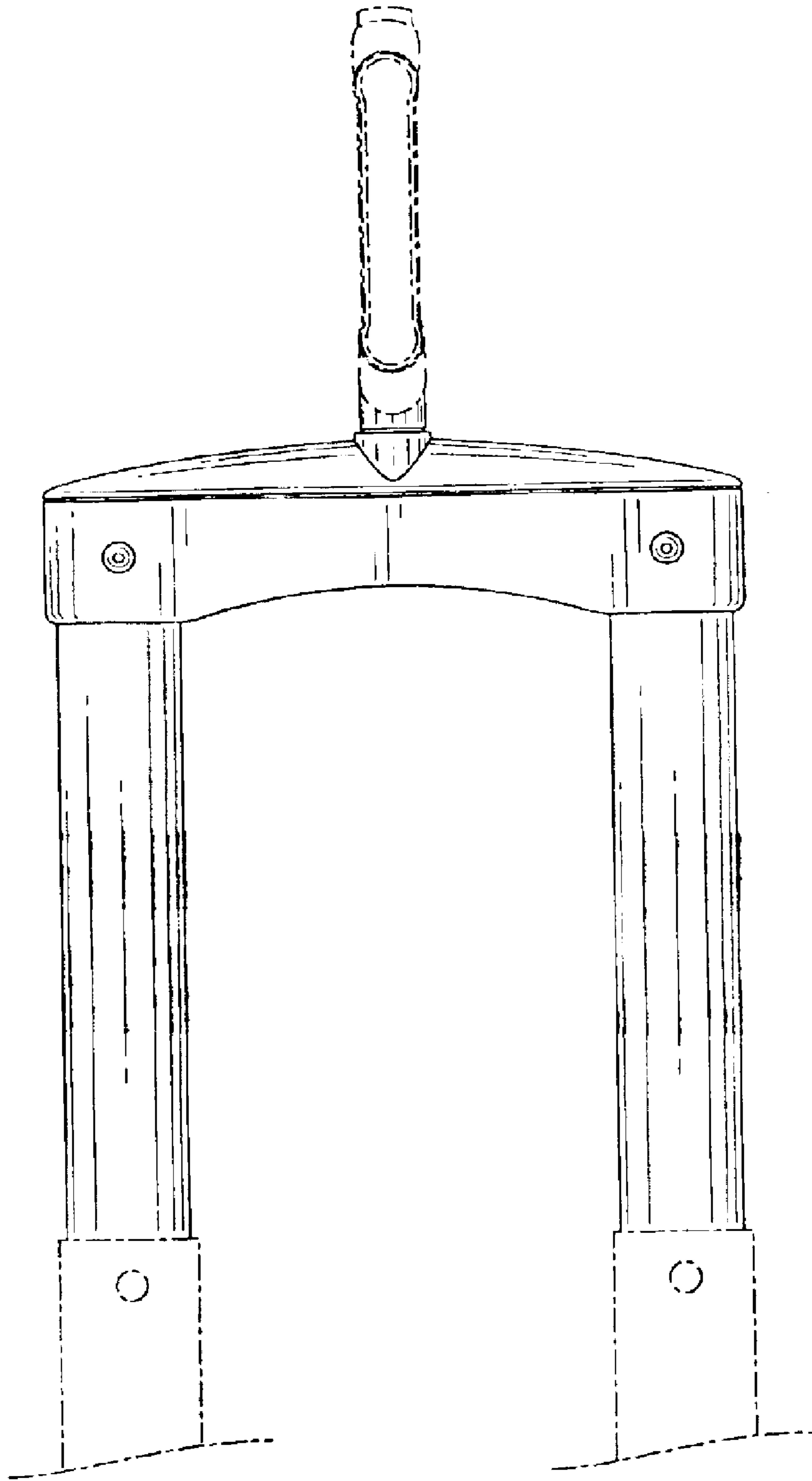


FIG.2

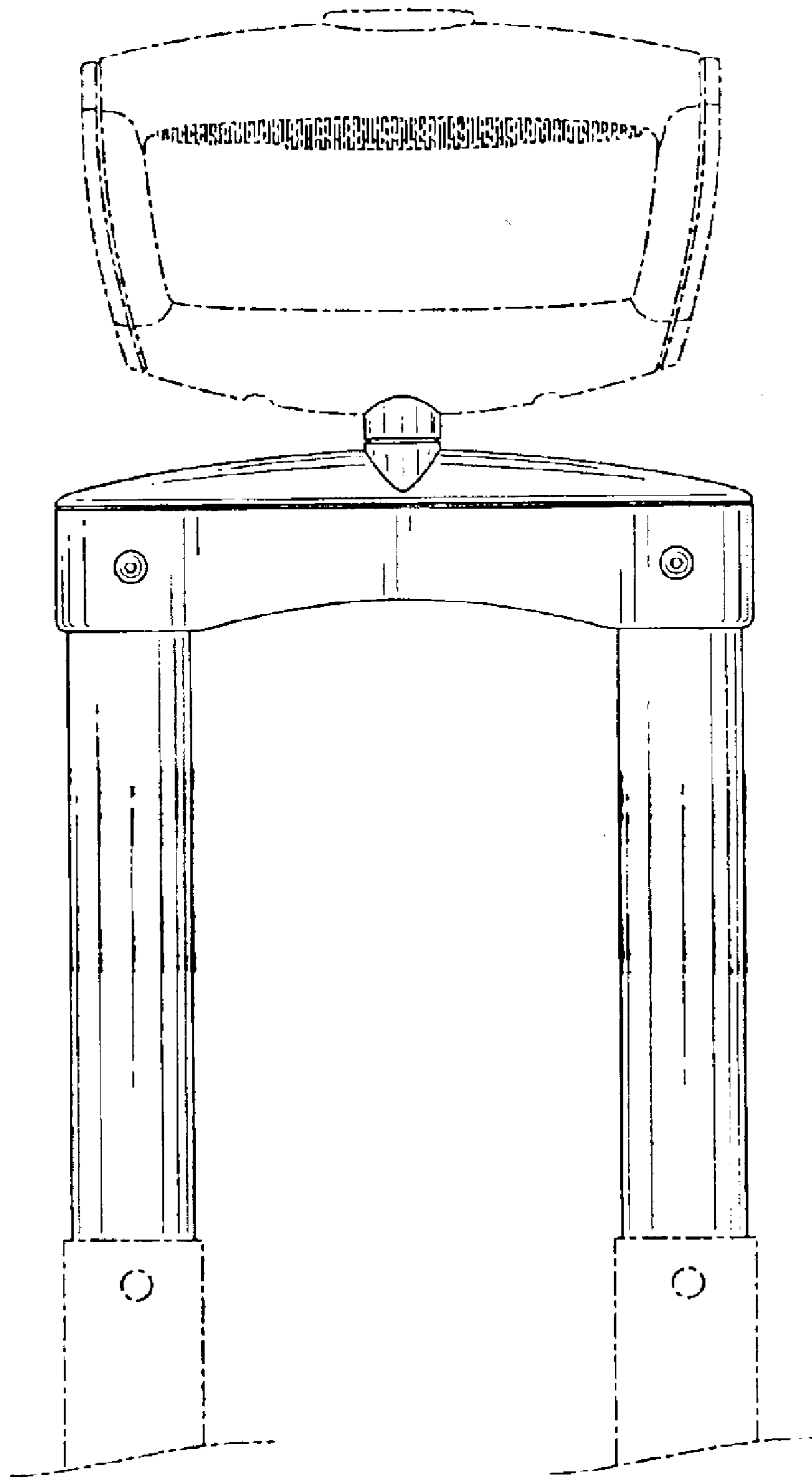


FIG.3

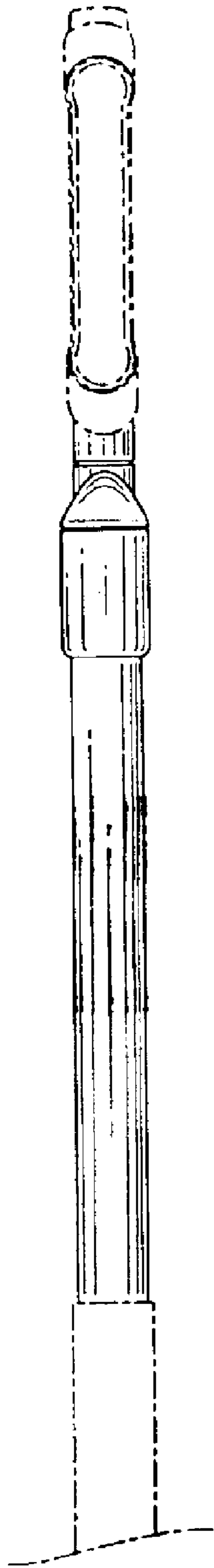


FIG. 4

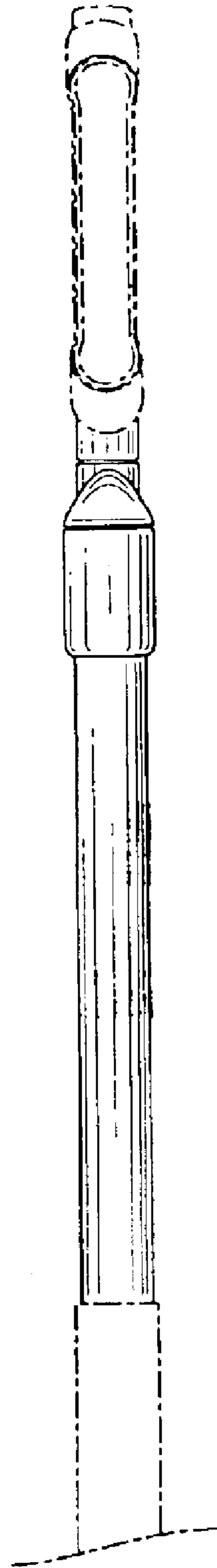


FIG. 5



FIG. 6

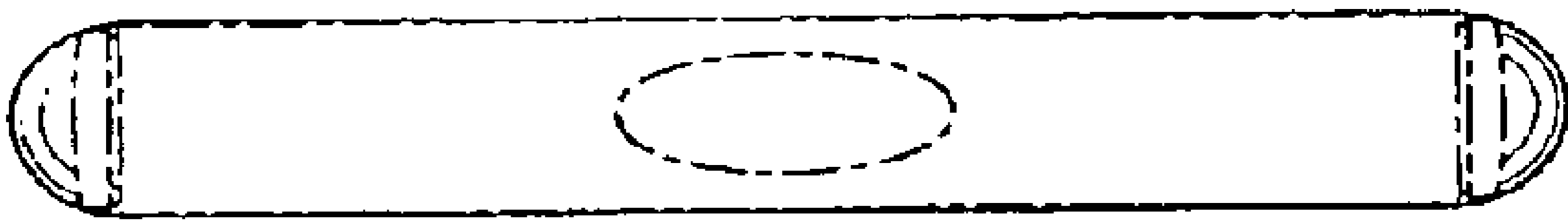


FIG. 7