

US00D507108S

(12) **United States Design Patent**  
**Suero, Jr.**

(10) **Patent No.:** **US D507,108 S**  
(45) **Date of Patent:** **\*\* Jul. 12, 2005**

(54) **WIRE BASKET**

D477,144 S \* 7/2003 Remmers ..... D3/306

(75) Inventor: **Jose Suero, Jr.**, Newark, DE (US)

\* cited by examiner

(73) Assignee: **Zenith Products Corp.**, New Castle, DE (US)

*Primary Examiner*—Louis S. Zarfaz

*Assistant Examiner*—John Windmuller

(\*\*) Term: **14 Years**

(74) *Attorney, Agent, or Firm*—Edgar A. Zarins; Lloyd D. Doigan

(21) Appl. No.: **29/200,020**

(57) **CLAIM**

(22) Filed: **Feb. 23, 2004**

The ornamental design for a wire basket, as shown and described.

(51) **LOC (8) Cl.** ..... **03-01**

(52) **U.S. Cl.** ..... **D3/304; D3/306; D6/566**

(58) **Field of Search** ..... D3/304–315; D6/566, D6/567, 525, 537, 540, 574, 572, 511; 206/202, 513, 557; 211/13.1, 41.3, 41.4, 86.01, 88.01, 134, 126.1, 181.1; 248/302; 220/485, 488

**DESCRIPTION**

FIG. 1 is a perspective view of a wire basket showing my new design;

FIG. 2 is a front elevational view thereof;

FIG. 3 is a left end view thereof; the opposite end being a mirror image of the end shown; and,

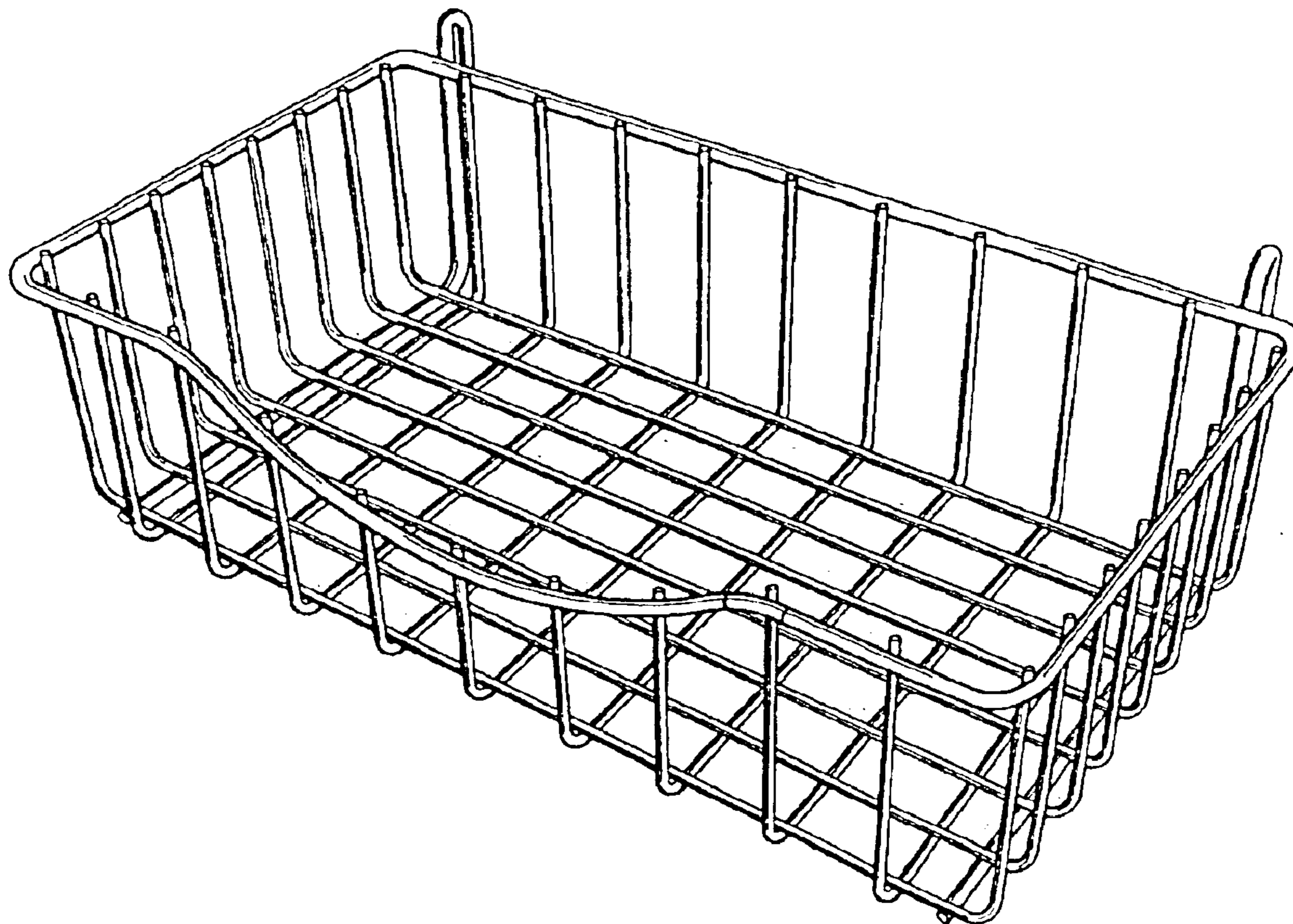
FIG. 4 is a top plan view thereof.

(56) **References Cited**

**U.S. PATENT DOCUMENTS**

D296,601 S \* 7/1988 Chap ..... D3/306

**1 Claim, 2 Drawing Sheets**



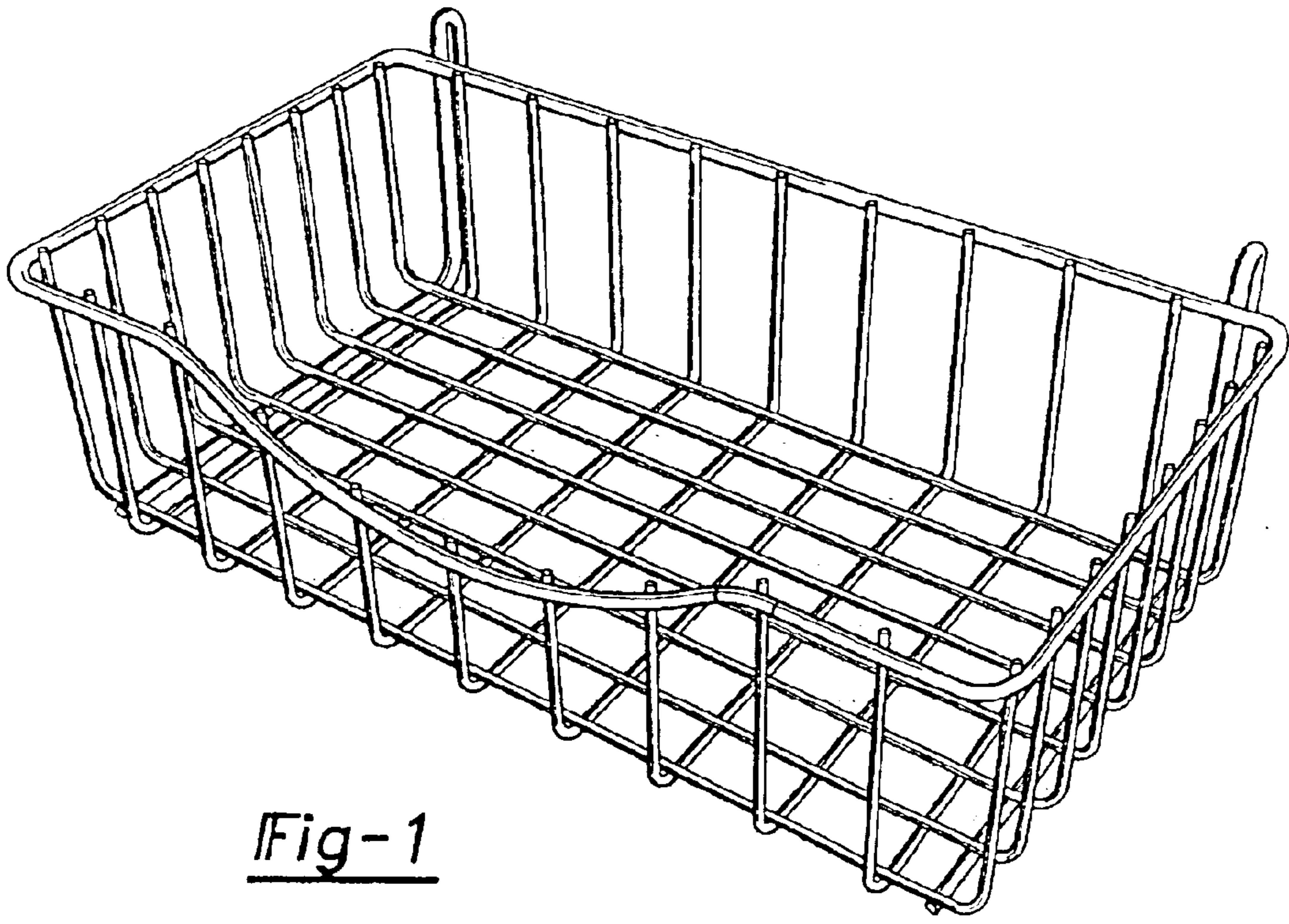


Fig-1

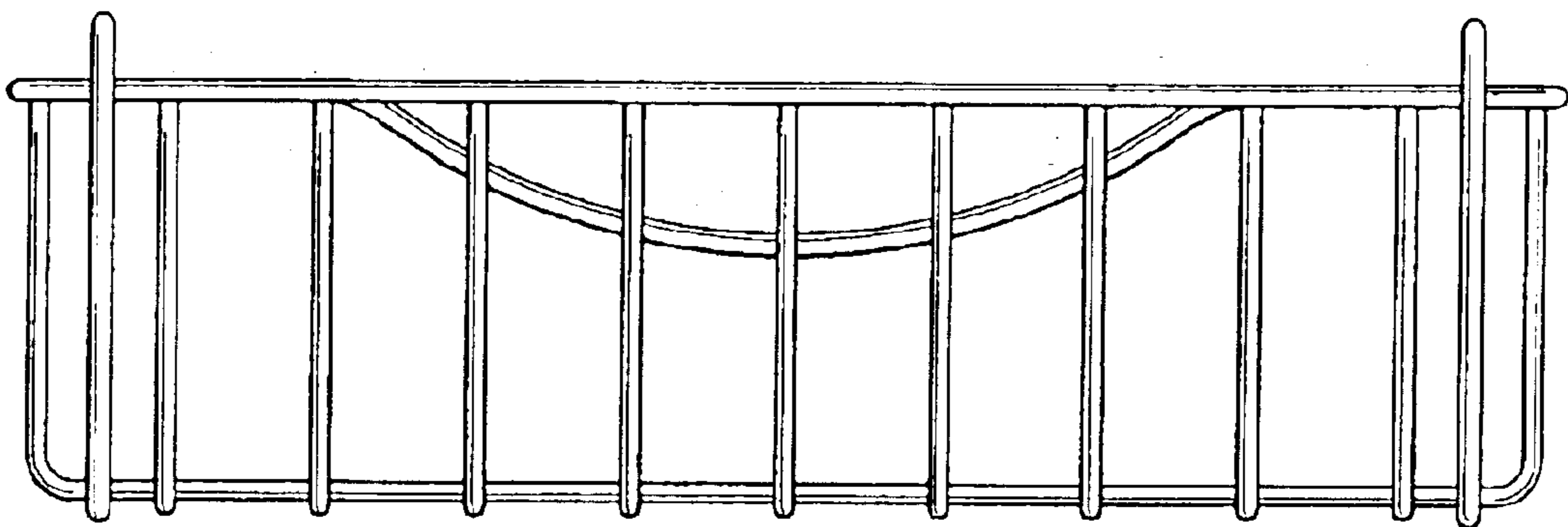


Fig-2

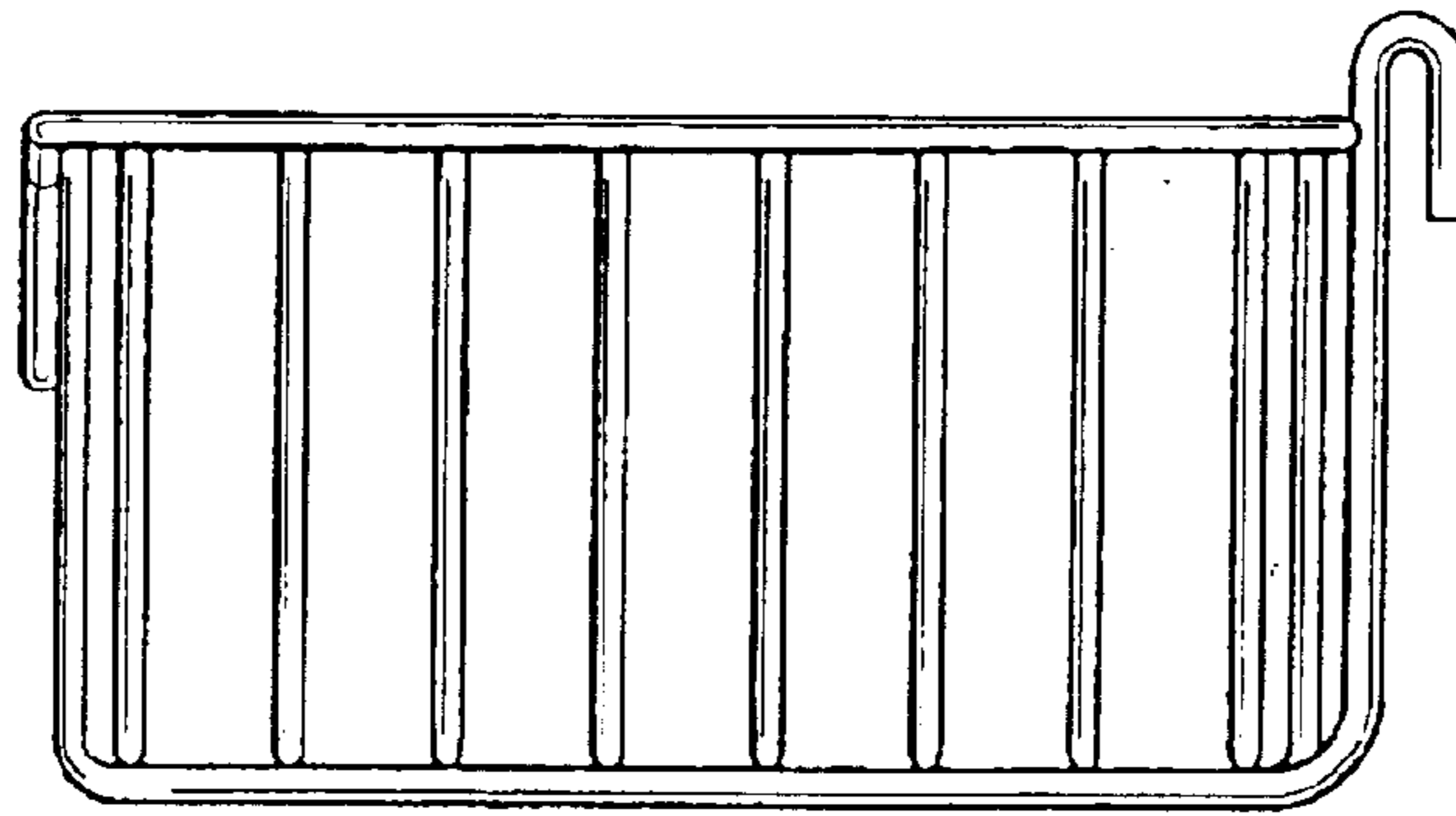


Fig-3

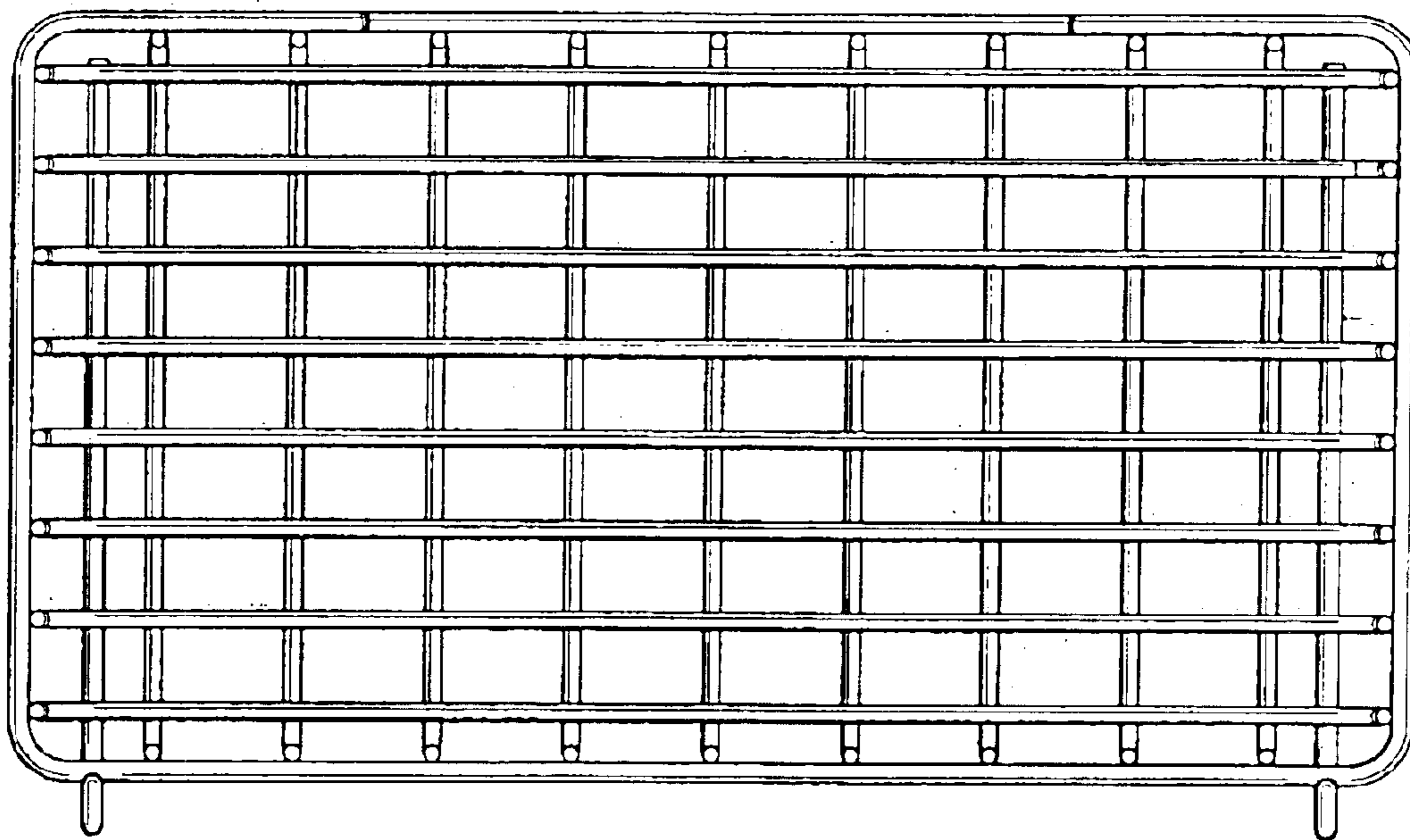


Fig-4