

US00D507105S

(12) **United States Design Patent**
Armstrong

(10) **Patent No.:** **US D507,105 S**
(45) **Date of Patent:** **** Jul. 12, 2005**

- (54) **BELT HOOK**
- (75) Inventor: **William Edward Armstrong, Barrie (CA)**
- (73) Assignee: **Hiphook Inc., Newmarket (CA)**
- (**) Term: **14 Years**
- (21) Appl. No.: **29/202,409**
- (22) Filed: **Mar. 31, 2004**
- (51) **LOC (8) Cl.** **03-01**
- (52) **U.S. Cl.** **D3/228**
- (58) **Field of Search** D3/228, 215, 221, D3/224, 226; 224/901, 904, 240, 245, 268, 666, 683; D8/373; 24/3.6, 3.11, 3.12

5,248,072 A	9/1993	Jones	224/247
5,489,051 A	2/1996	Robinson	224/148
5,497,921 A	3/1996	Dancyger et al.	224/148
5,511,336 A	4/1996	Bishop	43/21.2
D373,243 S	9/1996	Tovey et al.	D3/228
5,687,892 A	11/1997	Johns	224/268
D399,055 S	10/1998	Coady	D3/228
5,943,696 A	8/1999	Walker	2/51
6,145,717 A	11/2000	Rebeck	224/268
D452,610 S	1/2002	Schwarzmilller	D3/228
D453,069 S	1/2002	Smith	D3/228
D469,250 S	1/2003	Armstrong	D3/228
D470,309 S	2/2003	Armstrong	D3/228

* cited by examiner

Primary Examiner—Catherine R. Oliver
(74) *Attorney, Agent, or Firm*—Dimock Stratton LLP; Mark B. Eisen

(56) **References Cited**

U.S. PATENT DOCUMENTS

2,441,115 A	5/1948	Lambert	224/259
2,775,804 A	1/1957	Ayoub	24/3.6
2,856,111 A	10/1958	Wolfe et al.	224/268
2,985,349 A	5/1961	McGuire	224/268
3,285,482 A	11/1966	Bedsaul, Sr.	224/268
3,493,152 A	2/1970	Ort	224/248
3,515,363 A	6/1970	Fisher	248/71
D221,123 S	* 7/1971	Nicholas	D3/228
4,113,156 A	9/1978	Brito	224/666
4,325,503 A	4/1982	Swinney	224/148
4,403,717 A	9/1983	Glover	224/252
4,433,801 A	2/1984	Swinney	224/148
4,527,720 A	7/1985	Hayes	224/148
4,757,927 A	* 7/1988	Rutty	224/673
4,790,461 A	* 12/1988	Stover	224/241
4,919,317 A	4/1990	Luedtke	224/576
5,016,791 A	5/1991	Burow	224/148
D329,748 S	* 9/1992	Ehlin	D3/228
5,176,302 A	1/1993	Smith	224/252

(57) **CLAIM**

The ornamental design for a belt hook, as shown and described.

DESCRIPTION

FIG. 1 is a perspective view of the belt hook.
FIG. 2 is a front elevational view of the belt hook of FIG. 1.
FIG. 3 is a rear elevational view of the belt hook of FIG. 1.
FIG. 4 is a top plan view of the belt hook of FIG. 1.
FIG. 5 is a bottom plan view of the belt hook of FIG. 1.
FIG. 6 is a side elevational view of the belt hook of FIG. 1, the opposite side being a mirror image thereof.
FIG. 7 is a perspective view of an alternate embodiment of the belt hook of FIG. 1; and,
FIG. 8 is a side elevational view of the alternate embodiment of the belt hook, the opposite side being a mirror image thereof.

1 Claim, 3 Drawing Sheets

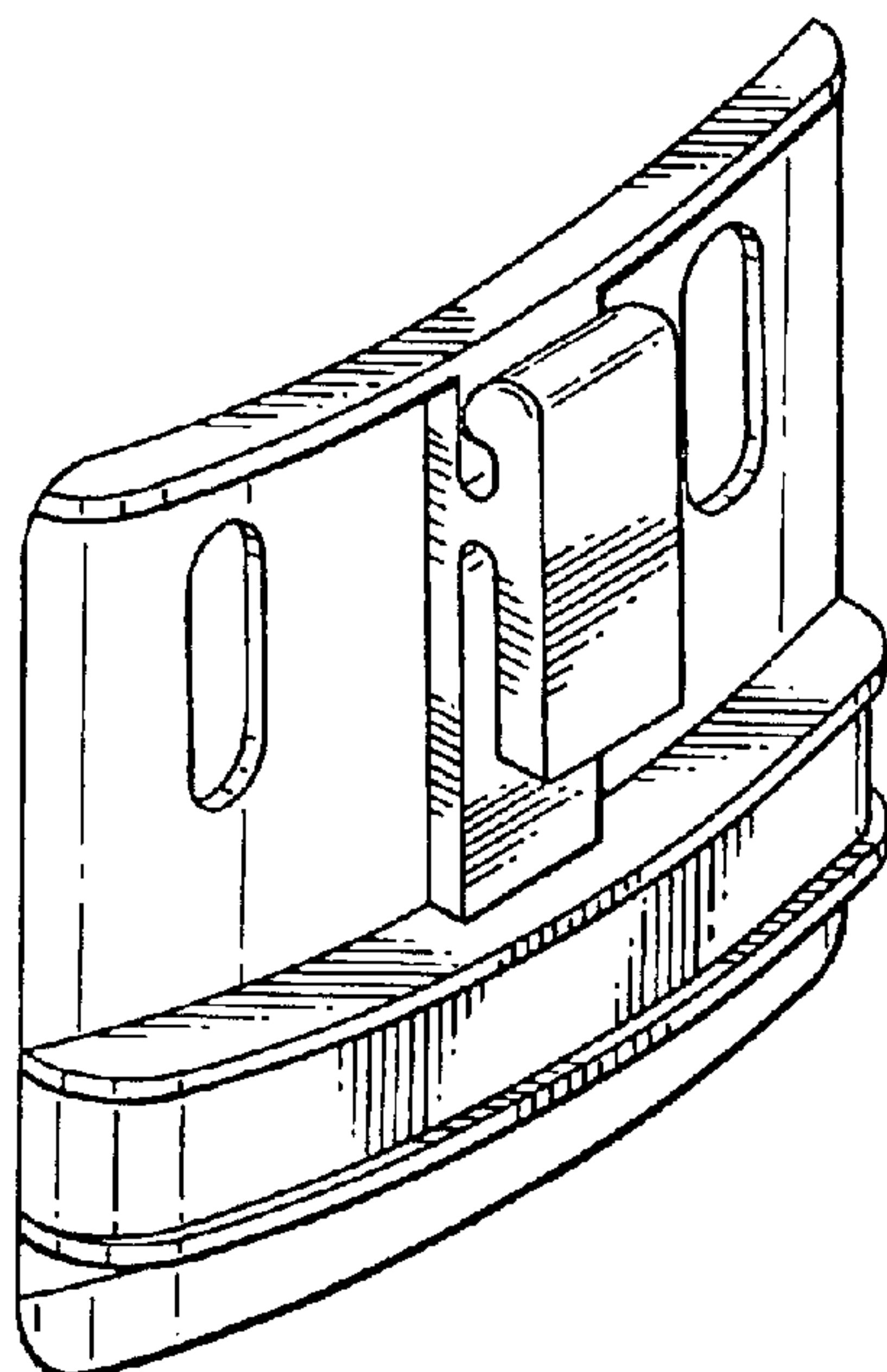


FIG. 1.

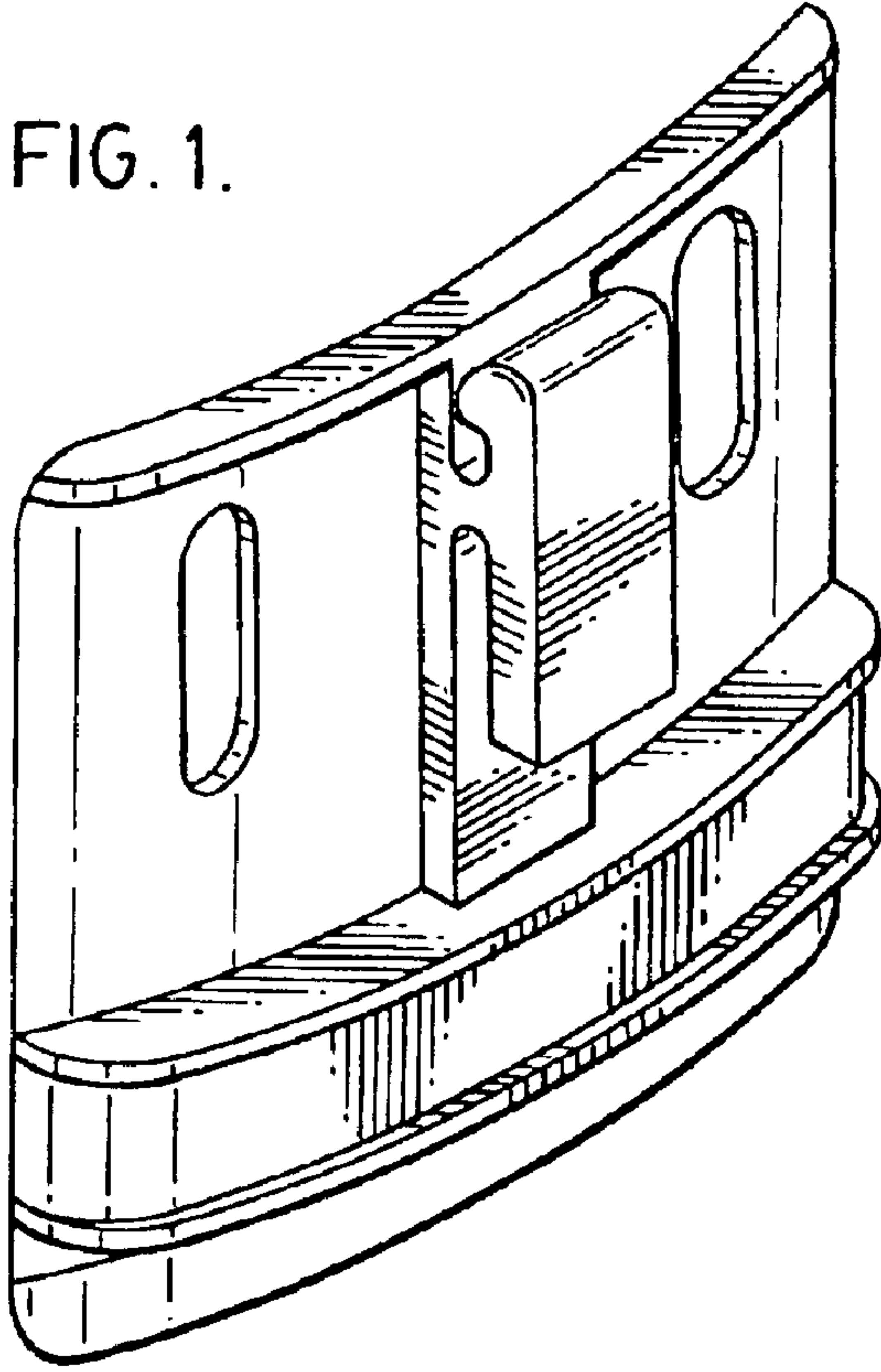
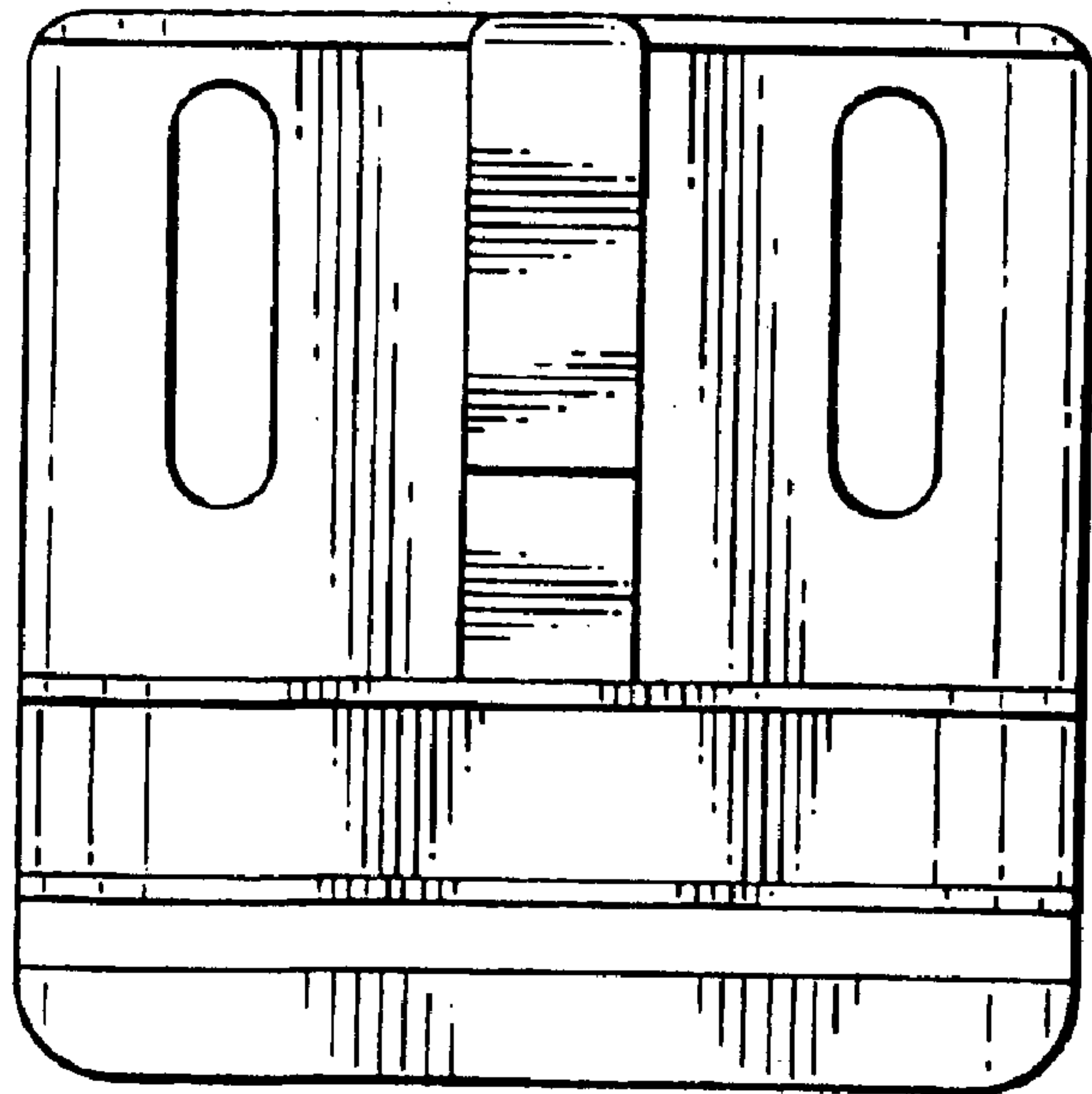


FIG. 2.



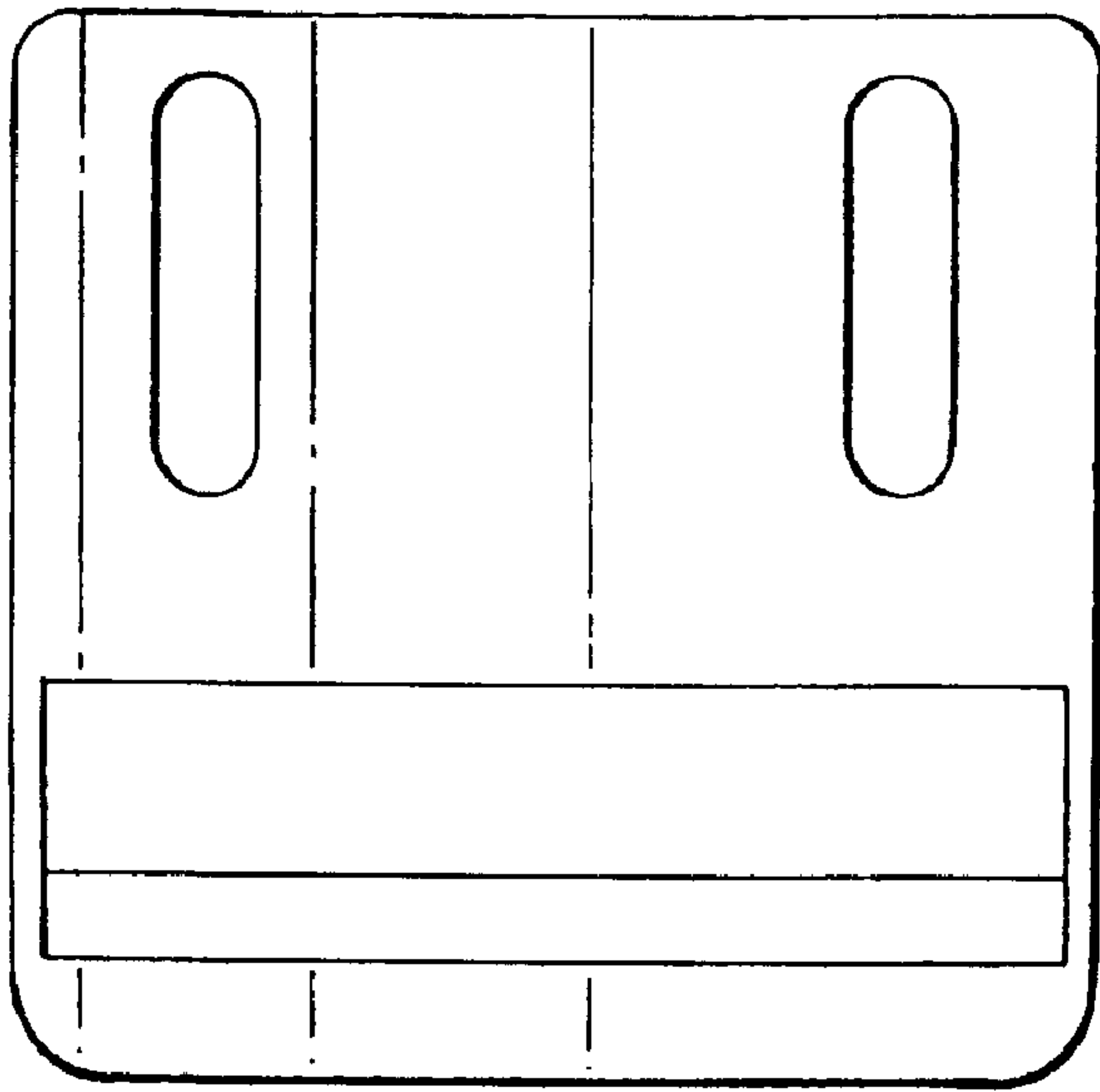


FIG. 3.

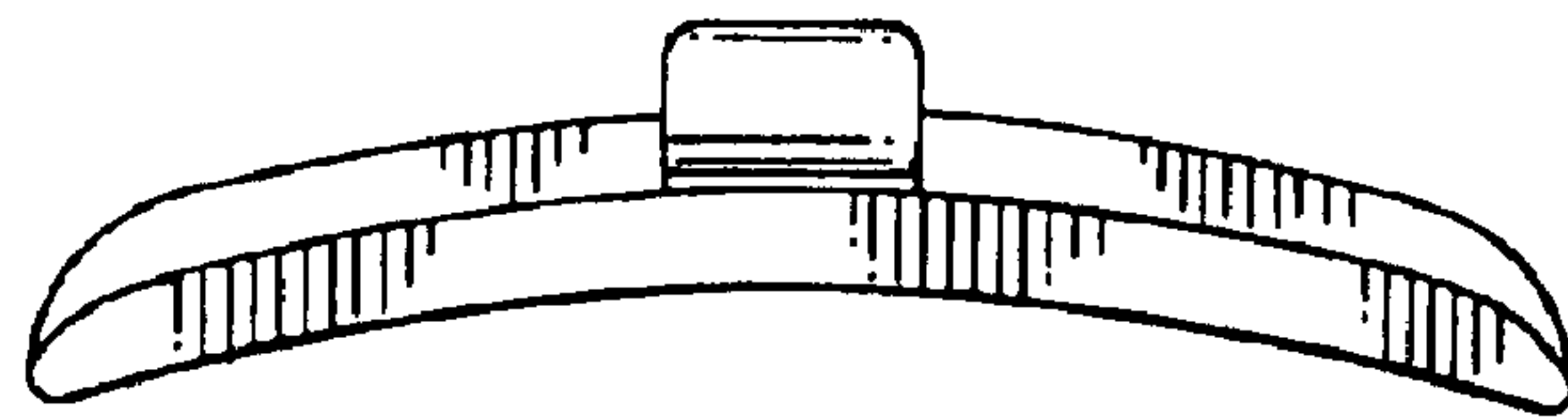


FIG. 4.

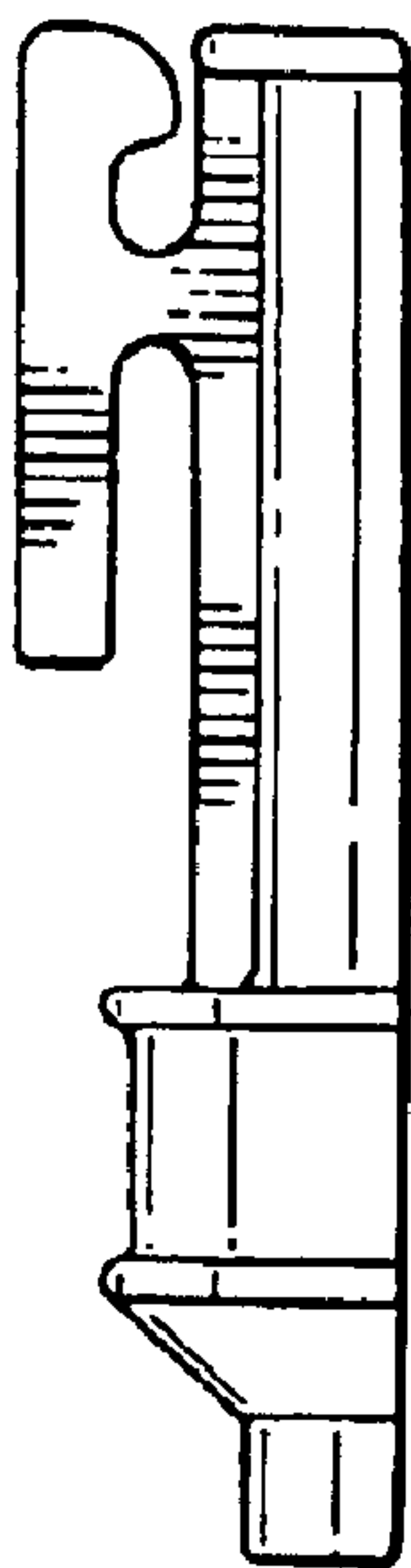


FIG. 6.

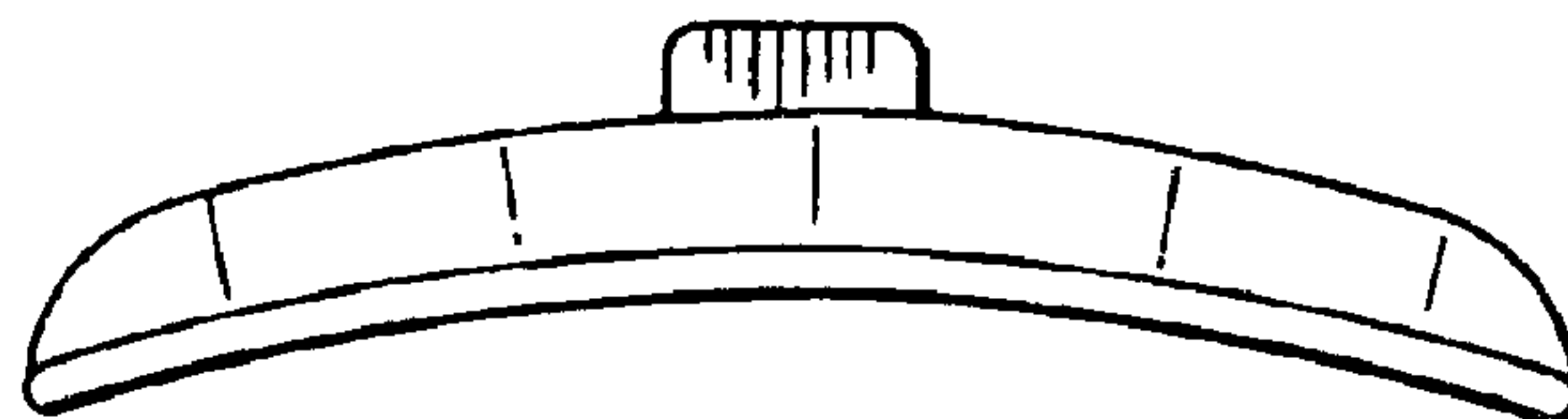


FIG. 5.

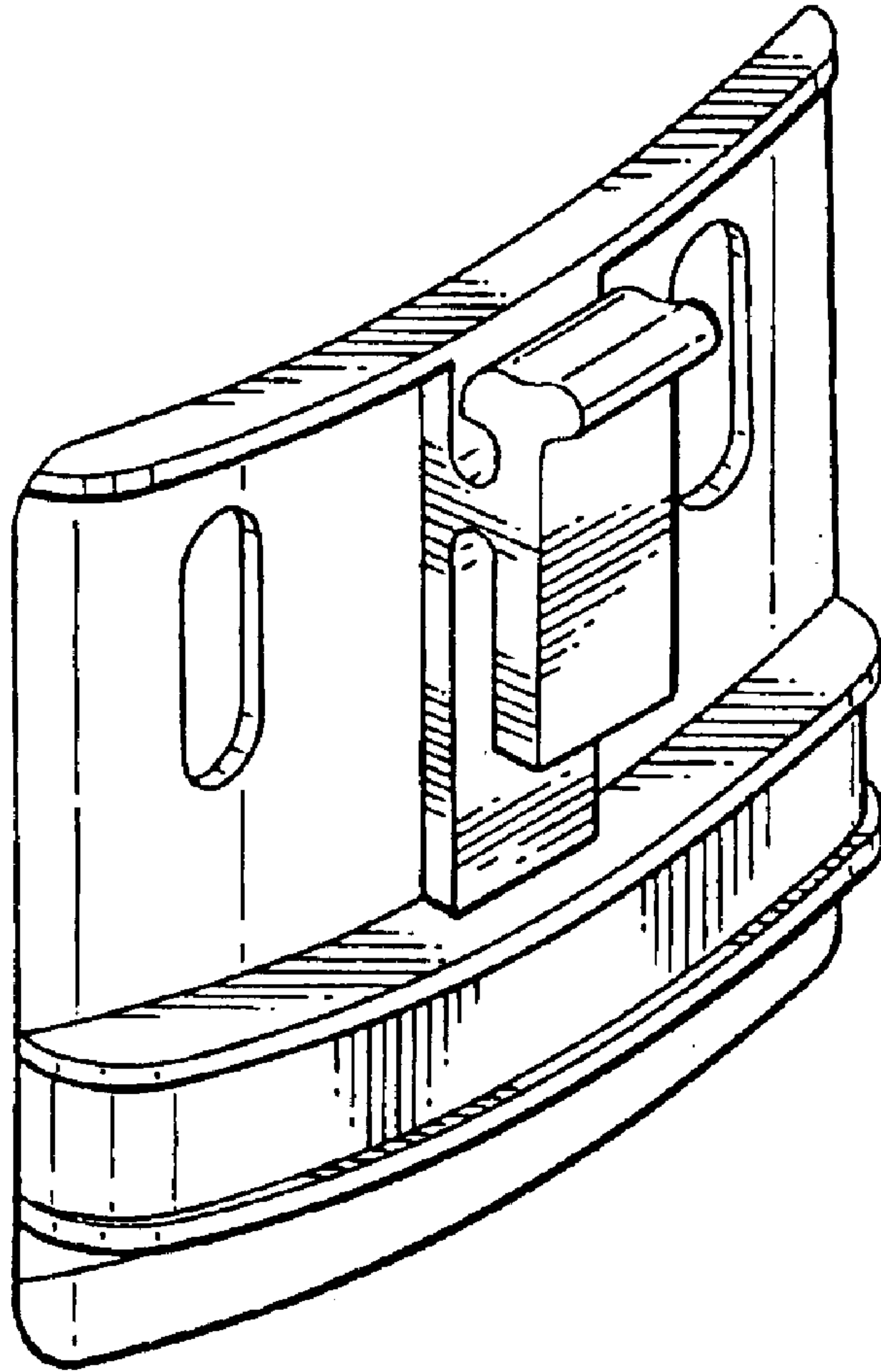


FIG. 7.

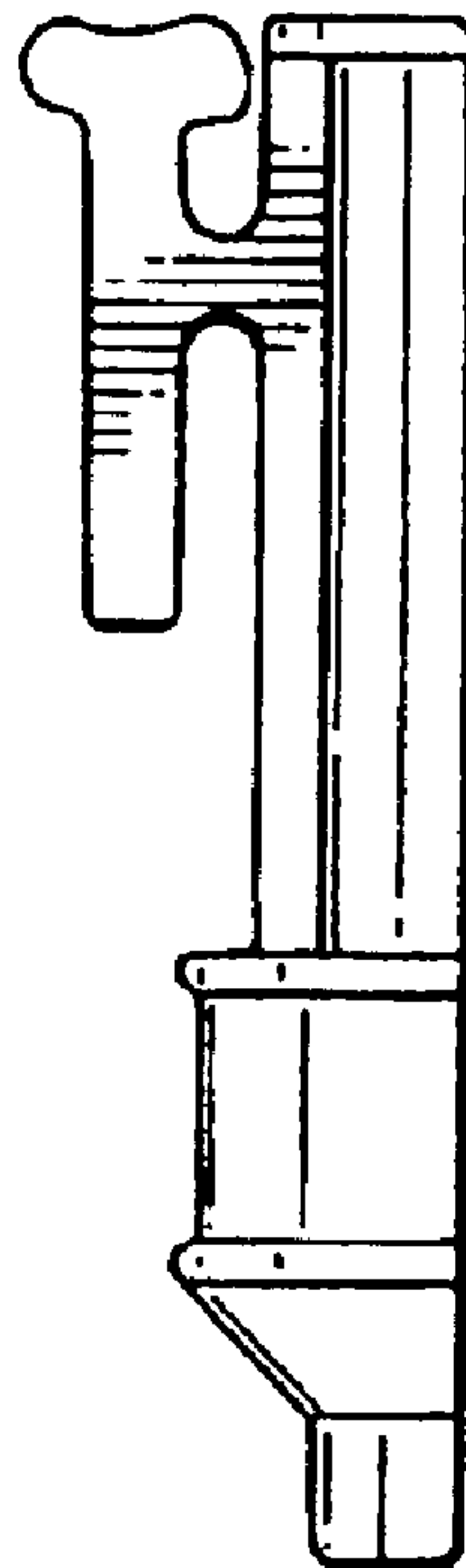


FIG. 8.