

US00D507093S

(12) **United States Design Patent**
Burmester

(10) **Patent No.:** **US D507,093 S**
(45) **Date of Patent:** **** Jul. 12, 2005**

(54) **VISOR FOR A CAP OR HEADBAND**

(76) **Inventor:** **Michael Burmester**, Bahnhofstrasse 43,
22946 Trittau (DE)

(**) **Term:** **14 Years**

(21) **Appl. No.:** **29/168,376**

(22) **Filed:** **Sep. 30, 2002**

(30) **Foreign Application Priority Data**

Mar. 30, 2002 (DE) 4 02 02 875

(51) **LOC (8) Cl.** **02-03**

(52) **U.S. Cl.** **D2/893**

(58) **Field of Search** D2/865, 866, 868,
D2/869, 871, 872, 875-877, 879-882, 884,
893, 894, 873, 886; 2/10, 12, 171, 181,
175.1, 209.11, 209.12, 209.13, 195.1-195,
195.3

(56) **References Cited**

U.S. PATENT DOCUMENTS

D360,519 S	*	7/1995	Bailey	D2/876
D365,916 S	*	1/1996	Hutchinson et al.	D2/866
D396,136 S	*	7/1998	Stein	D2/872
D411,908 S	*	7/1999	Richlin	D2/866
6,035,446 A	*	3/2000	Johnson	2/195.1
D439,728 S	*	4/2001	Smith	D2/876
D444,618 S	*	7/2001	Wilson	D2/882

D488,293 S	*	4/2004	Norway, Jr.	D2/882
D489,165 S	*	5/2004	Waters	D2/866
D492,094 S	*	6/2004	Park	D2/893

* cited by examiner

Primary Examiner—Mimosa De

(74) *Attorney, Agent, or Firm*—Cohen, Pontani, Lieberman & Pavane

(57) **CLAIM**

The ornamental design for a visor for a cap or headband, as shown and described.

DESCRIPTION

FIG. 1 is an elevated perspective view of a visor for a cap or headband showing my new design, the broken line showing the cap being for illustrative purposes only and forms no part of the claimed design;

FIG. 2 is an elevated perspective view of the visor of FIG. 1 on a headband which is shown in broken line for illustrative purposes only and forms no part of the claimed design;

FIG. 3 is a top plan view of the visor of FIG. 1;

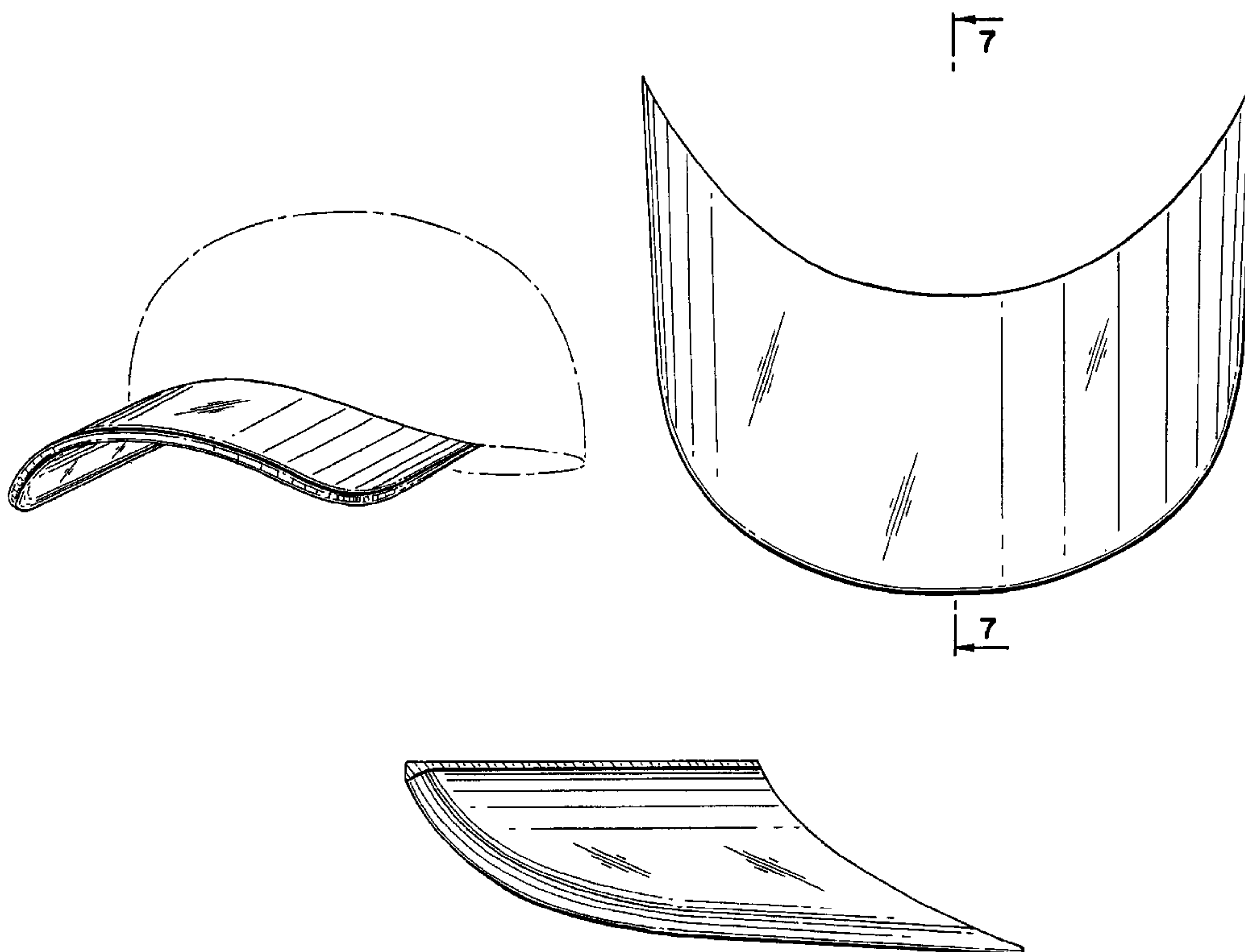
FIG. 4 is a front view thereof;

FIG. 5 is a side view thereof, the undisclosed side being a mirror image;

FIG. 6 is a bottom plan view thereof; and,

FIG. 7 is a cross-sectional view taken along the lines 7—7 in FIG. 3.

1 Claim, 4 Drawing Sheets



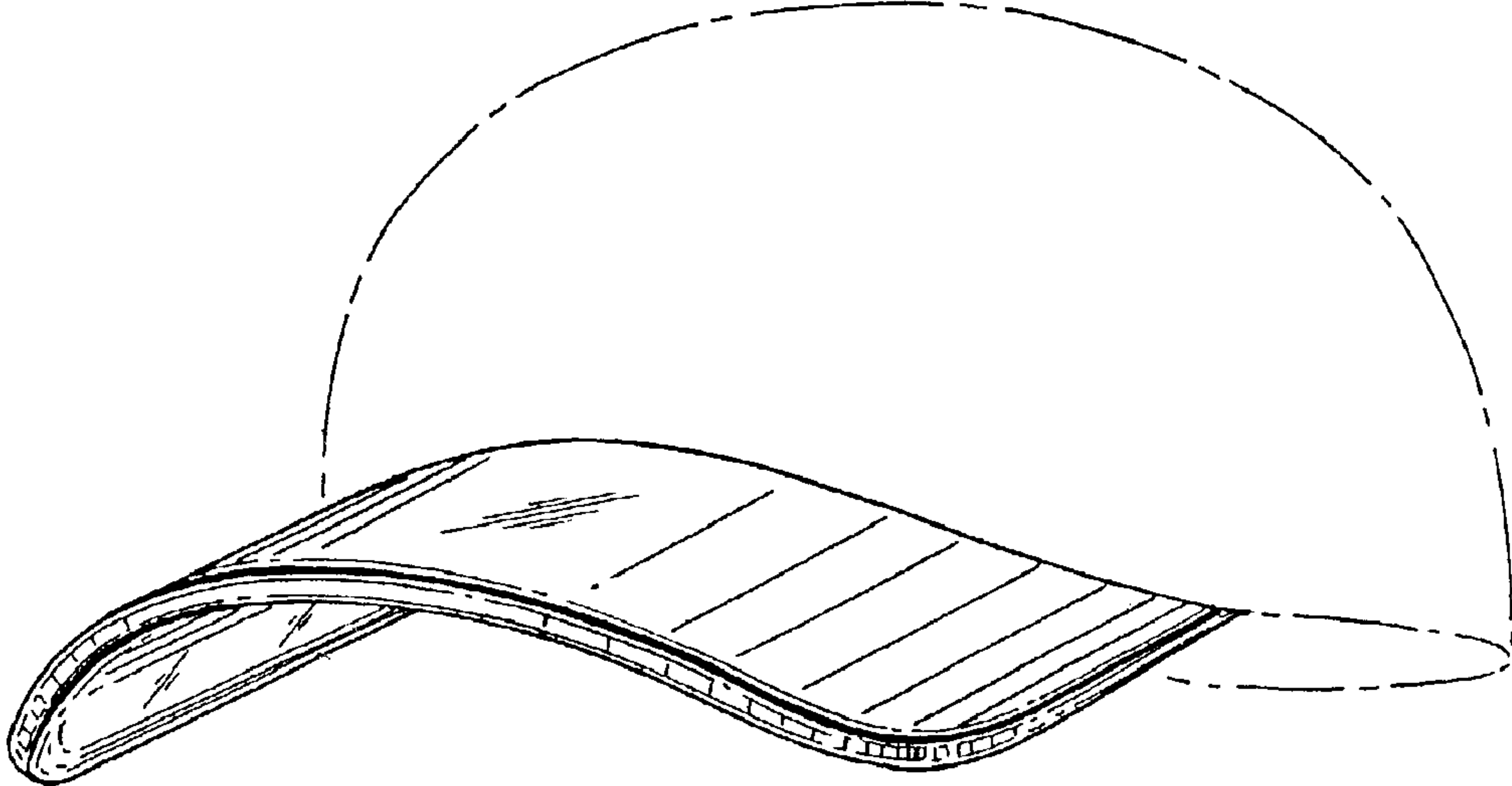


FIG. 1

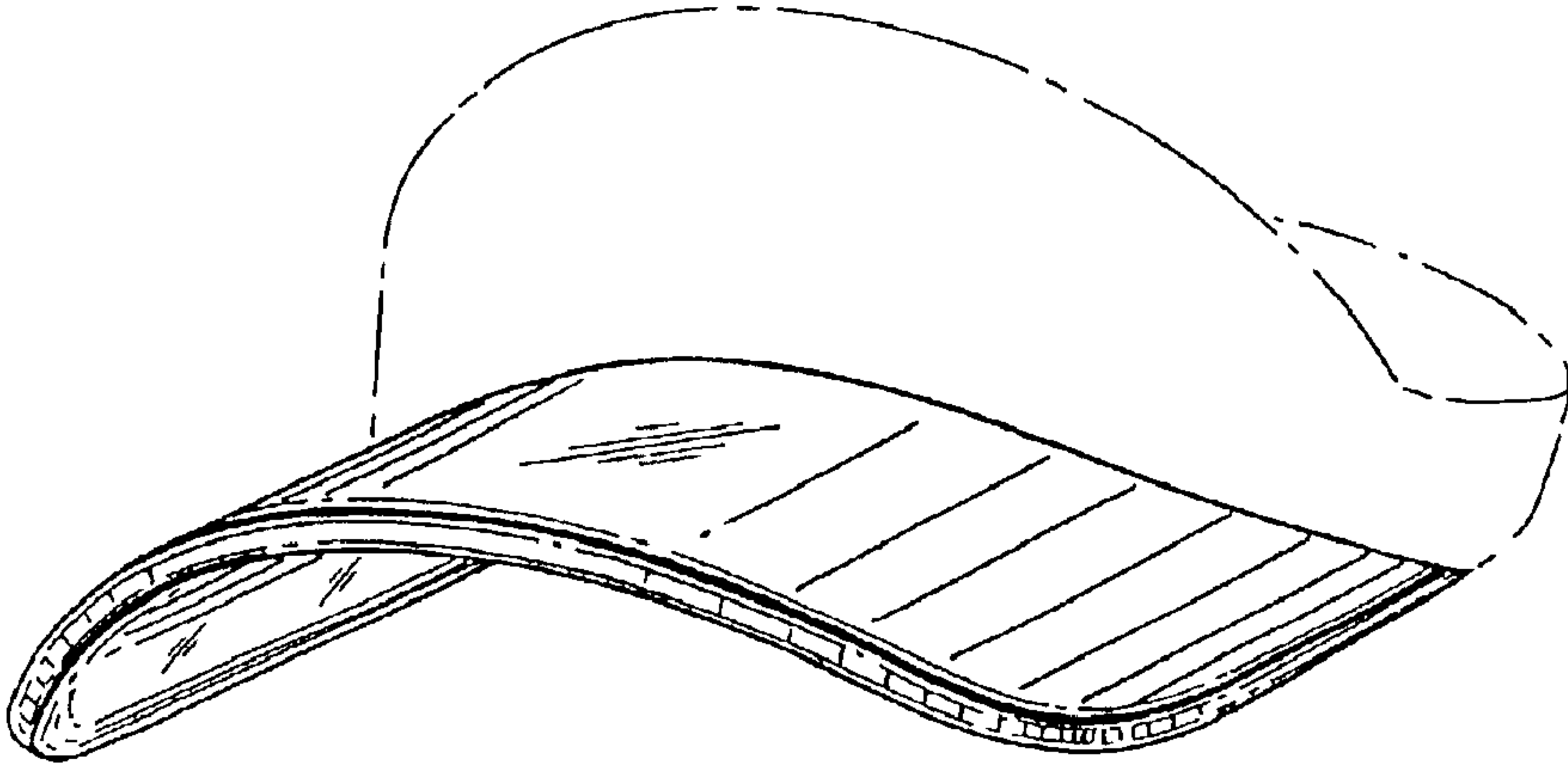


FIG. 2

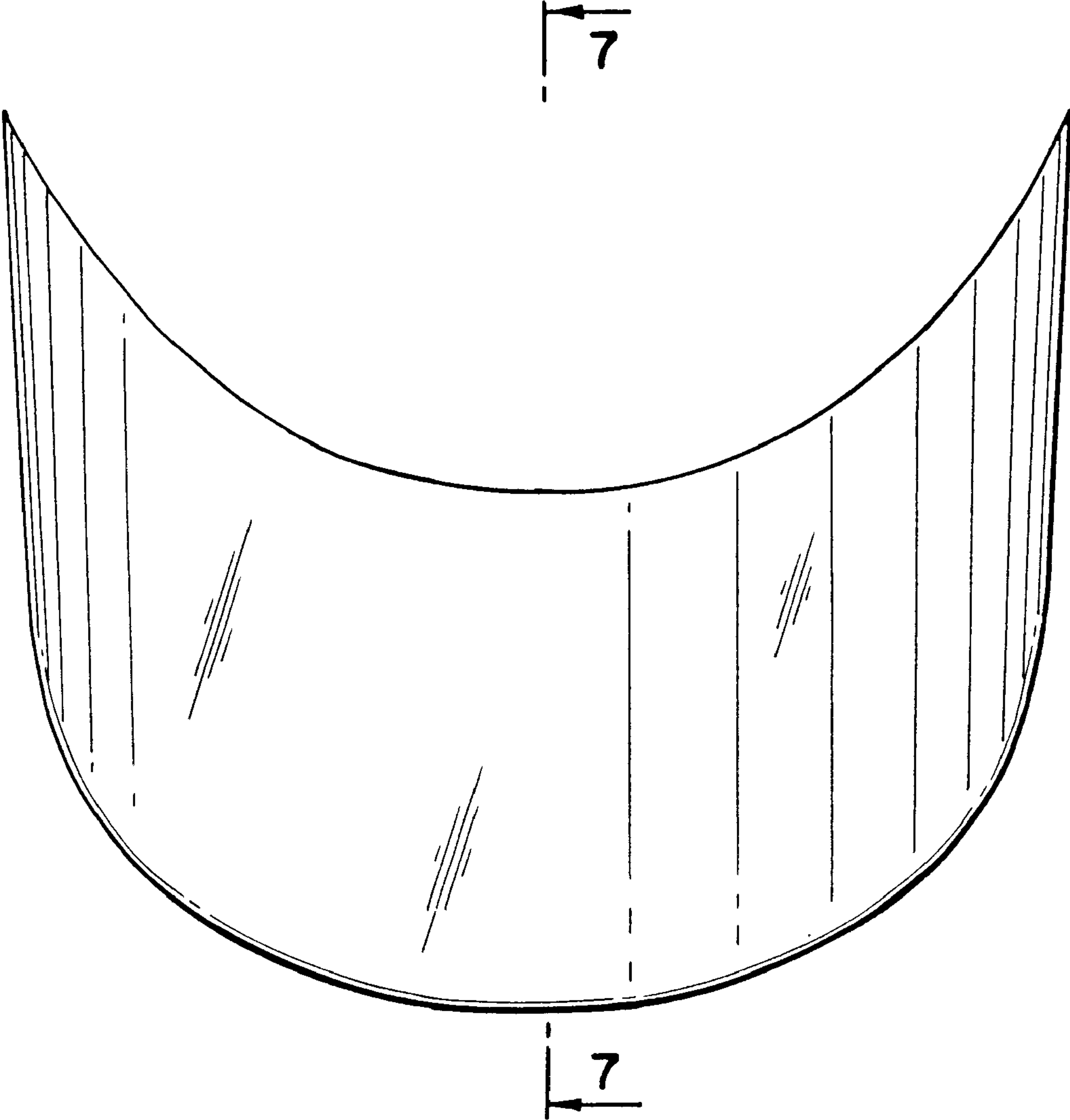


FIG. 3

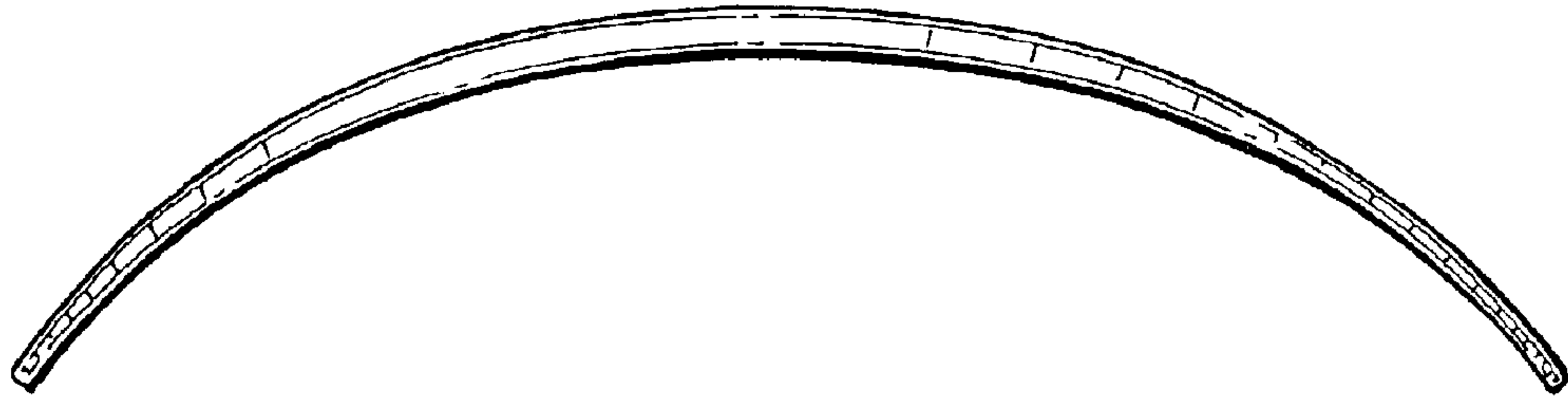
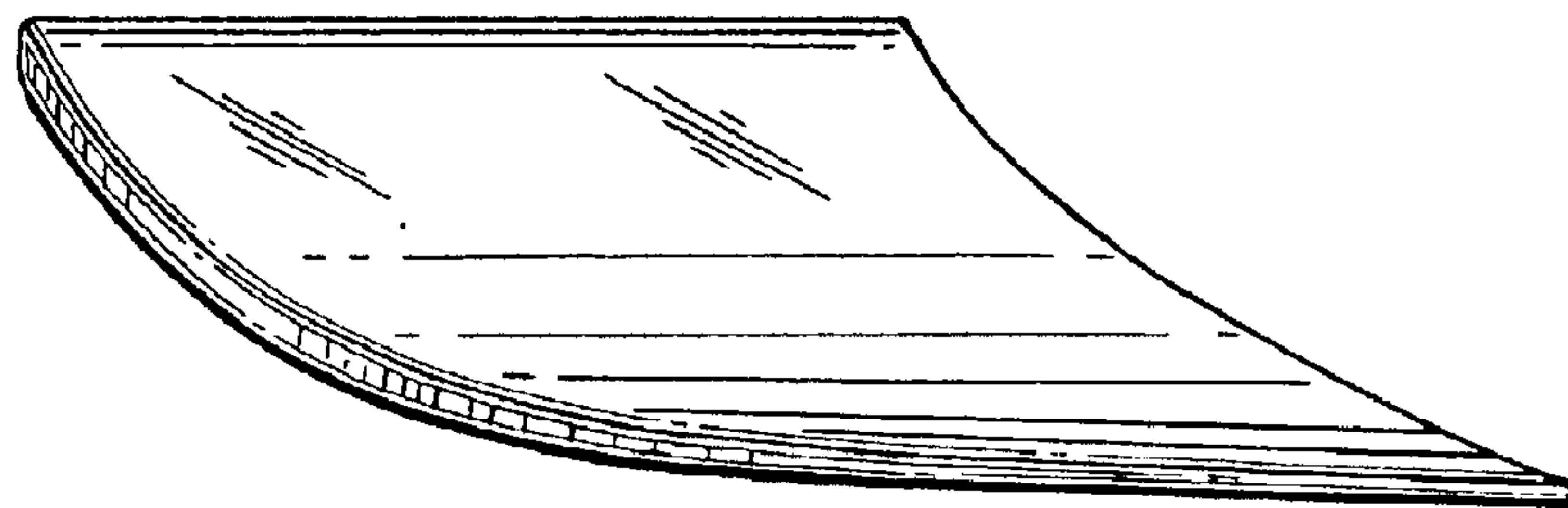


FIG. 4

FIG. 5



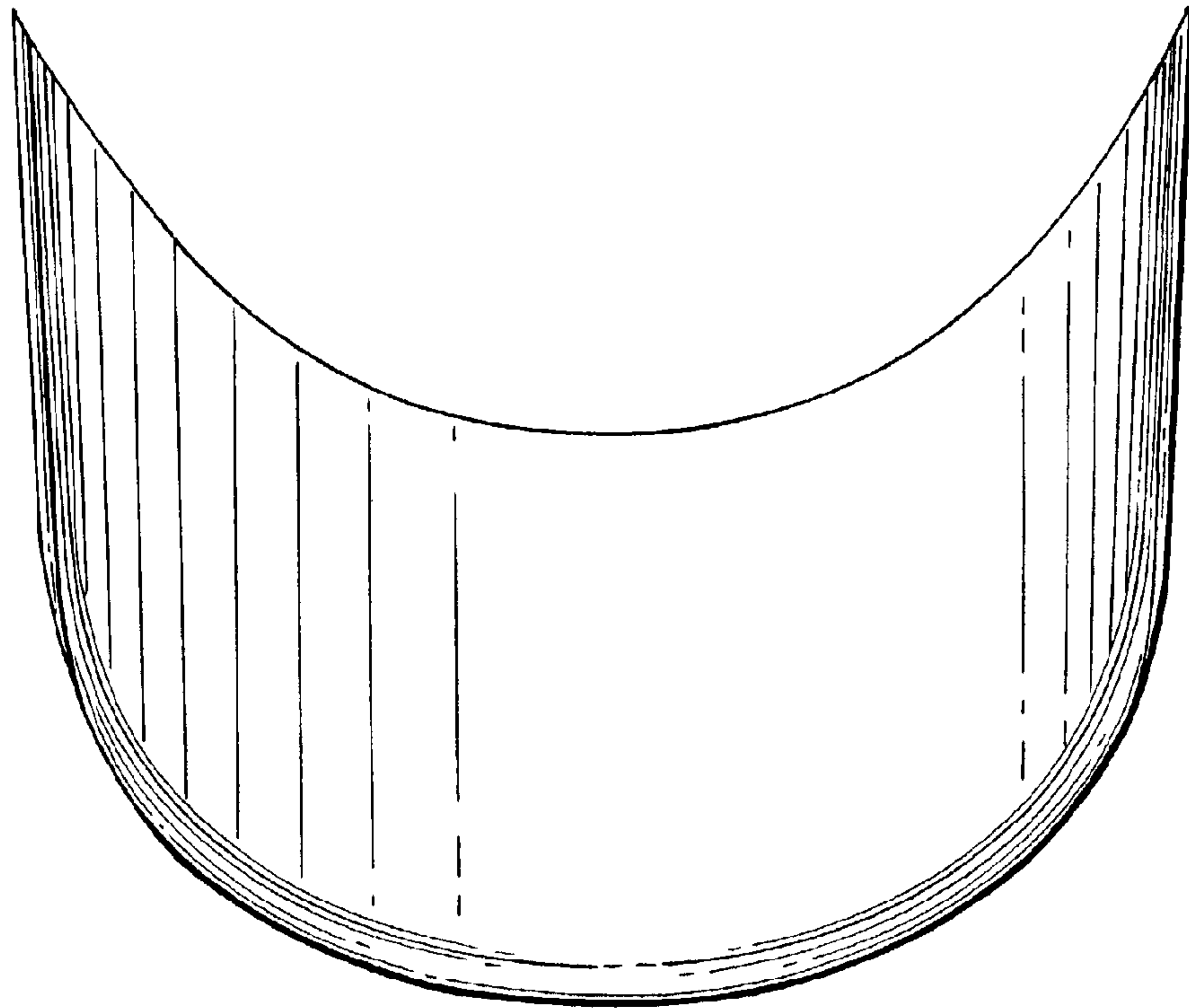


FIG. 6

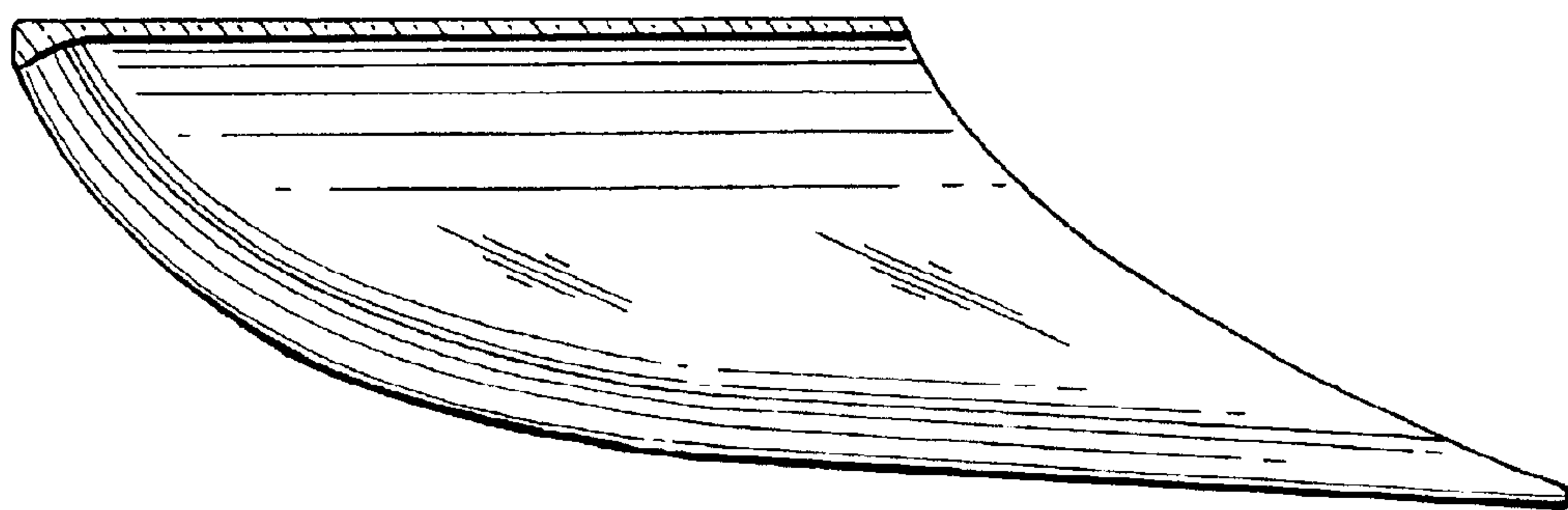


FIG. 7