

US00D507092S

(12) **United States Design Patent**  
**Kim**

(10) **Patent No.:** **US D507,092 S**  
(45) **Date of Patent:** **\*\* Jul. 12, 2005**

- (54) **PIN VISOR**
- (75) **Inventor:** **Jong Tak Kim, Seoul (KR)**
- (73) **Assignee:** **DA DA Corp., Seoul (KR)**
- (\*\*) **Term:** **14 Years**
- (21) **Appl. No.:** **29/209,420**
- (22) **Filed:** **Jul. 16, 2004**
- (51) **LOC (8) Cl.** ..... **02-03**
- (52) **U.S. Cl.** ..... **D2/876**
- (58) **Field of Search** ..... D2/865, 866, 871,  
D2/872, 873, 875, 876, 879, 882, 884,  
893; 2/12, 171, 200.1, 209.11, 209.12,  
209.3, 209.4

- 5,131,094 A \* 7/1992 Ackerman ..... 2/12
- 5,177,811 A \* 1/1993 Ulrich ..... 2/209.7
- 5,265,165 A \* 11/1993 Rauch ..... 381/309
- D377,708 S \* 2/1997 Bay, Jr. .... D2/893
- 5,615,414 A \* 4/1997 Landis ..... 2/12
- 5,659,896 A \* 8/1997 Taylor ..... 2/12
- 5,799,326 A \* 9/1998 Chang ..... 2/12
- 5,857,218 A \* 1/1999 Kuhlman et al. .... 2/174
- D412,774 S \* 8/1999 Shwartz ..... D2/876
- 6,009,555 A \* 1/2000 Siprut ..... 2/12
- D439,728 S \* 4/2001 Smith ..... D2/876
- D460,243 S \* 7/2002 Park ..... D2/872
- D469,947 S 2/2003 Park
- D474,002 S 5/2003 Park
- 6,560,780 B2 \* 5/2003 Zar ..... 2/12
- 6,675,393 B1 1/2004 Park
- 6,810,533 B1 \* 11/2004 Nahabedian et al. .... 2/209.3

\* cited by examiner

(56) **References Cited**

**U.S. PATENT DOCUMENTS**

- 217,500 A \* 7/1879 White ..... 2/12
- 2,009,855 A \* 7/1935 Osmer ..... 493/340
- 2,019,028 A \* 10/1935 Sternberg ..... 2/12
- 2,092,805 A \* 9/1937 Jones ..... 2/12
- 2,207,907 A \* 7/1940 Wittcoff ..... 2/171.02
- 3,266,056 A \* 8/1966 De Villers et al. .... 2/12
- D206,191 S \* 11/1966 Lawrence ..... D29/109
- D236,661 S \* 9/1975 Weaver ..... D2/876
- D237,758 S \* 11/1975 Huffman ..... D2/876
- 4,547,903 A \* 10/1985 Brown et al. .... 2/12
- D285,021 S \* 8/1986 Chandler ..... D29/109
- D288,026 S \* 2/1987 Laughlin ..... D2/871
- 4,686,713 A \* 8/1987 Coleman et al. .... 2/12
- 4,912,779 A \* 4/1990 Laird ..... 2/12
- 4,951,316 A \* 8/1990 Moody ..... 2/10
- D316,173 S \* 4/1991 Morris, Jr. .... D2/876
- D324,128 S \* 2/1992 Hoskins ..... D2/876

*Primary Examiner*—Joel A. Sincavage  
*Assistant Examiner*—Elizabeth Albert

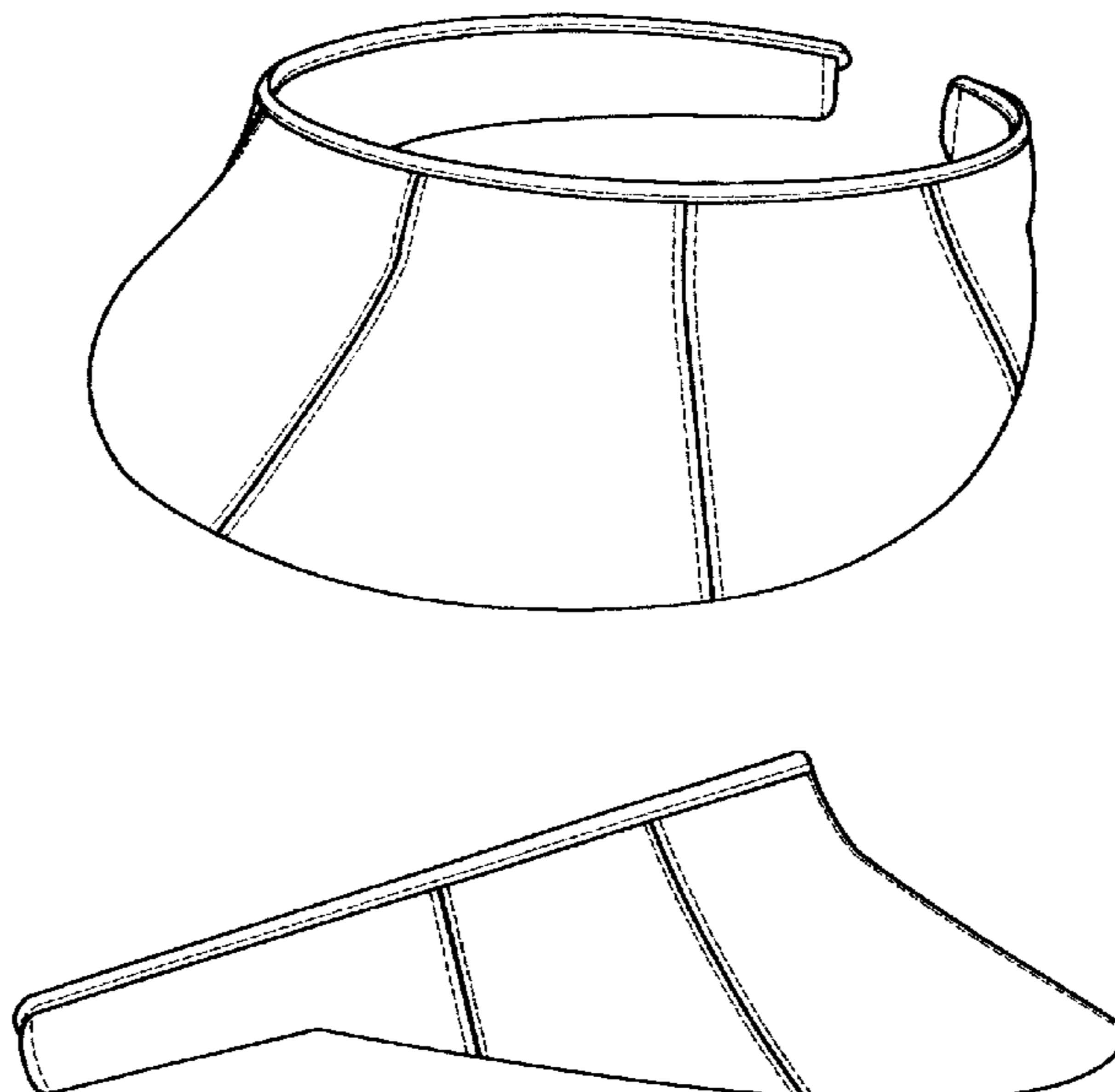
(57) **CLAIM**

The ornamental design for a pin visor, as shown and described.

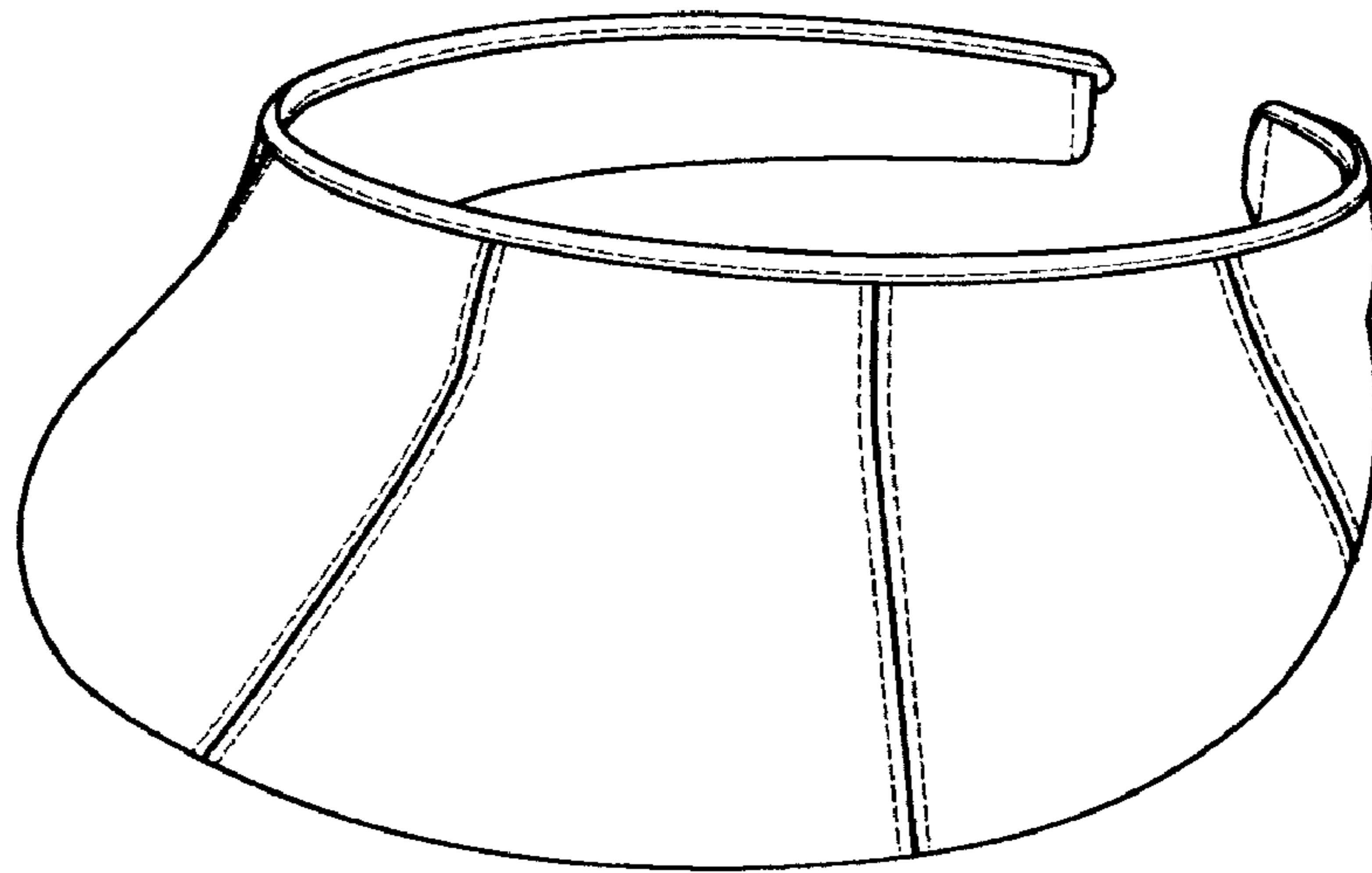
**DESCRIPTION**

FIG. 1 is a perspective view of a pin visor showing my new design;  
FIG. 2 is a top elevational view thereof;  
FIG. 3 is a front elevational view thereof;  
FIG. 4 is a rear elevational view thereof;  
FIG. 5 is a right elevational view thereof; and,  
FIG. 6 is a left elevational view thereof.  
The broken line shown on the pin visor represents stitching.

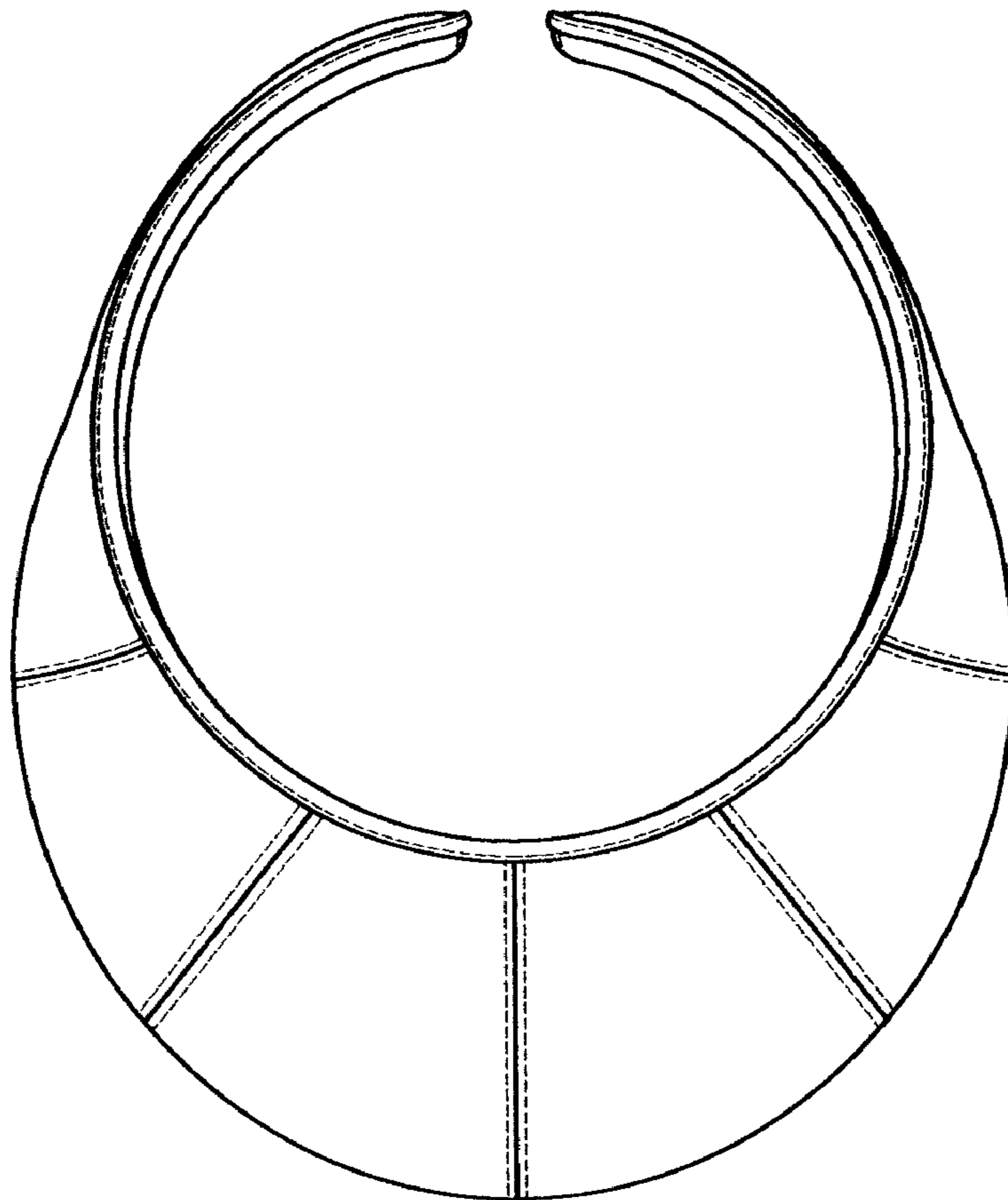
**1 Claim, 3 Drawing Sheets**



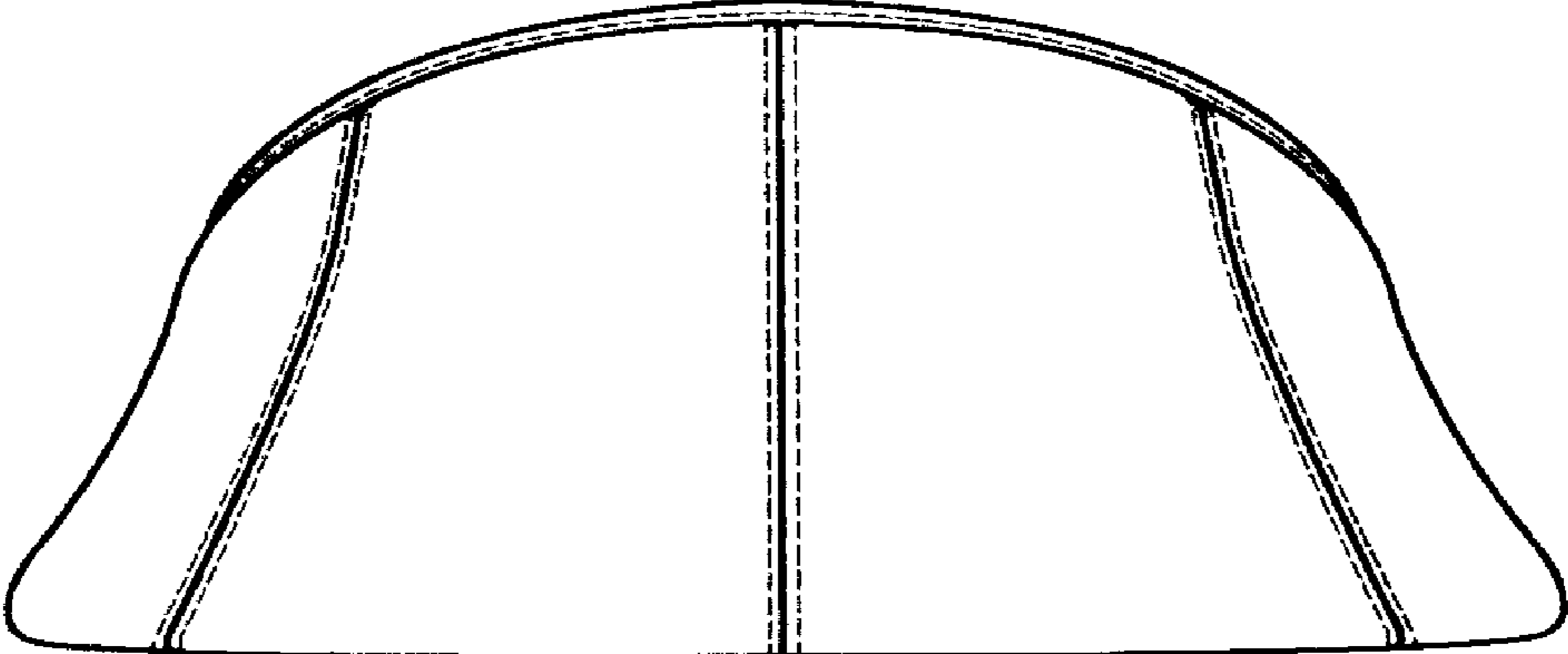
**FIG.1**



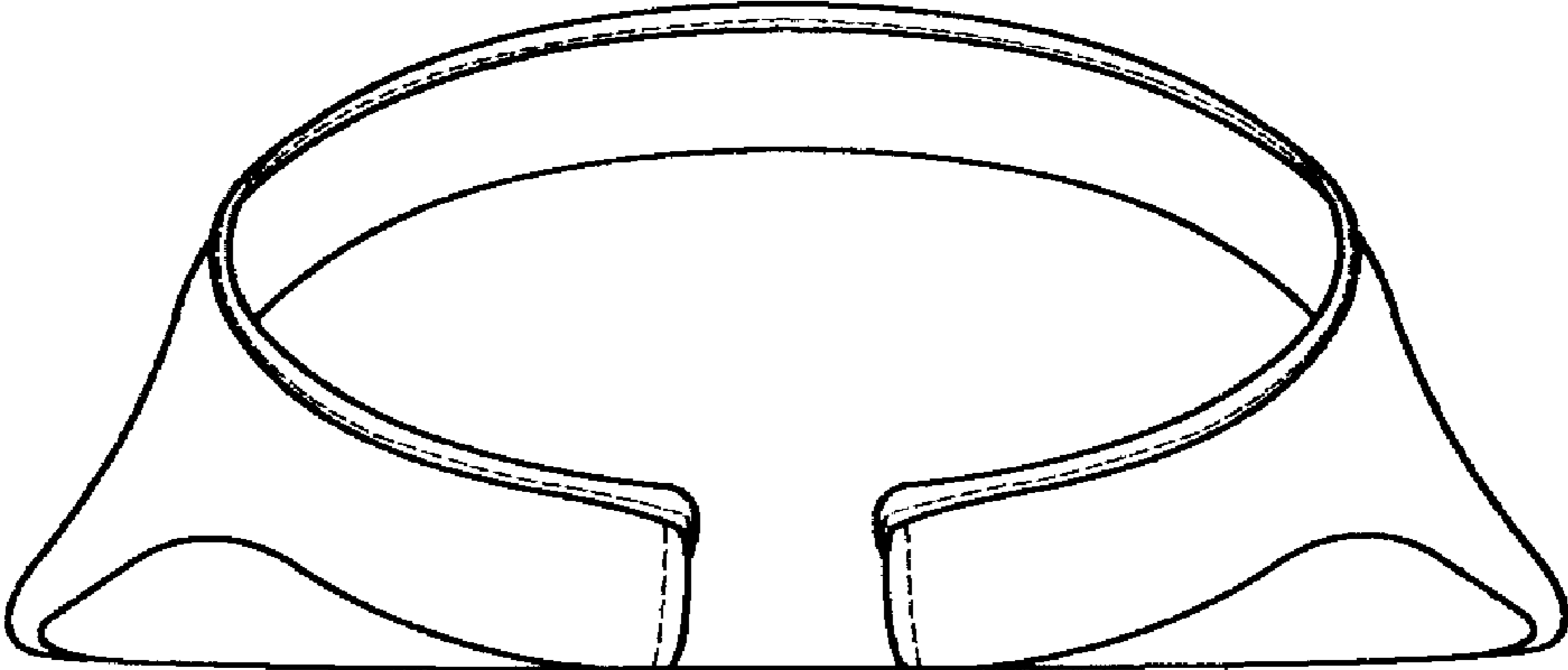
**FIG.2**



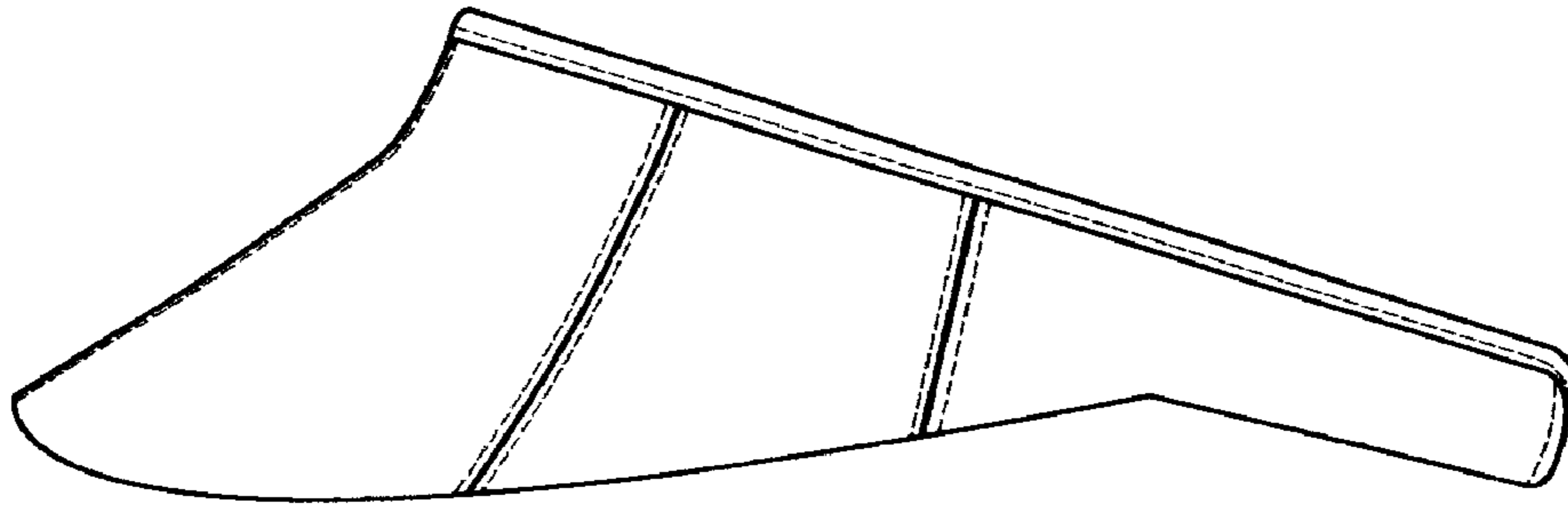
**FIG.3**



**FIG.4**



**FIG.5**



**FIG.6**

