

US00D507089S

(12) **United States Design Patent** (10) **Patent No.:** **US D507,089 S**
Enayati et al. (45) **Date of Patent:** **** Jul. 5, 2005**

(54) **ENCLOSURE FOR REFUSE AND RECYCLABLE CONTAINERS**

(75) Inventors: **Shahin Enayati**, San Diego, CA (US);
Piraphakar Mahalingam, San Diego, CA (US);
Michelle M. Nolasco, San Diego, CA (US)

(73) Assignee: **Chakra Properties LLC**, San Diego, CA (US)

(**) Term: **14 Years**

(21) Appl. No.: **29/206,468**

(22) Filed: **Jun. 1, 2004**

(51) **LOC (8) Cl.** **09-09**

(52) **U.S. Cl.** **D34/1**

(58) **Field of Search** D34/1, 5, 6, 8,
D34/9, 10, 11; 220/908-911, 10, 19; 40/606.05

(56) **References Cited**

U.S. PATENT DOCUMENTS

1,327,778	A	*	1/1920	Reichman et al.	40/606.05
2,007,042	A	*	7/1935	Duckett	206/233
2,294,068	A	*	8/1942	Budington	40/606.05
3,647,102	A		3/1972	Cooley		
3,861,767	A		1/1975	Mead		
3,947,985	A		4/1976	Skryzpczak		
4,609,117	A	*	9/1986	Pamment	220/252
4,615,454	A	*	10/1986	Verhoog, Jr.	220/88.1
4,821,903	A	*	4/1989	Hayes	280/47.26
5,072,828	A	*	12/1991	Irvine	220/4.33
5,082,132	A		1/1992	Tsai		
5,118,037	A	*	6/1992	Ekegren	232/43.1
D330,617	S	*	10/1992	Saller	D34/5
D330,789	S	*	11/1992	Powell	D34/5
D349,380	S	*	8/1994	Maturino	D34/7
D356,419	S	*	3/1995	Kamm	D34/7
5,402,872	A		4/1995	Clurman		
D381,156	S	*	7/1997	Kent	D34/1
D383,277	S	*	9/1997	Peters	D34/1
D388,922	S	*	1/1998	Peters	D34/1

D389,631	S	*	1/1998	Peters	D34/1
5,839,590	A		11/1998	Weiner		
5,873,643	A	*	2/1999	Burgess, Jr. et al.	312/290
5,887,696	A		3/1999	Goetz		
5,908,132	A		6/1999	Pigeon		
5,918,721	A		7/1999	Weinberger		
6,076,694	A		6/2000	Ragot		
D428,229	S		7/2000	Olivetti		
6,193,091	B1		2/2001	Olivetti		
D442,995	S		5/2001	Niiyama		
D492,827	S	*	7/2004	Amato et al.	D34/1

FOREIGN PATENT DOCUMENTS

EP 0660294 6/1995

* cited by examiner

Primary Examiner—Cynthia E. Ramirez

(74) *Attorney, Agent, or Firm*—Stephen C. Beuerle;
Procopio Cory Hargreaves Savitch LLP

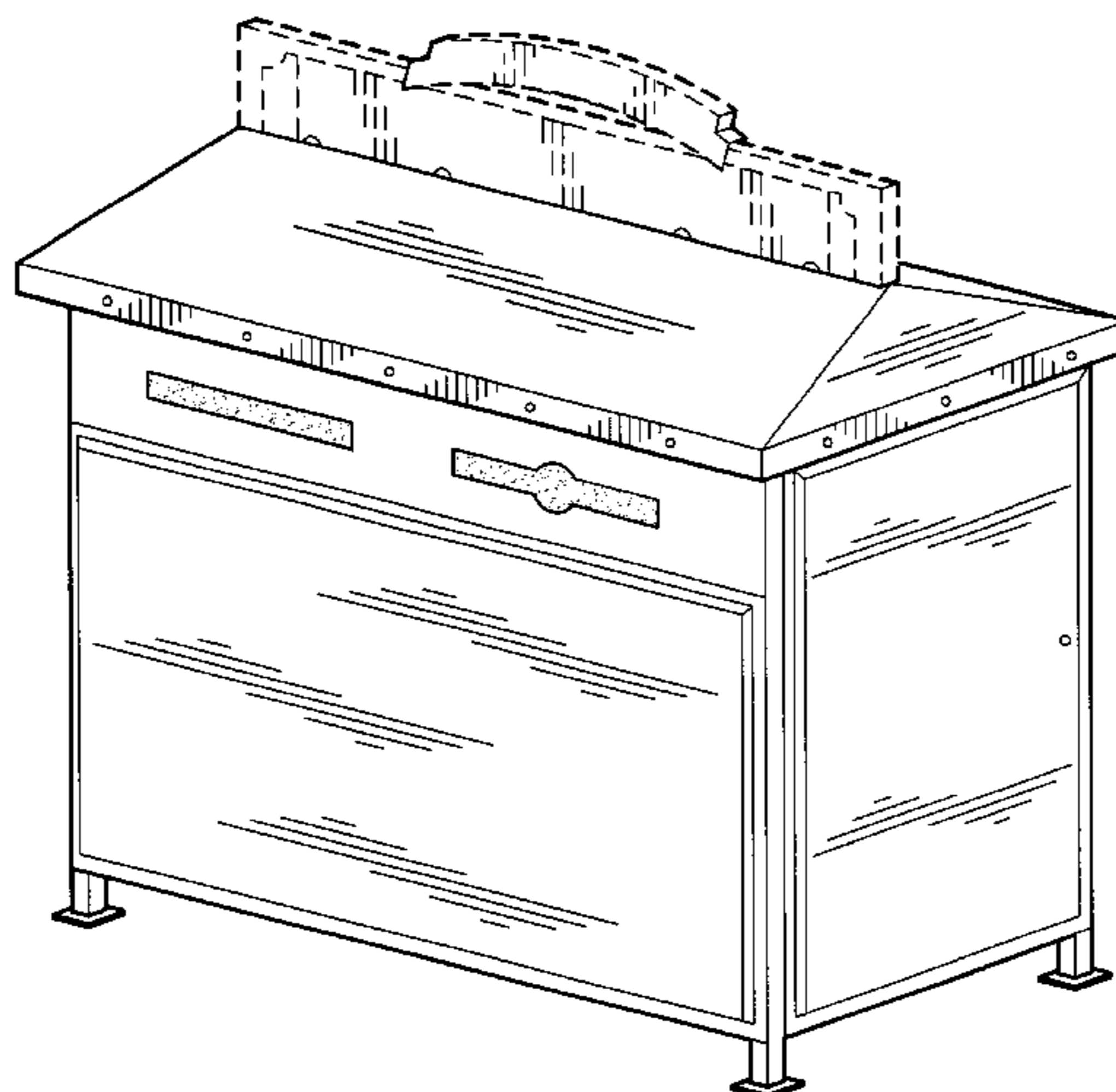
(57) **CLAIM**

The ornamental design for an enclosure for refuse and recyclable containers, as shown and described.

DESCRIPTION

FIG. 1 is a front perspective view of an embodiment of an enclosure for refuse and recyclable containers; FIG. 2 is a top plan view of the enclosure for refuse and recyclable containers illustrated in FIG. 1; FIG. 3 is a front elevation view of the enclosure for refuse and recyclable containers illustrated in FIG. 1; FIG. 4 is a rear elevation view of the enclosure for refuse and recyclable containers illustrated in FIG. 1; FIG. 5 is a right side elevational view of the enclosure for refuse and recyclable containers illustrated in FIG. 1, the left side elevational view being a mirror image; and, FIG. 6 is a bottom plan view of the enclosure for refuse and recyclable containers illustrated in FIG. 1. The broken lines shown in FIGS. 1-6 are included for the purpose of illustrating environmental elements only and form no part of the claimed design.

1 Claim, 3 Drawing Sheets



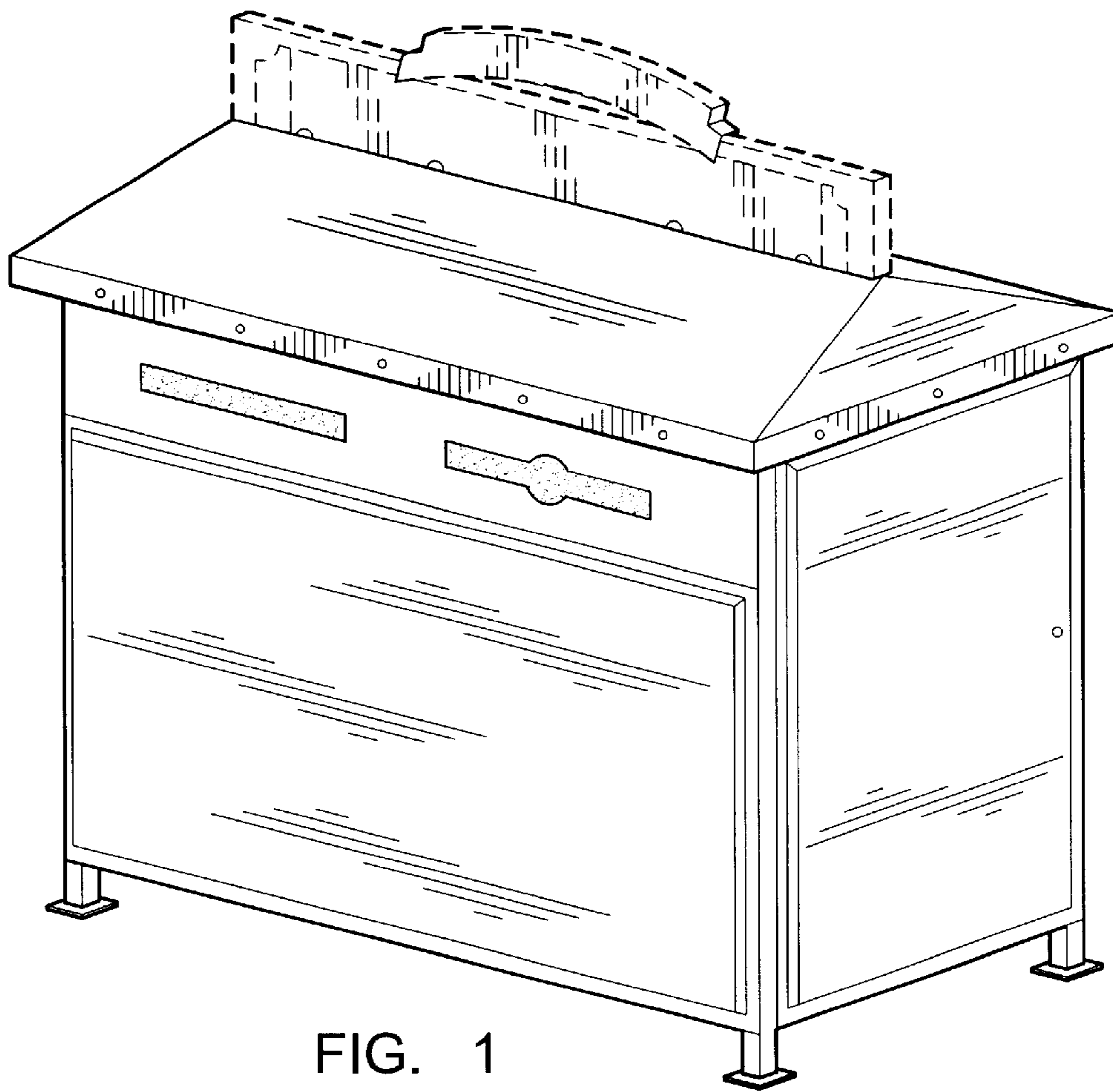


FIG. 1

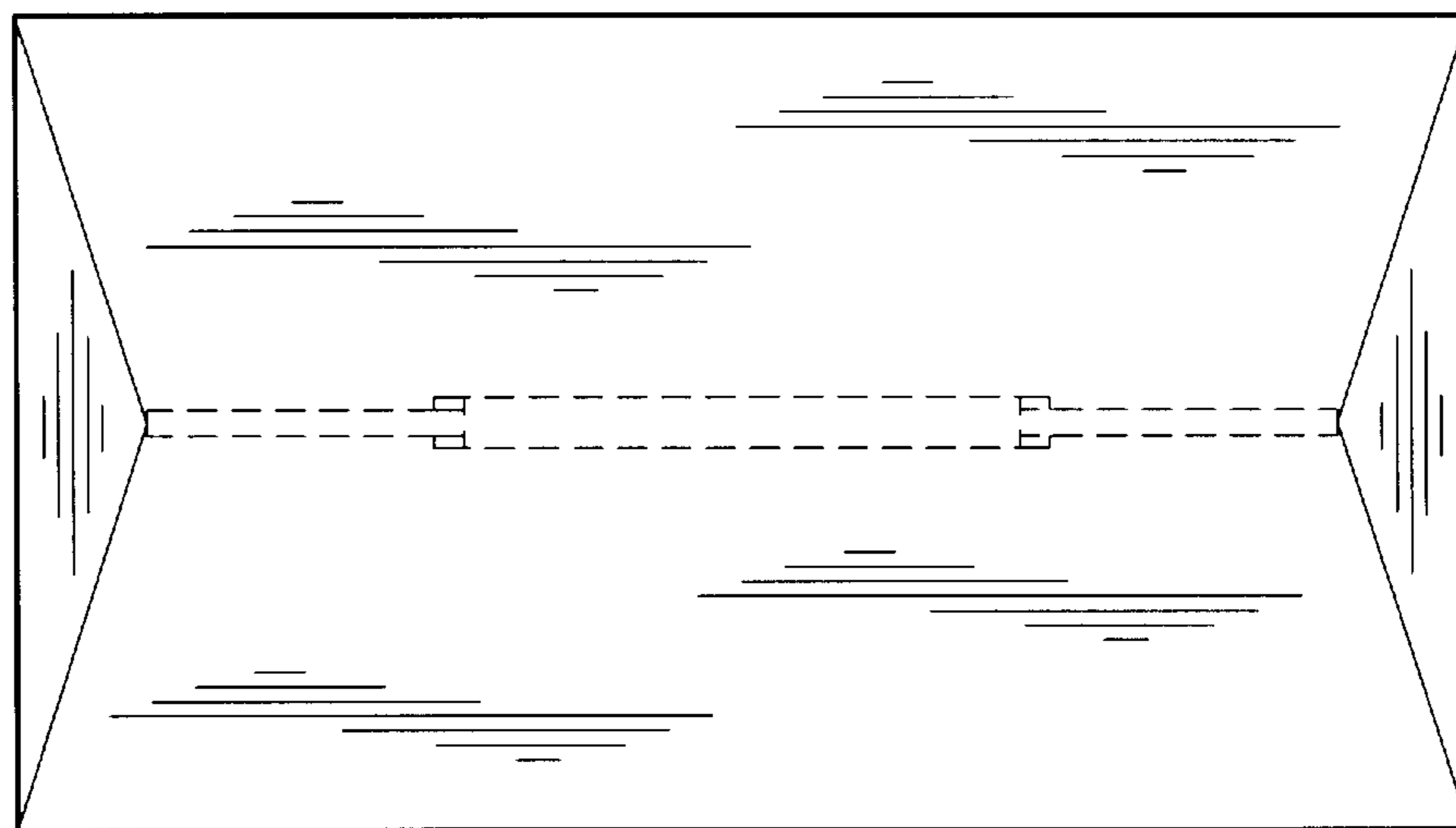


FIG. 2

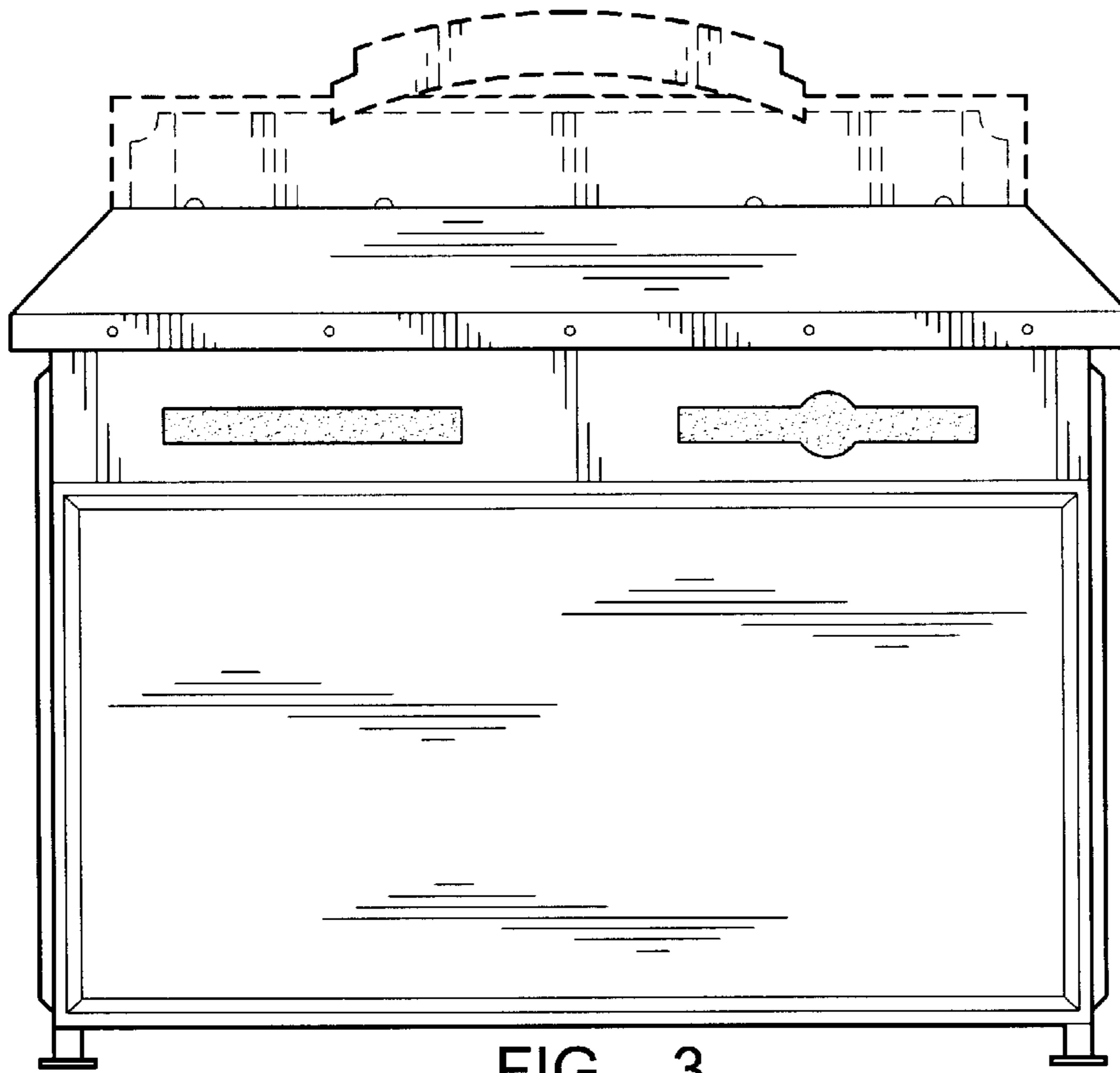


FIG. 3

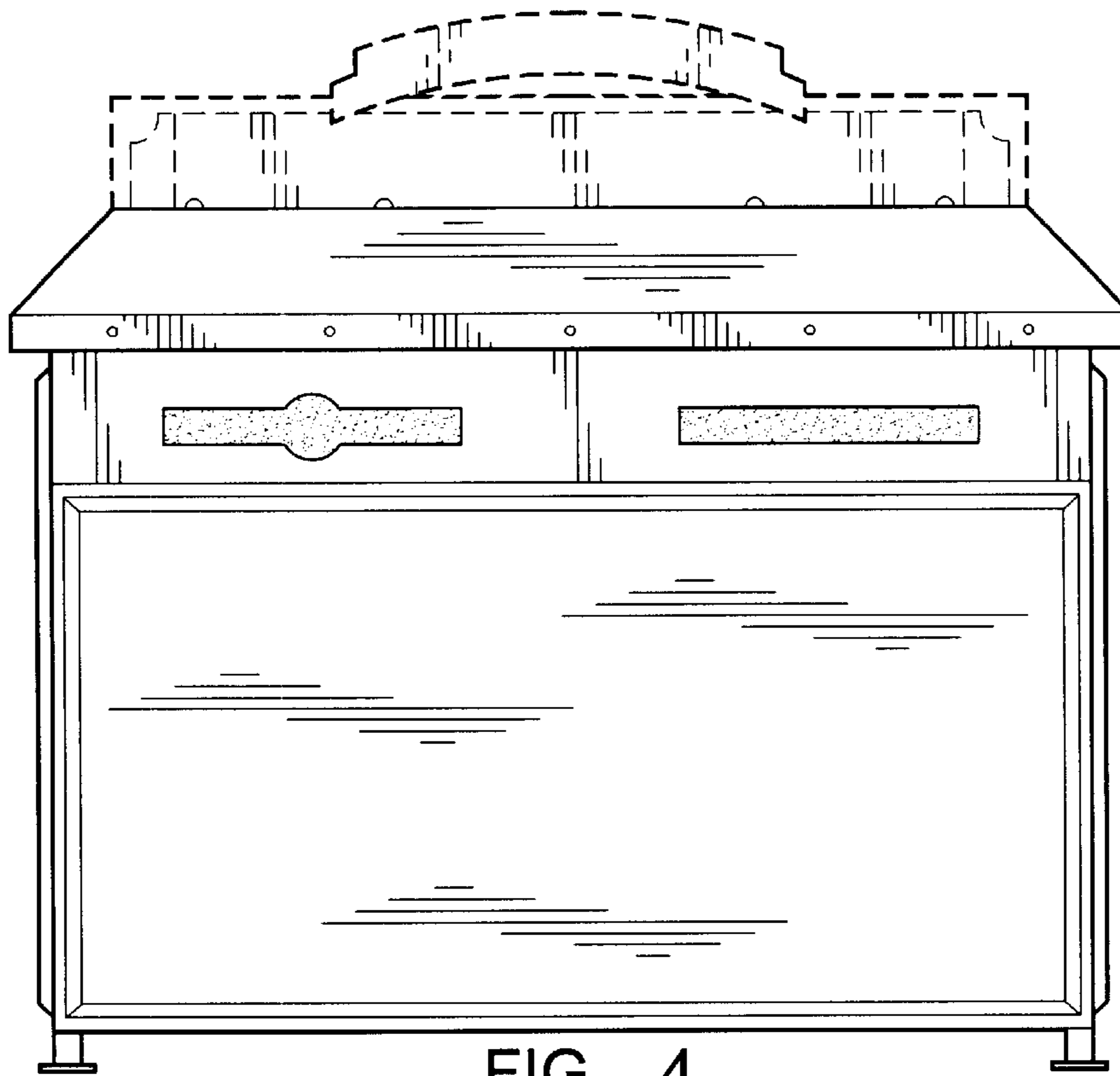


FIG. 4

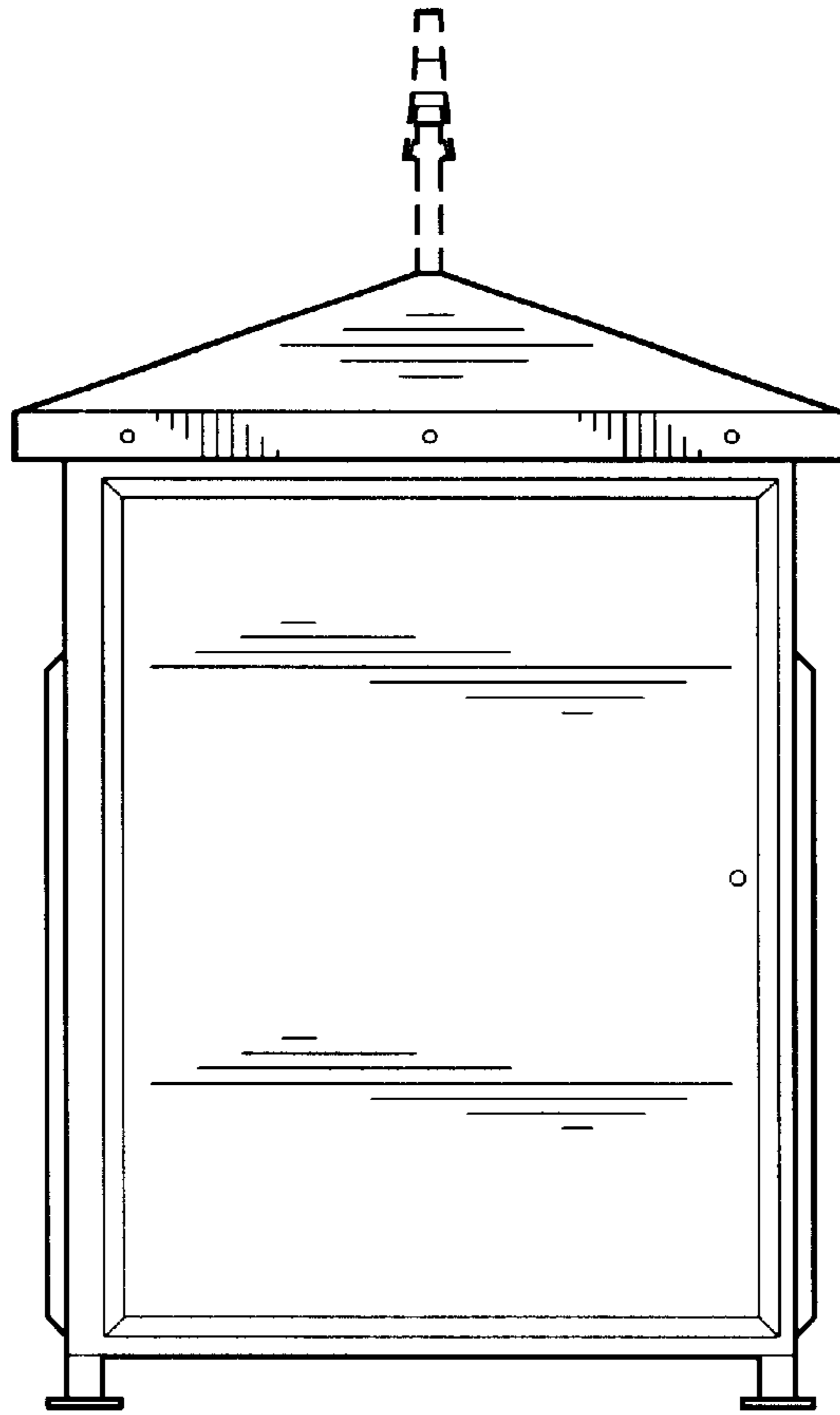


FIG. 5

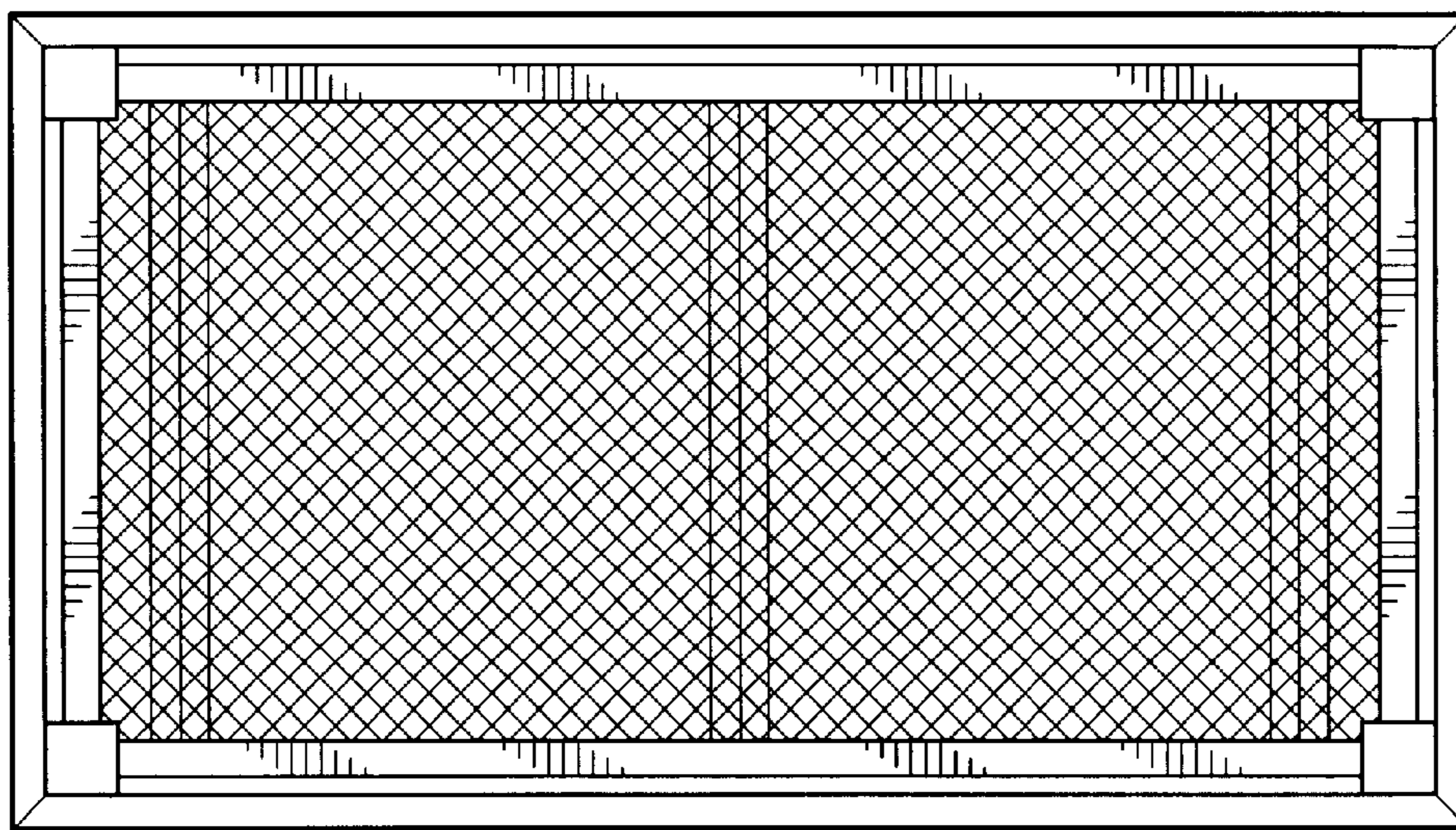


FIG. 6