

US00D507086S

(12) **United States Design Patent**
Bonner et al.

(10) **Patent No.: US D507,086 S**
(45) **Date of Patent: ** Jul. 5, 2005**

(54) **CANISTER FOR AIR FILTRATION SYSTEM**

(76) Inventors: **James Bonner**, 2605 Wright Rd.,
Akron, OH (US) 44320; **William
Stephens**, 3877 Mt. Vernon Blvd.,
Norton, OH (US) 44203

(**) Term: **14 Years**

(21) Appl. No.: **29/185,876**

(22) Filed: **Jul. 7, 2003**

(51) **LOC (8) Cl. 15-05**

(52) **U.S. Cl. D32/25**

(58) **Field of Search** D32/15, 17-18,
D32/21-22, 25, 31; 15/182, 347, 246.5,
DIG. 8; D7/619.1; D23/355, 364, 365;
403/157; 52/282.2

(56) **References Cited**

U.S. PATENT DOCUMENTS

3,862,463 A * 1/1975 Reiter 15/182
4,493,172 A * 1/1985 Jones 52/282.2

5,842,808 A * 12/1998 Potter et al. 403/157
6,379,082 B1 * 4/2002 Takemoto 239/147
6,675,546 B2 * 1/2004 Coles 403/157

* cited by examiner

Primary Examiner—Robert A. Delehanty
(74) *Attorney, Agent, or Firm*—John D. Gugliotta

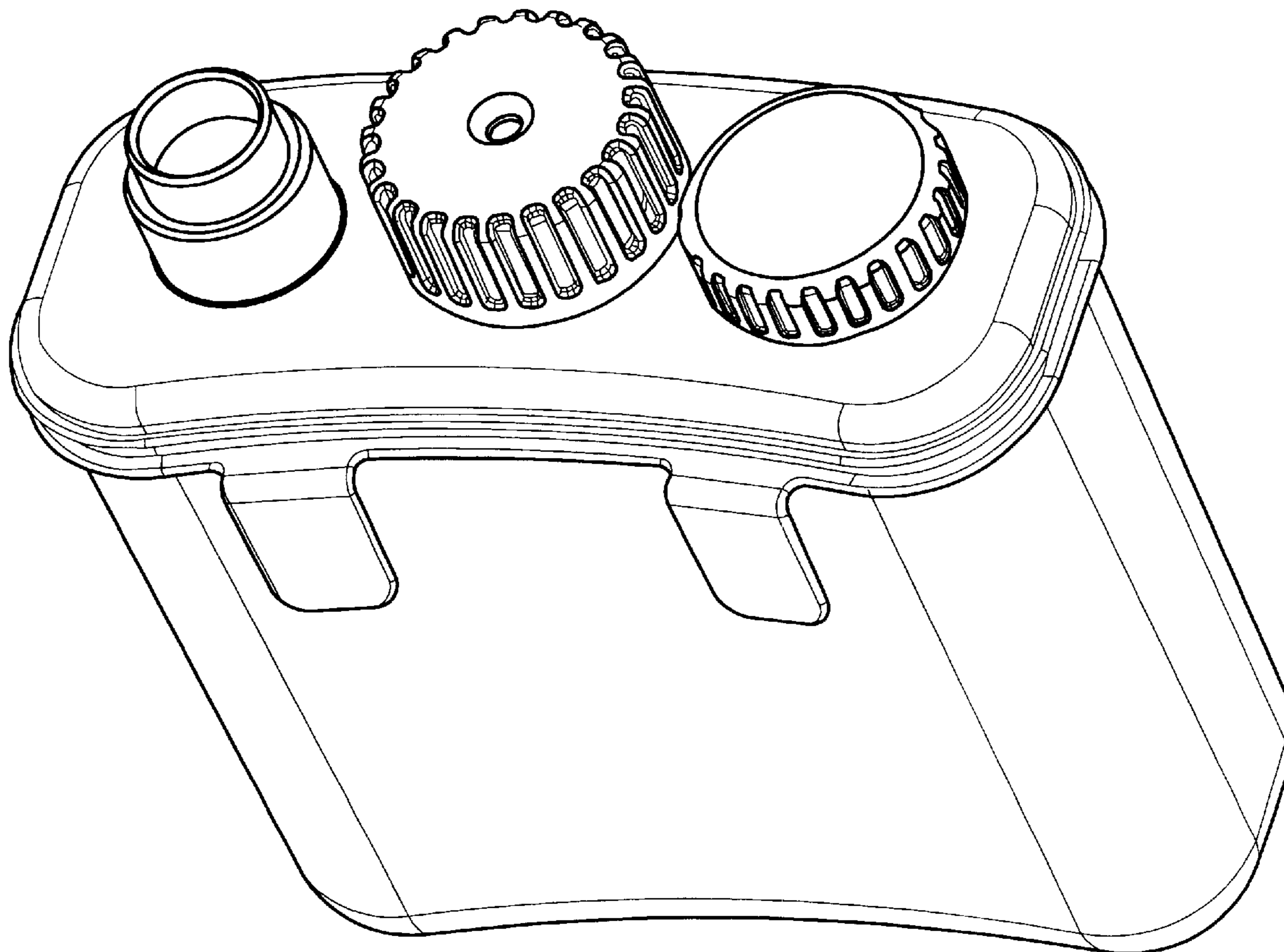
(57) **CLAIM**

The ornamental design for a canister for air filtration system,
as shown and described.

DESCRIPTION

FIG. 1 is a perspective view of a canister for air filtration system showing our new design;
FIG. 2 is a rear elevational view thereof;
FIG. 3 is a front elevational view thereof;
FIG. 4 is a top plan view thereof;
FIG. 5 is a bottom plan view thereof;
FIG. 6 is a left side elevational view thereof;
FIG. 7 is a right side elevational view; and,
FIG. 8 an exploded perspective view thereof.

1 Claim, 8 Drawing Sheets



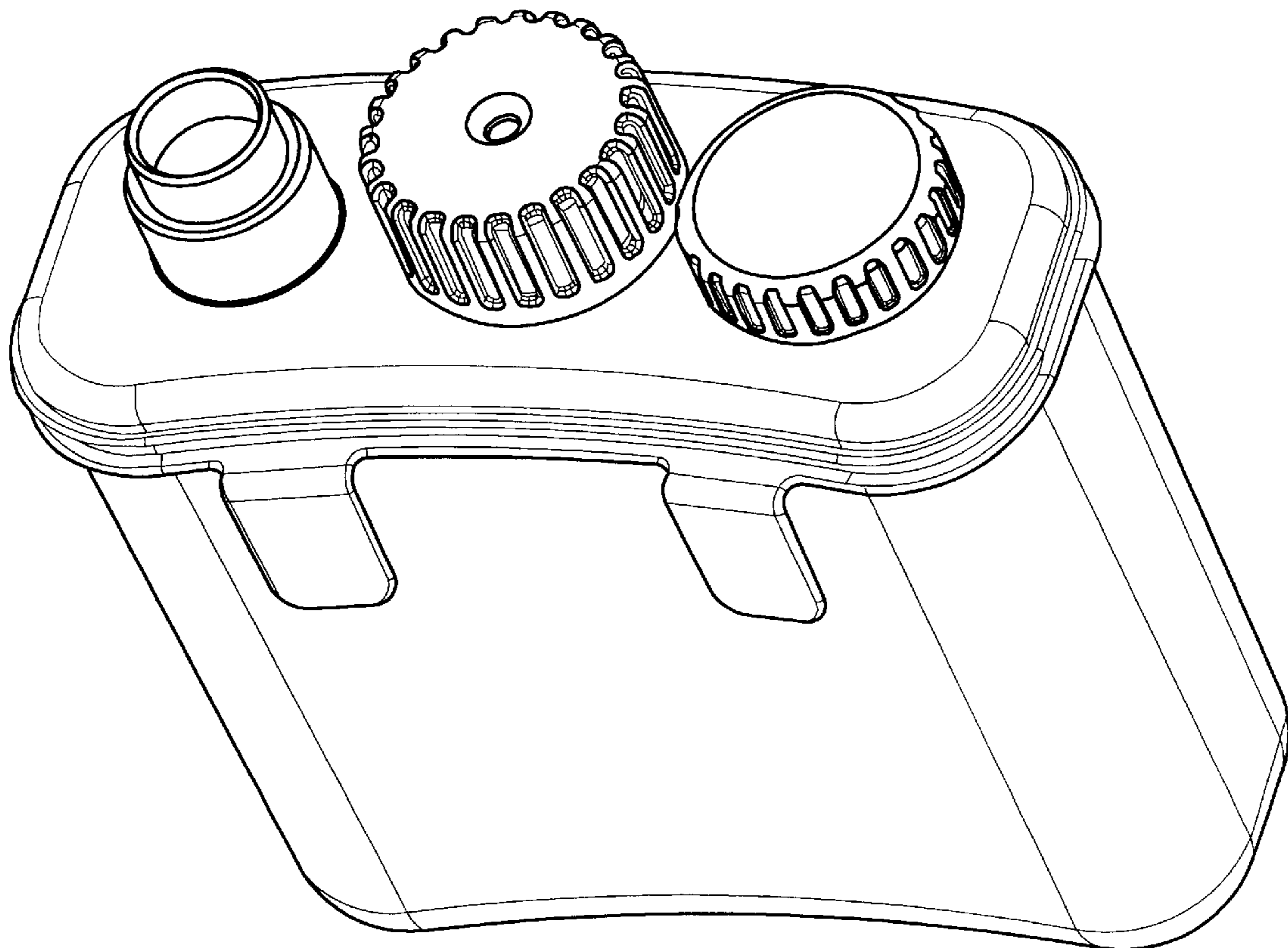


Fig. 1

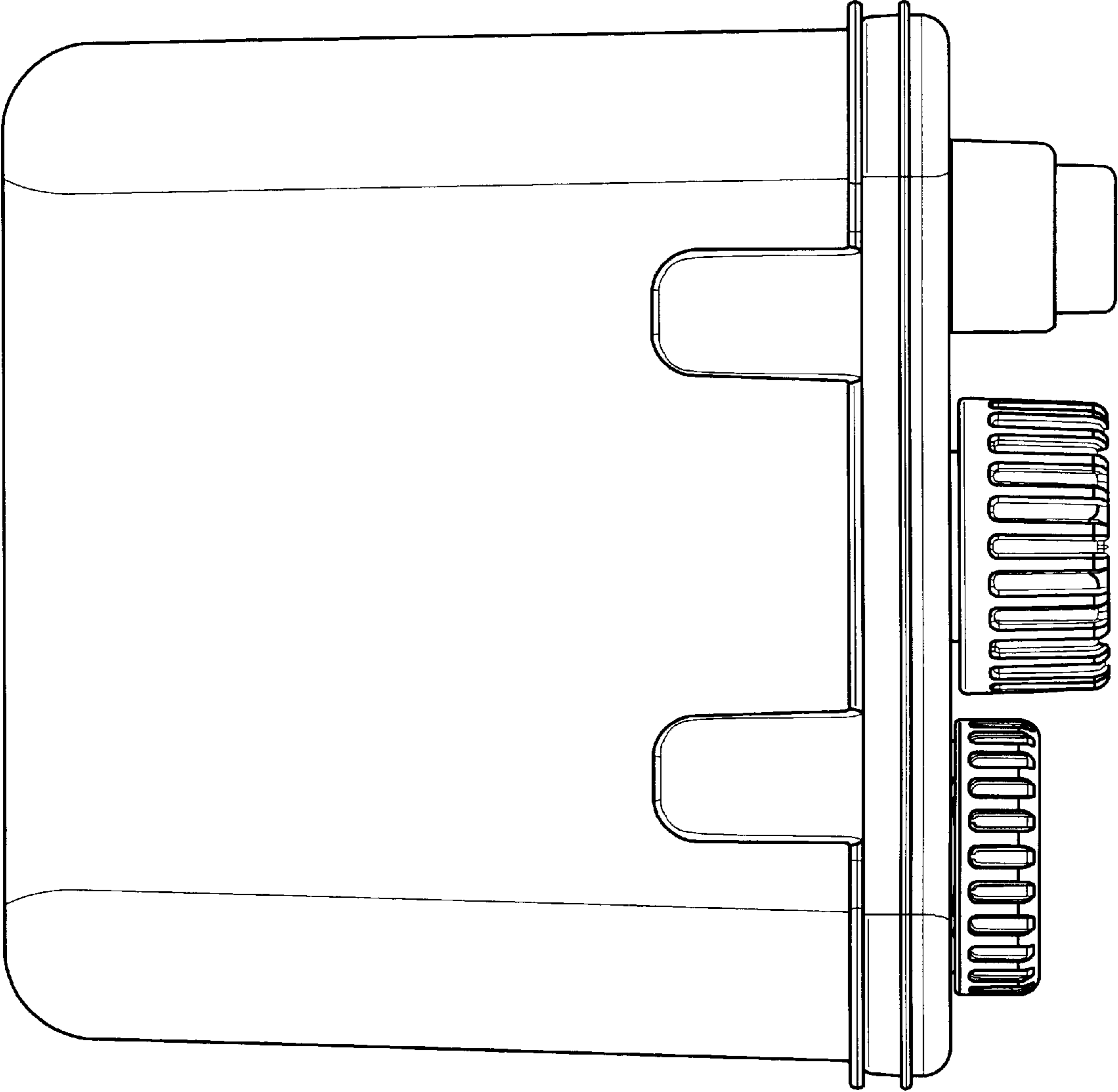


Fig. 2

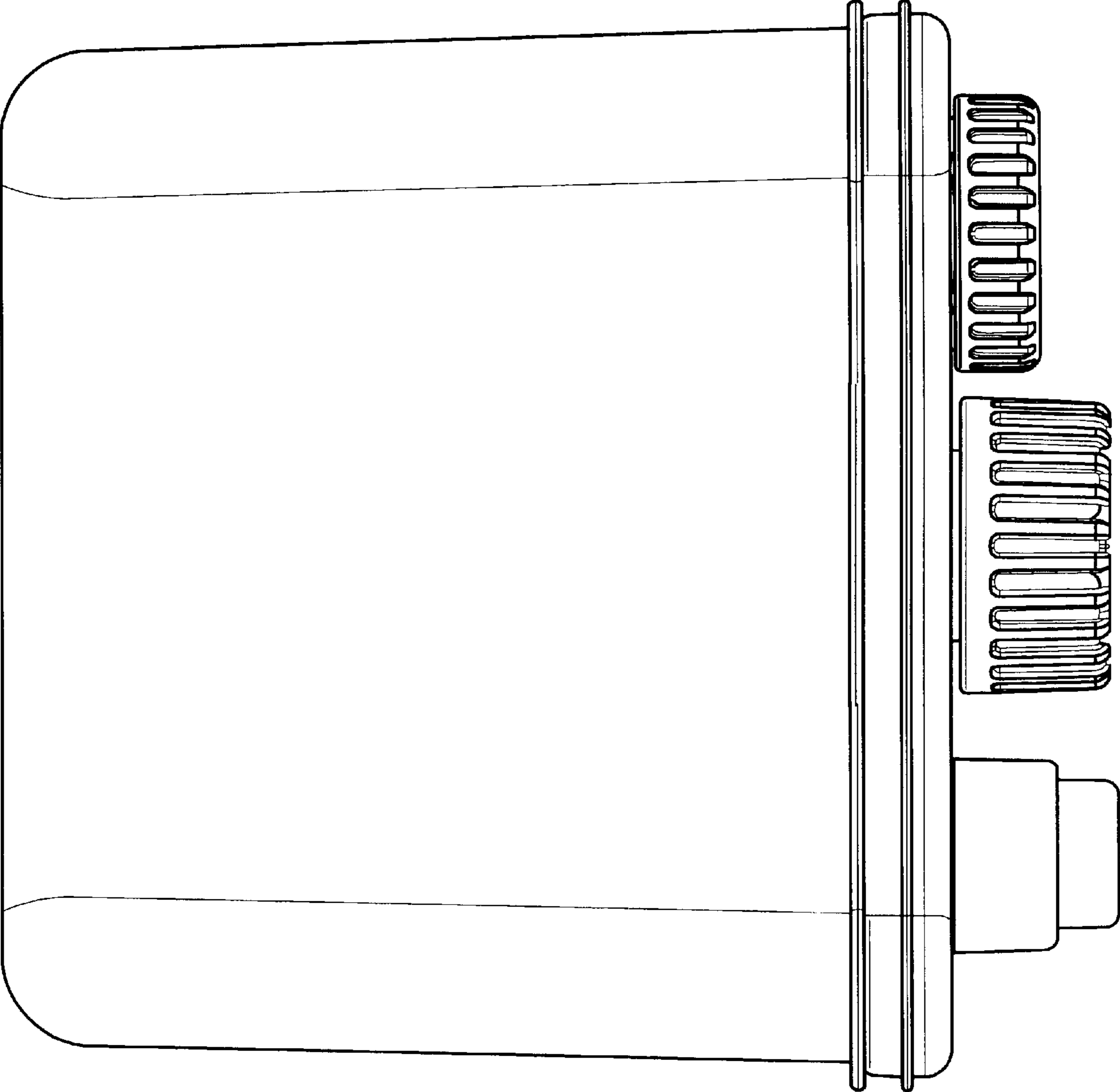


Fig. 3

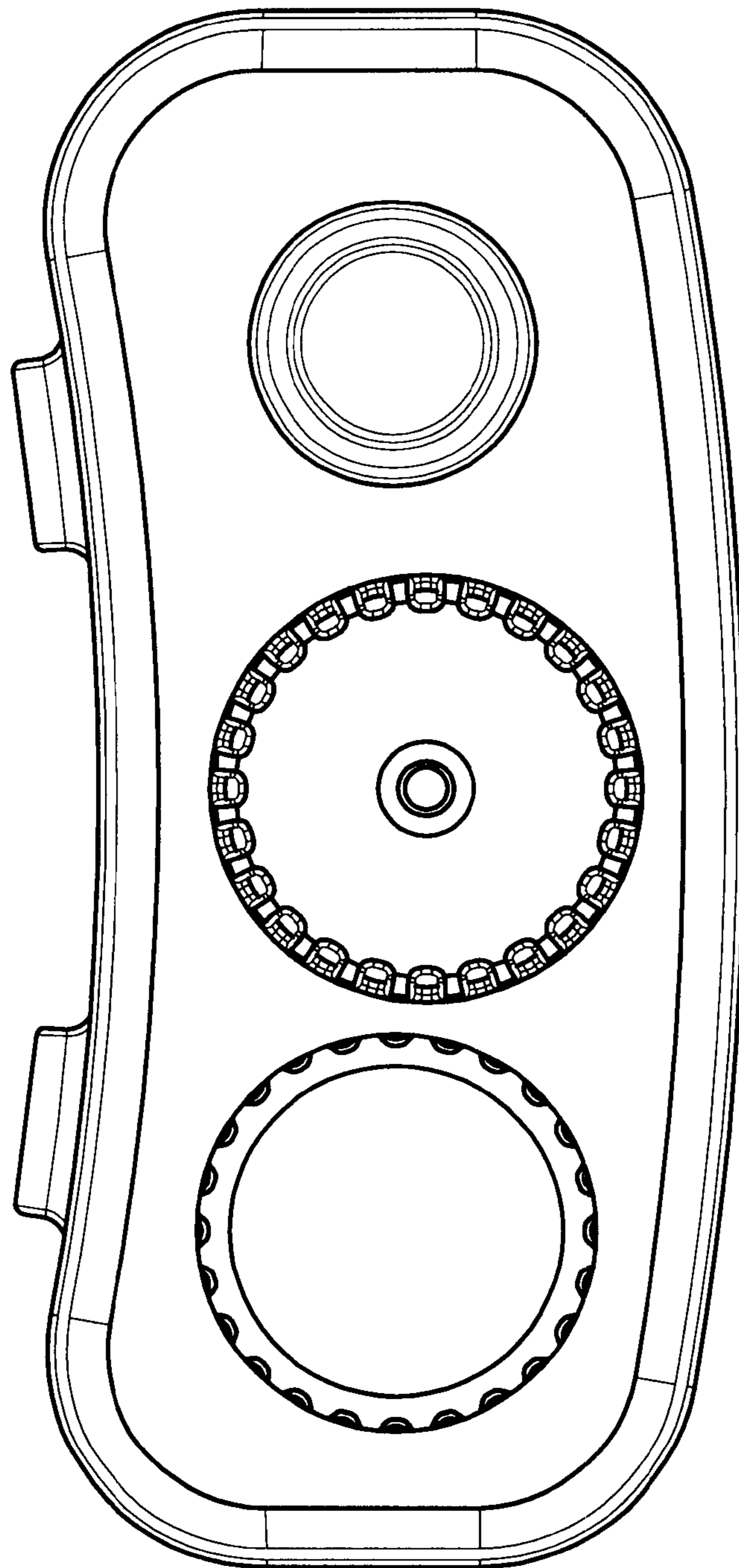


Fig. 4

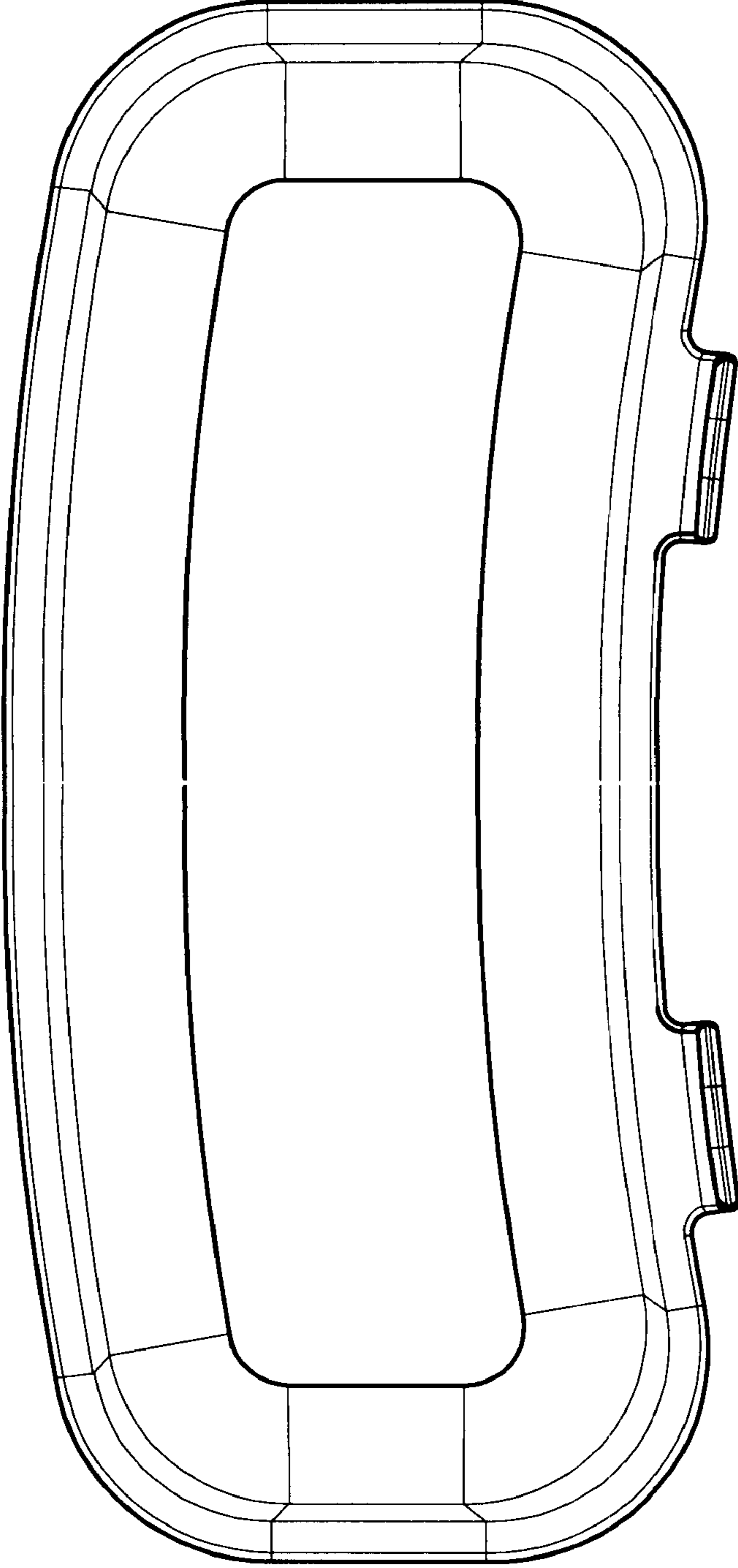


Fig. 5

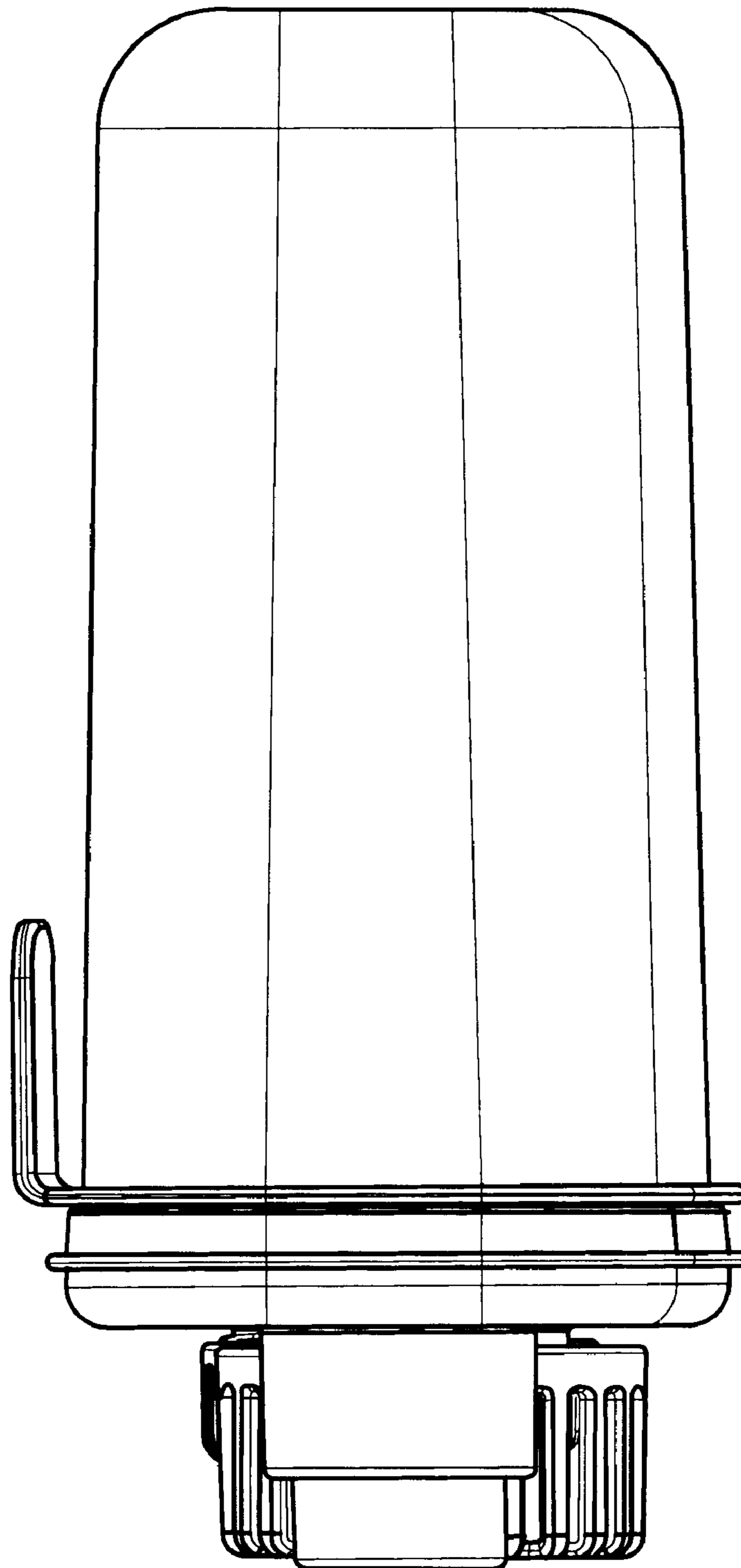


Fig. 6

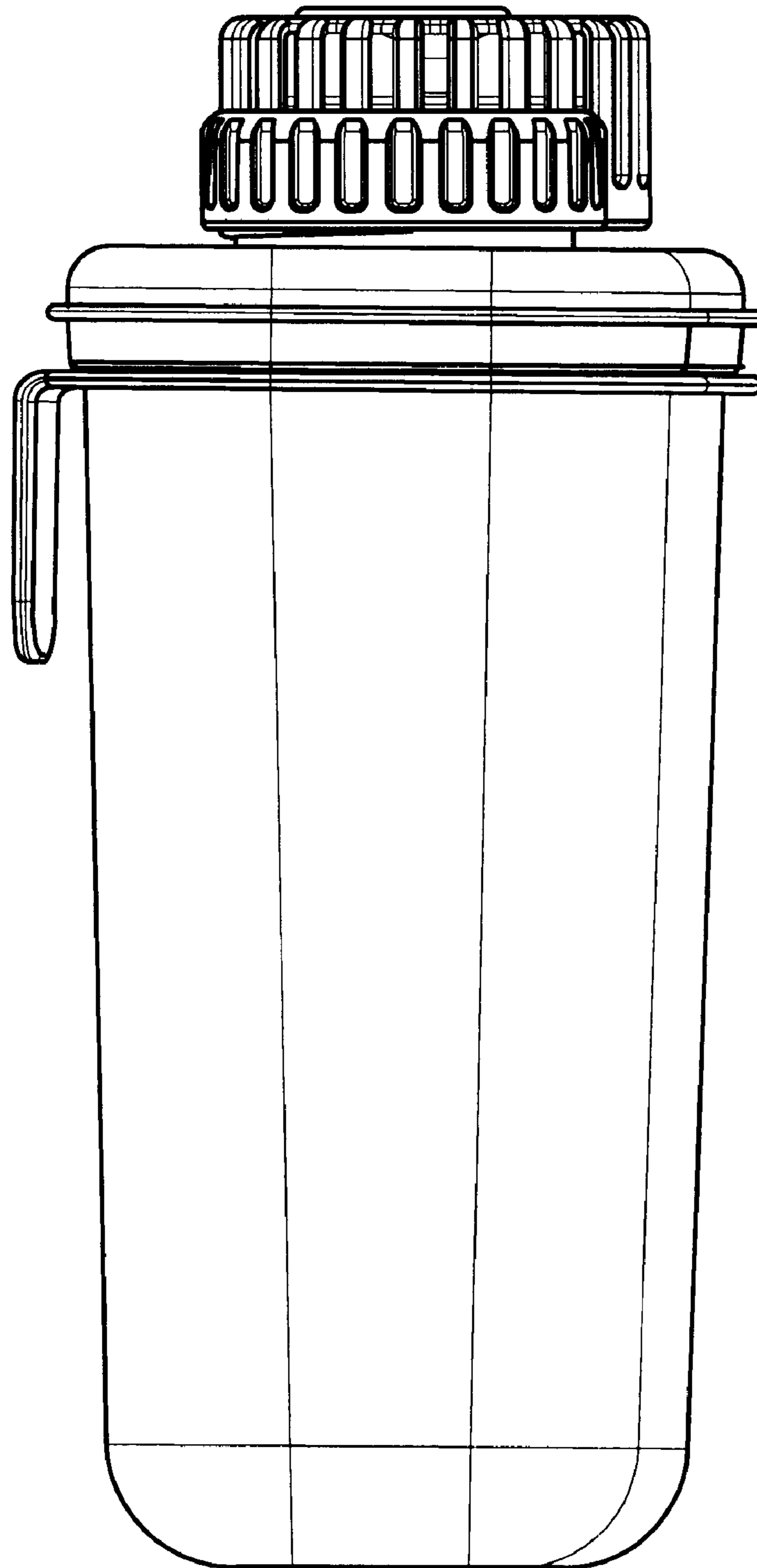


Fig. 7

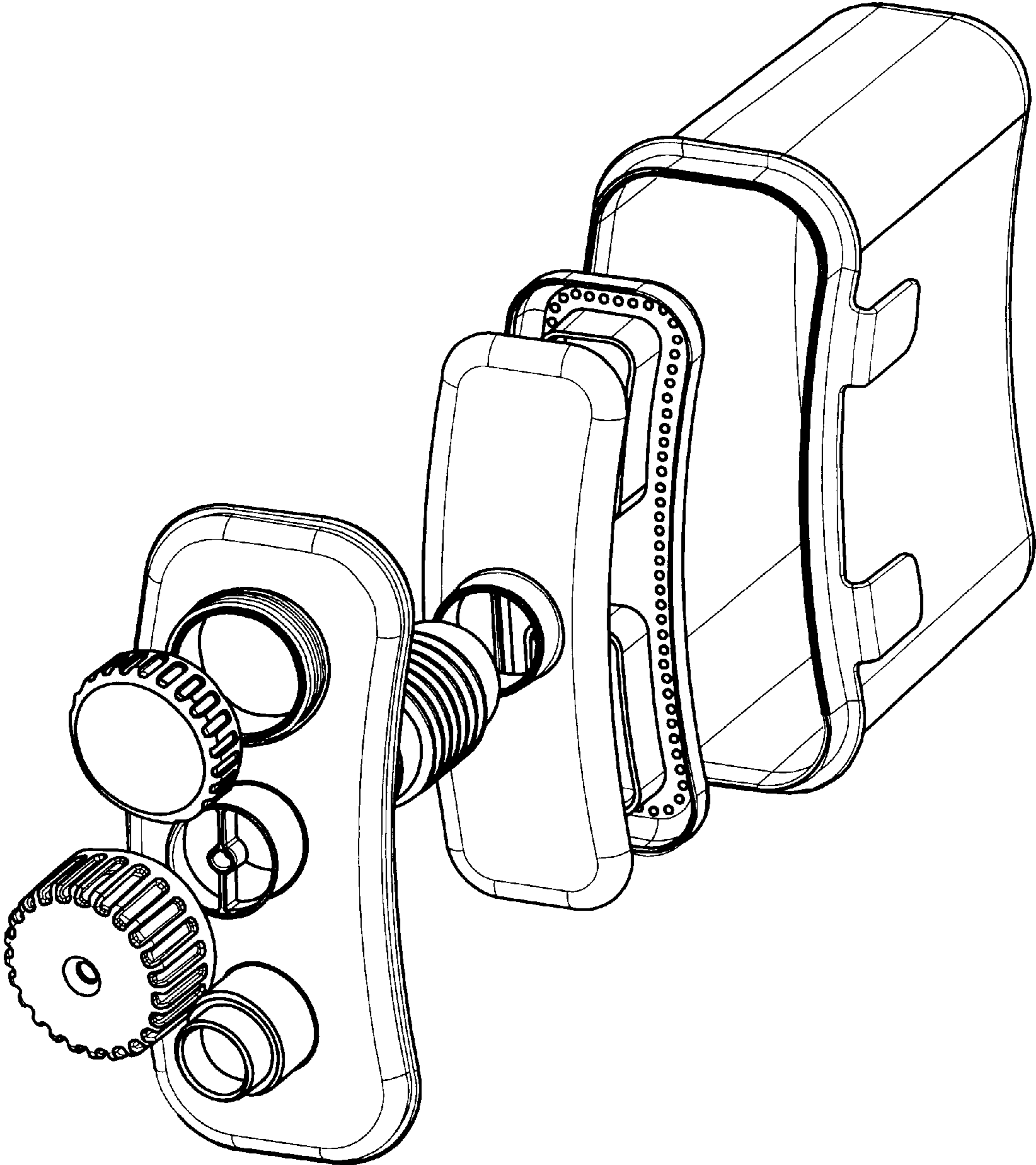


Fig. 8