

US00D507083S

(12) **United States Design Patent**  
**Miller et al.**

(10) **Patent No.: US D507,083 S**  
(45) **Date of Patent: \*\* Jul. 5, 2005**

(54) **LITTER SCOOP**

(76) Inventors: **RuthAnne Miller**, c/o Felinicity, Inc.  
27 E. 22nd St., Suite 10B, New York,  
NY (US) 10010; **Adrianna Fusco**, c/o  
Felinicity, Inc. 27 E. 22nd St., Suite  
10B, New York, NY (US) 10010

(\*\*) **Term: 14 Years**

(21) **Appl. No.: 29/209,648**

(22) **Filed: Jul. 20, 2004**

D278,257 S	4/1985	D'Ambra, Jr. et al.
D296,345 S	6/1988	Kushner
4,979,623 A *	12/1990	Flanagan ..... 209/419
D329,759 S	9/1992	Gandy
D366,193 S *	1/1996	Ozburn ..... D8/10
D398,197 S *	9/1998	Deglon ..... D7/689
D417,088 S	11/1999	Patten
6,027,773 A	2/2000	Sterr et al.
D427,031 S *	6/2000	Winchester ..... D8/10
D429,853 S *	8/2000	Hammond ..... D30/162
6,234,549 B1 *	5/2001	Brownell ..... 294/1.3
D451,652 S *	12/2001	Lewis et al. .... D30/162
6,416,097 B1 *	7/2002	O'Rourke ..... 209/418
D497,948 S *	11/2004	Miller ..... D7/692

**Related U.S. Application Data**

(62) Division of application No. 29/155,564, filed on Feb. 12, 2002, now Pat. No. Des. 502,576.

(51) **LOC (8) Cl. .... 30-99**

(52) **U.S. Cl. .... D30/162; D7/692; D8/10**

(58) **Field of Search .... D30/162; D32/74;**  
D7/667, 683, 688-692; D8/10; 15/257.1-257.4;  
119/651, 867; 209/418-419; 294/1.1, 1.3,  
1.4, 7, 8-9, 49, 50.7, 51, 53.5, 54.5, 55

(56) **References Cited**

**U.S. PATENT DOCUMENTS**

433,546 A *	8/1890	Smith ..... D7/692
1,619,266 A *	3/1927	Miller ..... 209/419
1,675,092 A *	6/1928	Cipriano ..... 209/419
D159,019 S	6/1950	Valentine
D193,439 S *	8/1962	Severance ..... D8/10
D236,767 S	9/1975	McKelvey
3,976,564 A *	8/1976	Holder ..... 294/55

\* cited by examiner

*Primary Examiner*—Cathy Anne MacCormac  
(74) *Attorney, Agent, or Firm*—Cowan Liebowitz &  
Latman, P.C.; Mark Montague

(57) **CLAIM**

An ornamental design for a litter scoop, as shown and described.

**DESCRIPTION**

FIG. 1 is a perspective view of the litter scoop of the present invention;

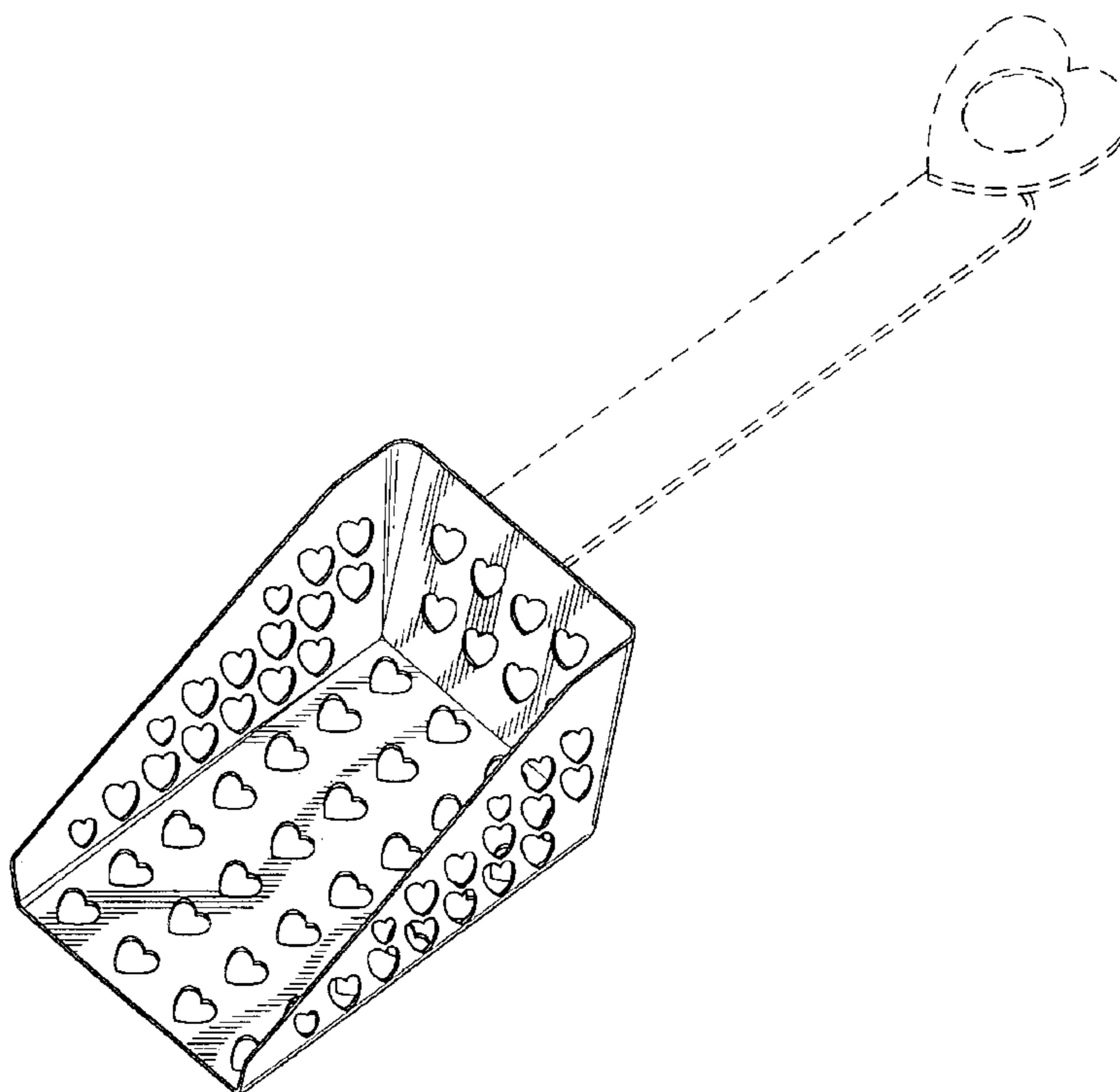
FIG. 2 is a top plan view thereof;

FIG. 3 is a right side elevational view thereof; and,

FIG. 4 is a left side elevational view thereof.

The broken lines shown are for illustrative purposes only and form no part of the claimed design.

**1 Claim, 3 Drawing Sheets**



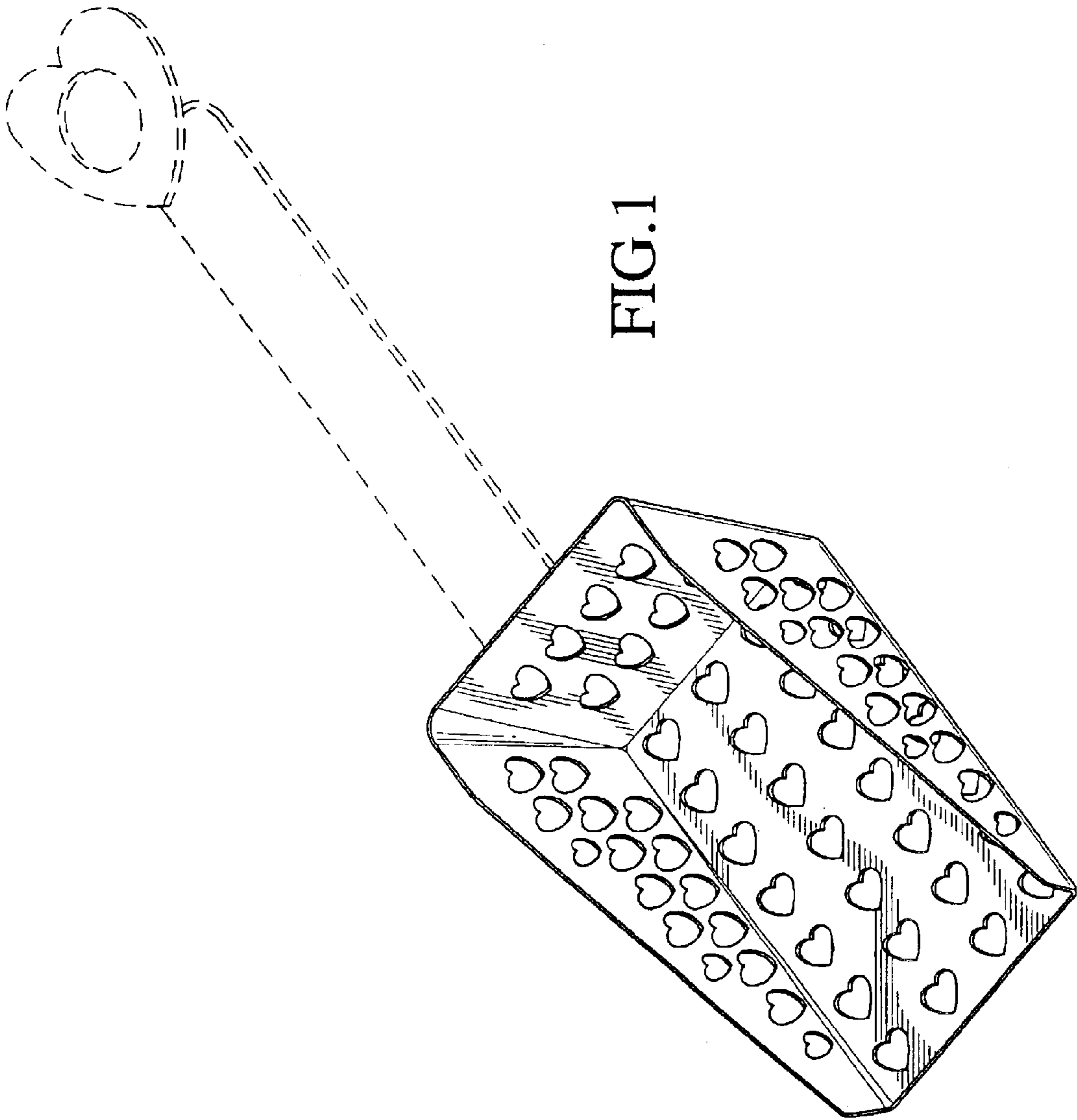


FIG. 1

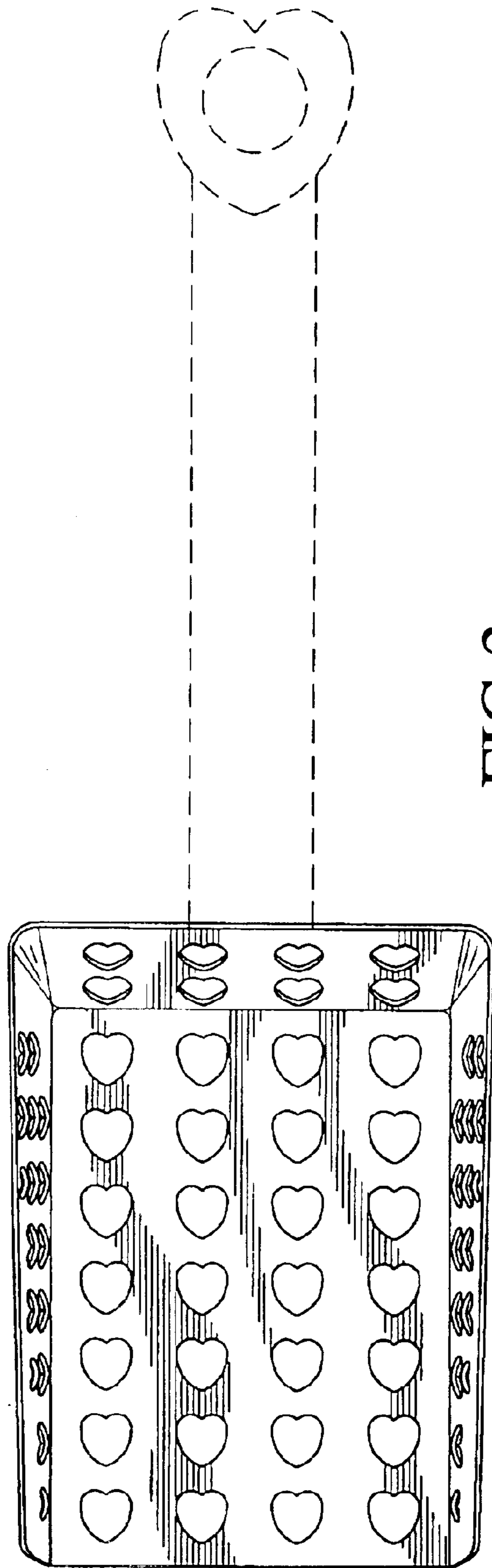


FIG.2

