

US00D507078S

(12) **United States Design Patent**
Greenfield

(10) **Patent No.:** **US D507,078 S**

(45) **Date of Patent:** **** Jul. 5, 2005**

(54) **COSMETICS COMPACT**

D476,572 S * 7/2003 Merritt D28/82

(76) **Inventor:** **Ronald Greenfield**, 25 Darby Dr.,
South Huntington, NY (US) 11746

* cited by examiner

(**) **Term:** **14 Years**

Primary Examiner—Jennifer Rivard

(74) *Attorney, Agent, or Firm*—Buchanan Ingersoll PC

(21) **Appl. No.:** **29/181,141**

(57) **CLAIM**

(22) **Filed:** **May 6, 2003**

The ornamental design for a cosmetics compact, as shown and described.

(51) **LOC (8) Cl.** **28-03**

DESCRIPTION

(52) **U.S. Cl.** **D28/82**

(58) **Field of Search** D28/76-84, 91;
132/293-307, 313-318; 206/581, 823

FIG. 1 is a perspective view of a cosmetics compact showing my new design.

FIG. 2 is a top plan view thereof.

FIG. 3 is a bottom plan view thereof.

FIG. 4 is a front plan view thereof.

FIG. 5 is a rear plan view thereof; and,

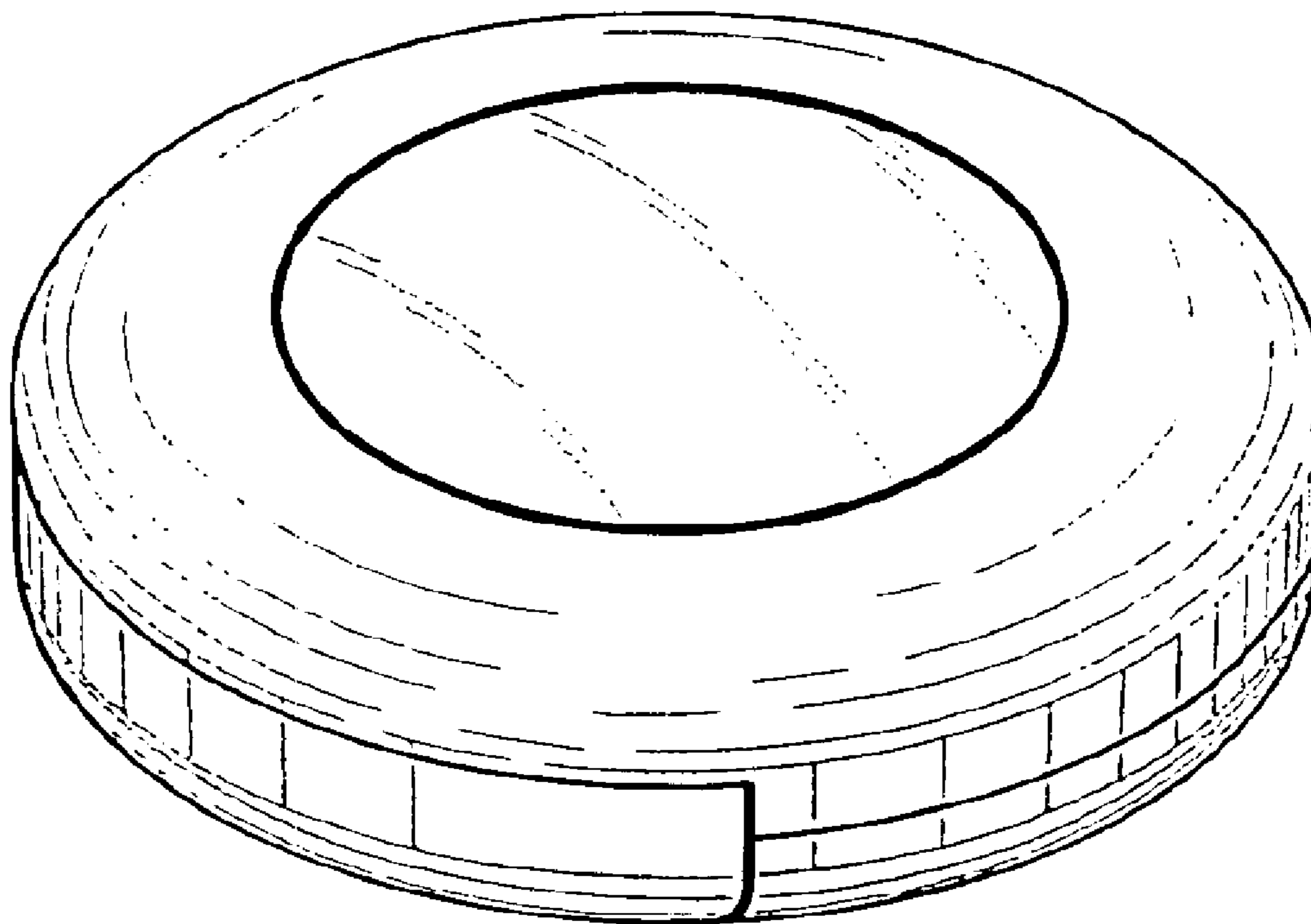
FIG. 6 is a right side plan view thereof, the left side plan view being a mirror image.

(56) **References Cited**

U.S. PATENT DOCUMENTS

- D408,590 S * 4/1999 Litton D28/82
- D408,591 S * 4/1999 Litton et al. D28/82
- 6,047,710 A * 4/2000 Irving et al. 132/293
- D439,376 S * 3/2001 Lerolle D28/82
- D460,218 S * 7/2002 Thorpe D28/82

1 Claim, 3 Drawing Sheets



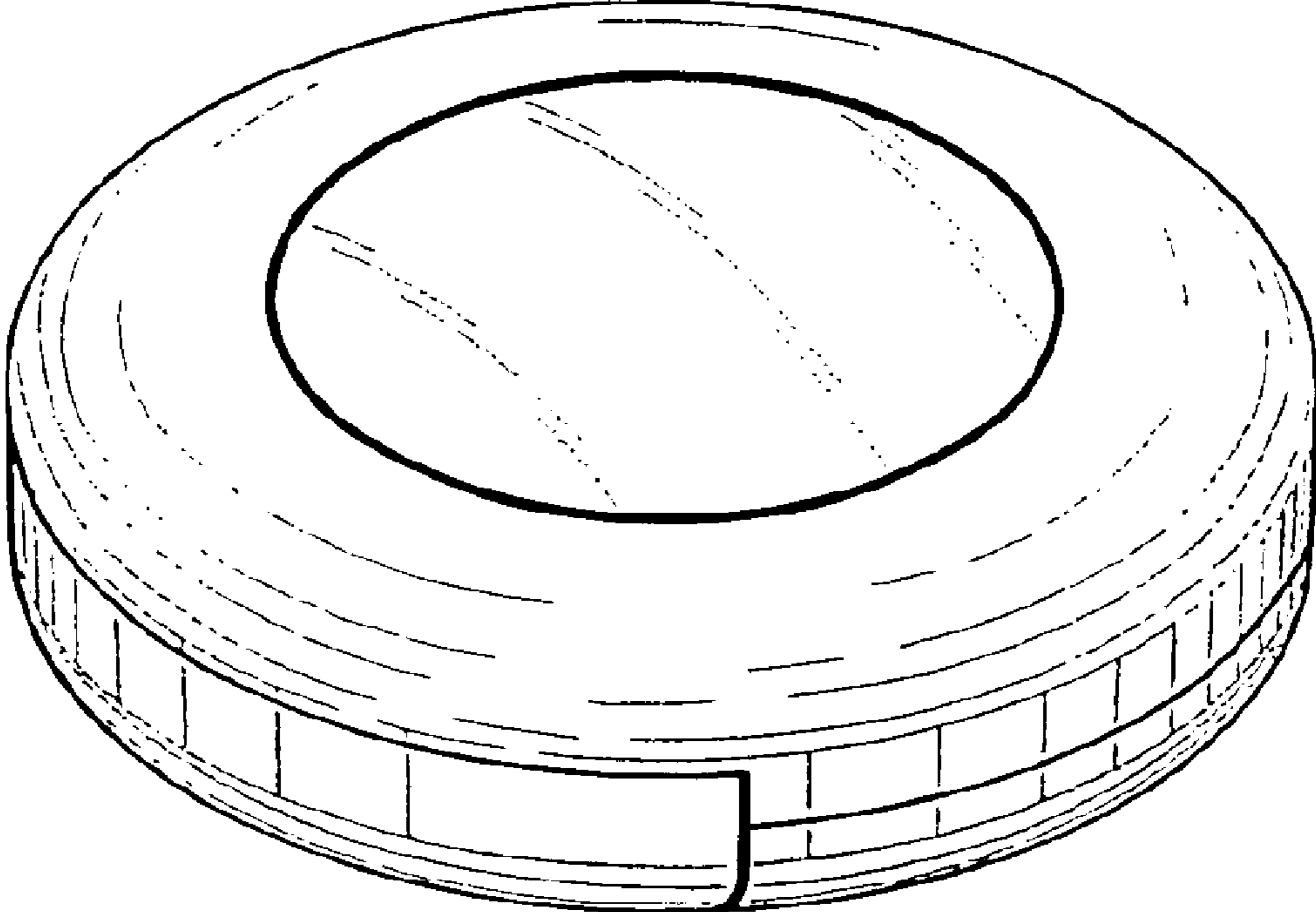


FIG. 1

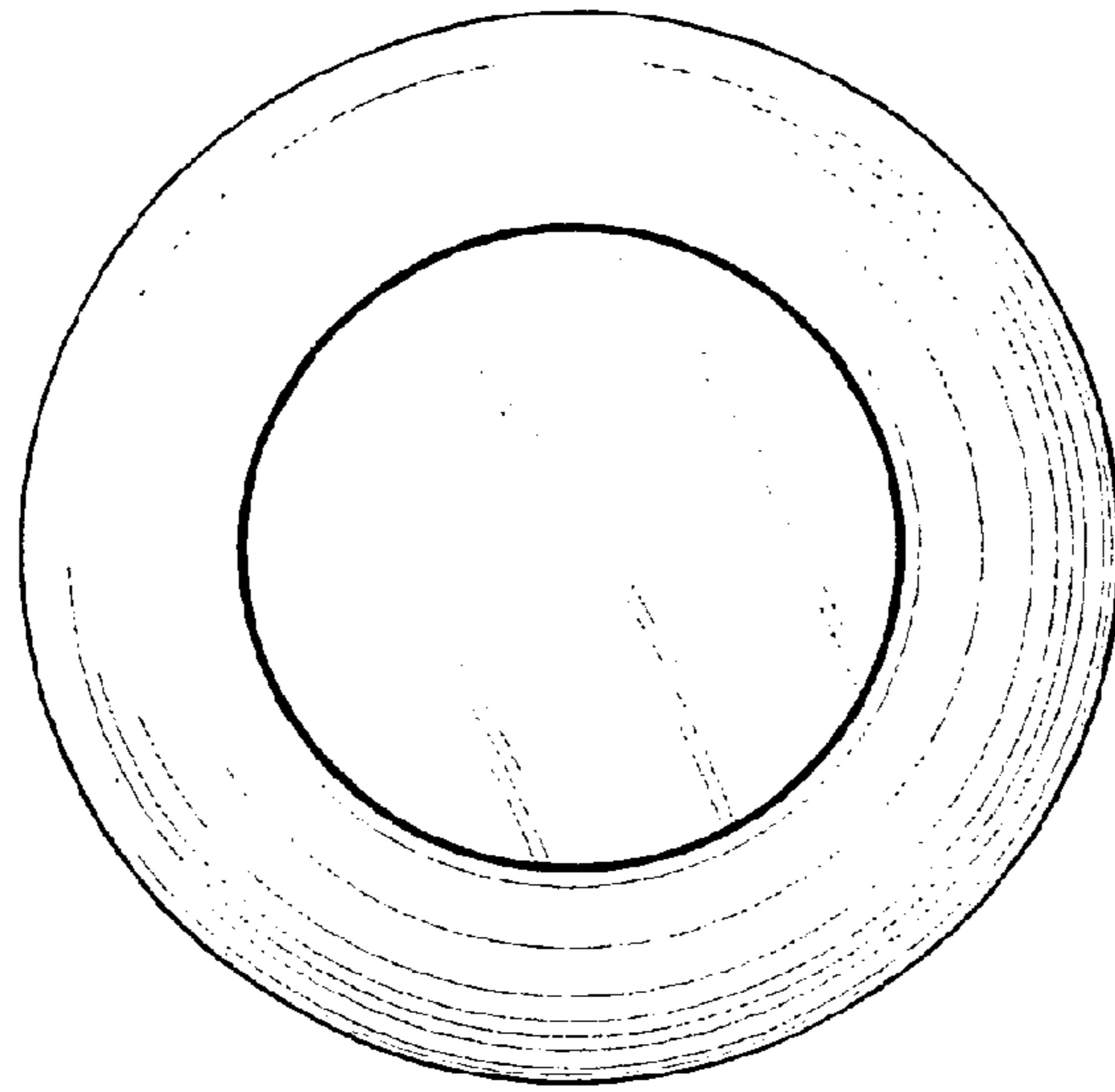


FIG. 2

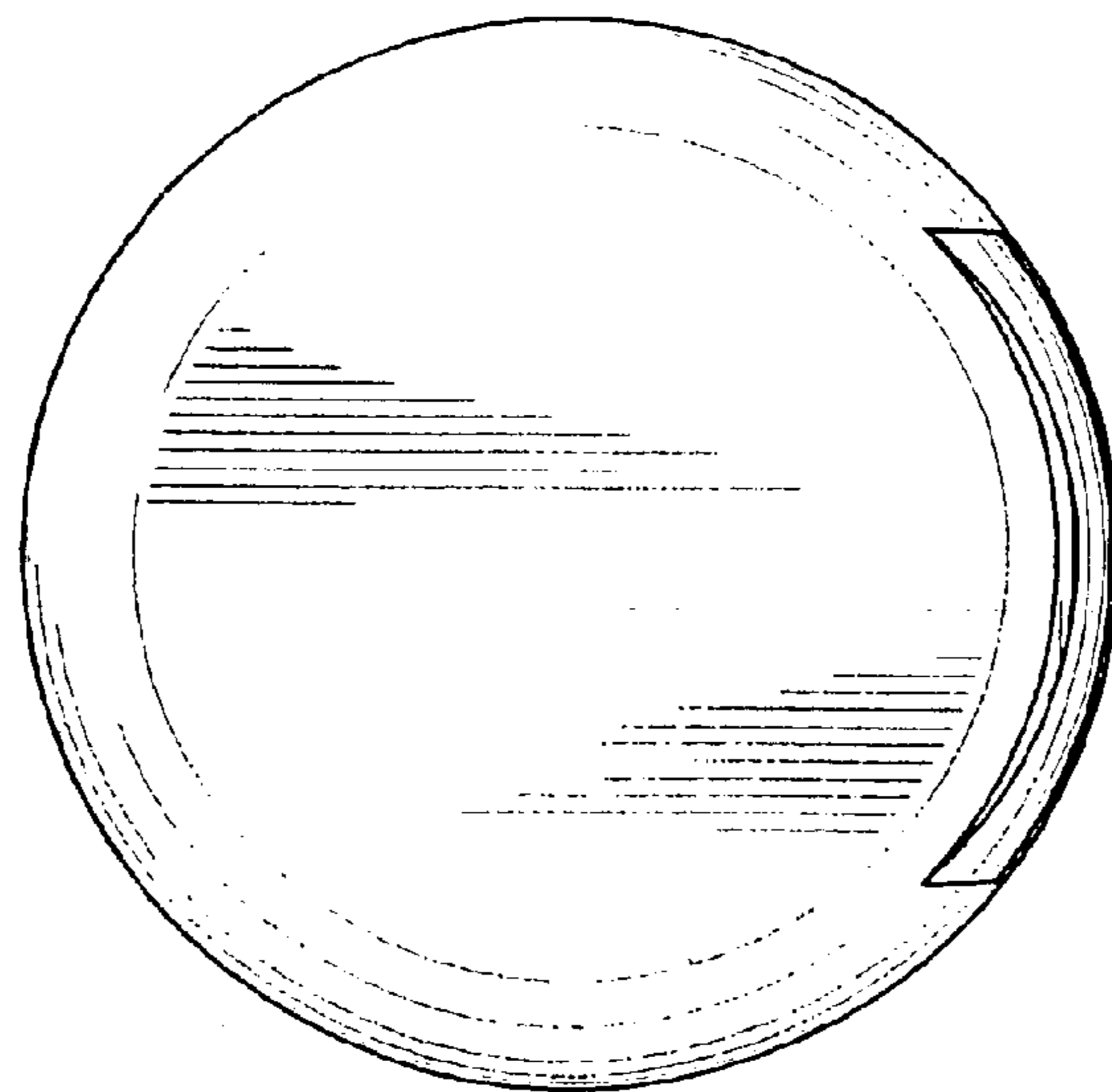


FIG. 3

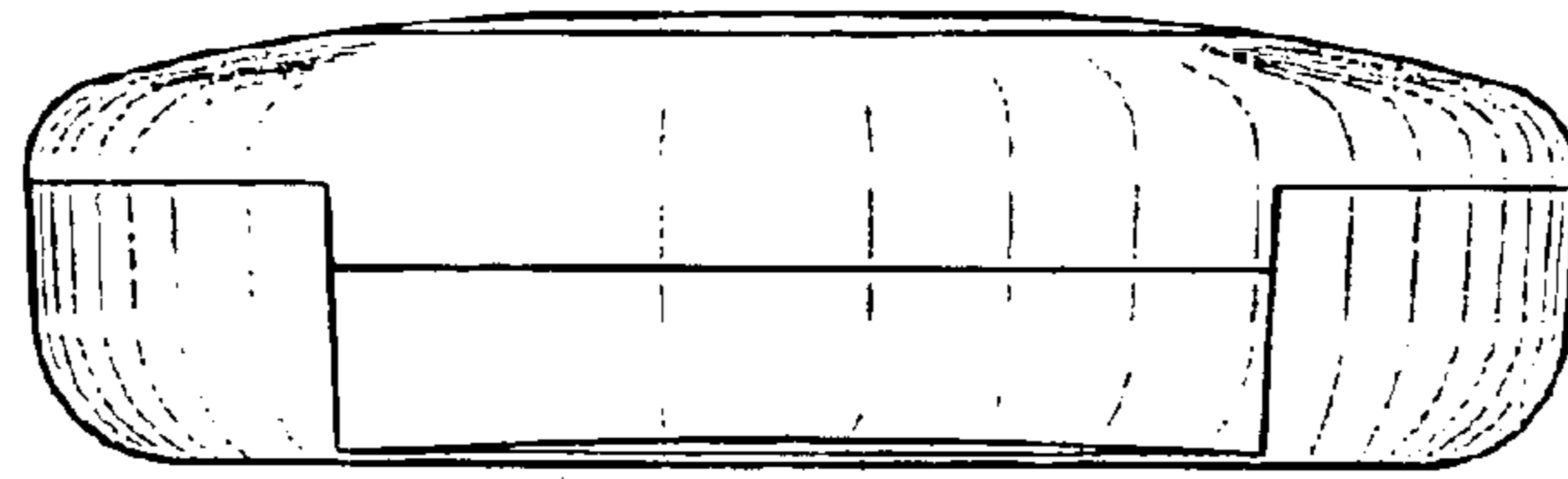


FIG. 4

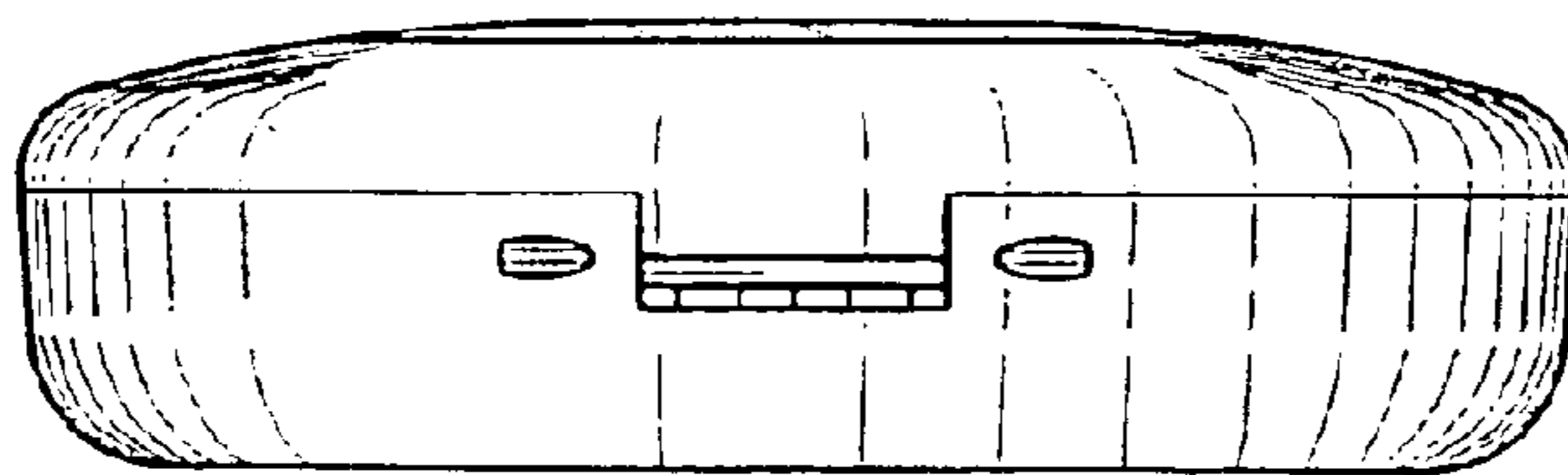


FIG. 5

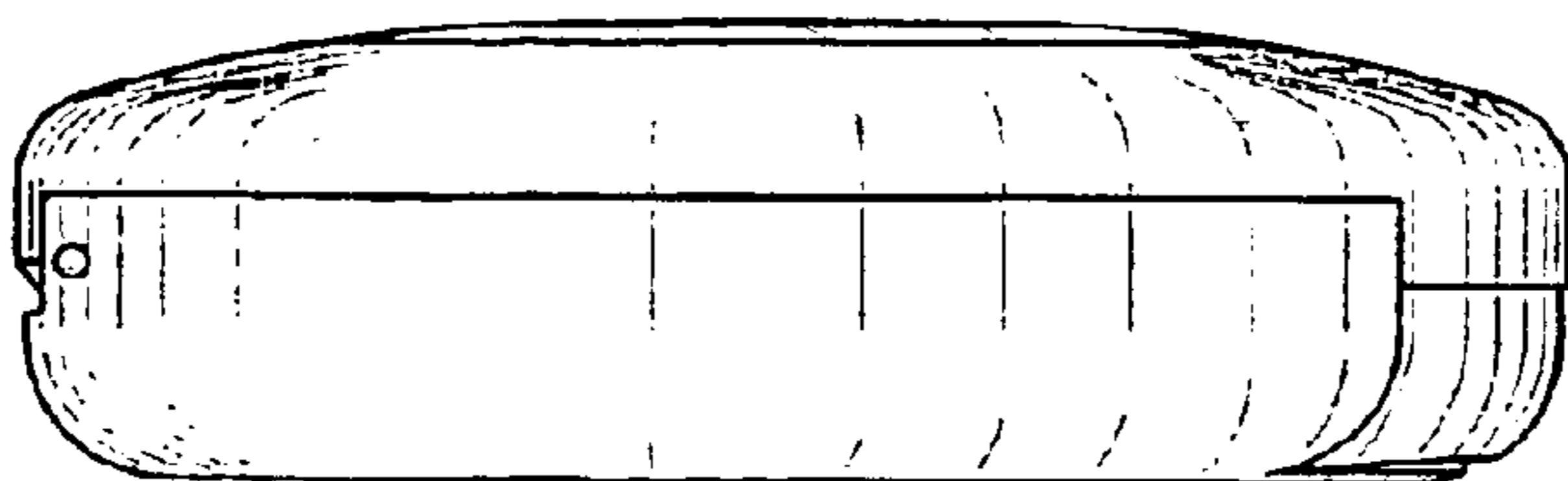


FIG. 6