

US00D507077S

(12) **United States Design Patent**
Kearson et al.

(10) **Patent No.:** **US D507,077 S**
(45) **Date of Patent:** **** Jul. 5, 2005**

(54) **NAIL CLIPPERS**

(76) Inventors: **Jannie Kearson**, 137 Eastern St., New Haven, CT (US) 06513; **Barbara Kearson**, 137 Eastern St., New Haven, CT (US) 06513

(**) Term: **14 Years**

(21) Appl. No.: **29/213,299**

(22) Filed: **Sep. 16, 2004**

(51) **LOC (8) Cl.** **28-03**

(52) **U.S. Cl.** **D28/60**

(58) **Field of Search** D28/56, 57, 60;
30/26-29; 132/73, 73.5, 75, 75.3, 75.4,
75.5, 75.6, 76.2

(56) **References Cited**

U.S. PATENT DOCUMENTS

2,664,624 A 1/1954 Bassett
3,188,737 A 6/1965 Chase

3,555,675 A 1/1971 Jurena
5,704,125 A 1/1998 Lee
D468,865 S * 1/2003 Park D28/60
6,735,869 B2 * 5/2004 Lau 30/28

* cited by examiner

Primary Examiner—Jennifer Rivard

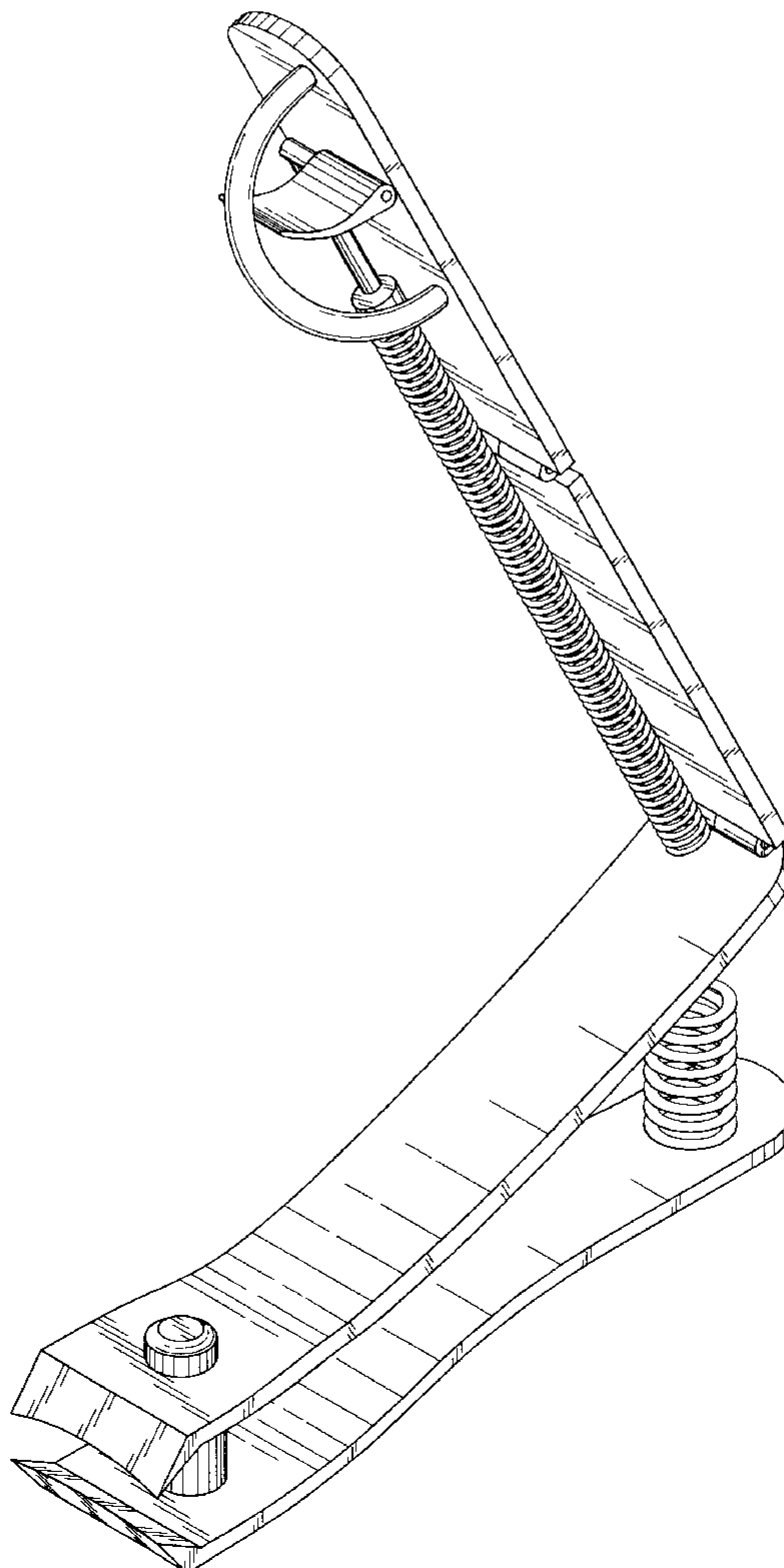
(57) **CLAIM**

The ornamental design for the nail clippers, as shown and described.

DESCRIPTION

FIG. 1 is a perspective view of the nail clippers, in accordance with the invention;
FIG. 2 is a left side elevational view thereof, the right side being identical;
FIG. 3 is a front elevational view thereof;
FIG. 4 is a rear elevational view thereof;
FIG. 5 is a top plan view thereof; and,
FIG. 6 is a bottom plan view thereof.

1 Claim, 4 Drawing Sheets



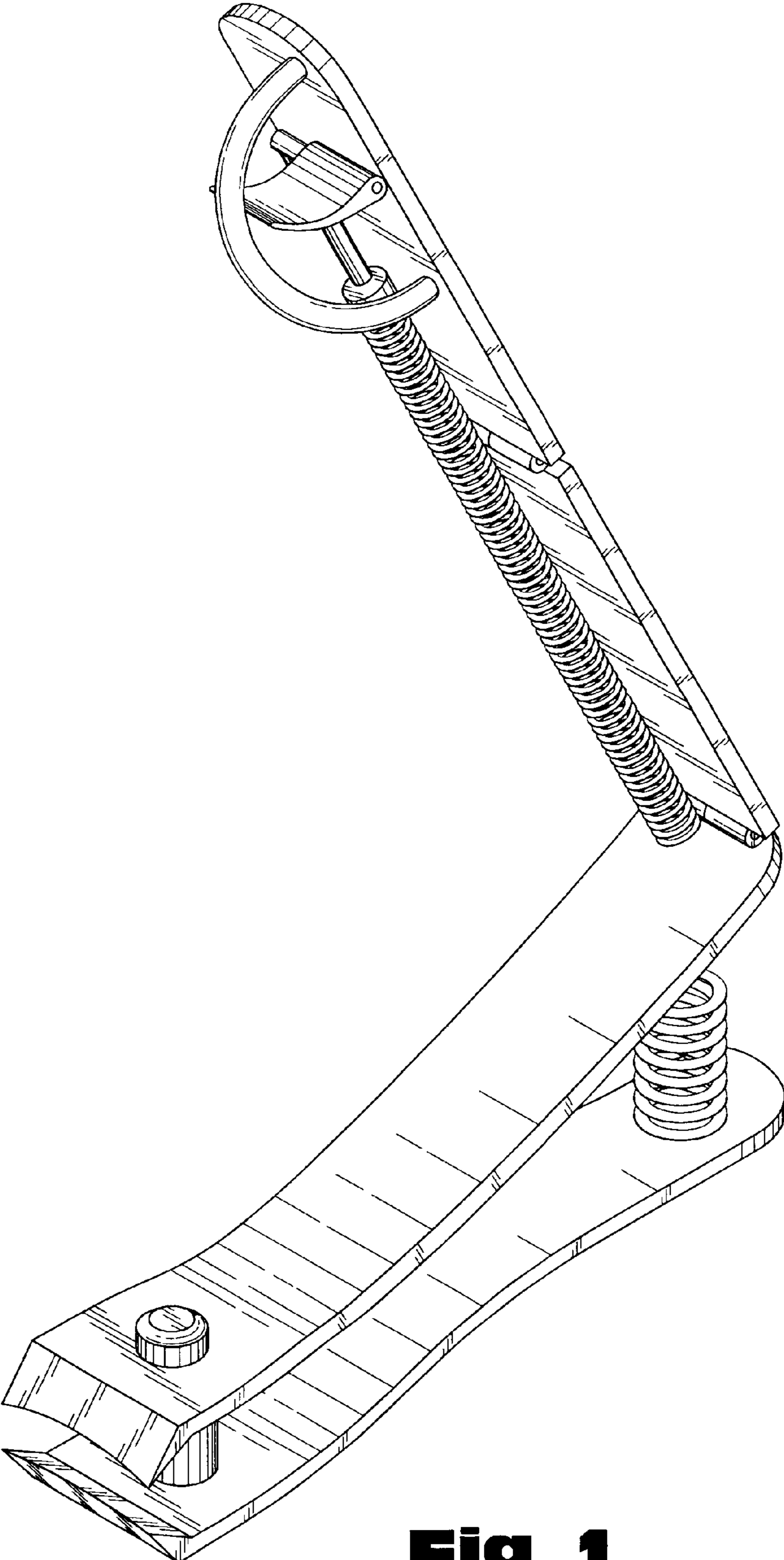


Fig. 1

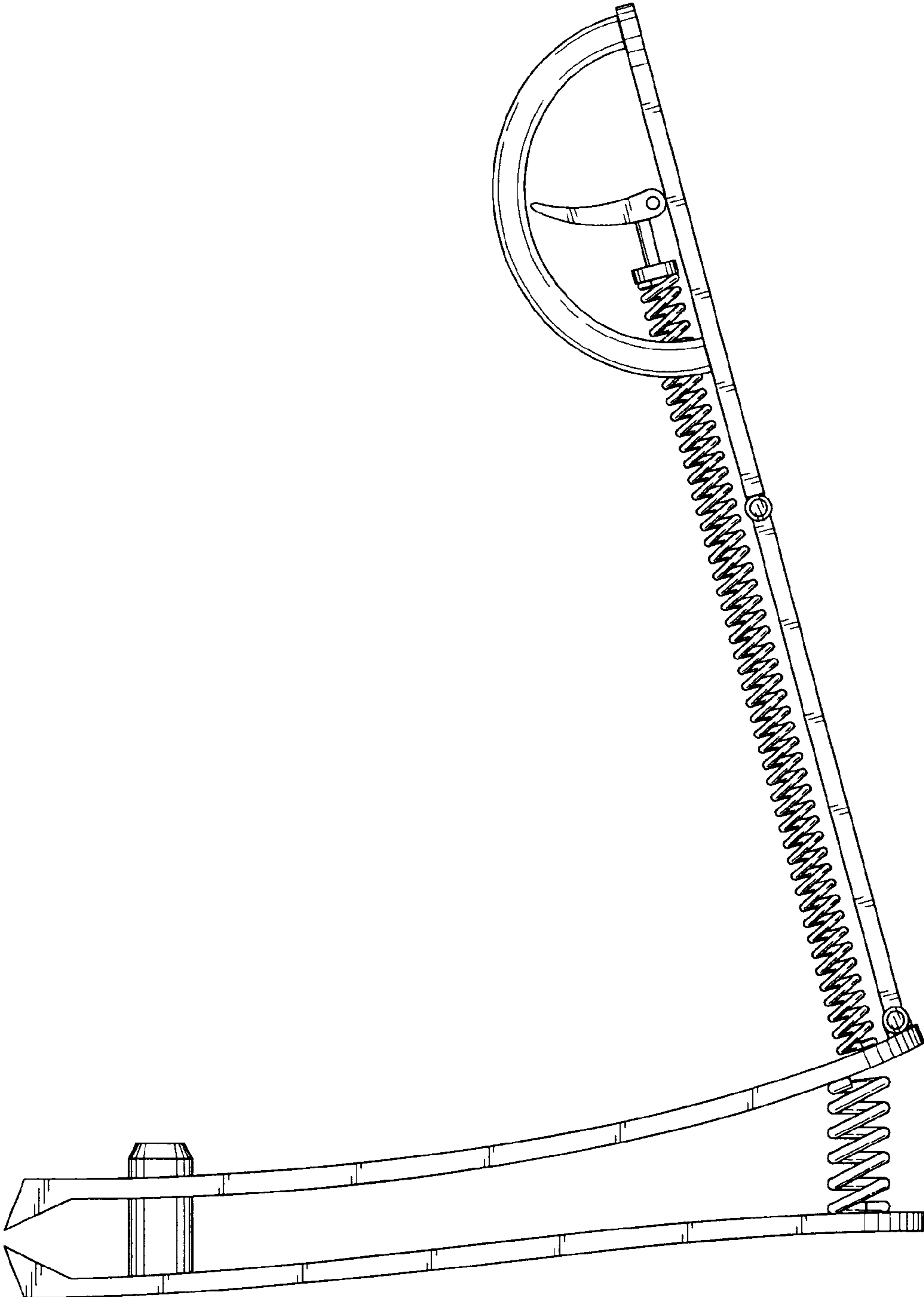


Fig. 2

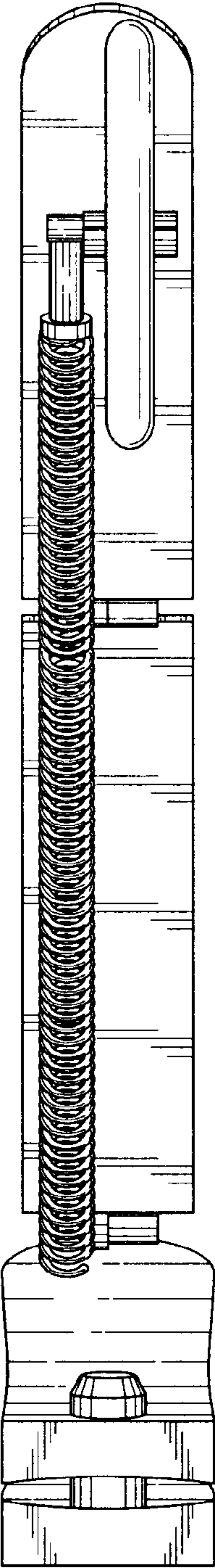


Fig. 3

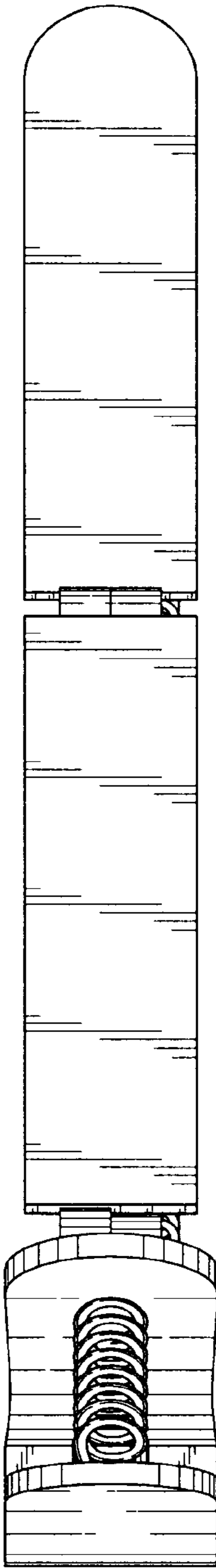


Fig. 4

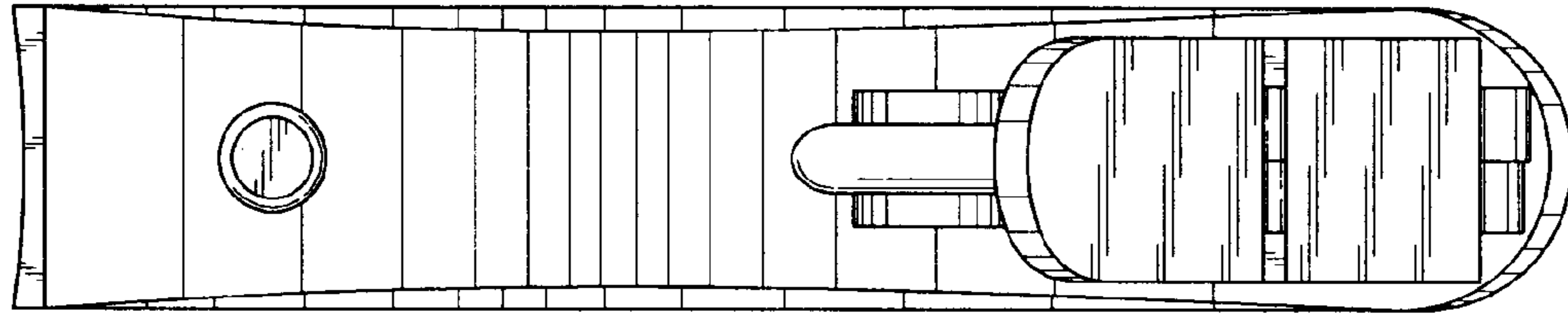


Fig. 5

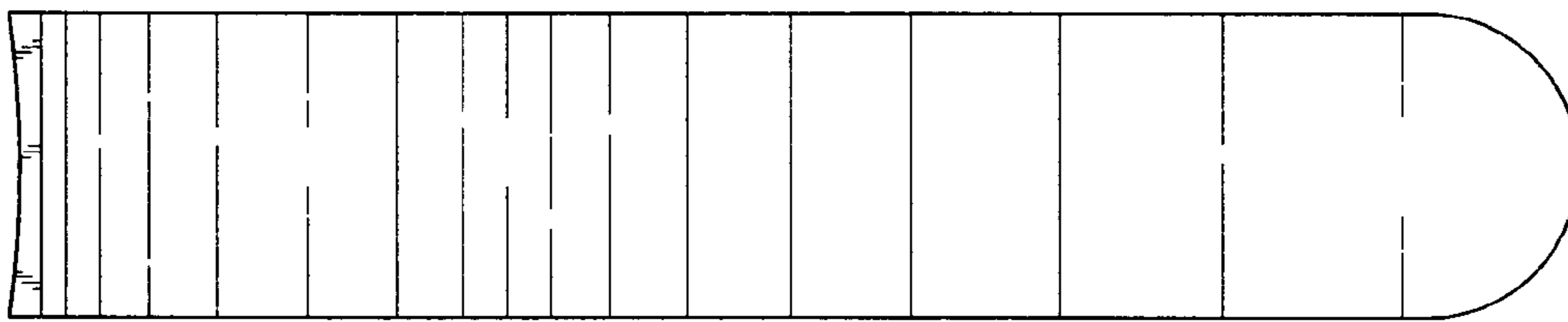


Fig. 6