



US00D507075S

(12) **United States Design Patent**
Ames

(10) **Patent No.:** **US D507,075 S**
(45) **Date of Patent:** **** Jul. 5, 2005**

(54) **APPLICATOR FOR COSMETIC PRODUCTS**

(75) Inventor: **David Ames**, Devon (GB)

(73) Assignee: **Techpack International** (FR)

(**) Term: **14 Years**

(21) Appl. No.: **29/198,555**

(22) Filed: **Jan. 30, 2004**

(30) **Foreign Application Priority Data**

Sep. 30, 2003 (FR) 03 4728

(51) **LOC (8) Cl.** **28-02**

(52) **U.S. Cl.** **D28/7; D28/8**

(58) **Field of Search** D28/7, 63, 8; D24/119;
D4/114, 137, 138, 127; D32/51, 52, 40;
132/320, 317; 401/6, 130, 202-207, 261-266,
196; 15/244.1, 104.94, 209.1, 210.1

(56) **References Cited**

U.S. PATENT DOCUMENTS

888,756 A * 5/1908 Scranton 401/130
2,012,500 A * 8/1935 Ebert et al. 15/229.13
2,043,031 A * 6/1936 Bradofrd, Jr. 15/229.11

2,242,947 A * 5/1941 Griffis 401/130
D232,150 S * 7/1974 McKinney D32/52
D233,879 S * 12/1974 Howard D32/52
5,003,659 A * 4/1991 Paepke 15/229.13
D490,561 S * 5/2004 Angeletta D28/7

* cited by examiner

Primary Examiner—Lucy Lieberman

(74) *Attorney, Agent, or Firm*—Cantor Colburn LLP

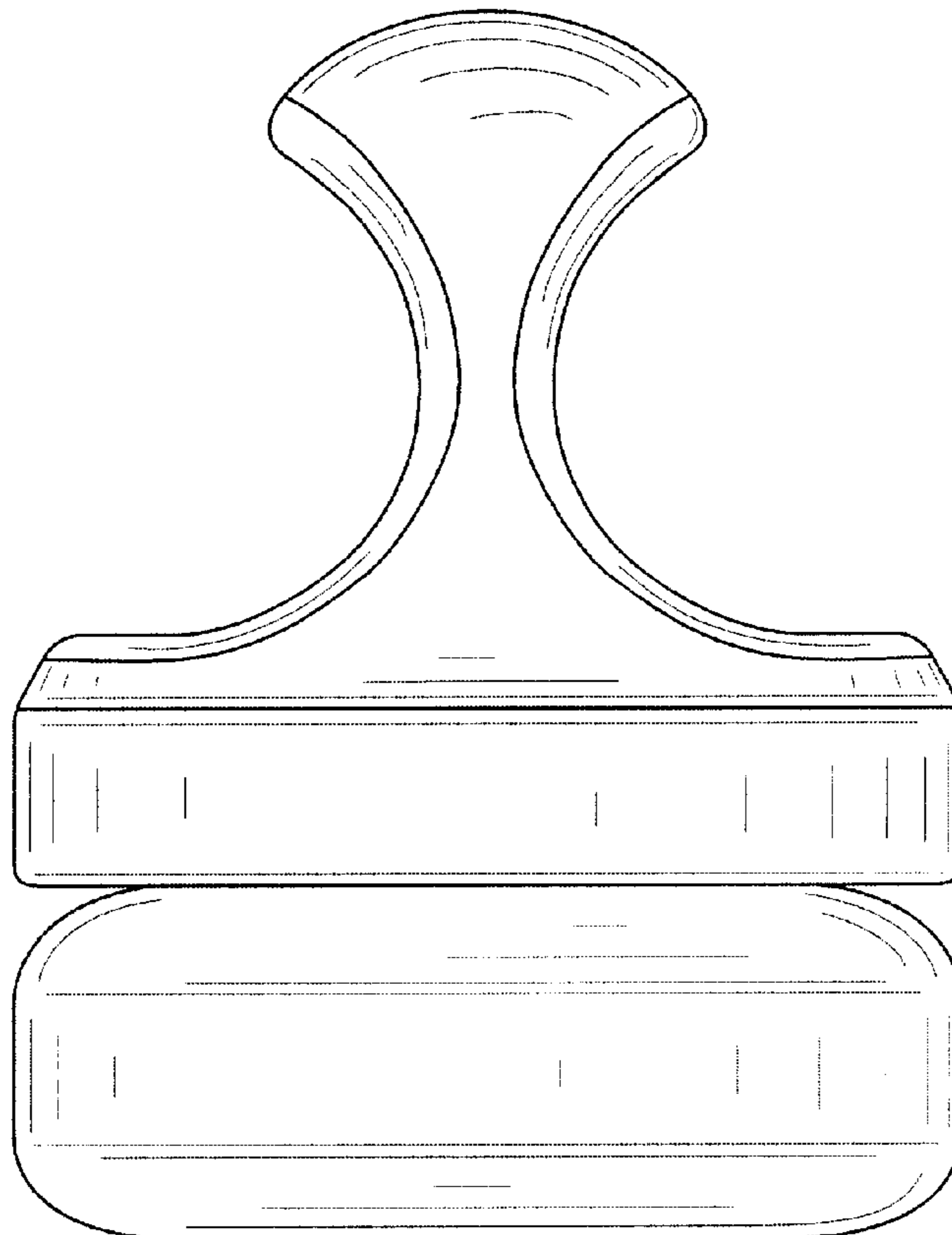
(57) **CLAIM**

The ornamental design for an applicator for cosmetic products, as shown and described.

DESCRIPTION

FIG. 1 is a top and front perspective view of an applicator for cosmetic products, showing my new design;
FIG. 2 is a front elevational view thereof, the rear view thereof opposite that shown in FIG. 2 being the mirror image thereof;
FIG. 3 is a side elevational view thereof, the side view thereof opposite that shown in FIG. 3 being the mirror image thereof;
FIG. 4 is a top plan view thereof; and,
FIG. 5 is a bottom plan view thereof.

1 Claim, 2 Drawing Sheets



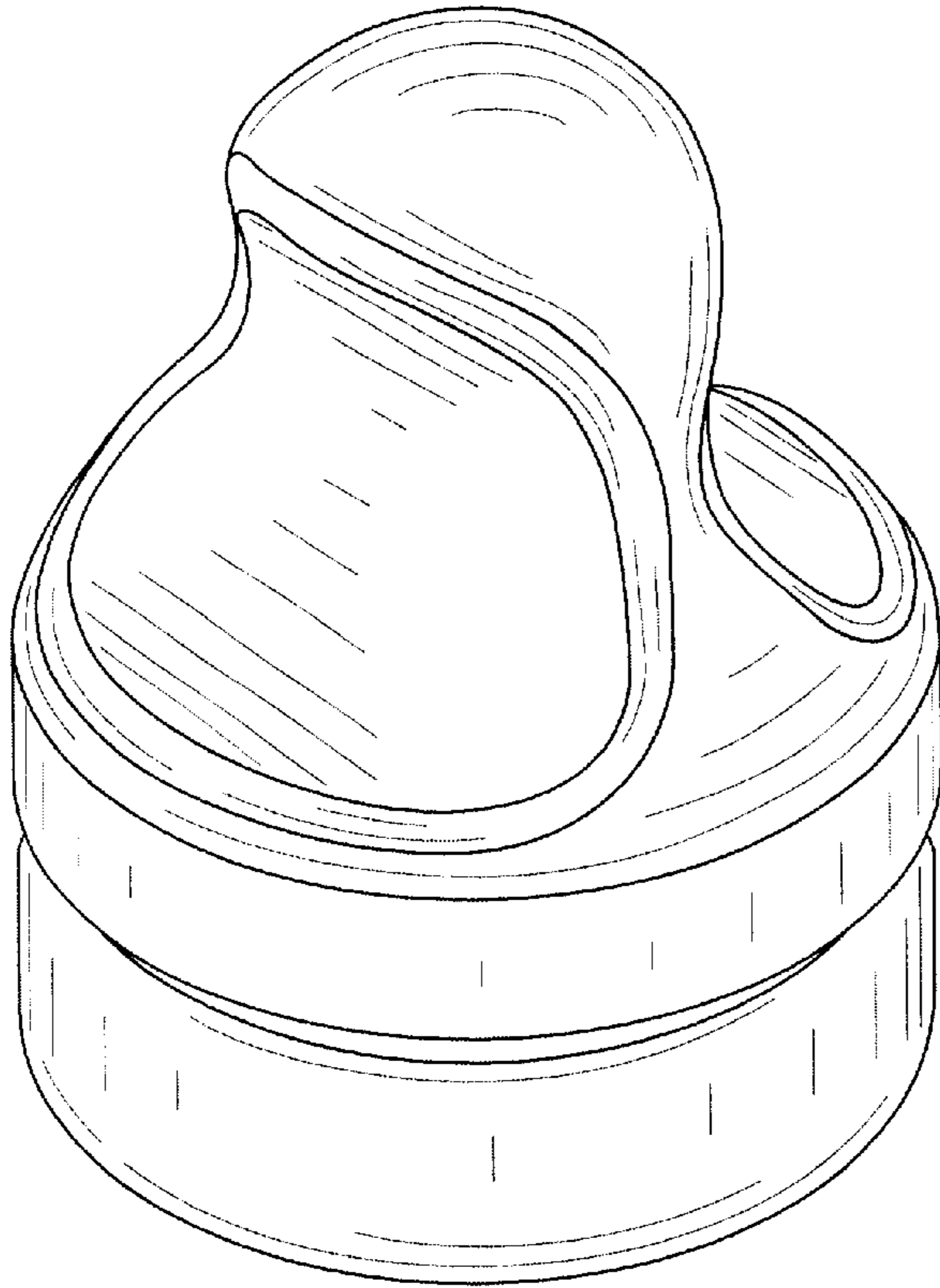


FIGURE 1

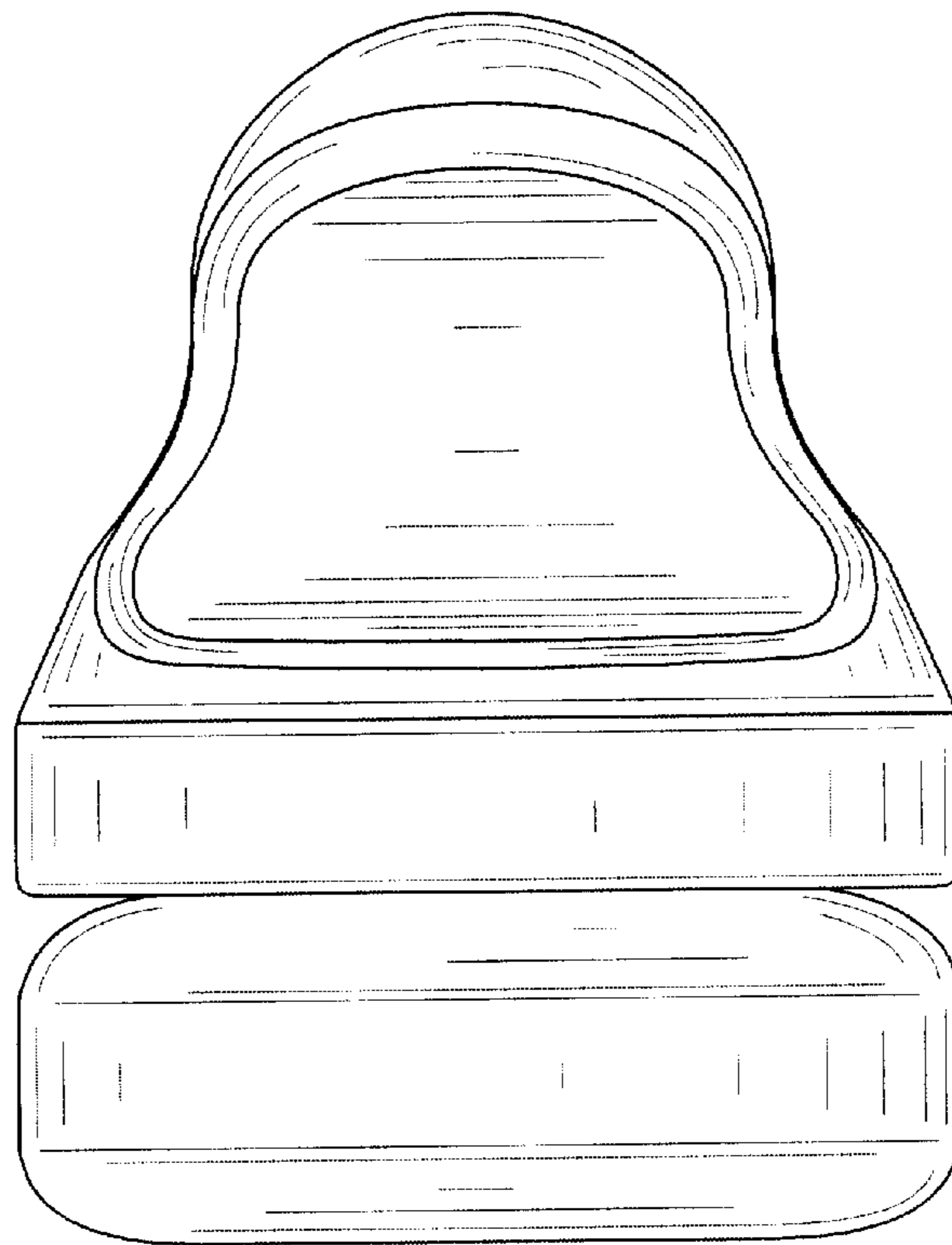


FIGURE 2

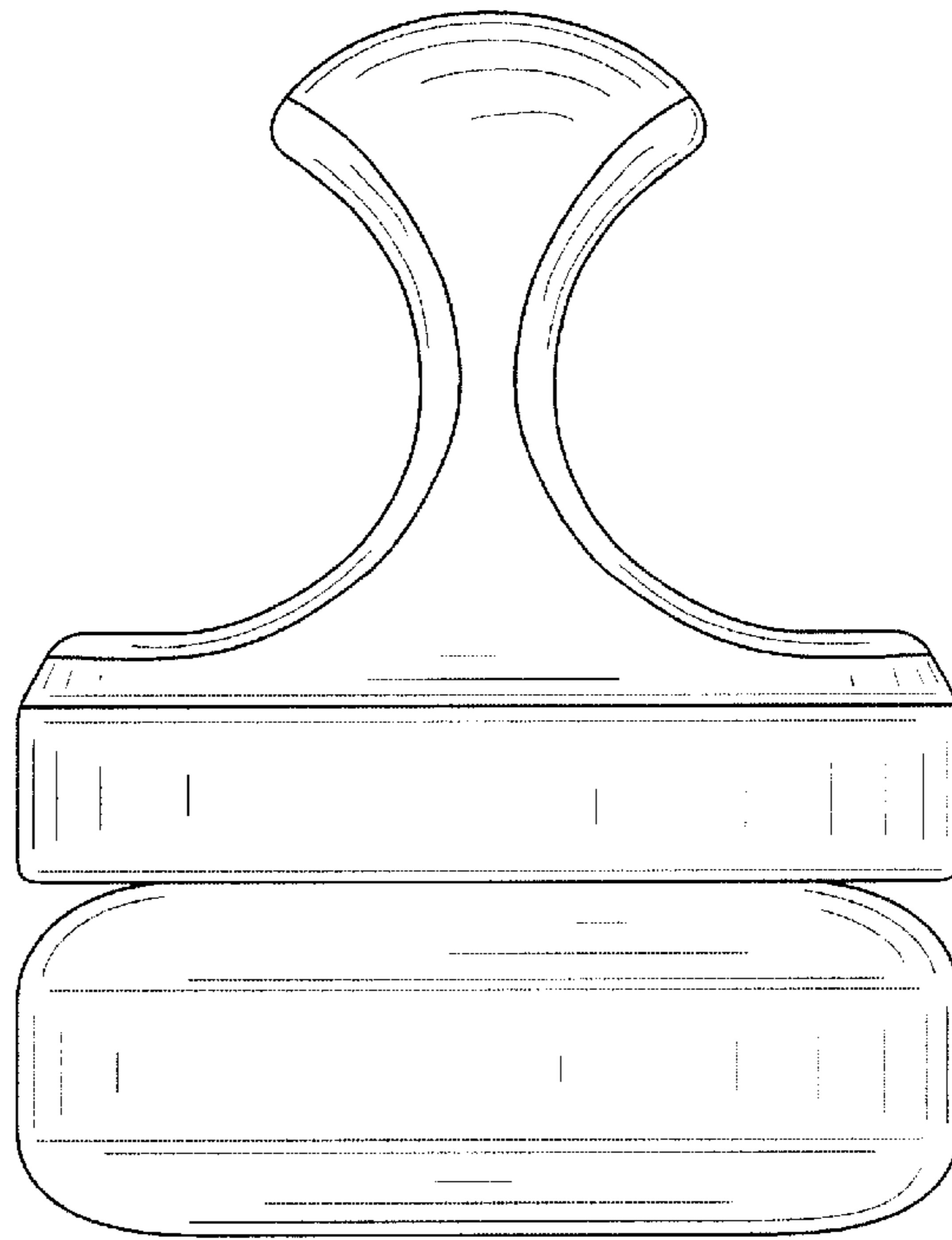


FIGURE 3

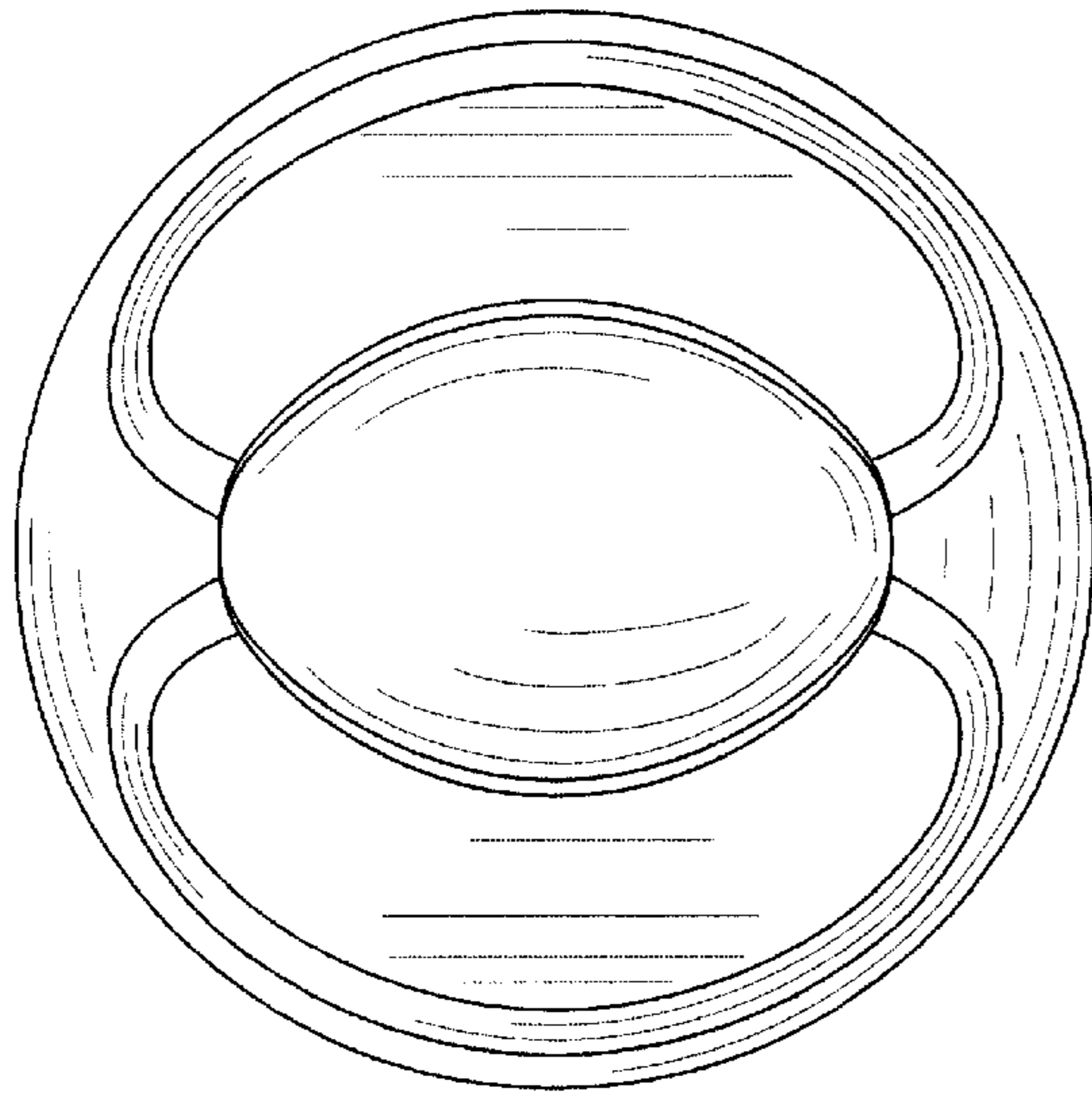


FIGURE 4

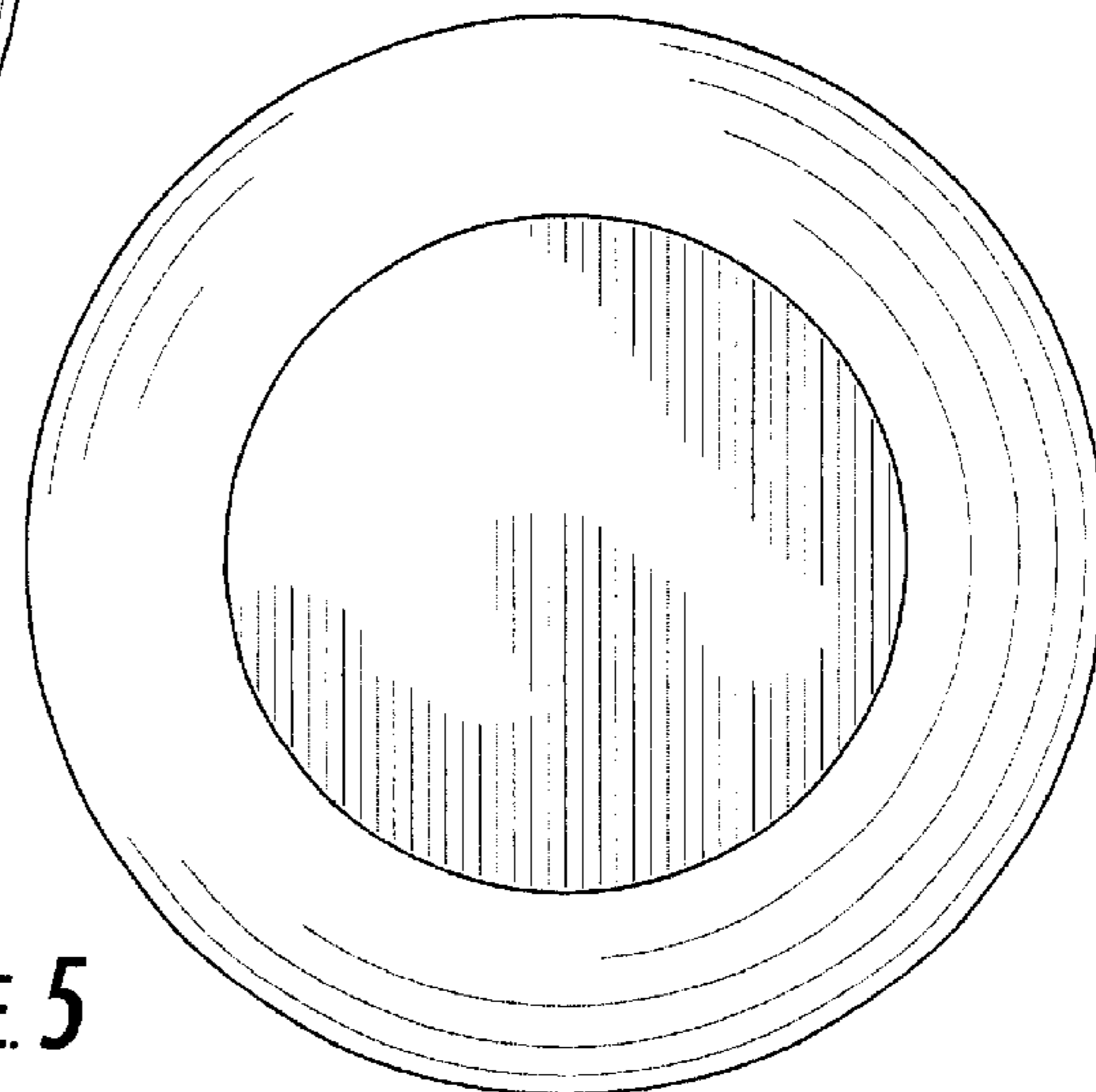


FIGURE 5