

US00D507070S

(12) **United States Design Patent**  
**Sanoner**

(10) **Patent No.:** **US D507,070 S**

(45) **Date of Patent:** **\*\* Jul. 5, 2005**

(54) **OUTDOOR LIGHT**

(75) **Inventor:** **Hughes Marie Sanoner**, Discovery Bay (HK)

(73) **Assignee:** **Solar Wide Industrial Ltd.**, Tsuen Wan (HK)

(\*\*) **Term:** **14 Years**

(21) **Appl. No.:** **29/212,031**

(22) **Filed:** **Aug. 25, 2004**

(51) **LOC (8) Cl.** ..... **26-05**

(52) **U.S. Cl.** ..... **D26/68**

(58) **Field of Search** ..... D26/67-71, 73,  
D26/118; 362/153, 153.1, 249, 353, 360,  
431, 437, 806, 252

(56) **References Cited**

**U.S. PATENT DOCUMENTS**

D497,021 S \* 10/2004 Pu ..... D26/67

**FOREIGN PATENT DOCUMENTS**

WO DM/057383 \* 10/2001

WO DM/063085 \* 2/2003

\* cited by examiner

*Primary Examiner*—Clare E Heflin

(74) *Attorney, Agent, or Firm*—Alix, Yale & Ristas, LLP

(57) **CLAIM**

The ornamental design for an outdoor light, as shown and described.

**DESCRIPTION**

FIG. 1 is a front, right side and top perspective view of an outdoor light showing my new design;

FIG. 2 is a front elevational view thereof;

FIG. 3 is a rear elevational view thereof;

FIG. 4 is a right side elevational view thereof;

FIG. 5 is a left side elevational view thereof;

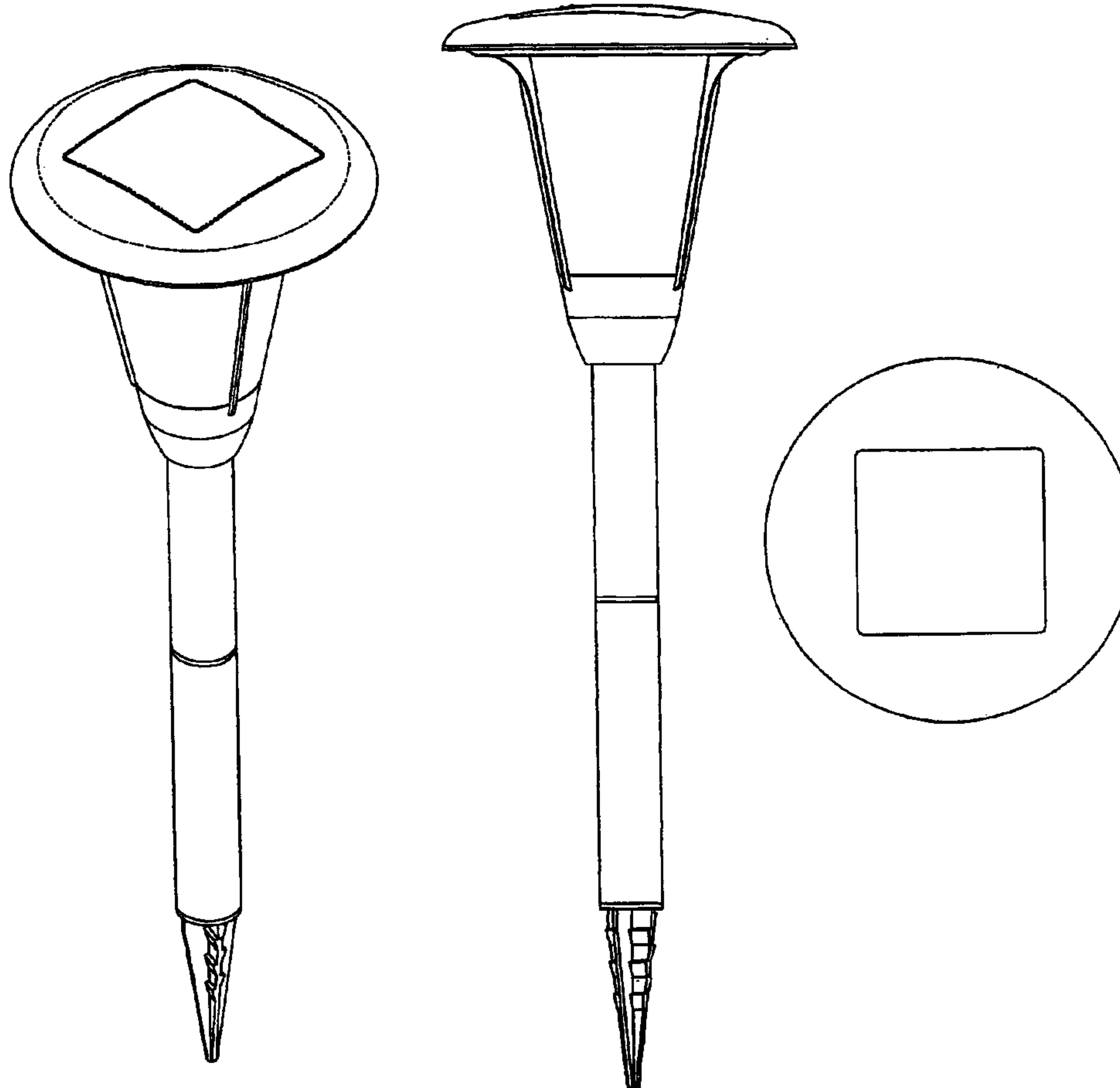
FIG. 6 is a top plan view thereof;

FIG. 7 is a bottom plan view thereof;

FIG. 8 is a front, right side and top perspective view of the outdoor light showing my new design with the mounting stake portion removed for illustrative purposes only; and,

FIG. 9 is a front, right side and top perspective view of the diffuser portion of the outdoor light, the remaining sections being omitted for illustrative purposes only.

**1 Claim, 5 Drawing Sheets**



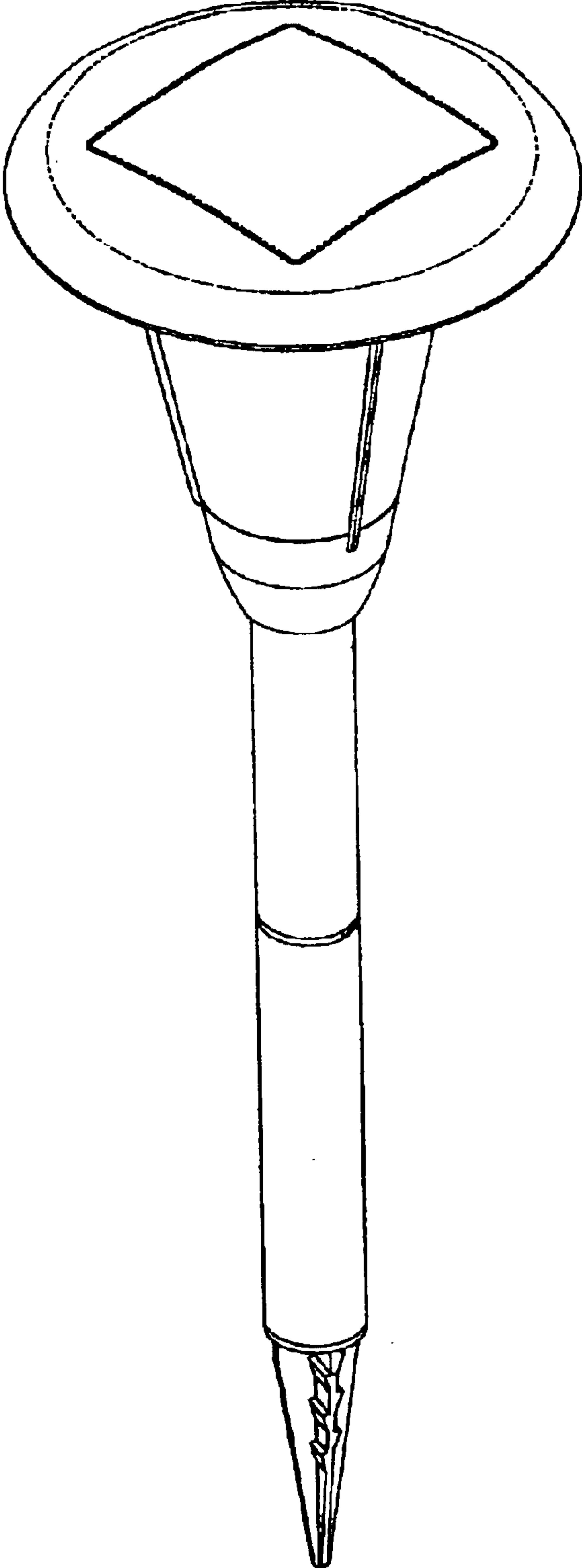


FIG 1

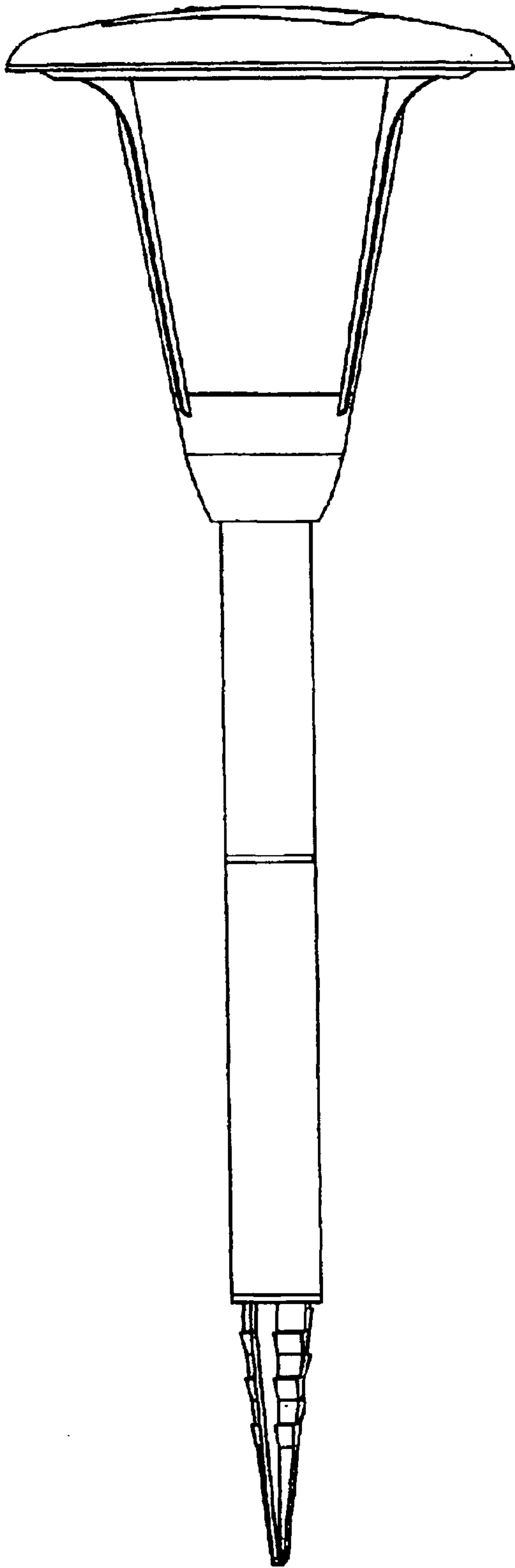


FIG. 2

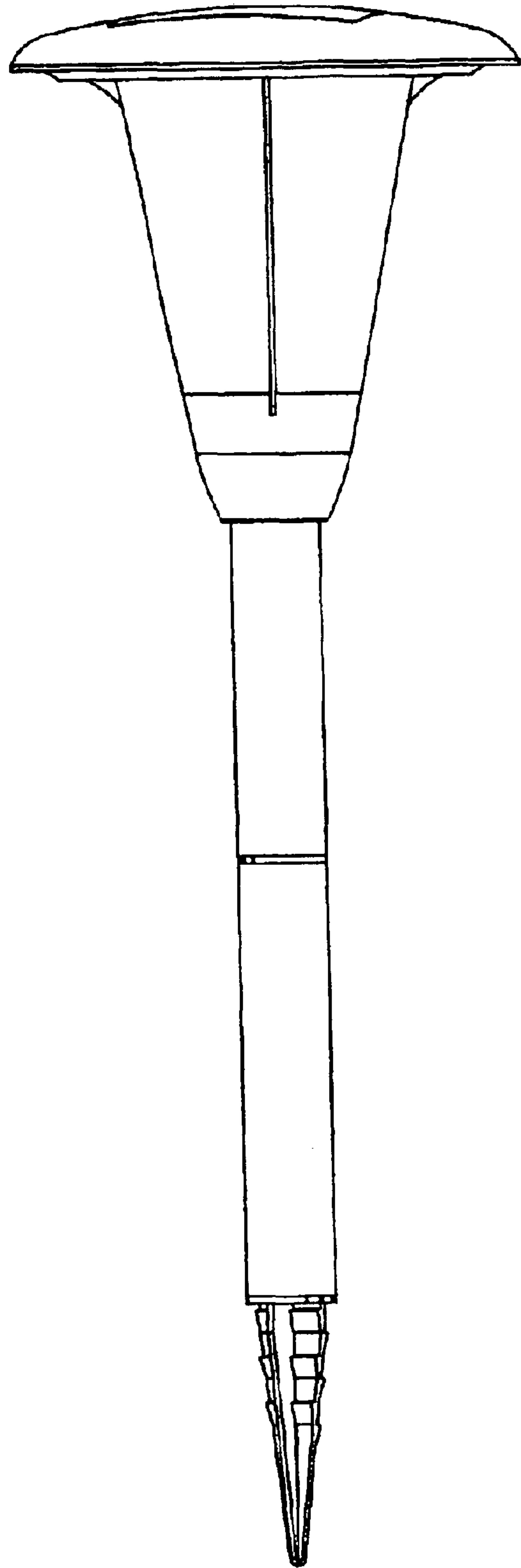


FIG. 3

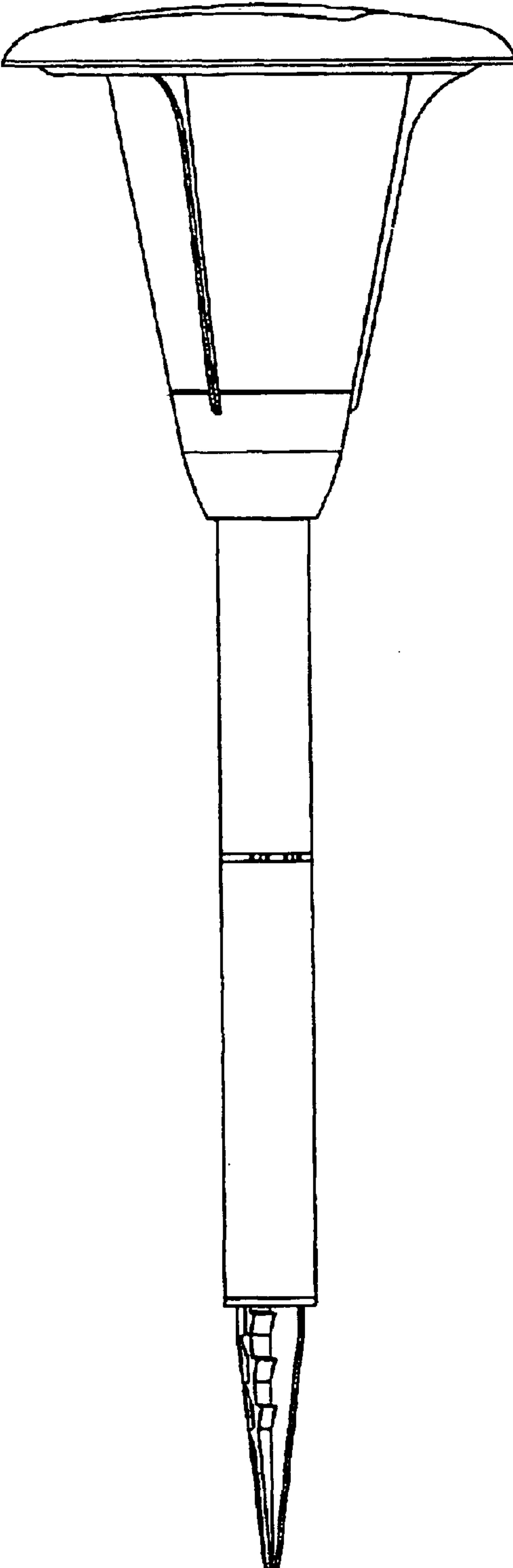


FIG. 4

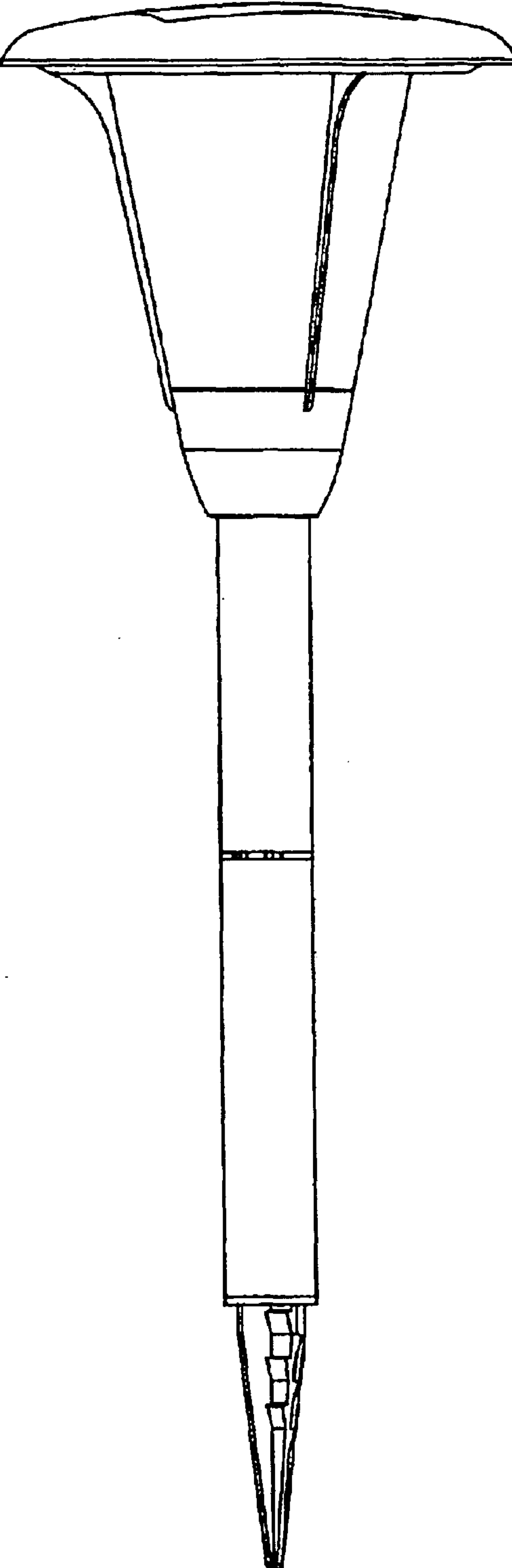
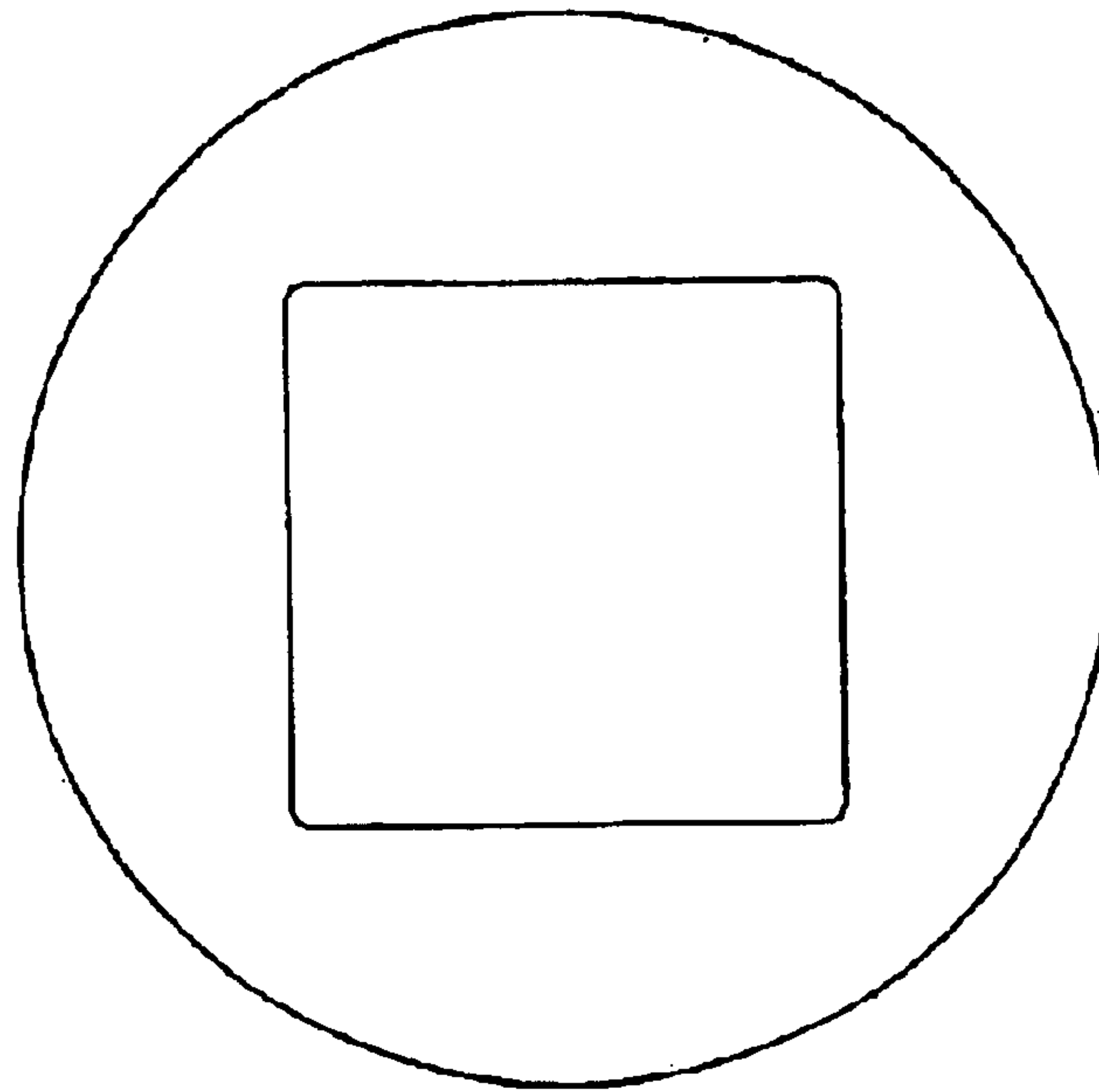
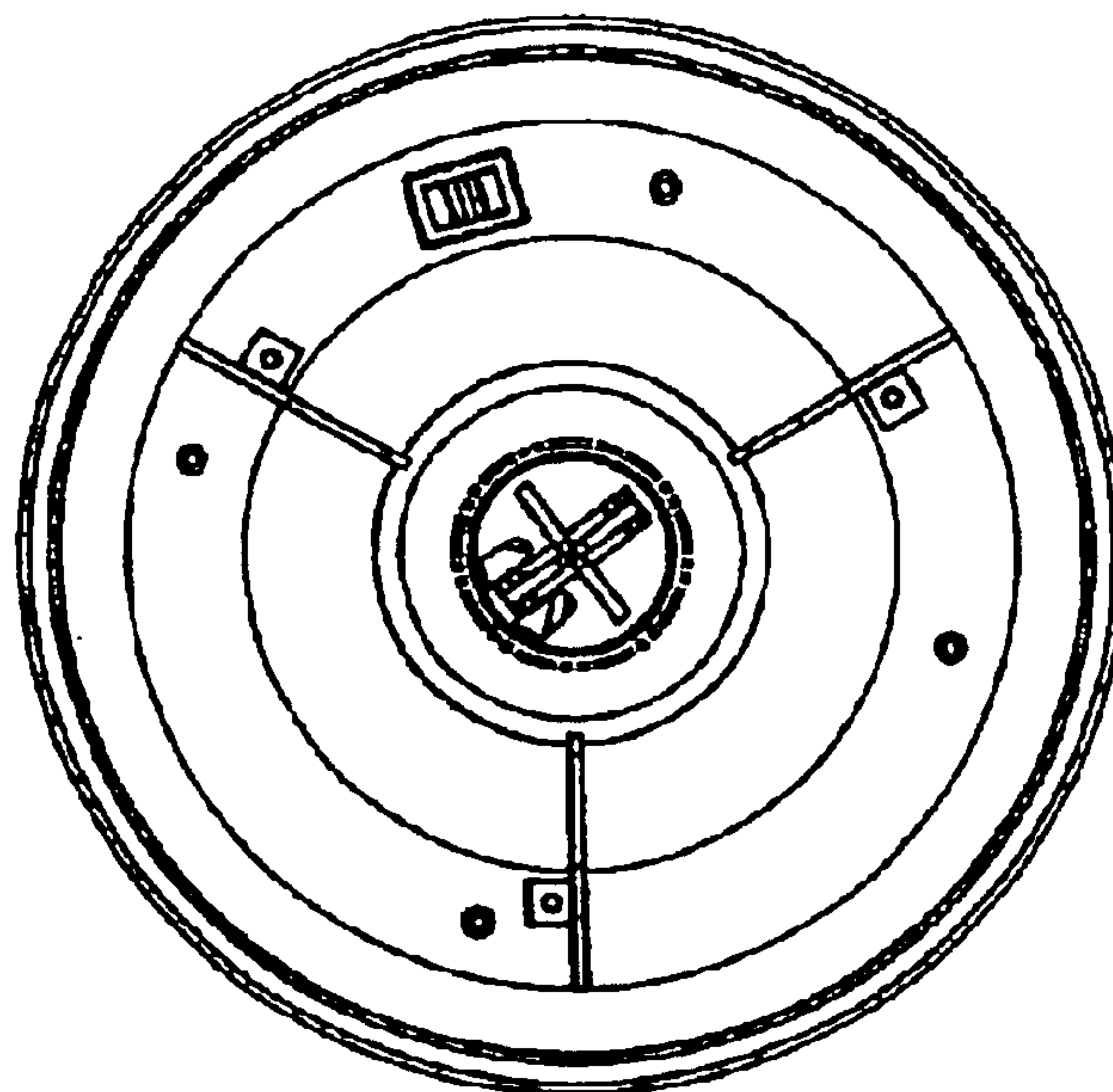


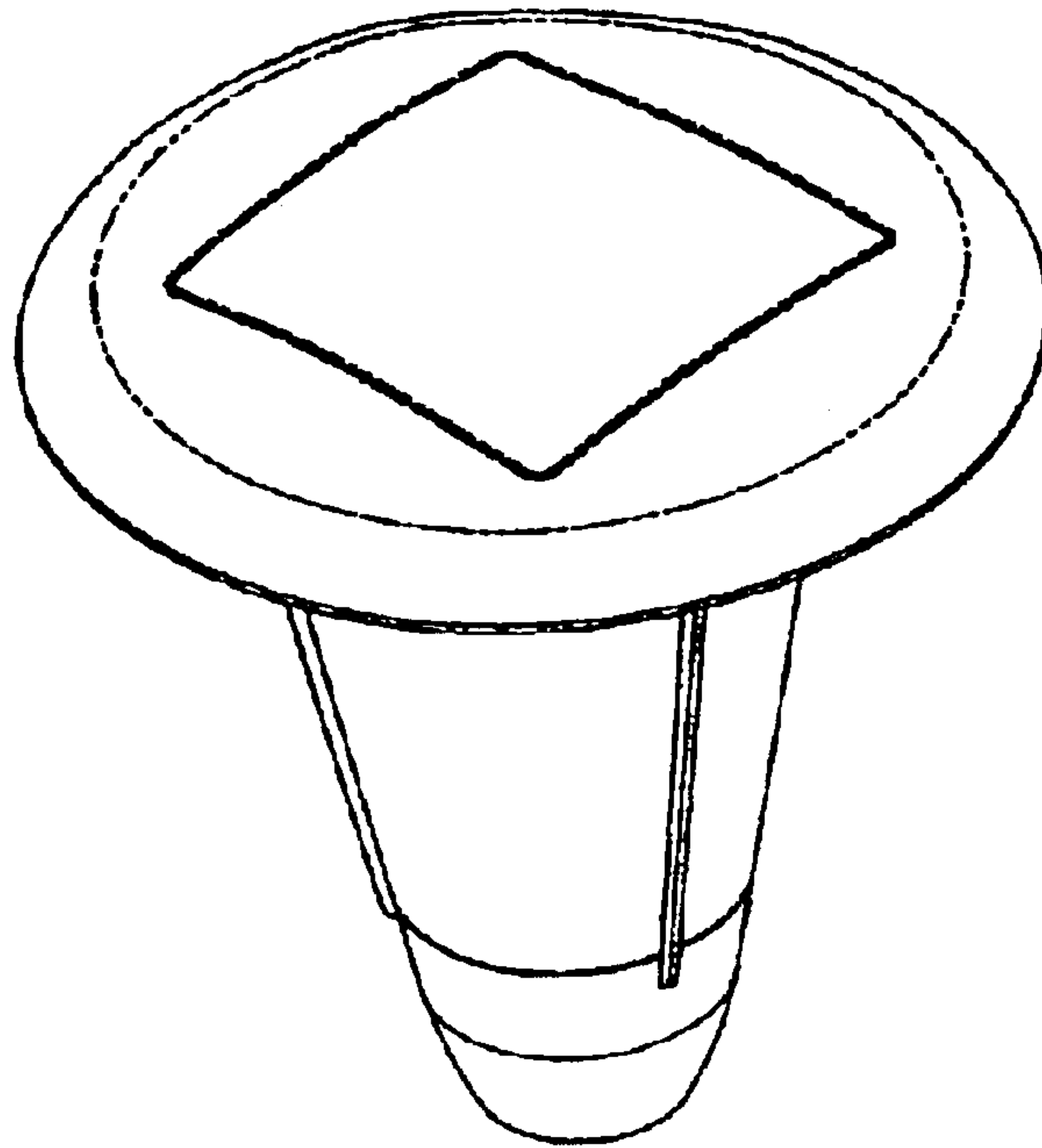
FIG. 5



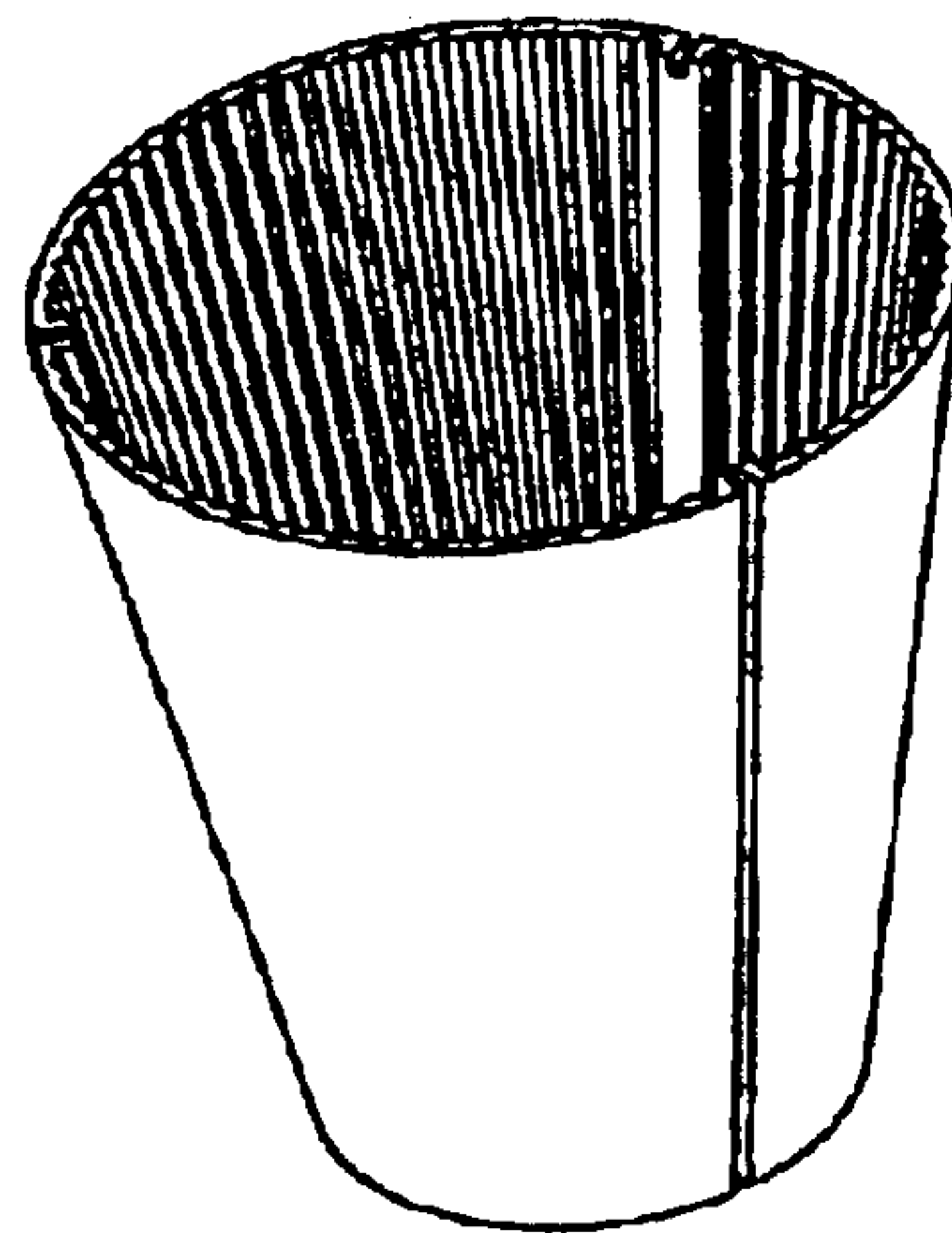
**FIG. 6**



**FIG. 7**



**FIG. 8**



**FIG. 9**