

US00D507068S

(12) **United States Design Patent** (10) **Patent No.:** **US D507,068 S**
Chen (45) **Date of Patent:** **** Jul. 5, 2005**

(54) **SOLAR LIGHT**

6,719,442 B1 4/2004 Chen
D495,084 S * 8/2004 Hon et al. D26/67
D497,684 S * 10/2004 Hon et al. D26/67

(75) Inventor: **Chi Gon Chen**, Guang Zhou (CN)

(73) Assignee: **International Development Corporation**, Southlake, TX (US)

(**) Term: **14 Years**

(21) Appl. No.: **29/200,655**

(22) Filed: **Mar. 2, 2004**

(51) **LOC (8) Cl.** **26-05**

(52) **U.S. Cl.** **D26/67; D26/68**

(58) **Field of Search** D26/67-71, 73,
D26/118; 362/153, 153.1, 249, 353, 360,
431, 437, 806, 252

FOREIGN PATENT DOCUMENTS

CA	99516	6/2003
CA	99517	6/2003
CA	99518	6/2003
CA	99519	6/2003
CA	100603	2/2004

* cited by examiner

Primary Examiner—Clare E Heflin

(74) *Attorney, Agent, or Firm*—Gardere Wynne Sewell LLP

(57) **CLAIM**

The ornamental design for a solar light, as shown and described.

(56) **References Cited**

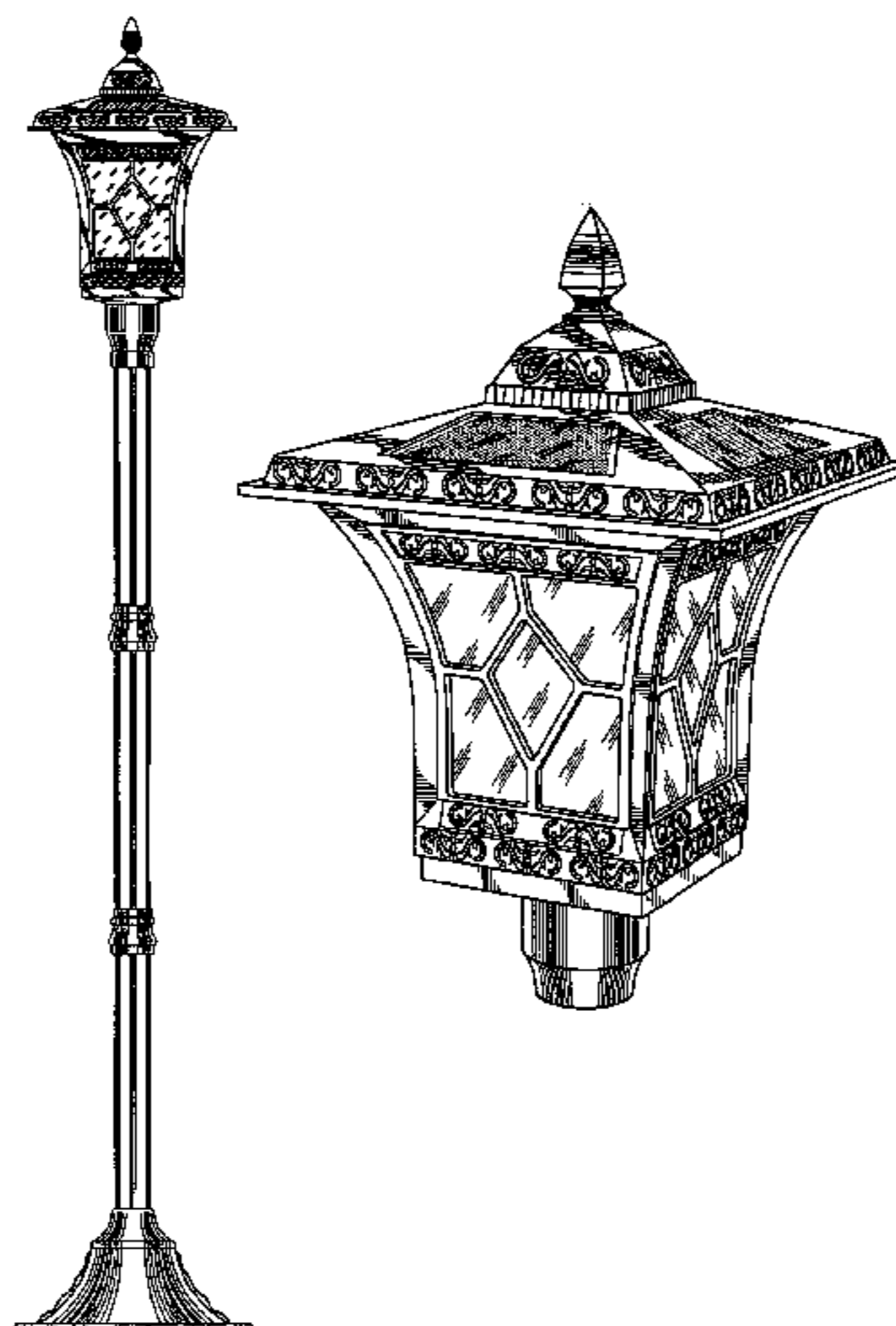
U.S. PATENT DOCUMENTS

D284,311 S	*	6/1986	Patel	D26/67
D445,209 S		7/2001	Chen		
D445,210 S		7/2001	Chen		
D445,524 S		7/2001	Chen		
D445,525 S		7/2001	Pan		
D445,939 S		7/2001	Pan		
D451,620 S		12/2001	Chen		
D452,029 S		12/2001	Chen		
D457,979 S		5/2002	Chen		
D463,606 S	*	9/2002	Orozco	D26/87
D466,243 S		11/2002	Chen		
D468,470 S		1/2003	Chen		
D468,471 S		1/2003	Chen		
D469,907 S		2/2003	Chen		
D469,908 S		2/2003	Chen		
D469,909 S		2/2003	Chen		
D482,478 S	*	11/2003	Cheong et al.	D26/67
D483,138 S		12/2003	Chen		
D483,895 S	*	12/2003	Kuelbs et al.	D26/67
D484,630 S		12/2003	Chen		
D484,631 S		12/2003	Chen		
D485,000 S		1/2004	Chen		
D485,001 S		1/2004	Chen		
D485,930 S		1/2004	Chen		
D488,576 S		4/2004	Chen		

DESCRIPTION

FIG. 1 is a front view of a solar light in accordance with my invention;
FIG. 2 is an enlarged fragmentary front view of the solar light with the central pole being shown broken away for illustrative purposes only;
FIG. 3 is a top plan view of the solar light;
FIG. 4 is a bottom view of the lamp portion of the solar light with the central pole and base being omitted for illustrative purposes only;
FIG. 5 is a top plan view of the base portion of the solar light with the central pole and the lamp housing being omitted for illustrative purposes only;
FIG. 6 is a side elevation of the base portion of the solar light with the central pole and the lamp housing being omitted for illustrative purposes only;
FIG. 7 is a fragmentary perspective view of the lamp portion of the solar light with the central pole and base being omitted for illustrative purposes only; and,
FIG. 8 is a fragmentary perspective view of the base portion of the solar light with the central pole and lamp portion being omitted for illustrative purposes only.
The broken lines shown on the drawings are for illustrative purposes only and form no part of the claimed design.

1 Claim, 4 Drawing Sheets



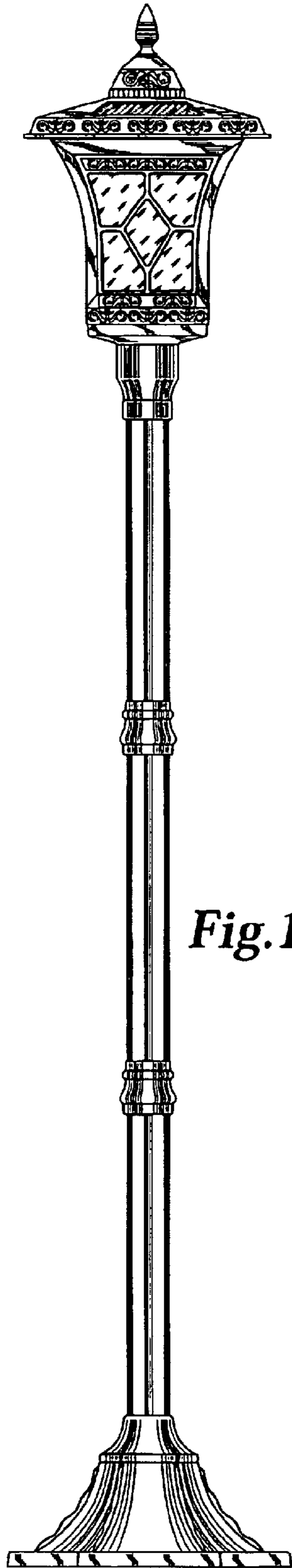


Fig. 1

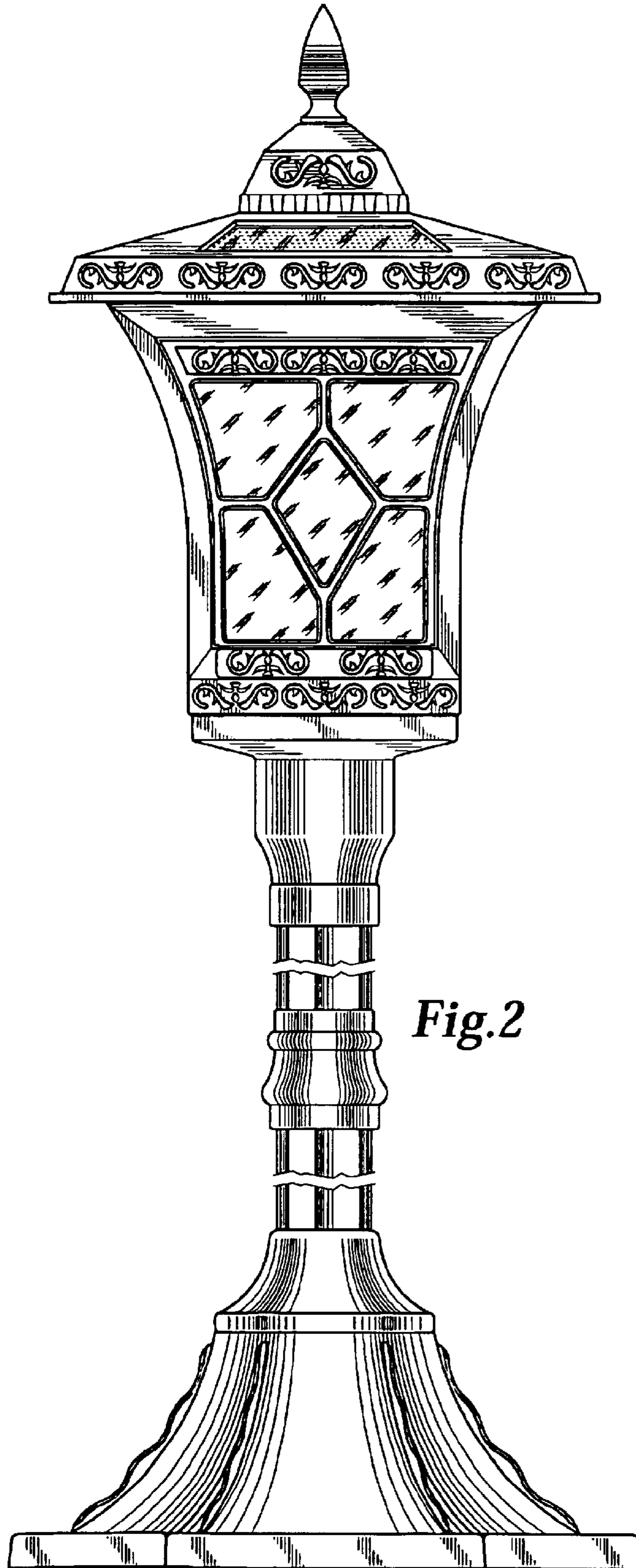


Fig. 2

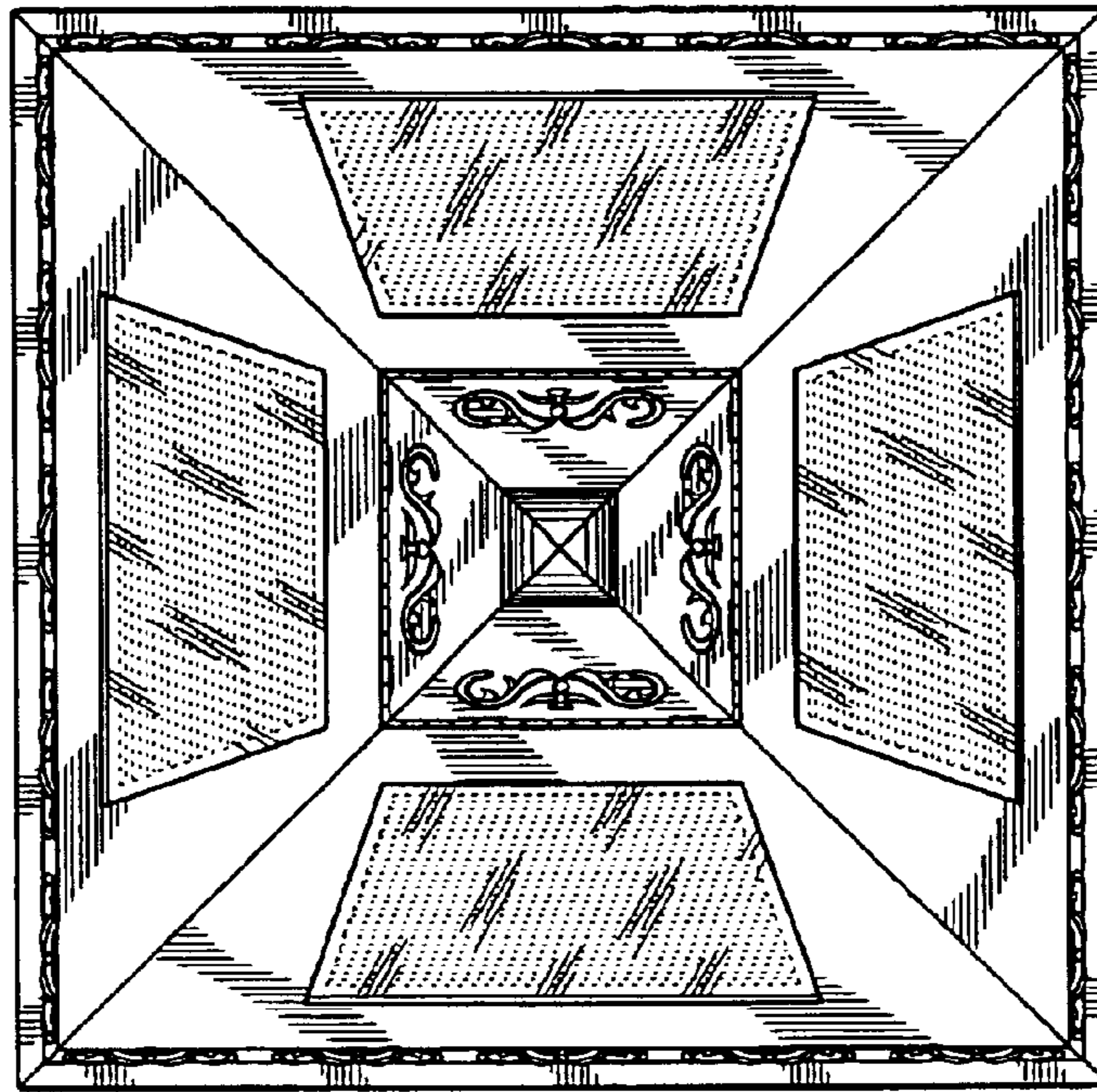


Fig. 3

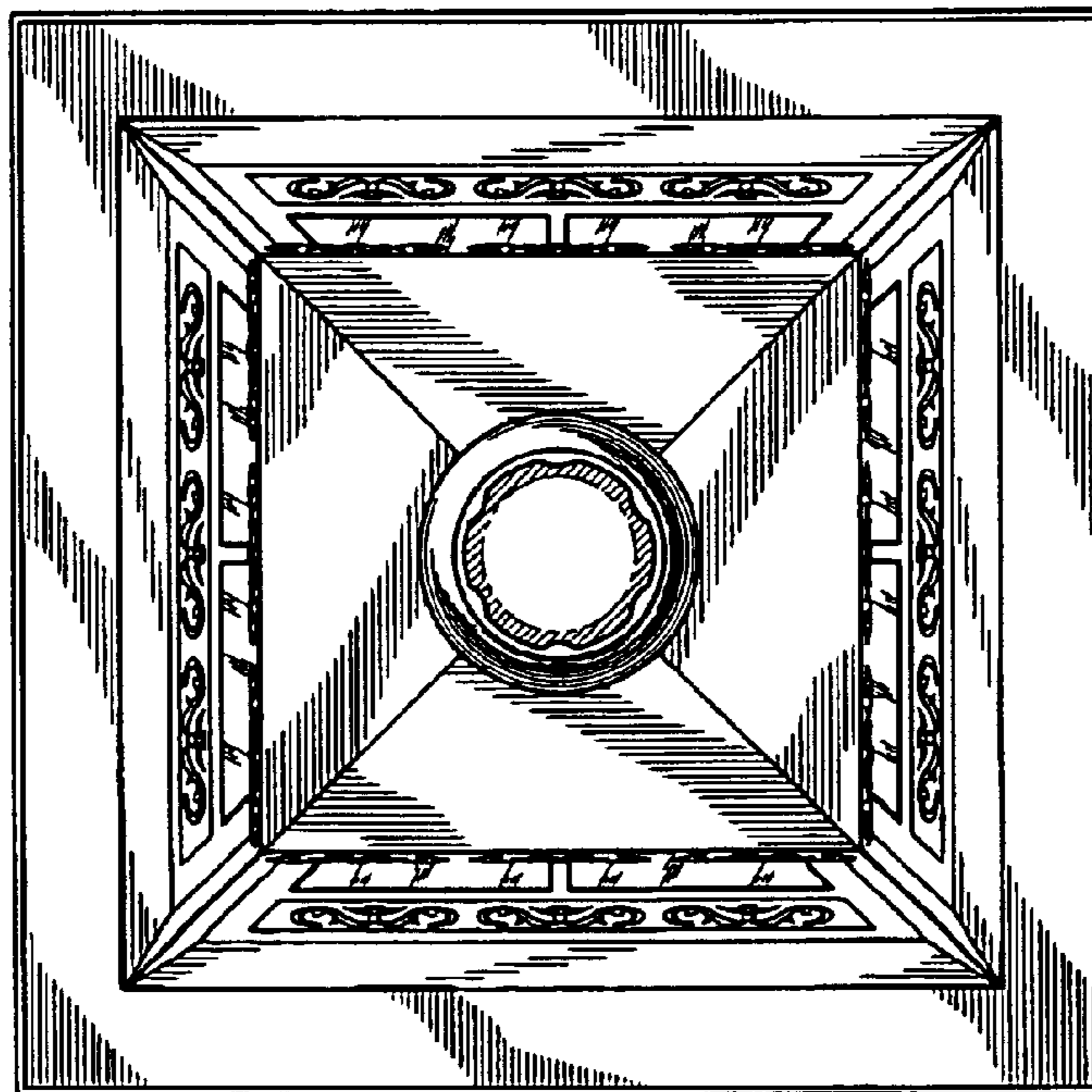


Fig. 4

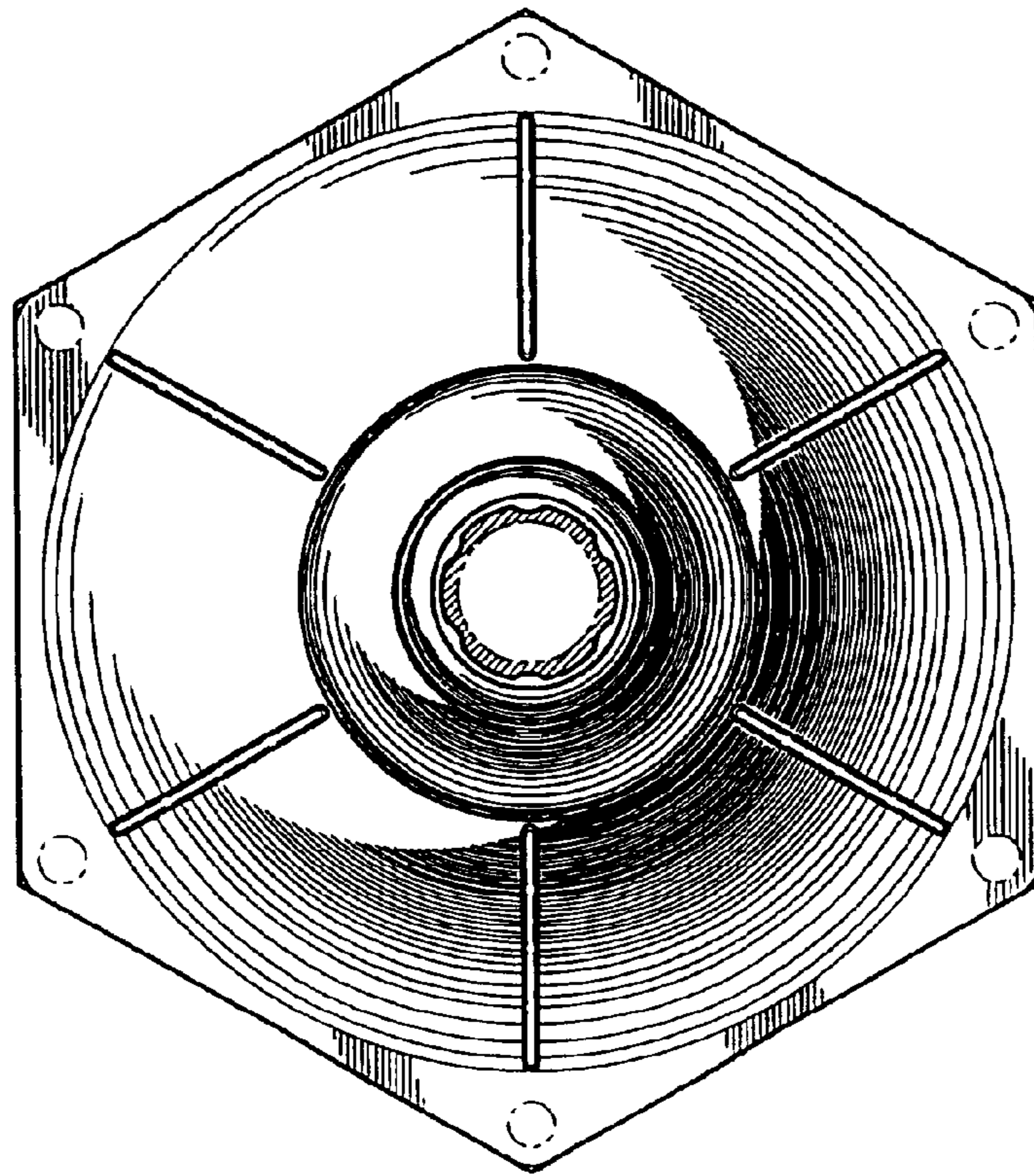


Fig.5

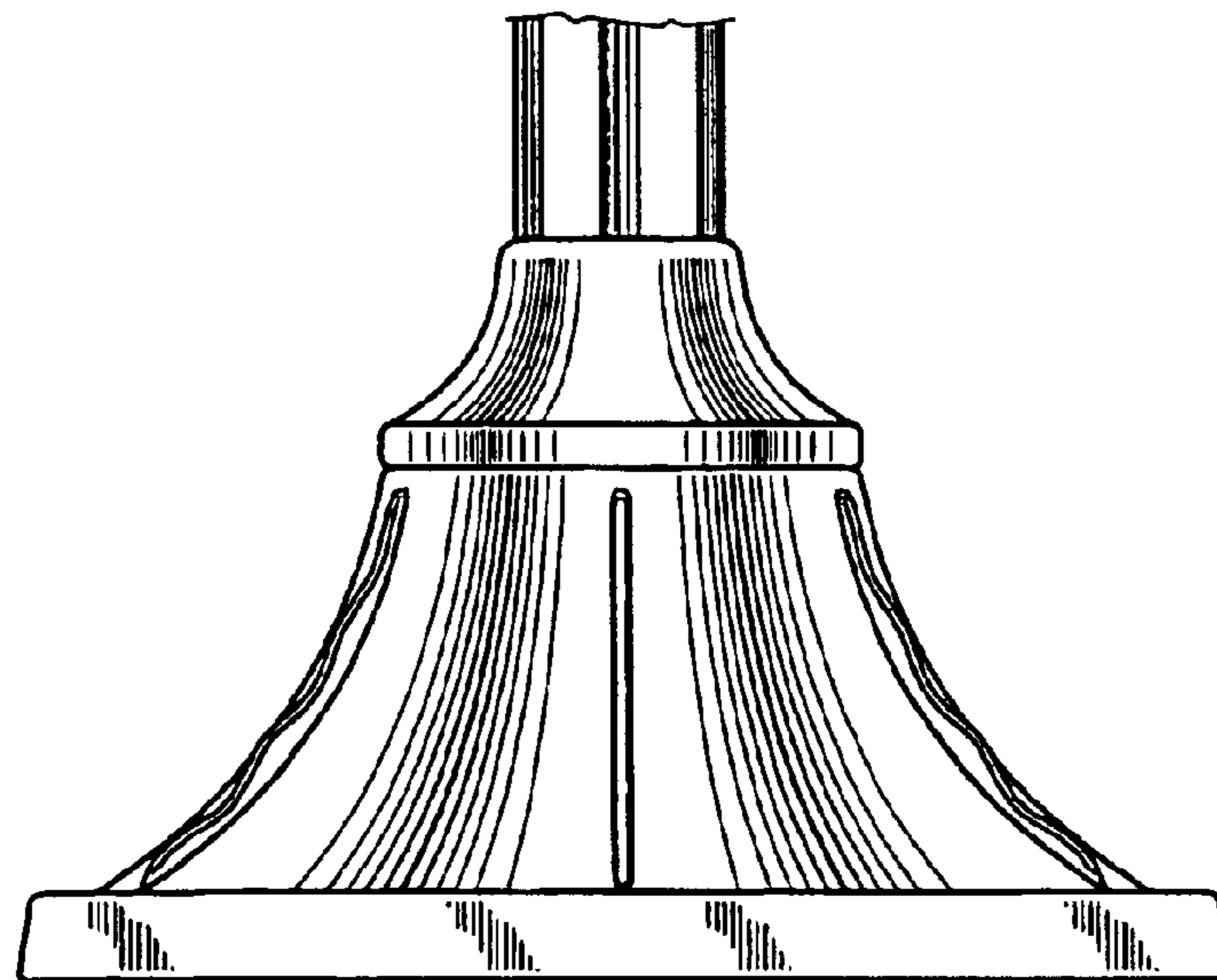


Fig.6

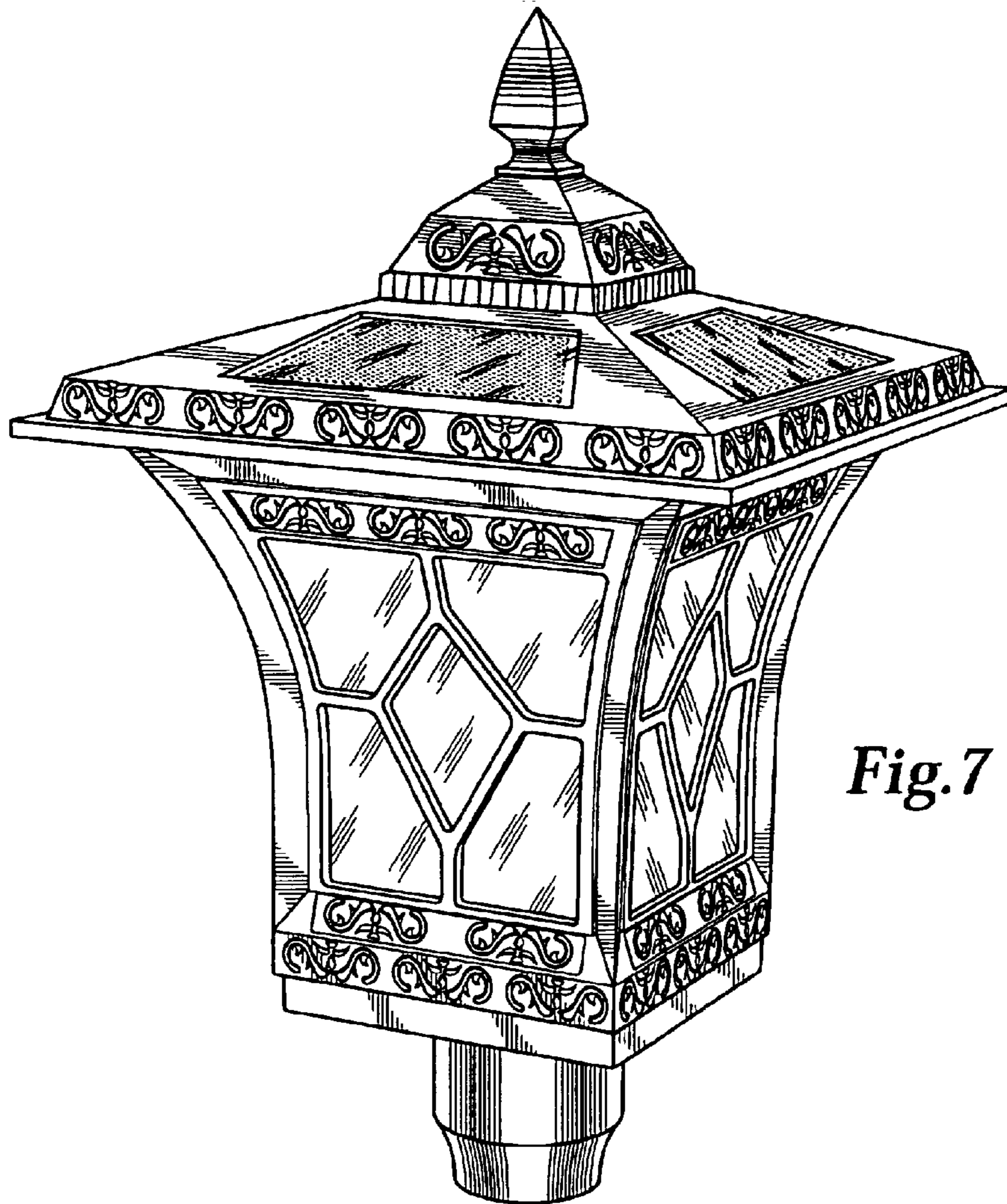


Fig. 7

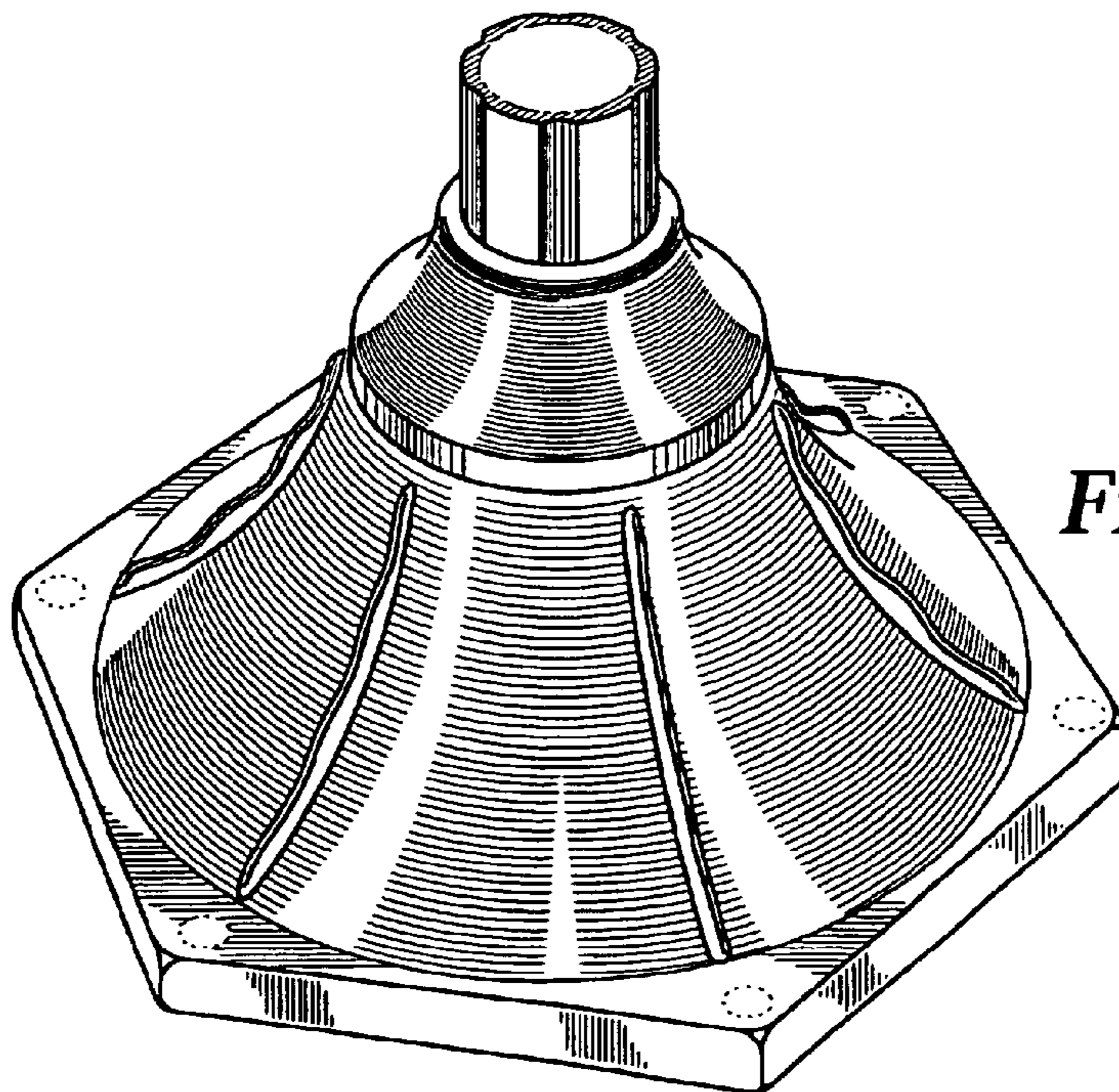


Fig. 8