

US00D507066S

(12) **United States Design Patent**
Smith

(10) **Patent No.:** **US D507,066 S**

(45) **Date of Patent:** **** Jul. 5, 2005**

(54) **BATTERY POWERED RECHARGEABLE
SEALED BEAM SPOTLIGHT**

D491,303 S * 6/2004 Shen D26/45

* cited by examiner

(75) Inventor: **Kenneth Smith**, Porum, OK (US)

Primary Examiner—Marcus A. Jackson

(73) Assignee: **Optronics, Inc.**, Muskogee, OK (US)

(74) *Attorney, Agent, or Firm*—Head, Johnson & Kachigian

(**) Term: **14 Years**

(57) **CLAIM**

The ornamental design for a battery powered rechargeable sealed beam spotlight, as shown and described.

(21) Appl. No.: **29/214,825**

(22) Filed: **Oct. 8, 2004**

DESCRIPTION

(51) **LOC (8) Cl.** **26-02**

FIG. 1 is a right side view of a battery powered rechargeable sealed beam spotlight constructed in accordance with the present invention;

(52) **U.S. Cl.** **D26/45**

FIG. 2 is a front view of a battery powered rechargeable sealed beam spotlight as shown in FIG. 1;

(58) **Field of Search** D26/37-50; 362/157,
362/158, 171-174, 183-208

FIG. 3 is a left side view of a battery powered rechargeable sealed beam spotlight as shown in FIG. 1;

(56) **References Cited**

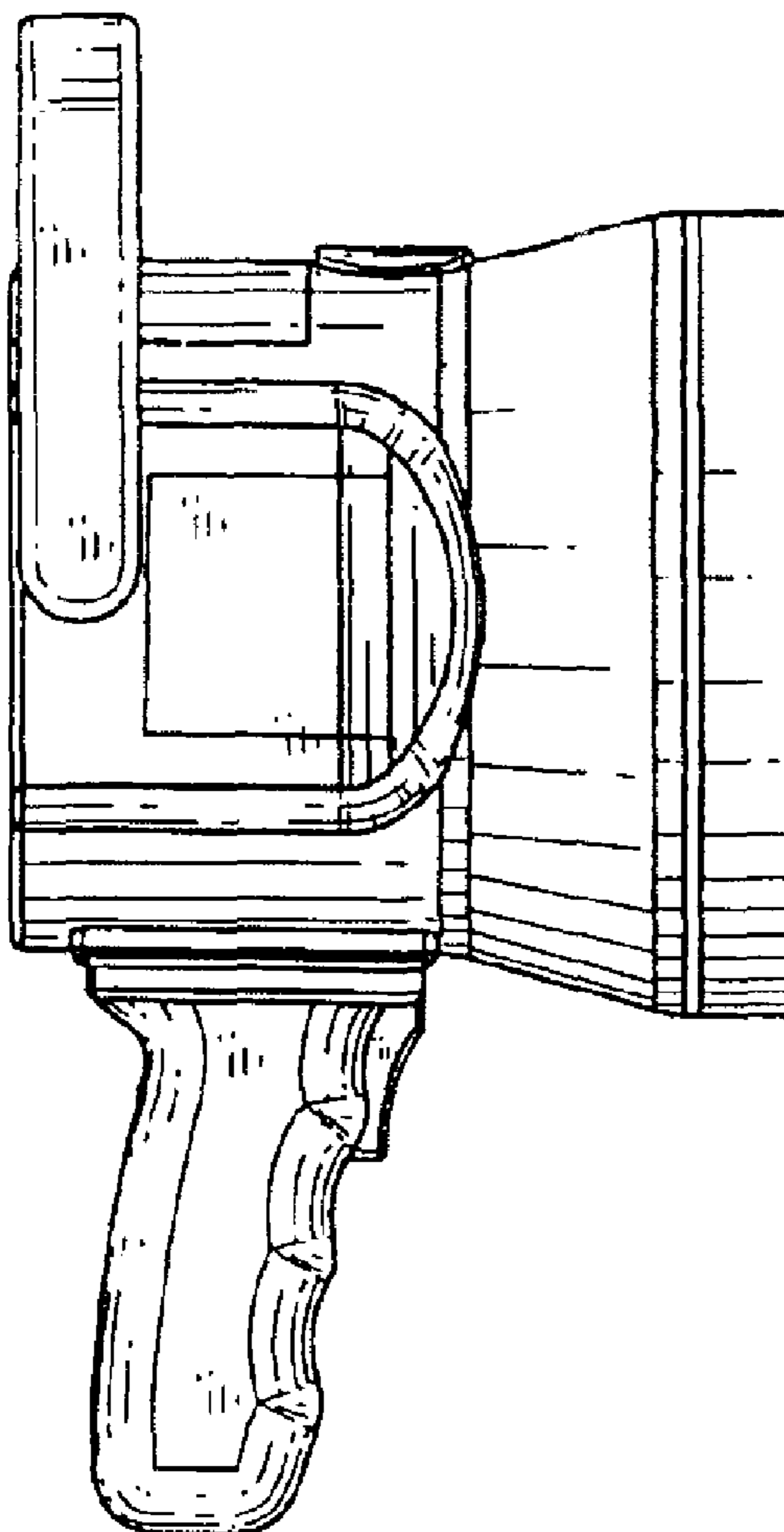
U.S. PATENT DOCUMENTS

D278,084 S	*	3/1985	Parker et al.	D26/45
D282,873 S	*	3/1986	May et al.	D26/45
D342,582 S	*	12/1993	Young	D26/45
D462,471 S	*	9/2002	Bieri	D26/45
D467,673 S	*	12/2002	Yuen	D26/45

FIG. 4 is a top view of a battery powered rechargeable sealed beam spotlight as shown in FIG. 1; and,

FIG. 5 is a rear view of a battery powered rechargeable sealed beam spotlight as shown in FIG. 1.

1 Claim, 2 Drawing Sheets



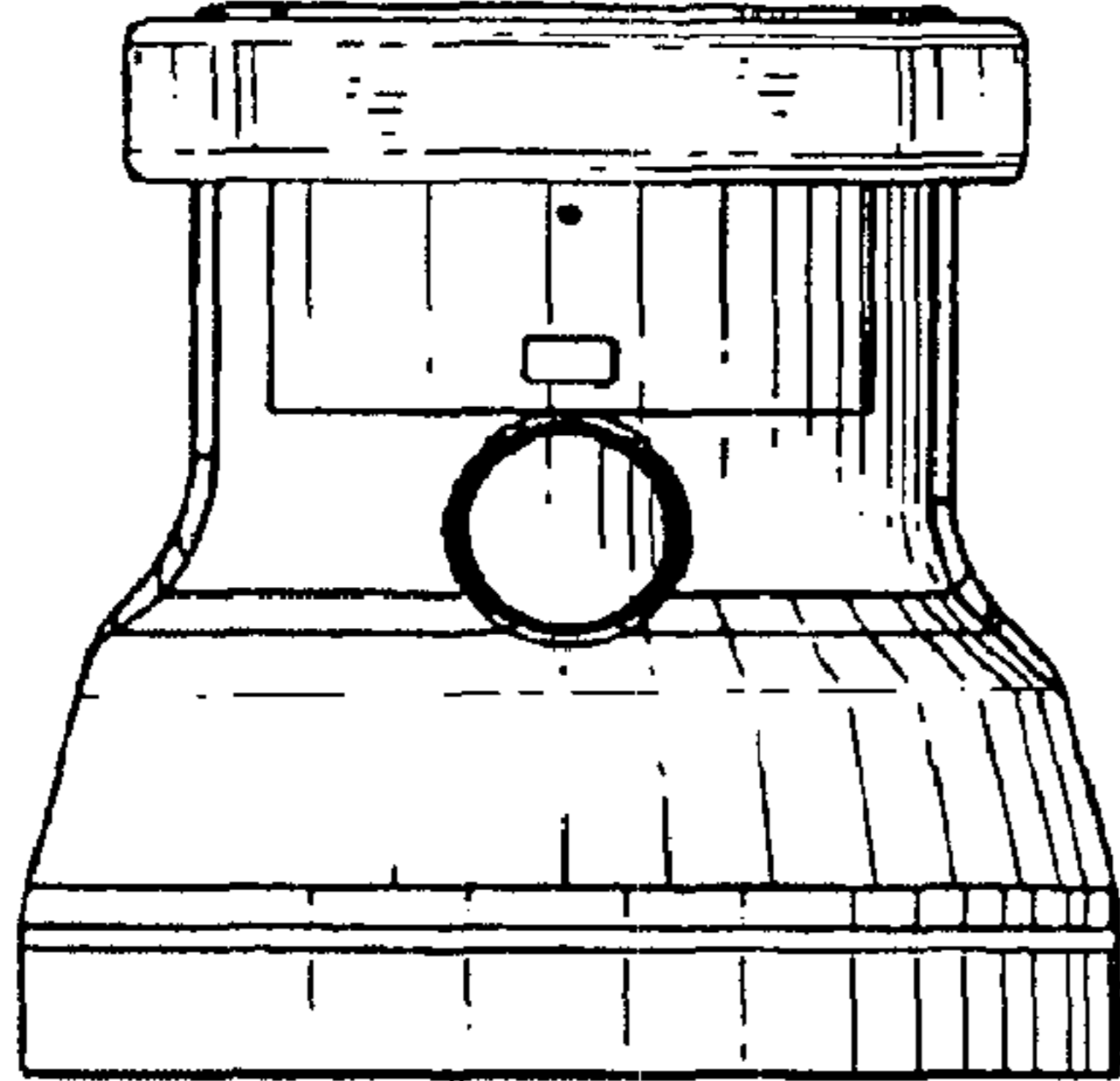


FIG. 4

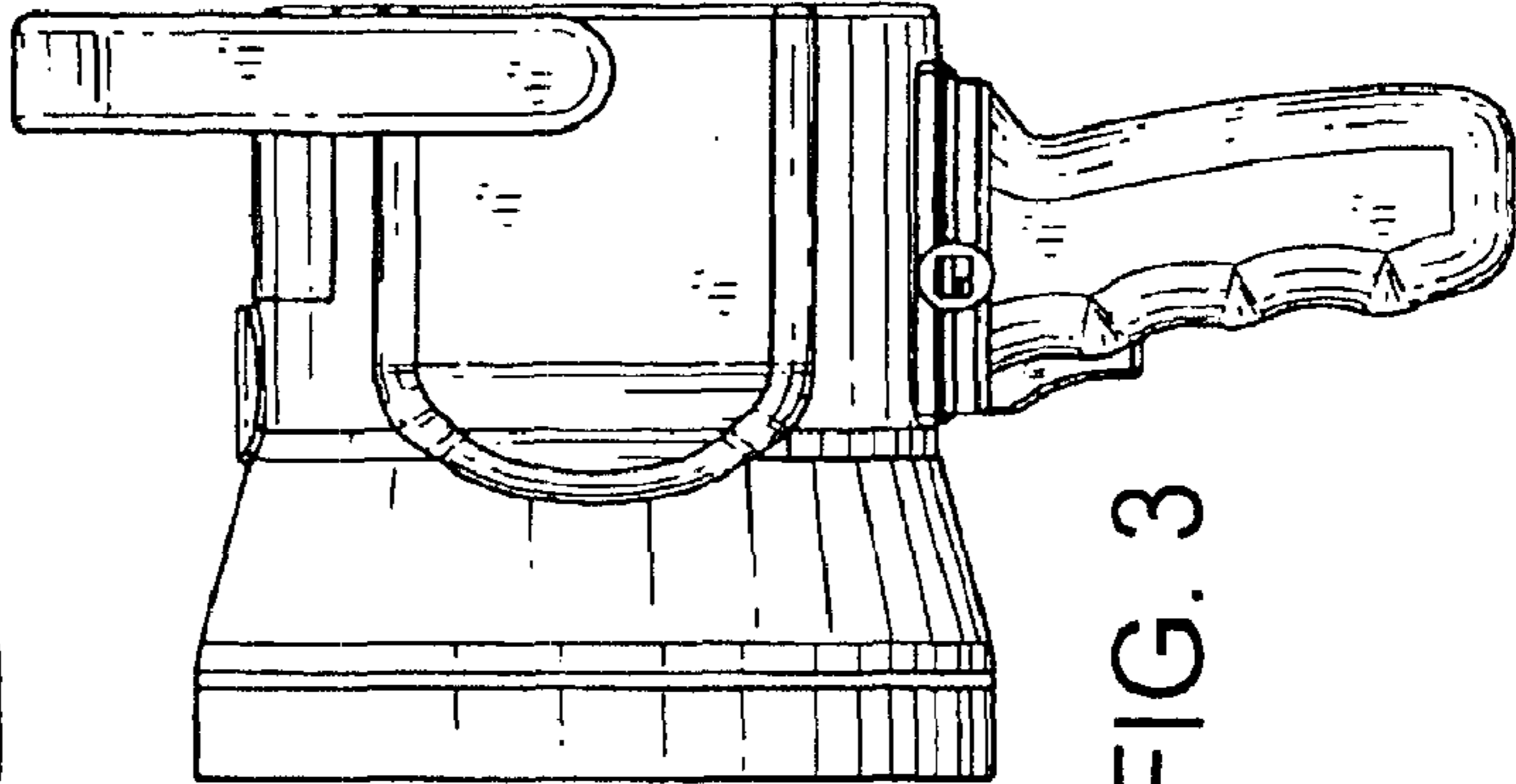


FIG. 3

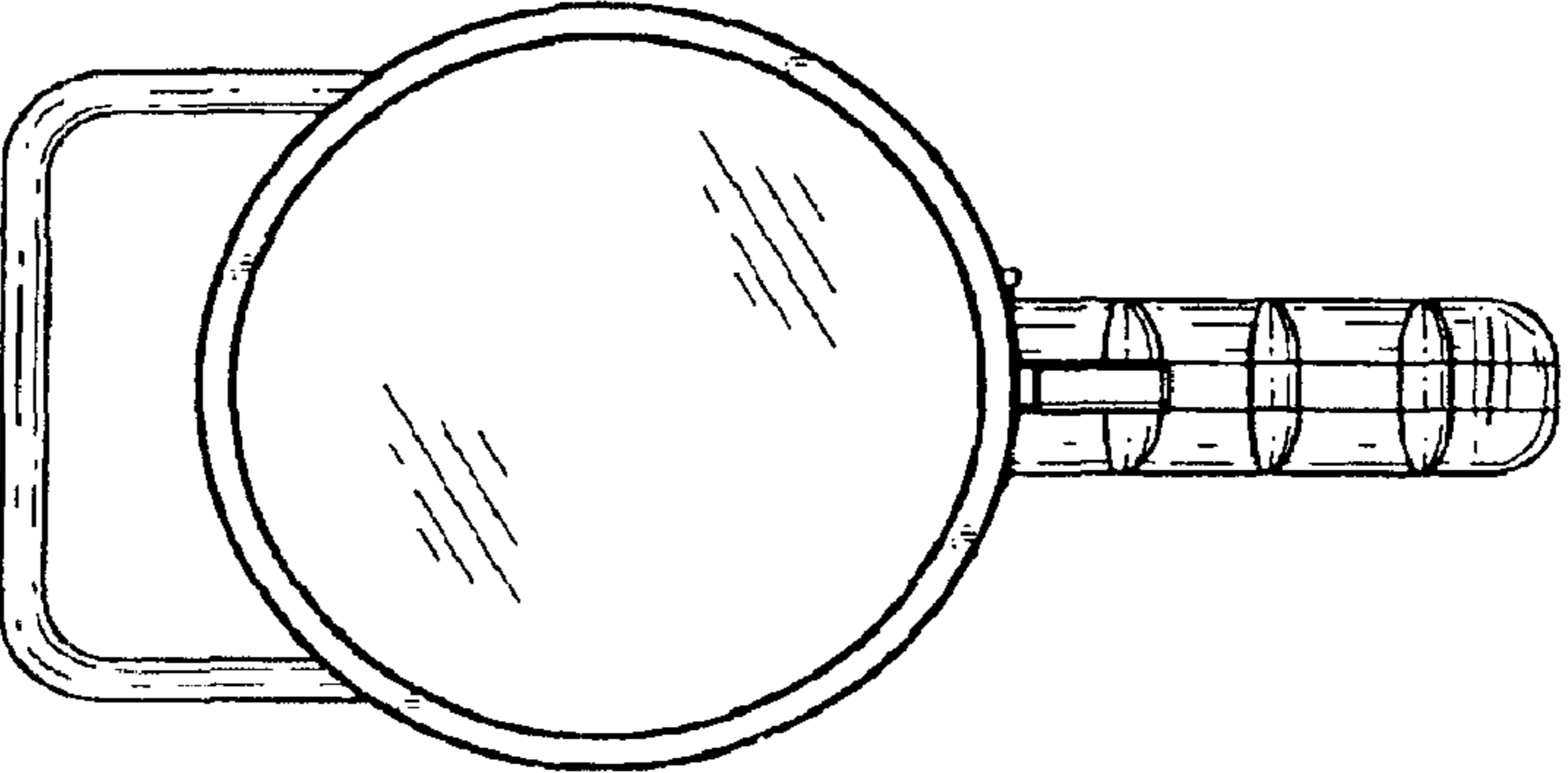


FIG. 2

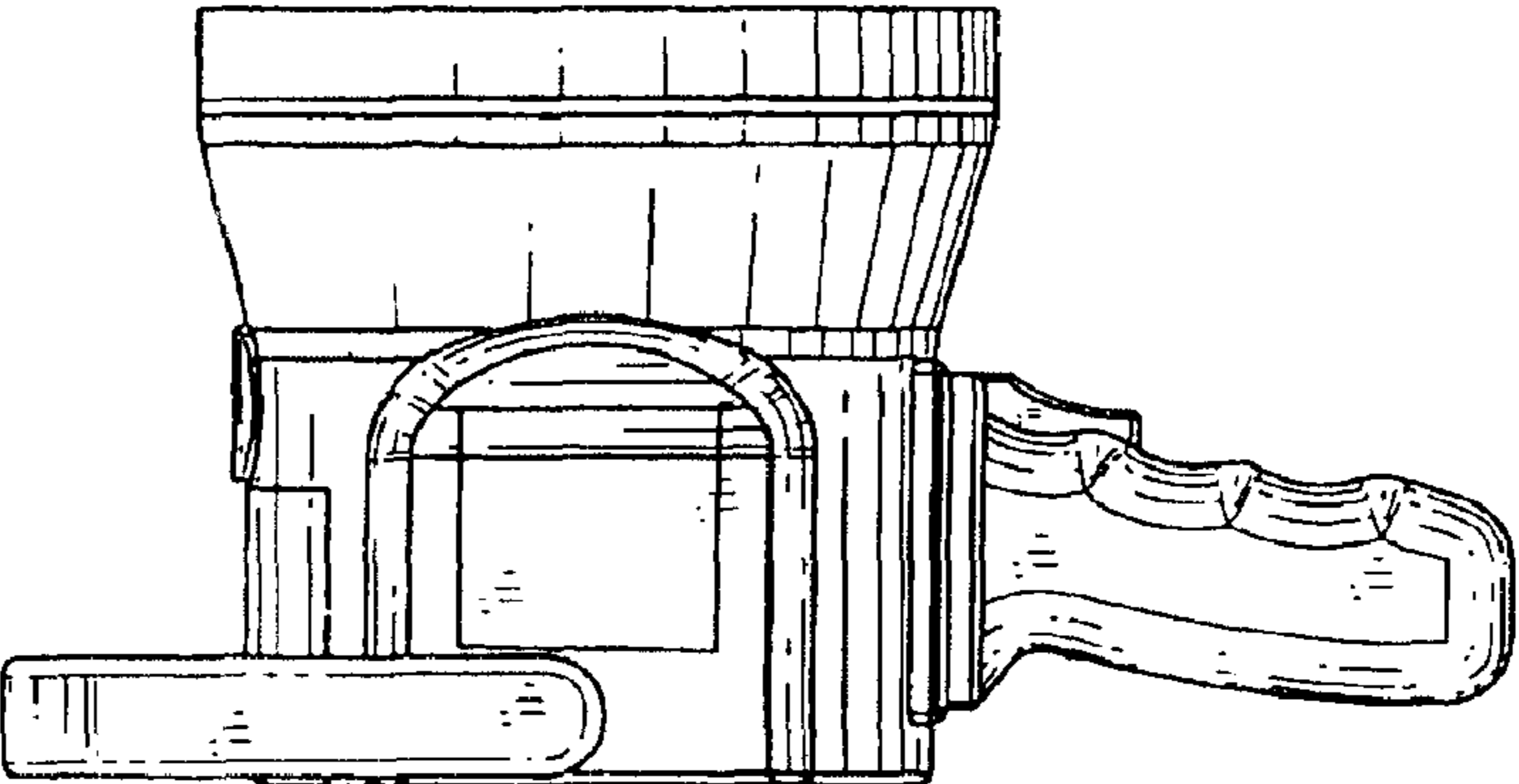


FIG. 1

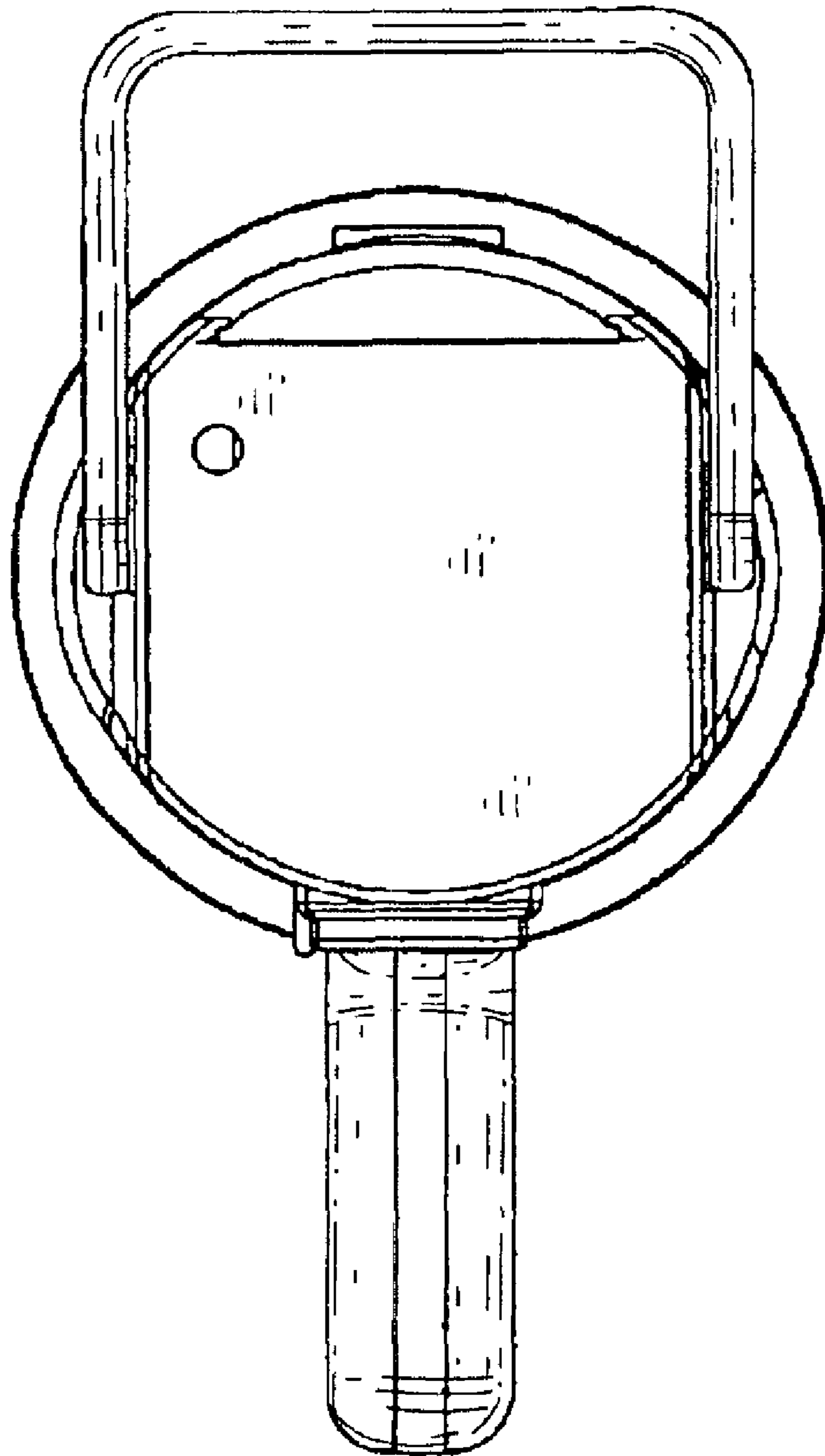


FIG. 5