



US00D507065S

(12) **United States Design Patent**
Son

(10) **Patent No.:** **US D507,065 S**

(45) **Date of Patent:** **** Jul. 5, 2005**

(54) **CLIP-TYPE ILLUMINATING LAMP**

(76) **Inventor:** **Dae-Up Son**, 143-34, Kajwa-dong,
Seo-ku, Inchun Shi (KR)

(**) **Term:** **14 Years**

(21) **Appl. No.:** **29/211,623**

(22) **Filed:** **Aug. 19, 2004**

(30) **Foreign Application Priority Data**

Apr. 24, 2004 (KR) 30-2004-0011842

(51) **LOC (8) Cl.** **26-02**

(52) **U.S. Cl.** **D26/39**

(58) **Field of Search** D26/37-50; 362/157,
362/158, 171-174, 183-208

(56) **References Cited**

U.S. PATENT DOCUMENTS

D447,586 S * 9/2001 Shing D26/39
D500,377 S * 12/2004 Yamamoto et al. D26/39

* cited by examiner

Primary Examiner—Marcus A. Jackson

(74) *Attorney, Agent, or Firm*—Birch, Stewart, Kolasch &
Birch, LLP

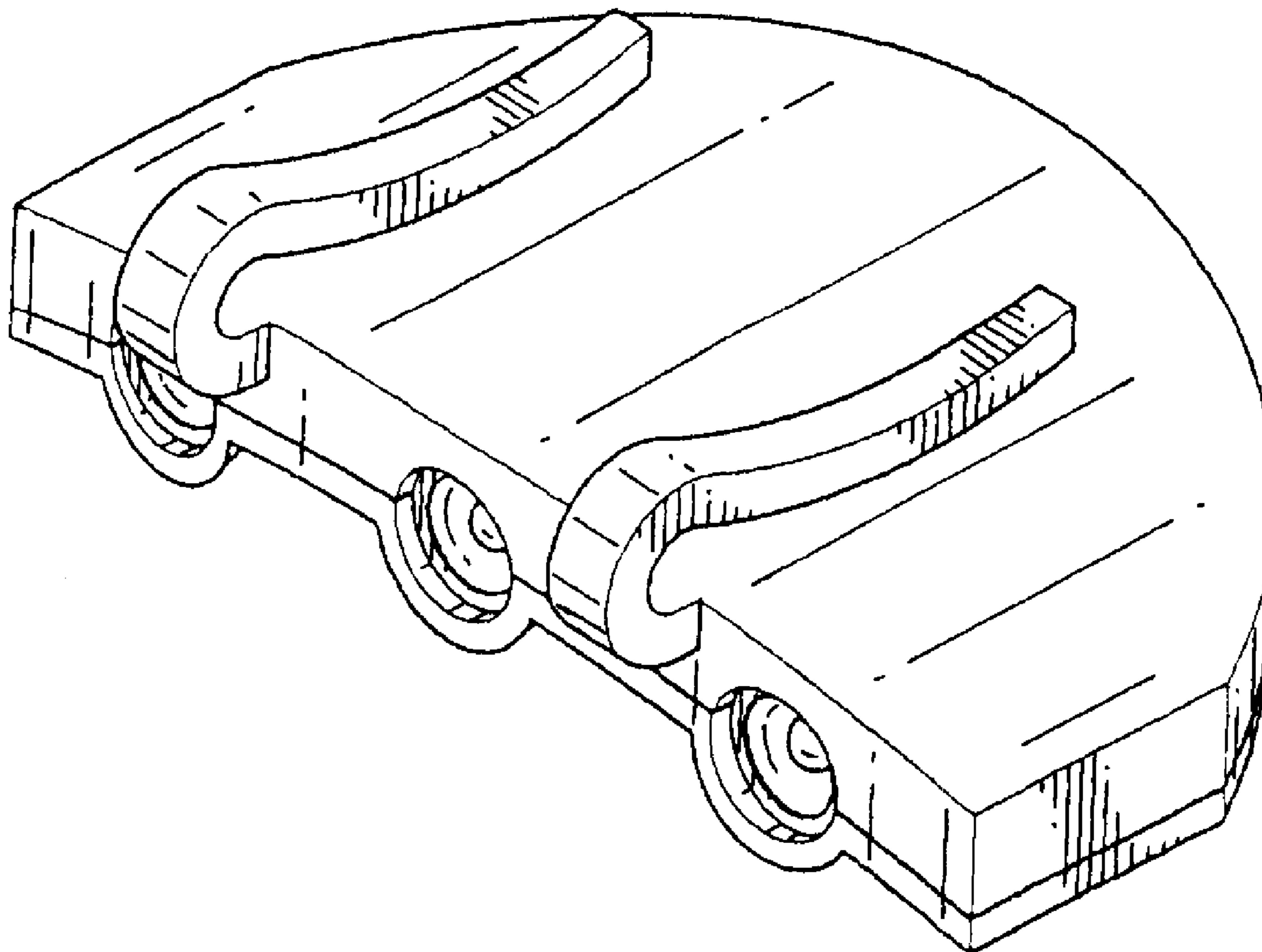
(57) **CLAIM**

The ornamental design for a clip-type illuminating lamp, as shown and described.

DESCRIPTION

FIG. 1 is a perspective view of the clip-type illuminating lamp showing my new design;
FIG. 2 is a front elevational view thereof;
FIG. 3 is a rear elevational view thereof;
FIG. 4 is a right side elevational view thereof;
FIG. 5 is a left side elevational view thereof;
FIG. 6 is a top plan view thereof;
FIG. 7 is a bottom plan view thereof; and,
FIG. 8 is a top perspective view thereof, with the broken line showing for illustrative purposes only and forming no part of the claimed design.

1 Claim, 2 Drawing Sheets



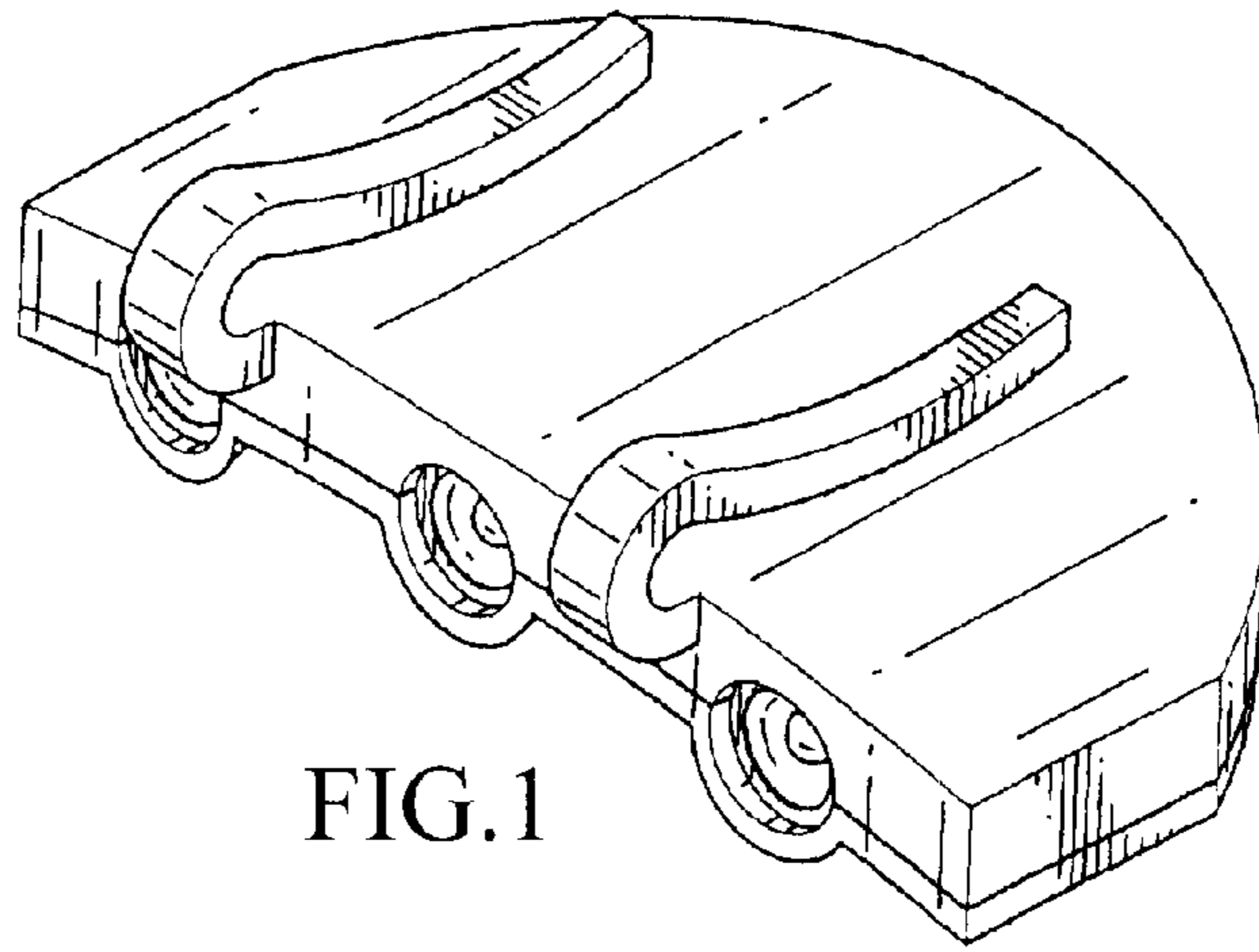


FIG. 1

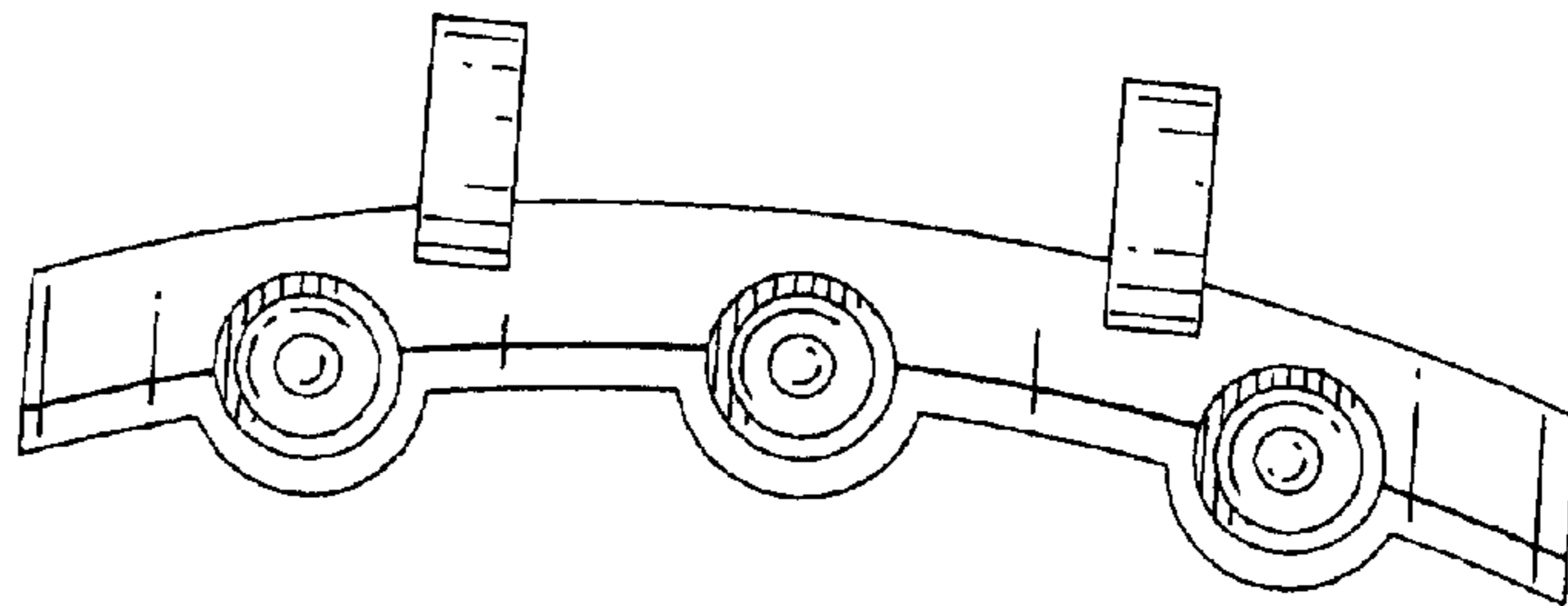


FIG. 2

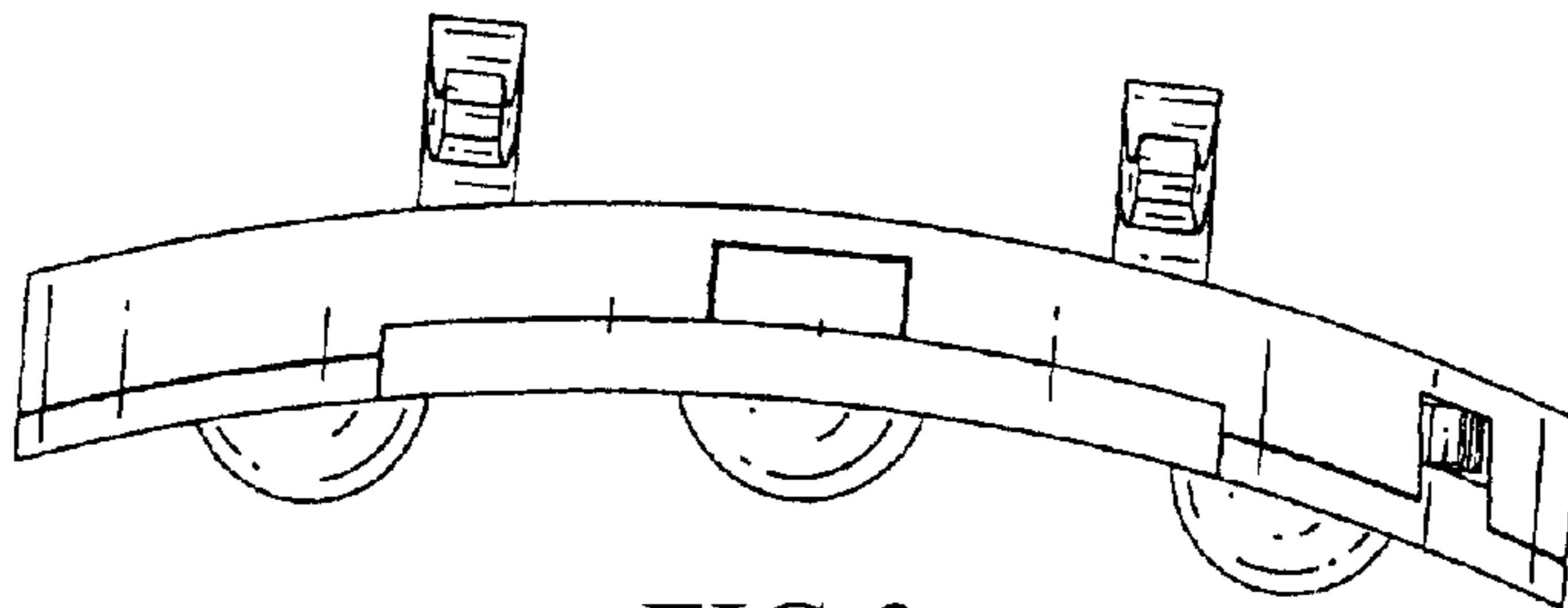


FIG. 3

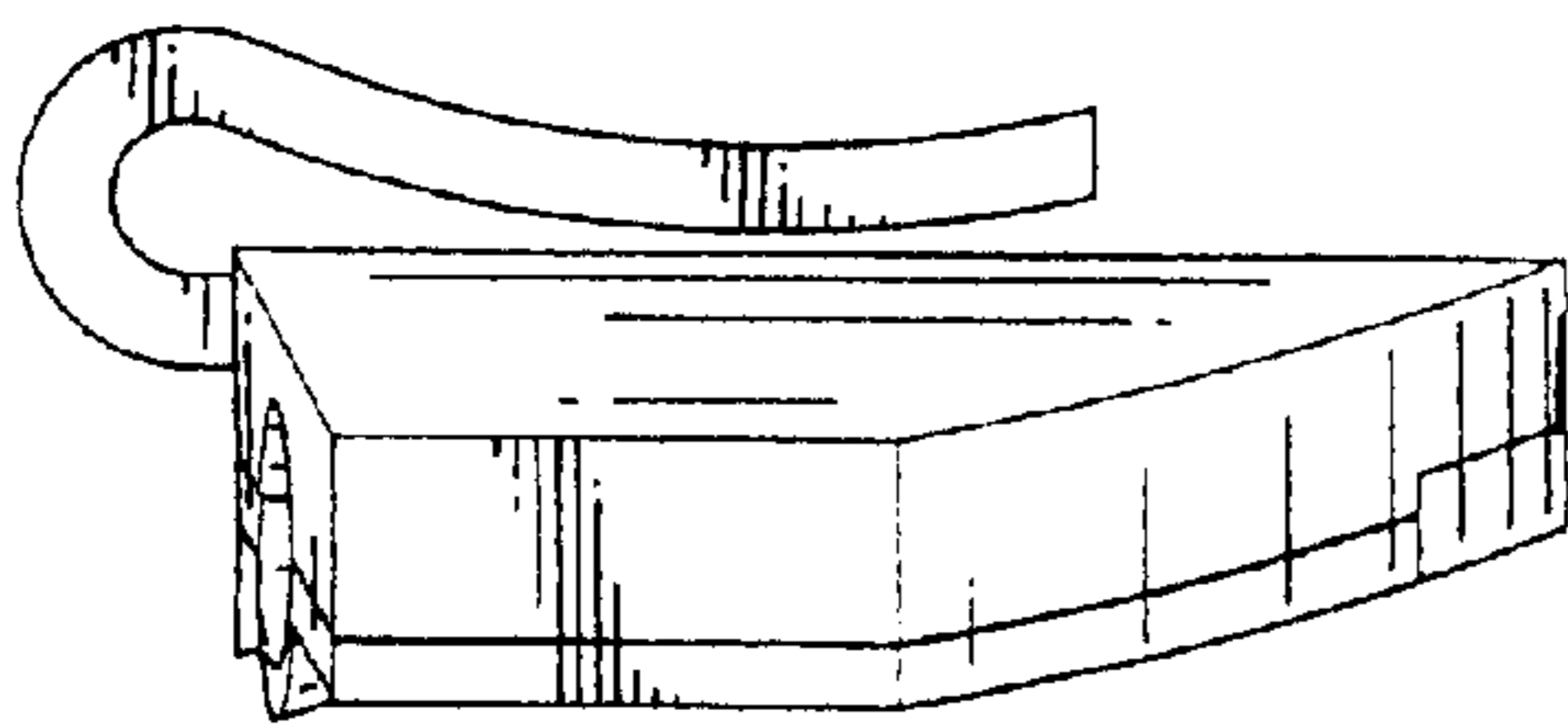


FIG. 4

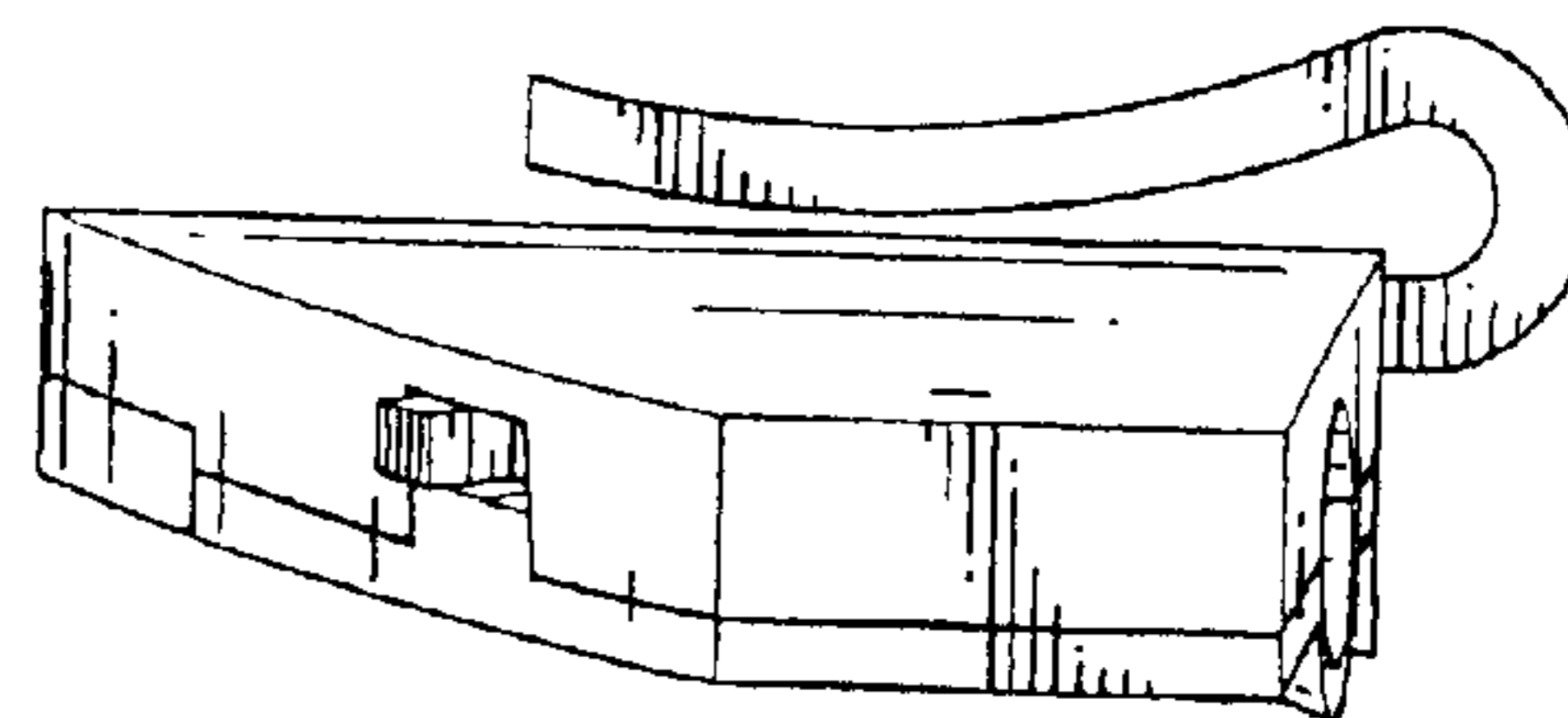


FIG. 5

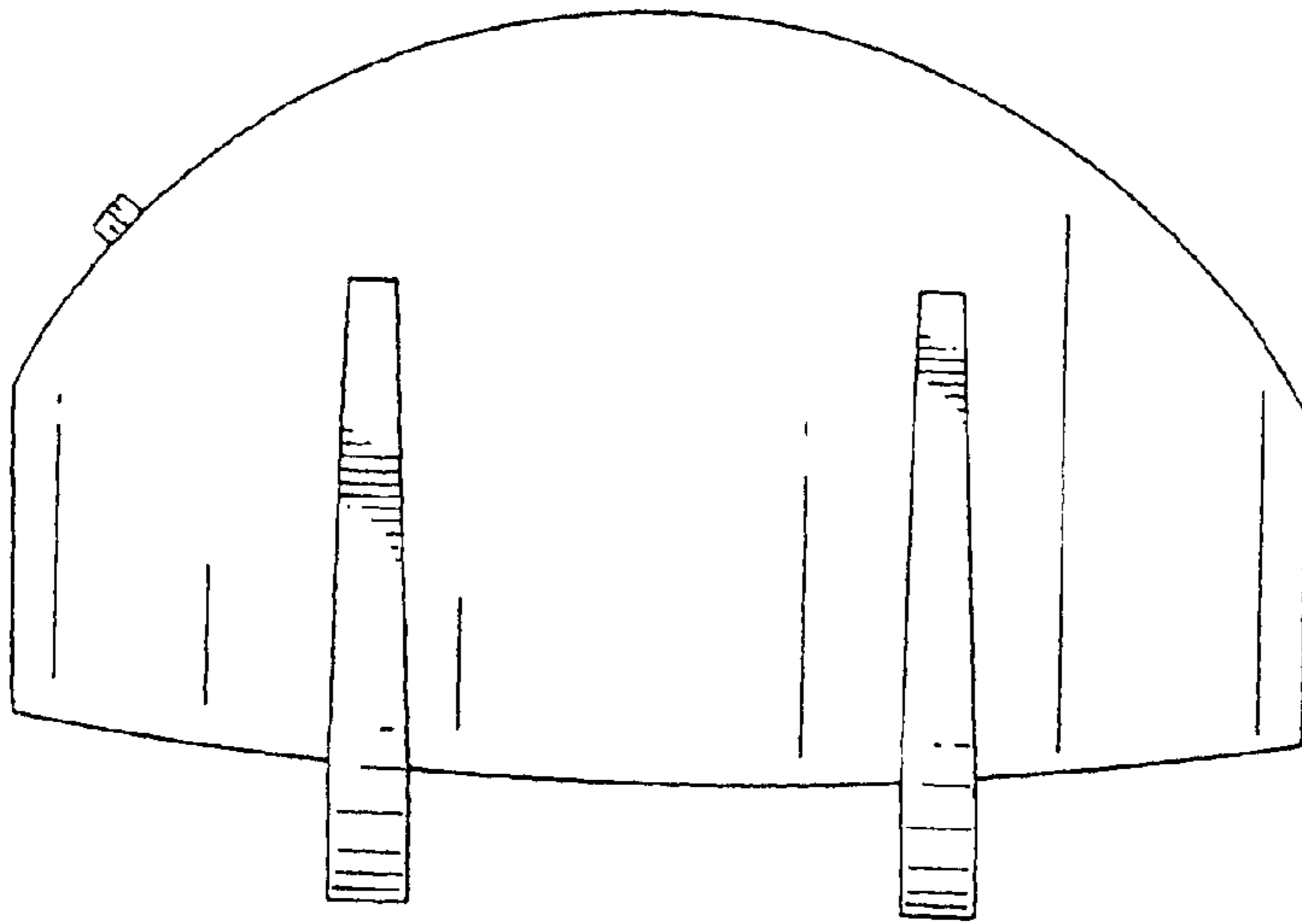


FIG. 6

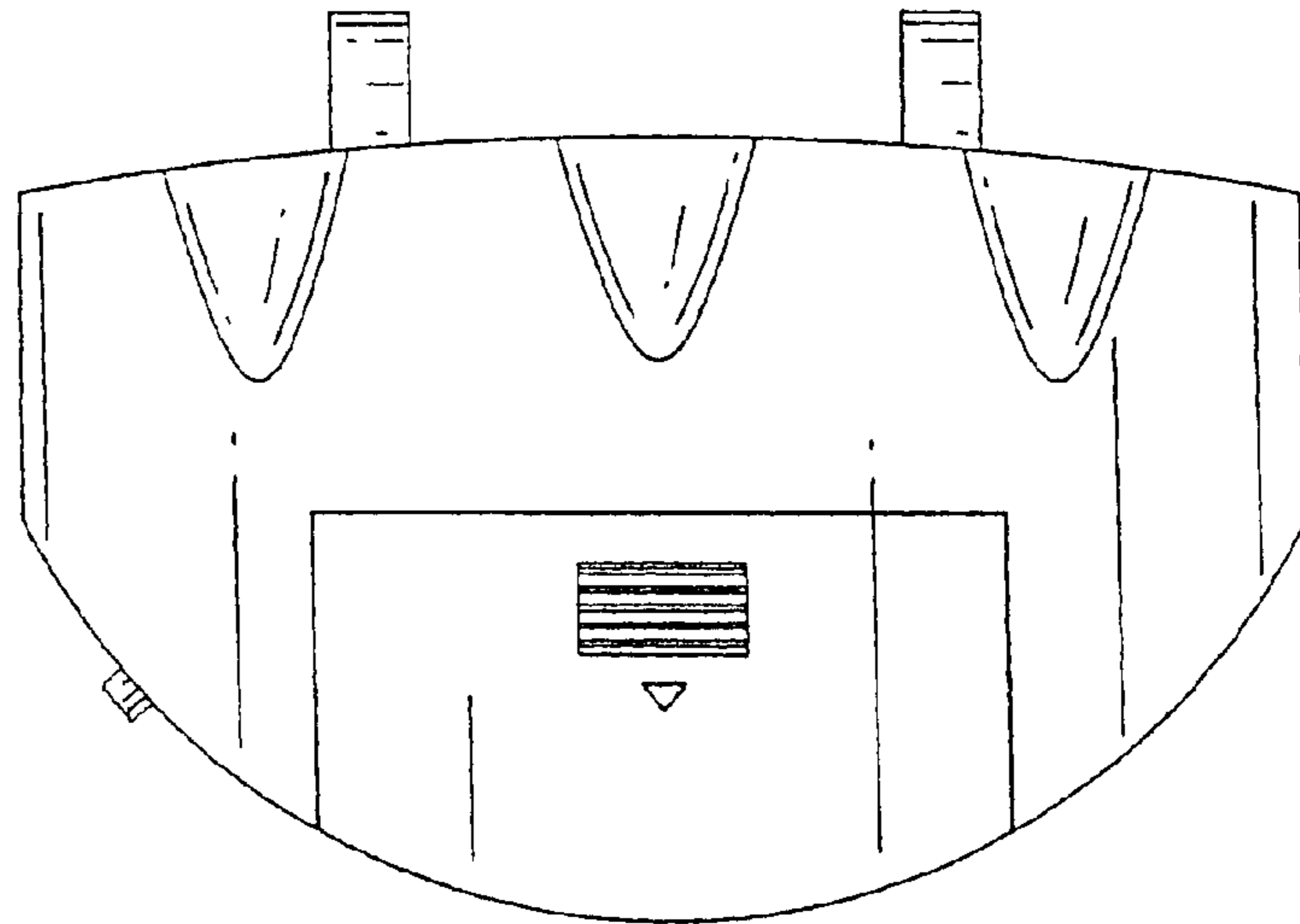


FIG. 7

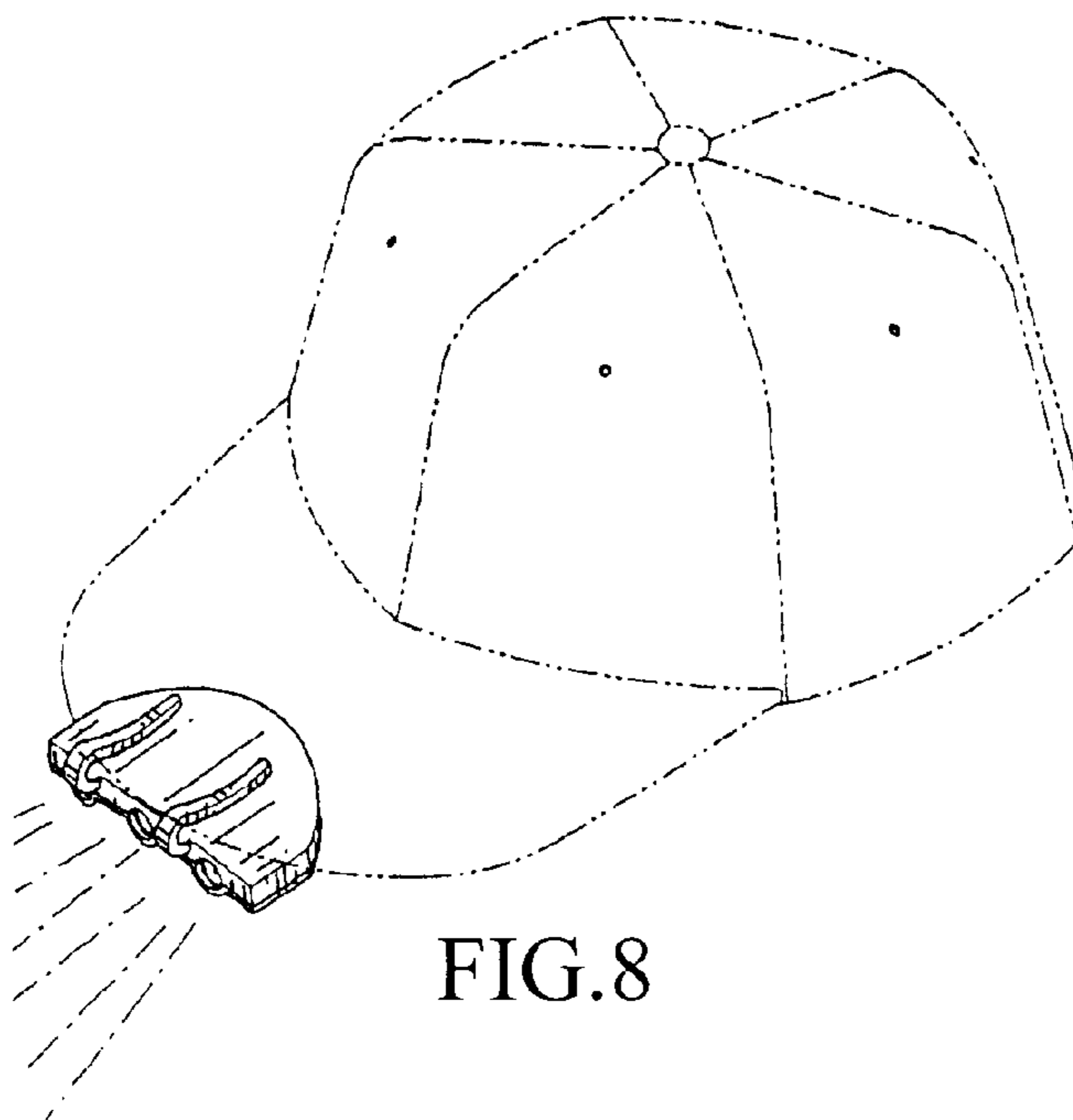


FIG. 8