

US00D507062S

(12) **United States Design Patent**
Boschetto

(10) **Patent No.:** **US D507,062 S**

(45) **Date of Patent:** **** Jul. 5, 2005**

(54) **OUTDOOR WINDOW MOUNTED CANDLE HOLDER**

Primary Examiner—Robin V. Taylor
(74) *Attorney, Agent, or Firm*—Liniak, Berenato and White

(76) **Inventor:** **Andrew A. Boschetto**, 11 James Dr.,
Sewell, NJ (US) 08080

(57) **CLAIM**

The ornamental design for a outdoor window mounted candle holder, as shown and described.

(**) **Term:** **14 Years**

DESCRIPTION

(21) **Appl. No.:** **29/201,811**

FIG. 1 is a front elevational view of an outdoor window mounted candle holder showing my new design;
FIG. 2 is a rear elevational view thereof;
FIG. 3 is a right side elevational view thereof;
FIG. 4 is a left side elevational view thereof;
FIG. 5 is a top plan view thereof;
FIG. 6 is a bottom plan view thereof;
FIG. 7 is a top and left side perspective view thereof; and,
FIG. 8 is a top and left side perspective view thereof, with the window frame, candle tube and electric bulb being shown in broken lines for illustrative purposes only and forming no part of the claimed design.

(22) **Filed:** **Mar. 22, 2004**

(51) **LOC (8) Cl.** **26-01**

(52) **U.S. Cl.** **D26/9**

(58) **Field of Search** D26/9-12; 431/291-2,
431/297; 362/161, 392

(56) **References Cited**

U.S. PATENT DOCUMENTS

- D320,864 S 10/1991 Boschetto
- 5,199,781 A * 4/1993 Sweeny 362/145
- D403,440 S * 12/1998 Holmes et al. D26/9

* cited by examiner

1 Claim, 8 Drawing Sheets

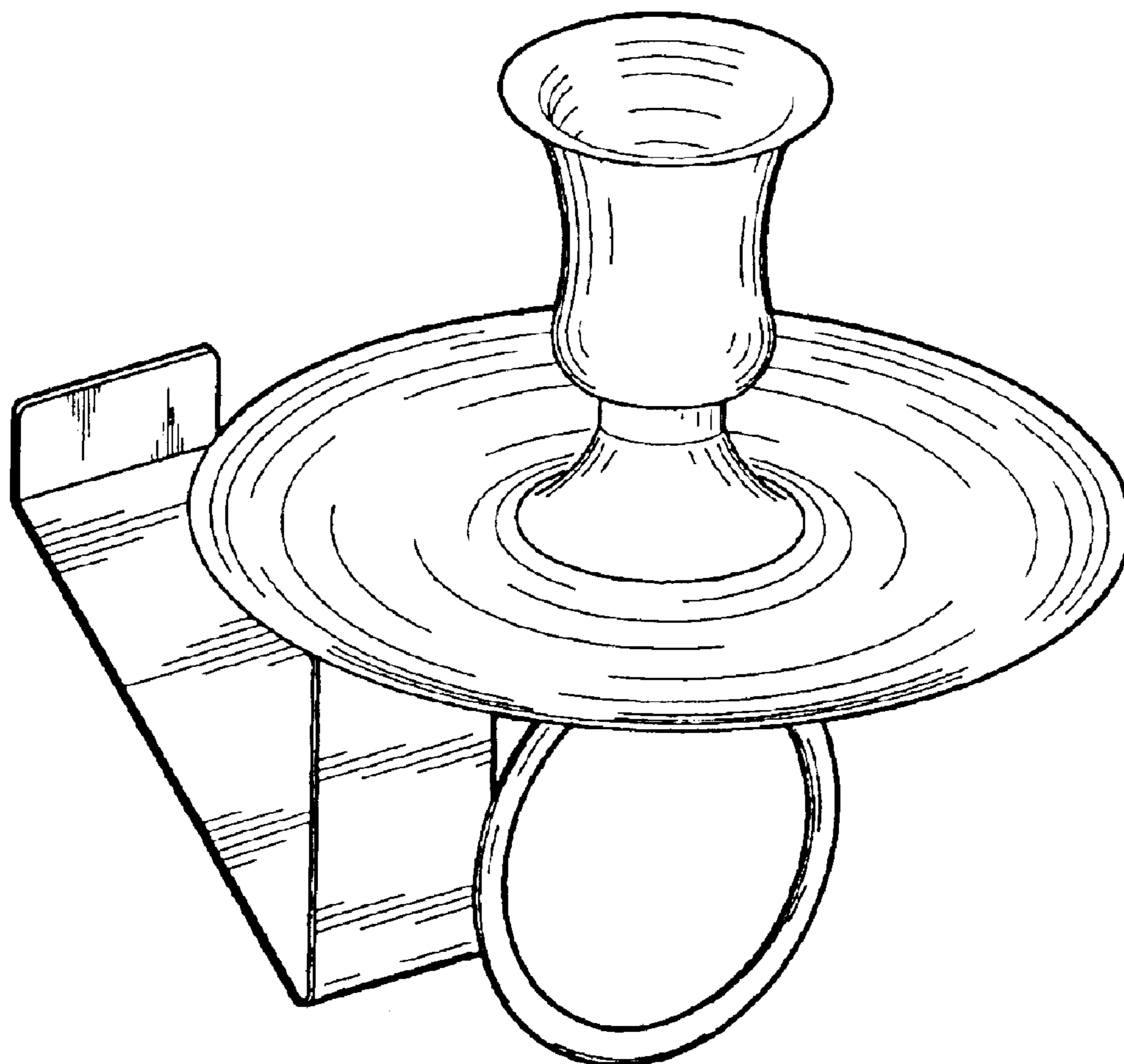


Fig. 1

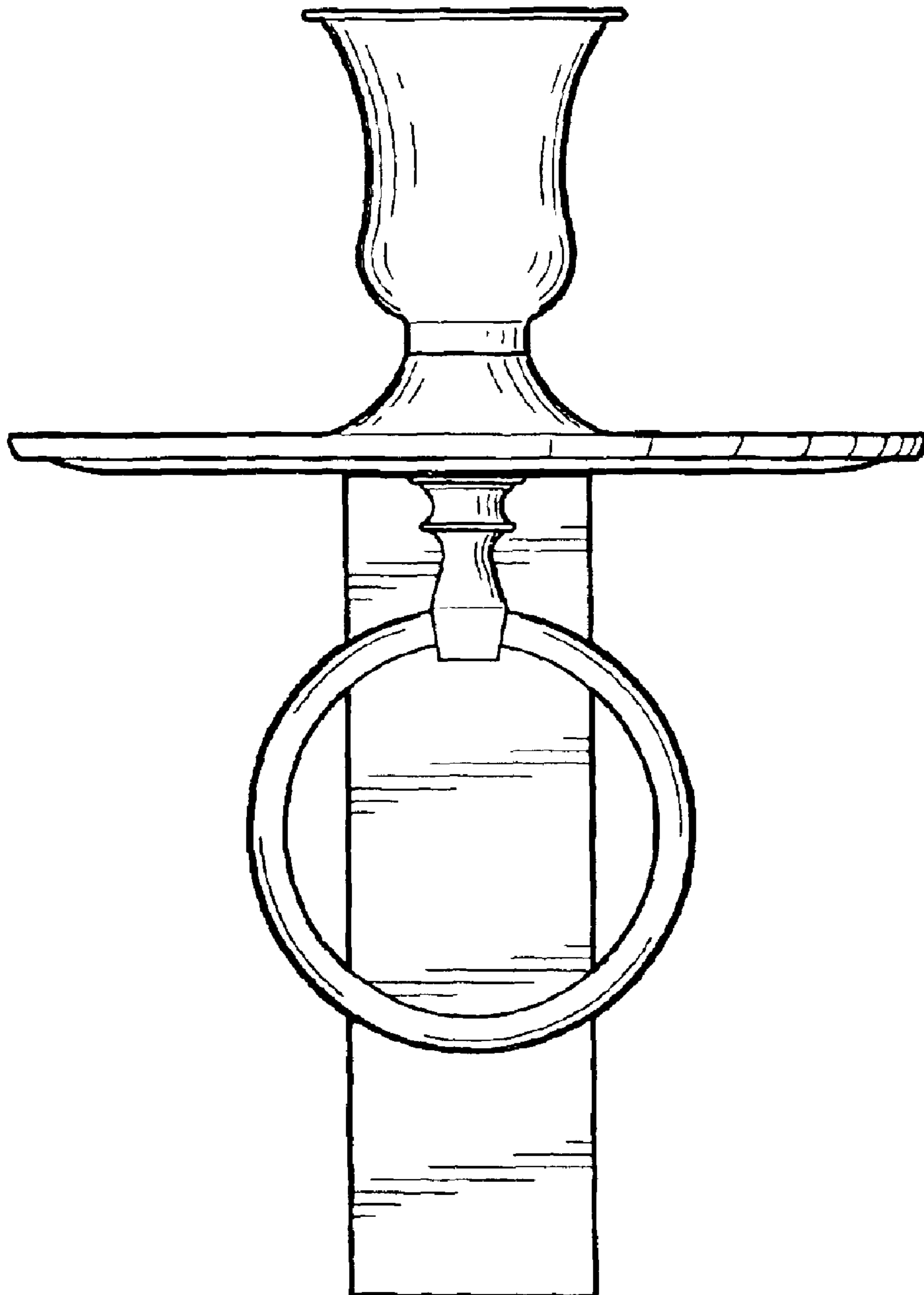


Fig. 2

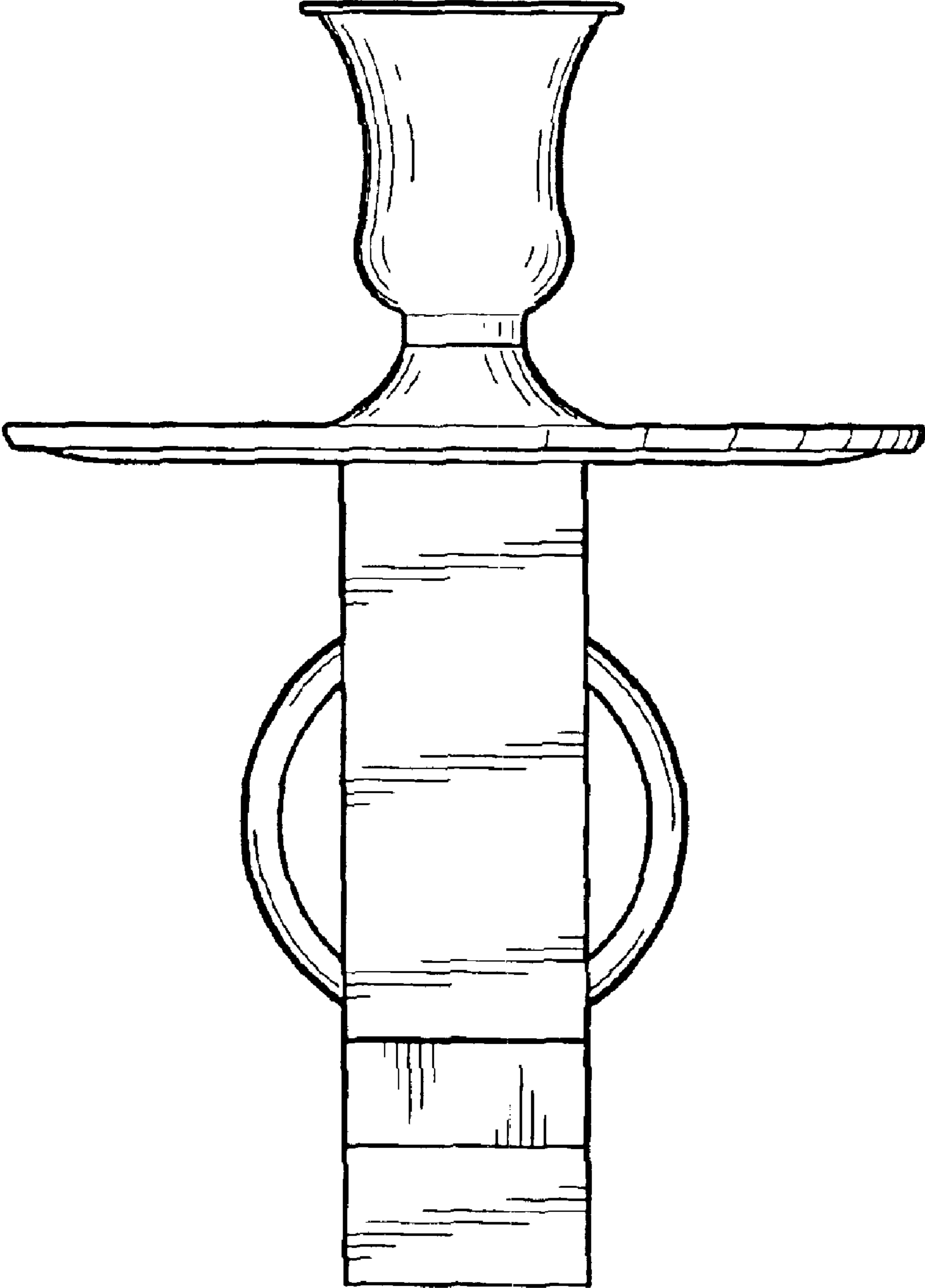


Fig. 3

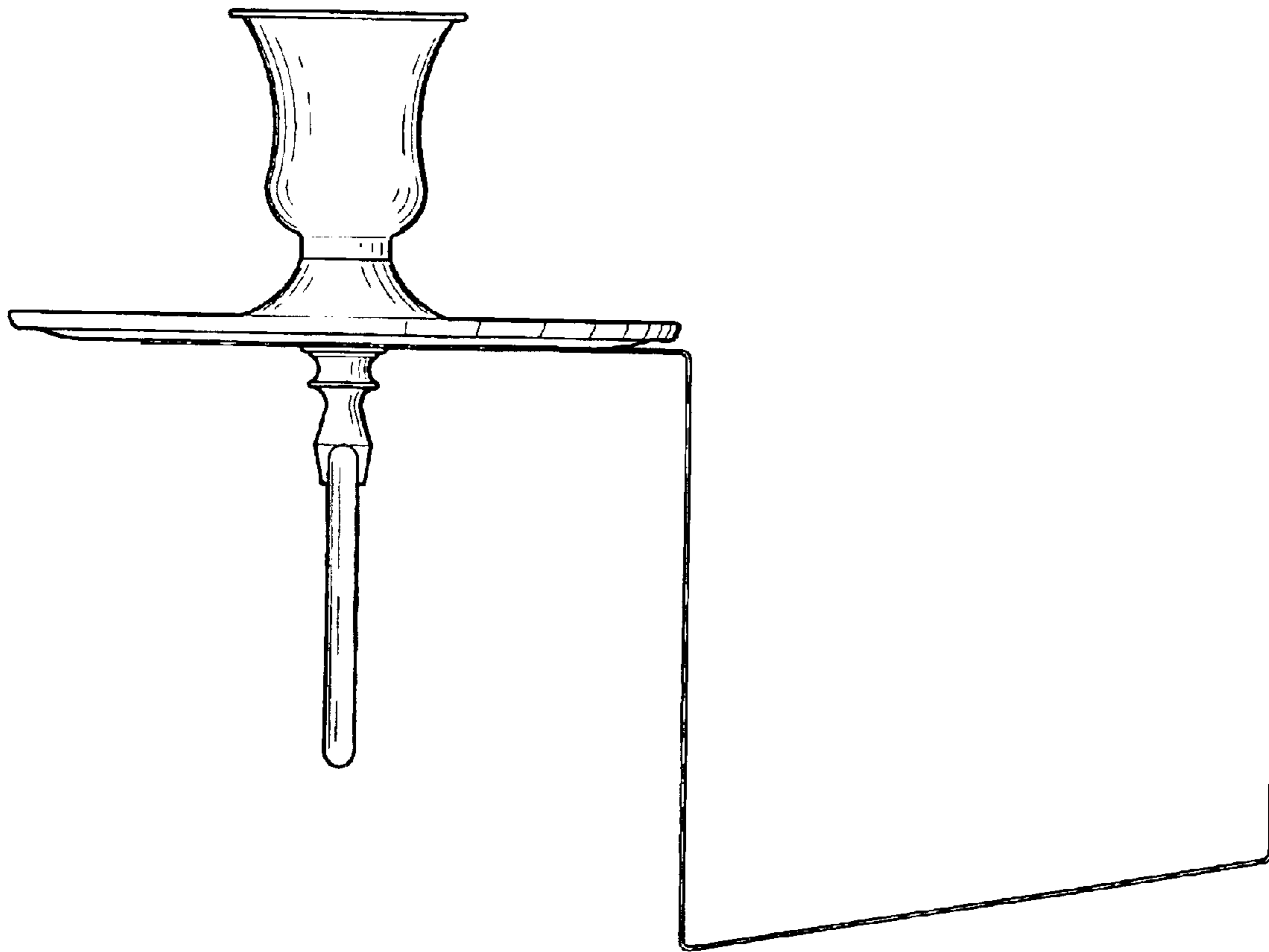


Fig. 4

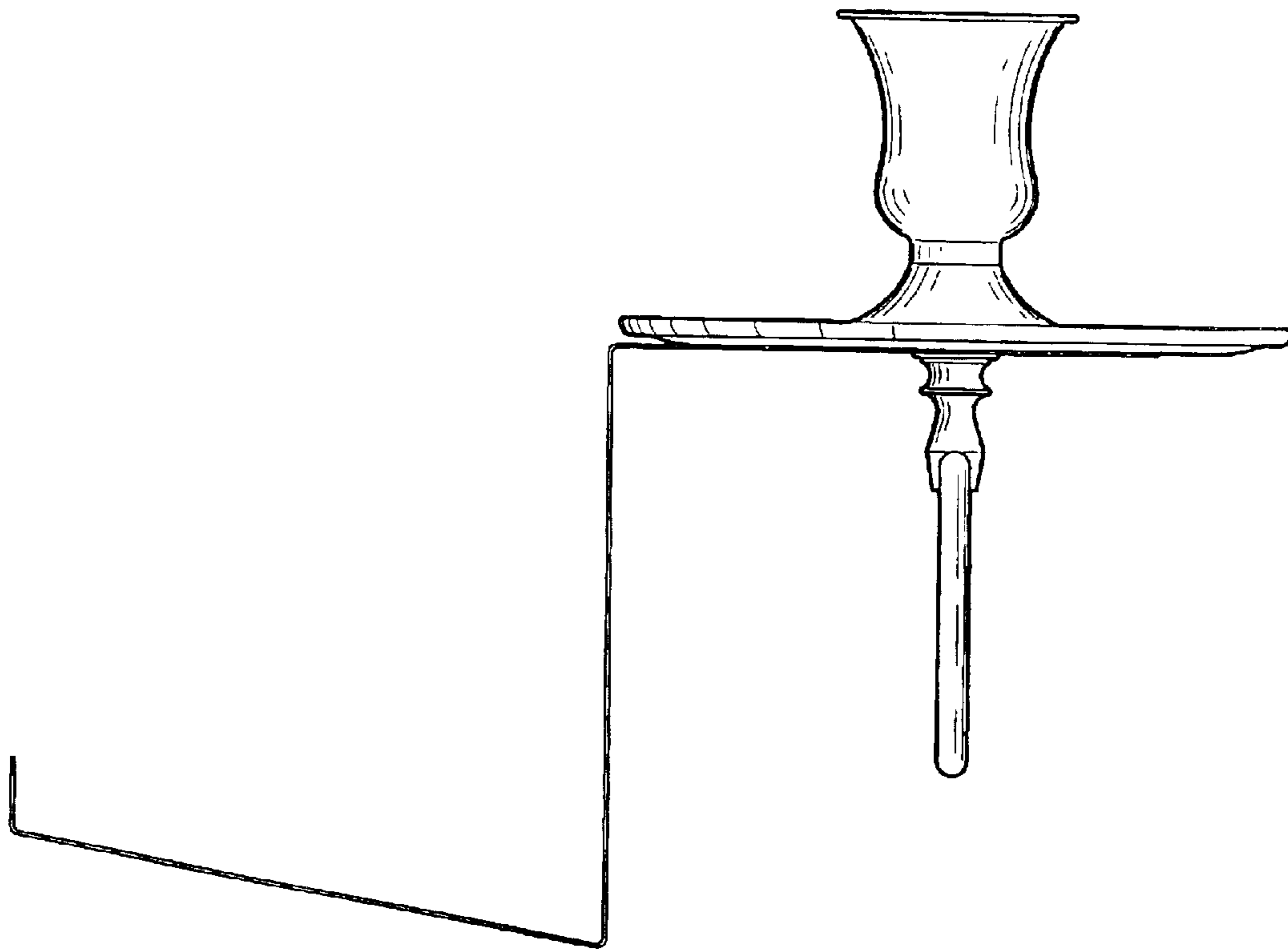


Fig. 5

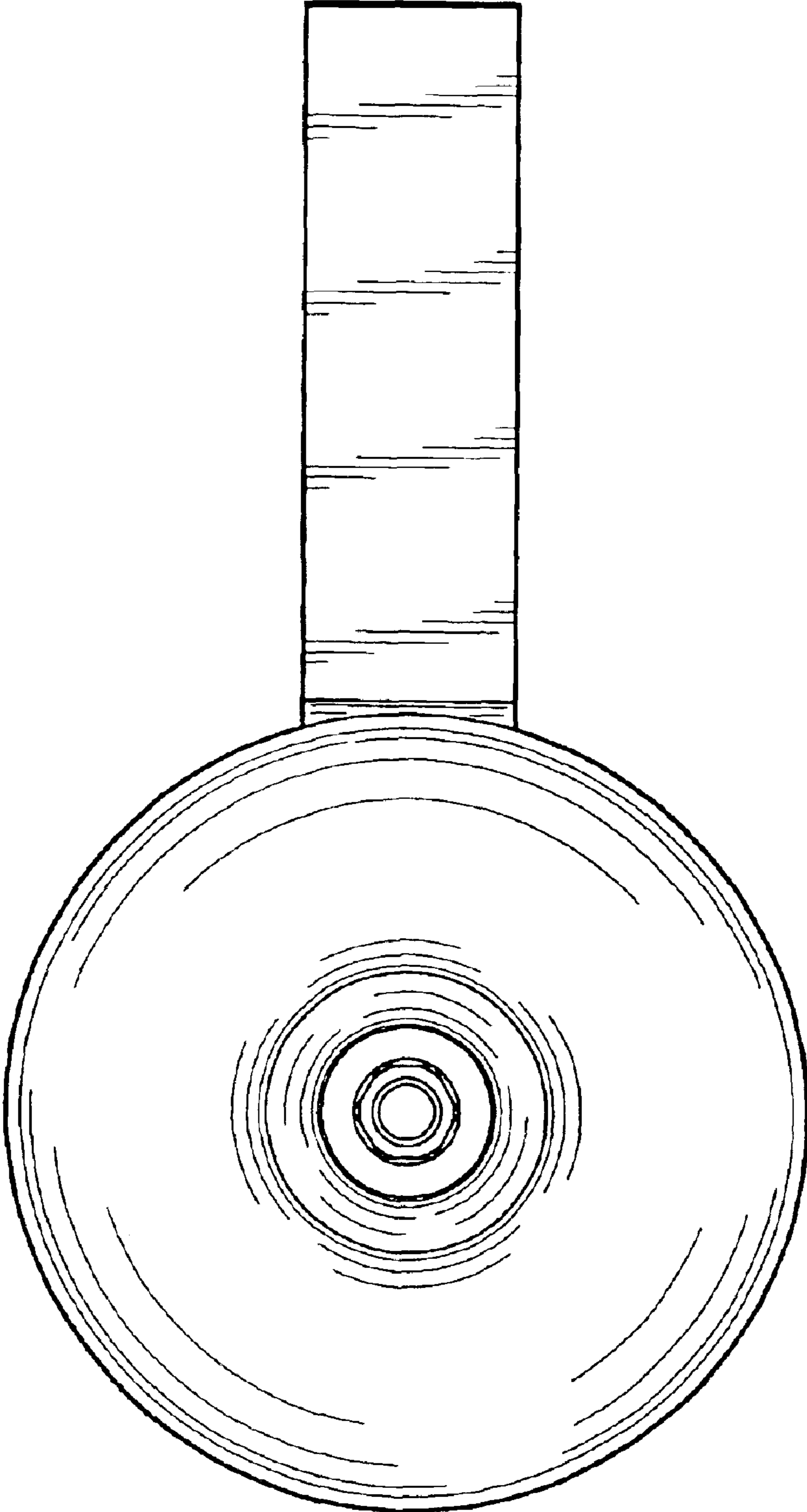


Fig. 6

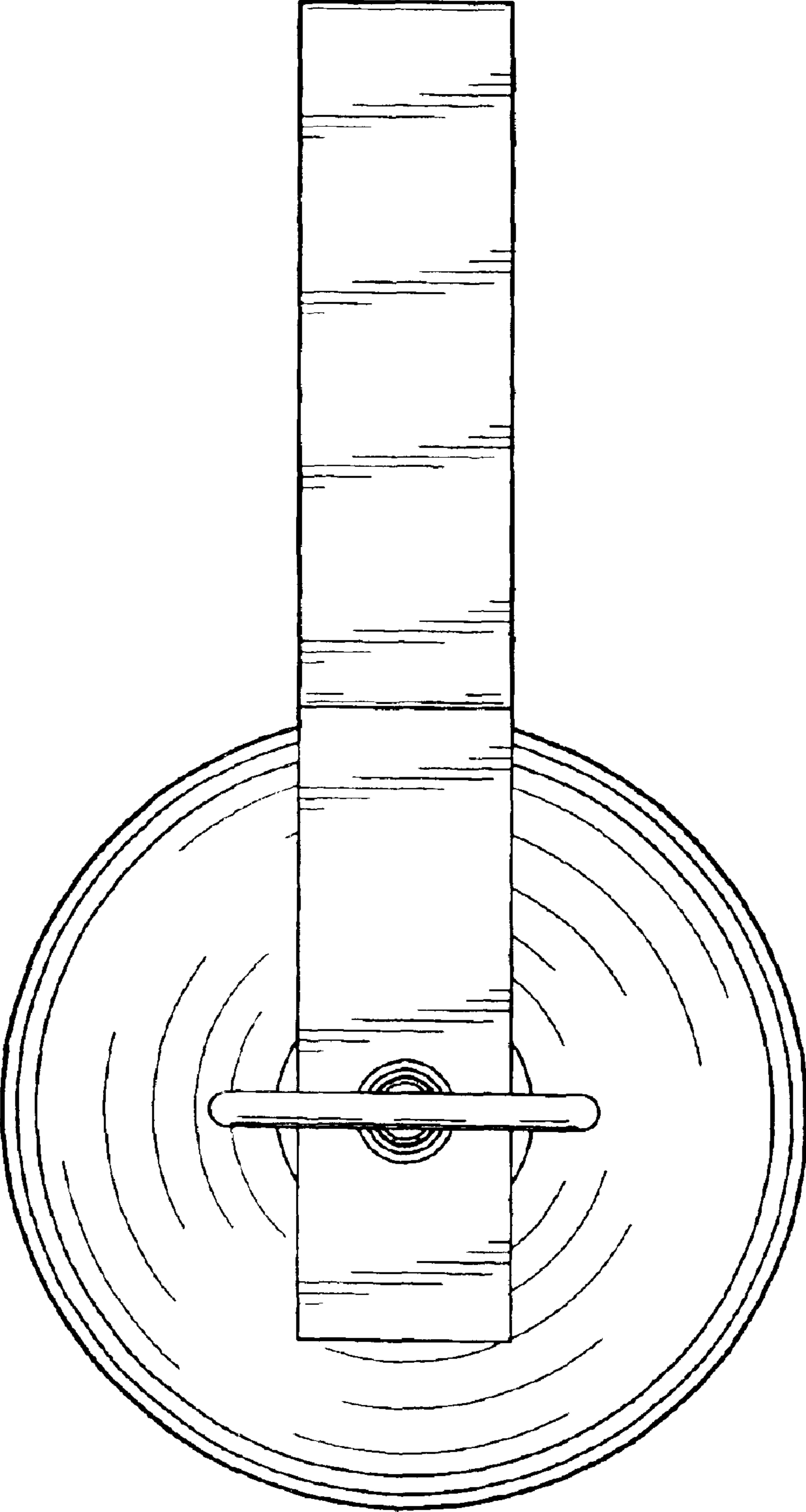


Fig. 7

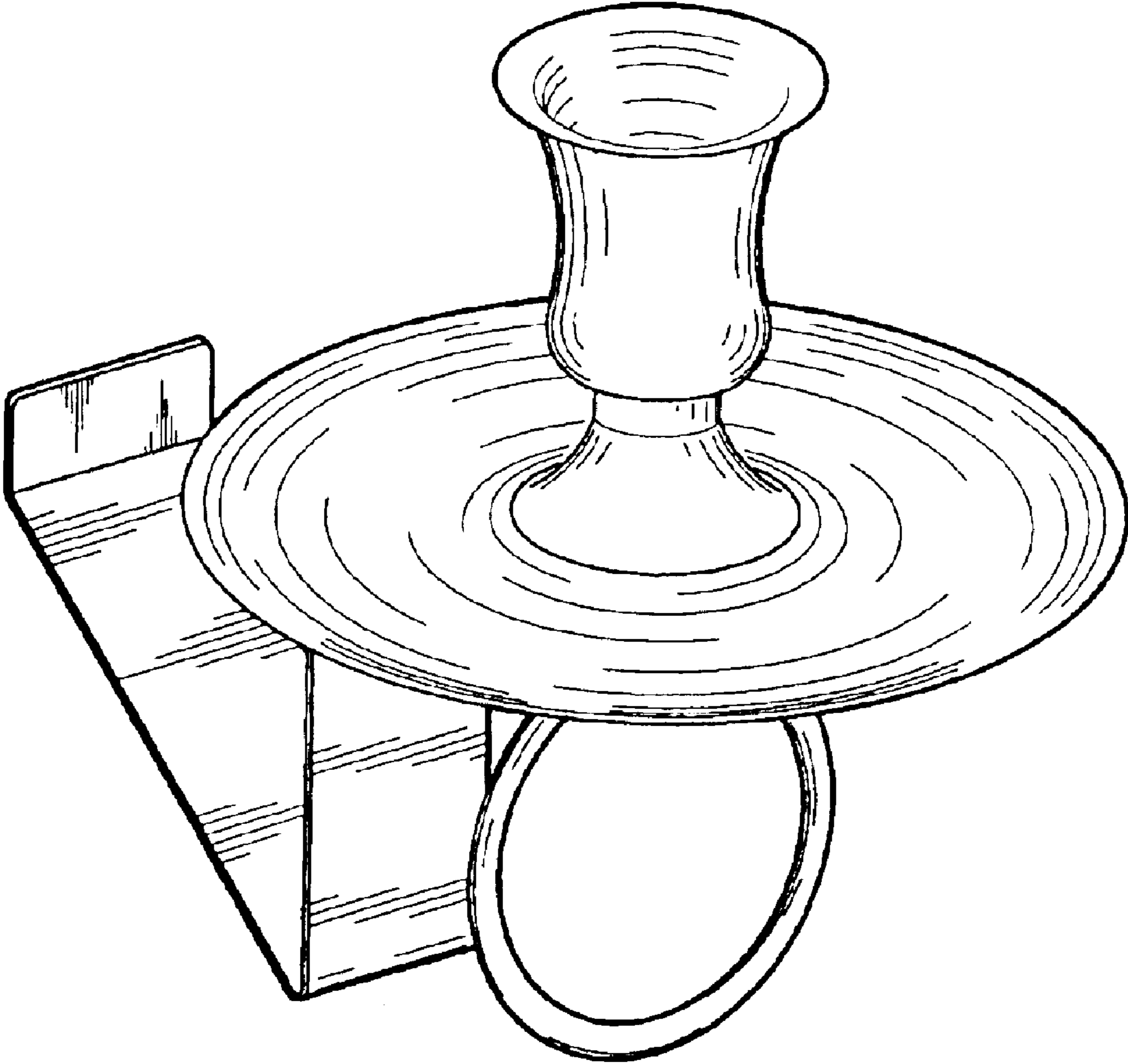


Fig. 8

