



US00D507058S

(12) **United States Design Patent**
Michaels

(10) **Patent No.:** **US D507,058 S**
(45) **Date of Patent:** **** Jul. 5, 2005**

(54) **BUILDING**

(76) **Inventor:** **David Michaels**, 3300 Stewart Ave.,
Las Vegas, NV (US) 89101

(**) **Term:** **14 Years**

(21) **Appl. No.:** **29/207,037**

(22) **Filed:** **Jun. 7, 2004**

(51) **LOC (8) Cl.** **25-03**

(52) **U.S. Cl.** **D25/10**

(58) **Field of Search** D25/10, 7, 33,
D25/4; D21/506, 484, 490

(56) **References Cited**

U.S. PATENT DOCUMENTS

D220,382 S * 4/1971 Cooper D25/10
D283,622 S * 4/1986 Crosby et al. D25/10
D291,356 S * 8/1987 Sapiha D25/10

* cited by examiner

Primary Examiner—Doris Clark

(74) *Attorney, Agent, or Firm*—Robert Ryan Morishita;
Anderson & Morishita, LLC

(57) **CLAIM**

The ornamental design for a building, as shown and described.

DESCRIPTION

FIG. 1 is an elevated perspective view of a building of the present invention;

FIG. 2 is a top view of the building of FIG. 1;

FIG. 3 is a front view of the building of FIG. 1;

FIG. 4 is a right view of the building of FIG. 1;

FIG. 5 is a rear view of the building of FIG. 1; and,

FIG. 6 is a left view of the building of FIG. 1.

1 Claim, 6 Drawing Sheets

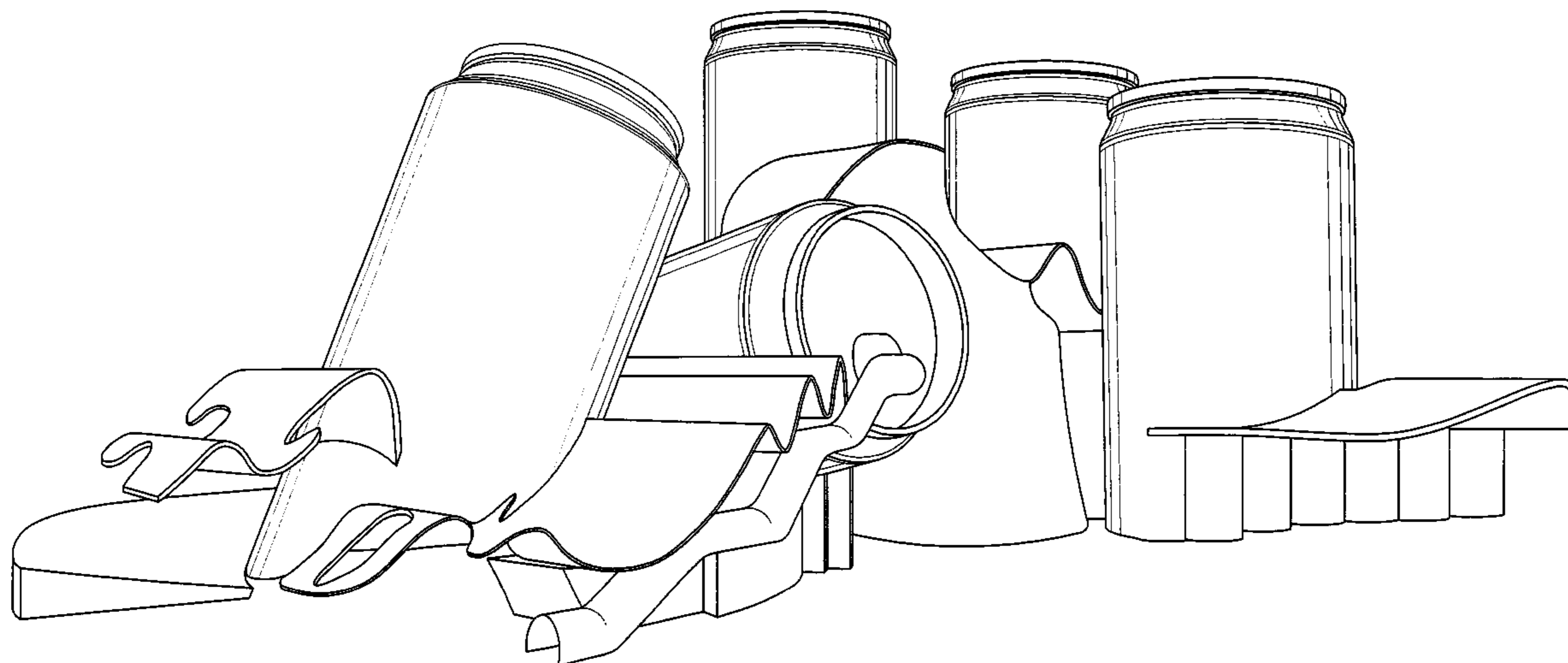
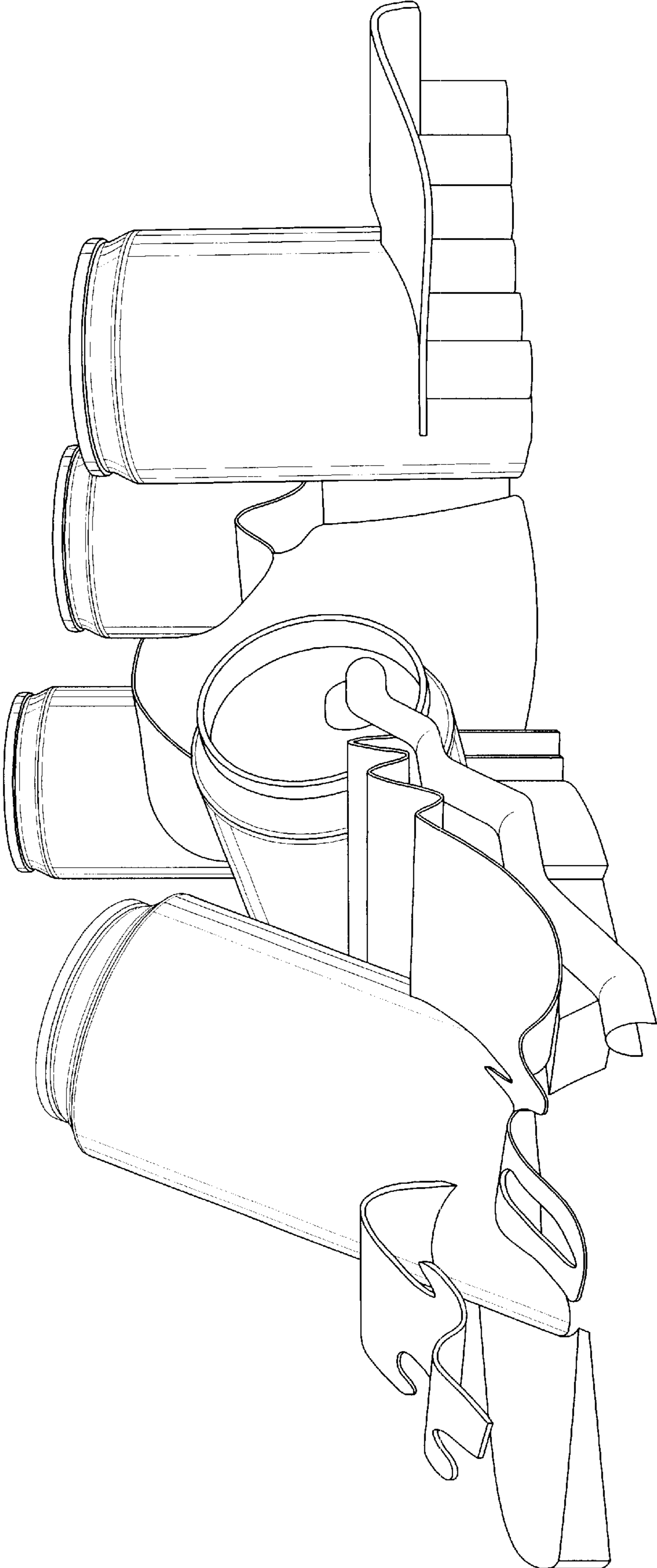


FIG. 1



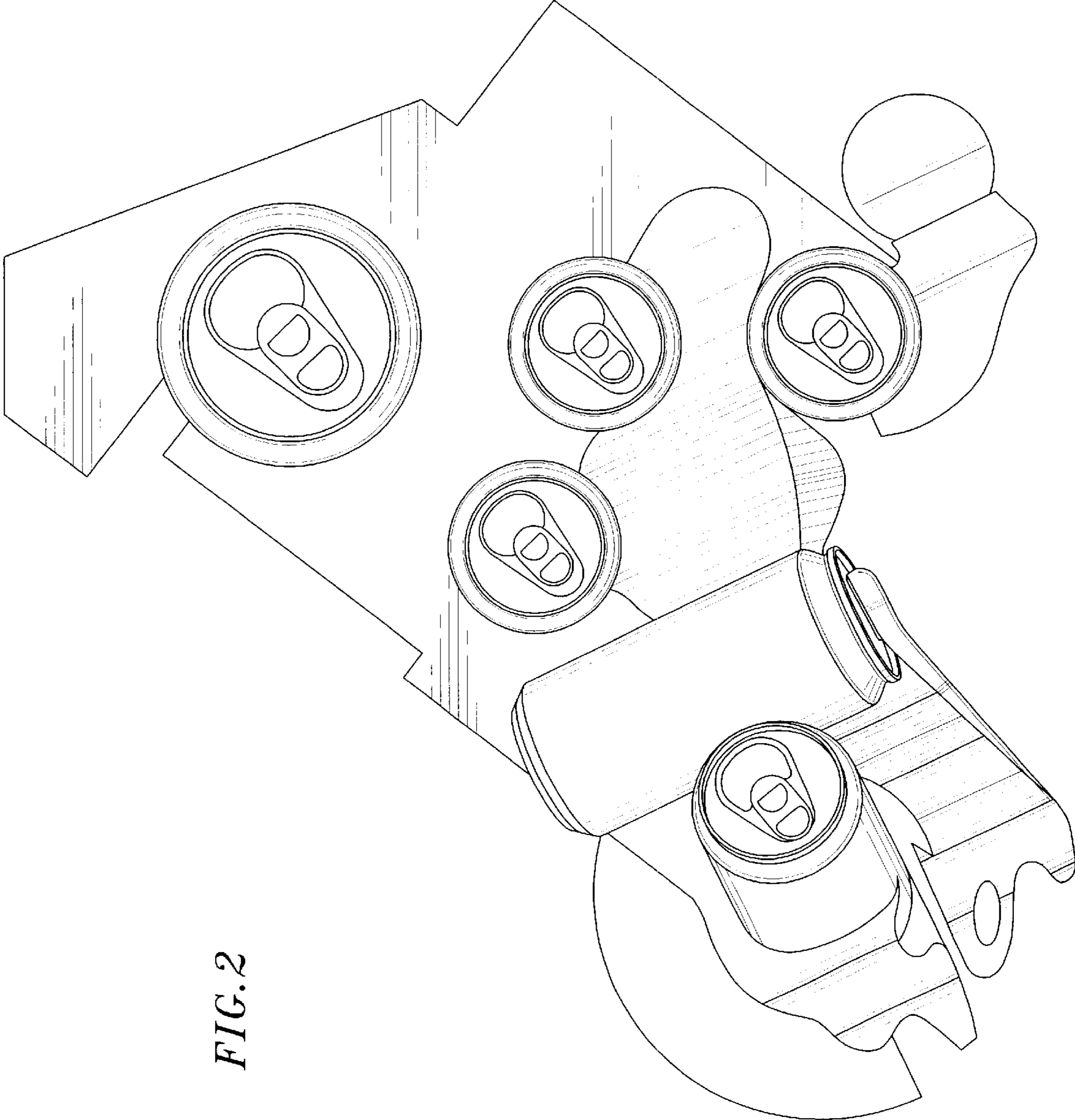


FIG. 2

FIG. 3

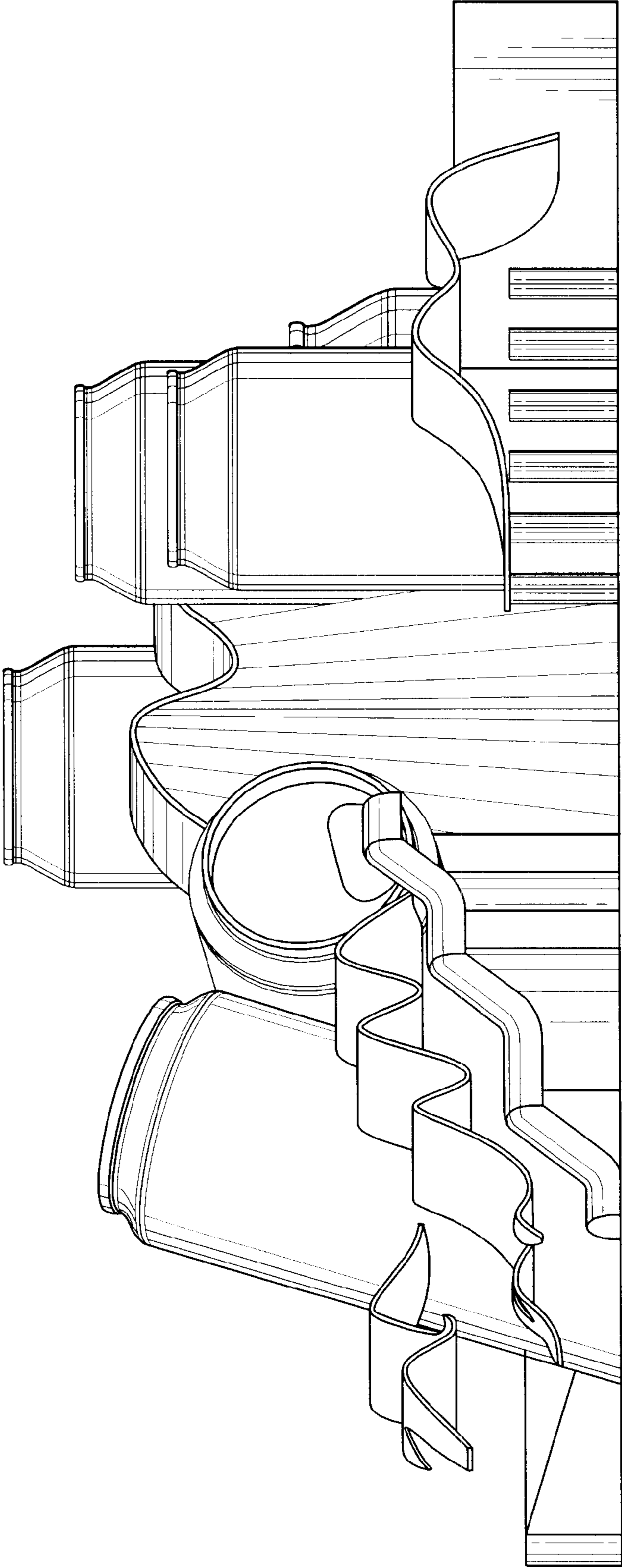


FIG. 4

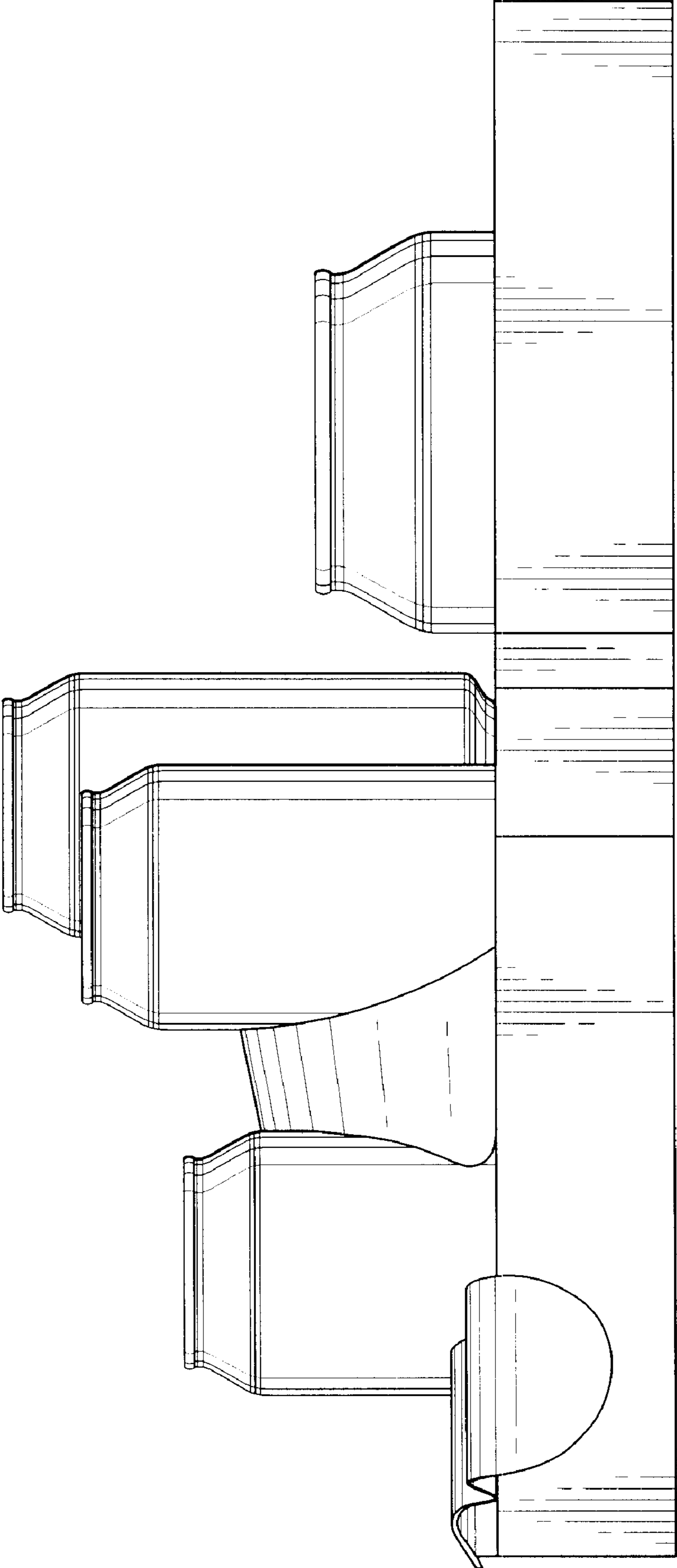


FIG. 5

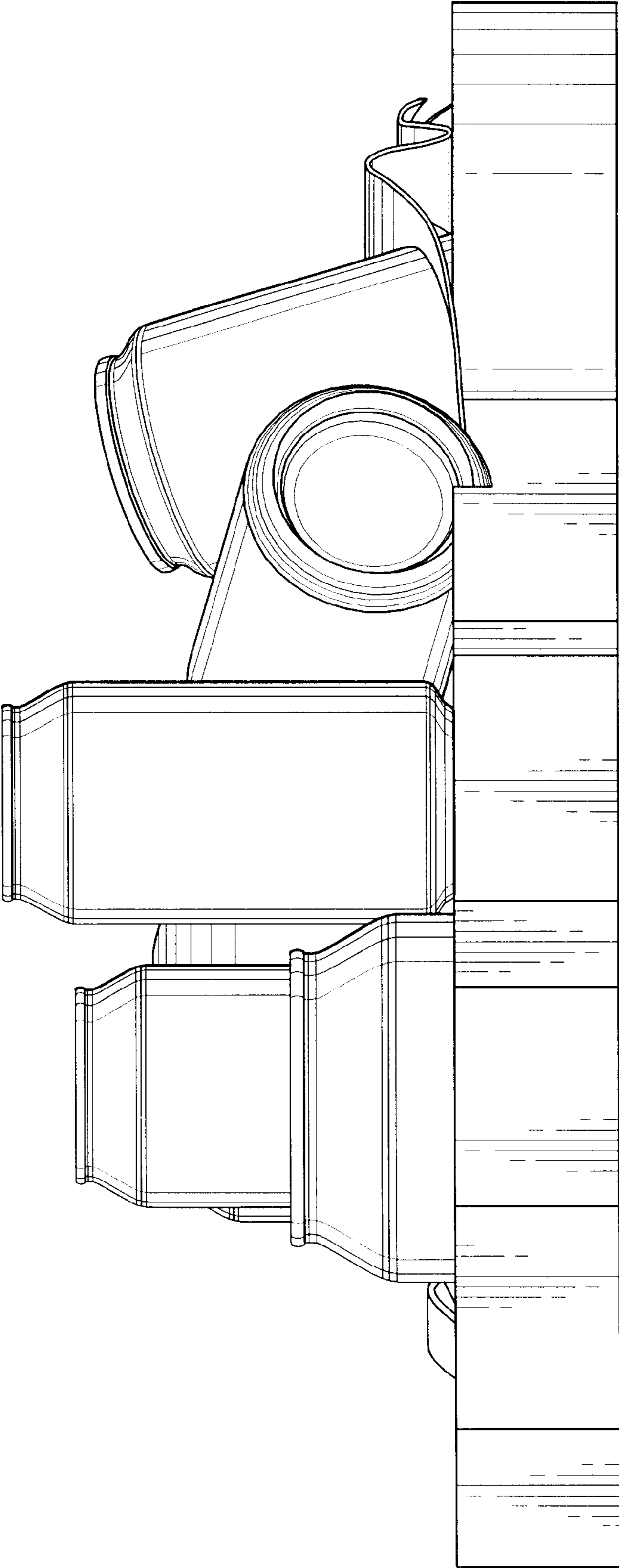


FIG. 6

