

US00D507050S

(12) **United States Design Patent**
Curtin

(10) **Patent No.:** **US D507,050 S**

(45) **Date of Patent:** **** Jul. 5, 2005**

(54) **CEILING FAN HOUSING**

(75) **Inventor:** **Brett Curtin**, Phoenix, AZ (US)

(73) **Assignee:** **Craftmade International, Inc.**,
Coppell, TX (US)

(**) **Term:** **14 Years**

(21) **Appl. No.:** **29/197,422**

(22) **Filed:** **Jan. 14, 2004**

(51) **LOC (8) Cl.** **23-04**

(52) **U.S. Cl.** **D23/411**

(58) **Field of Search** D23/411, 377,
D23/385, 379; 416/5

(56) **References Cited**

U.S. PATENT DOCUMENTS

D452,307 S * 12/2001 Dolan D23/411

D480,129 S * 9/2003 Curtin D23/377

* cited by examiner

Primary Examiner—Lisa Lichtenstein

(74) *Attorney, Agent, or Firm*—Haynes and Boone, LLP

(57) **CLAIM**

The ornamental design for a ceiling fan housing, as shown and described.

DESCRIPTION

FIG. 1 is a perspective view of the ceiling fan housing showing my new design;

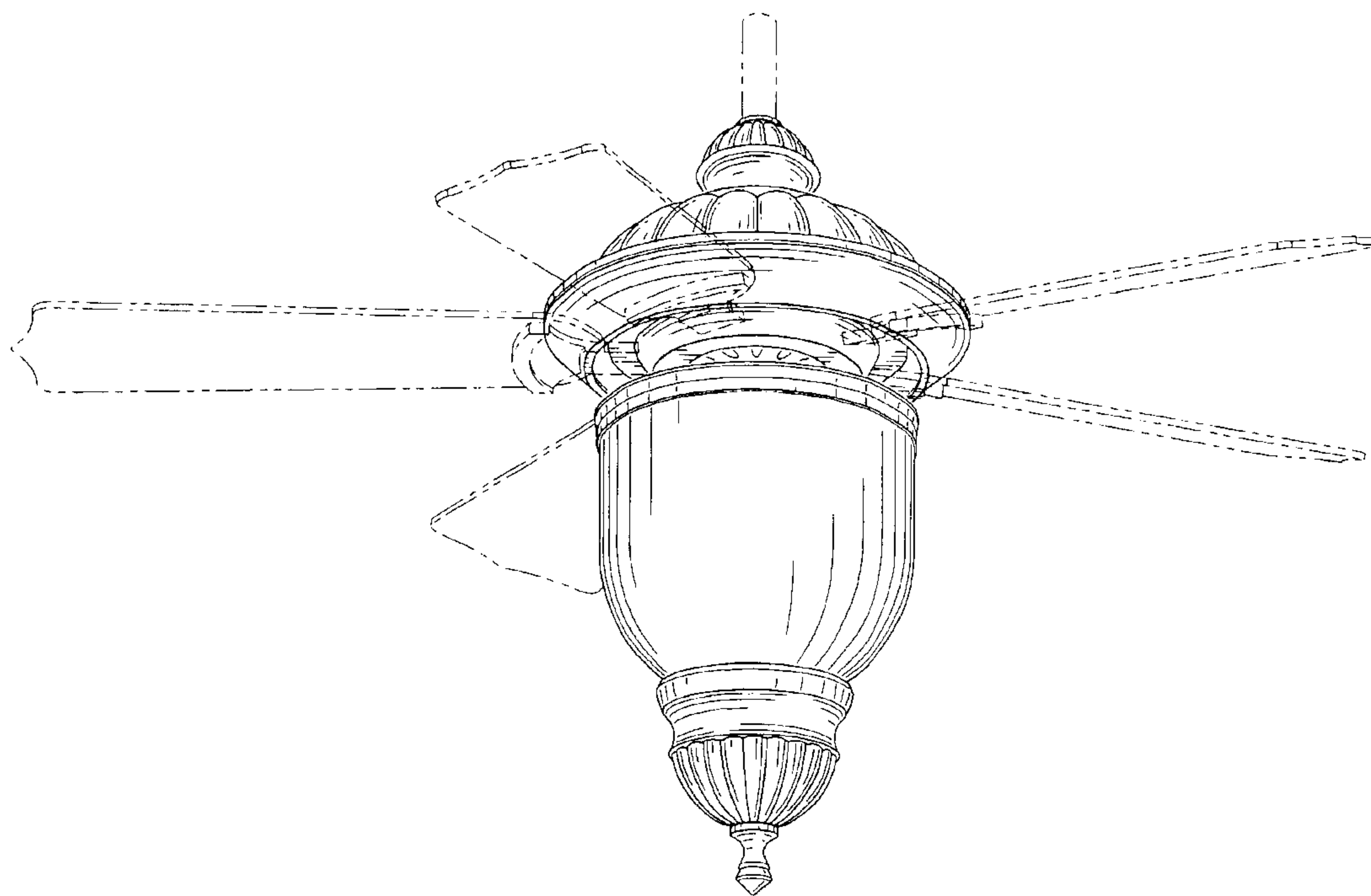
FIG. 2 is a front view thereof, the right side view, the left side view, and the rear view being the same;

FIG. 3 is a top view thereof; and,

FIG. 4 is a bottom view thereof.

Any broken line illustration of environmental structure in the drawings is not part of the design sought to be patented.

1 Claim, 4 Drawing Sheets



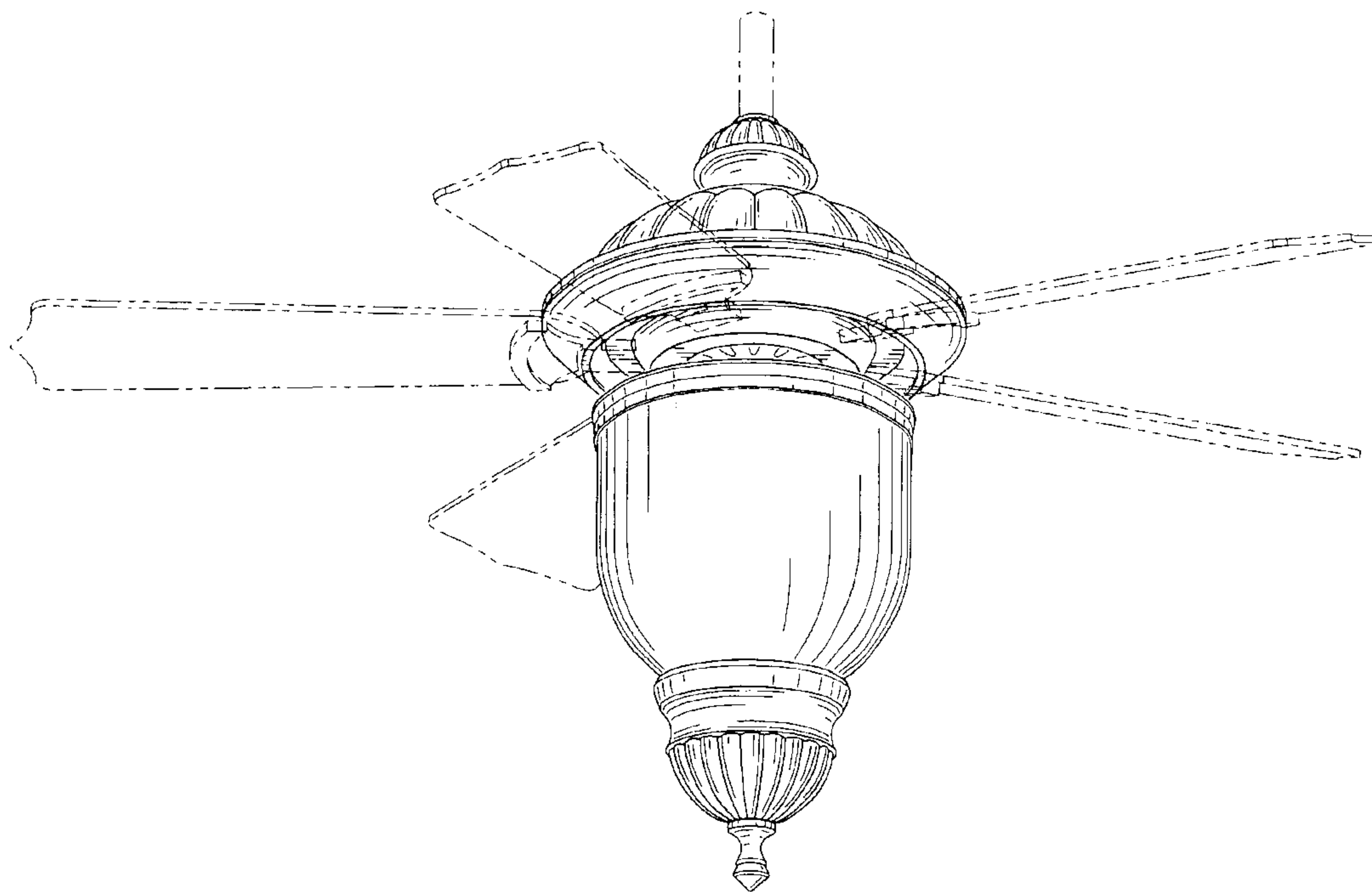


Fig. 1

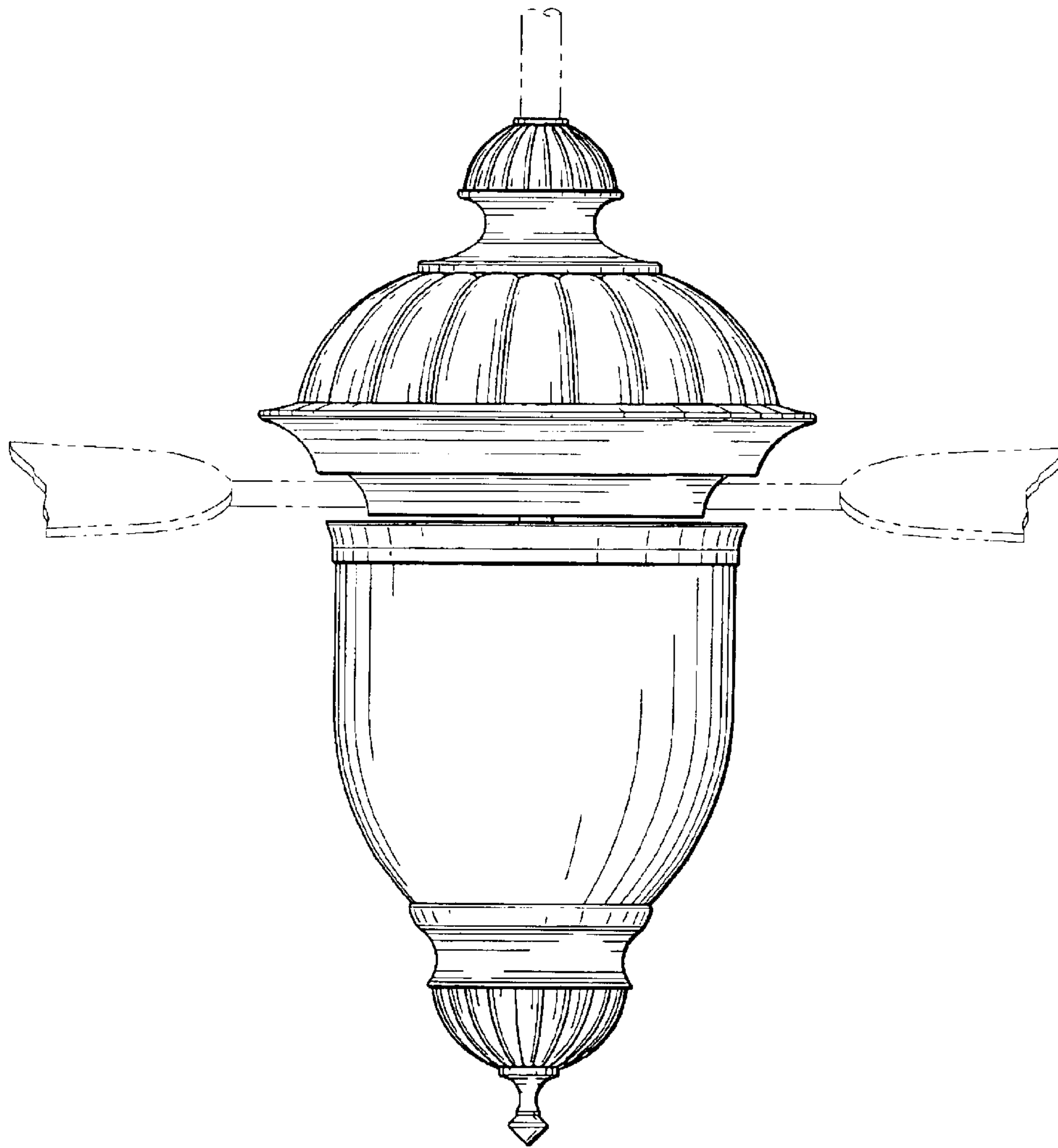


Fig. 2

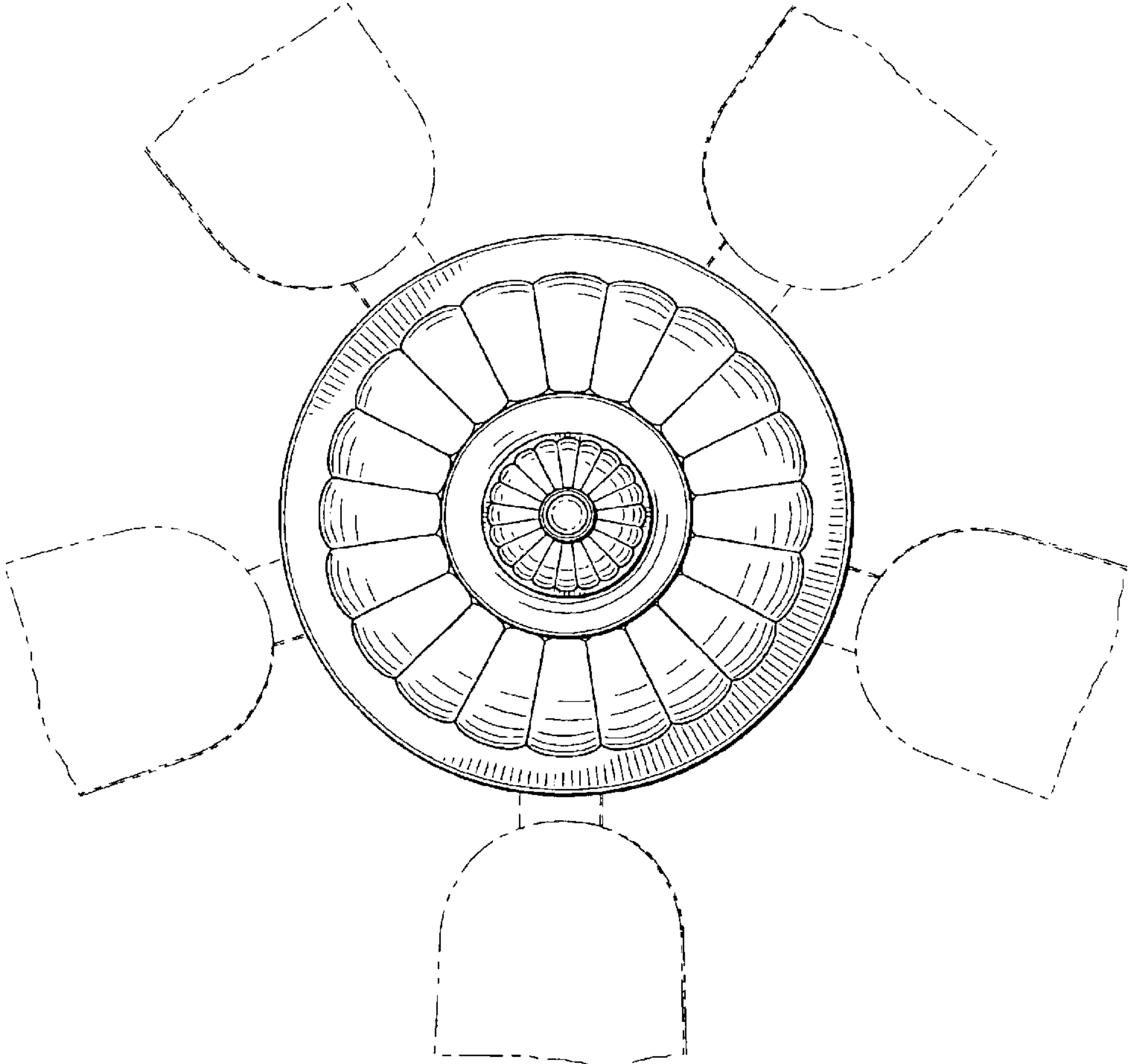


Fig. 3

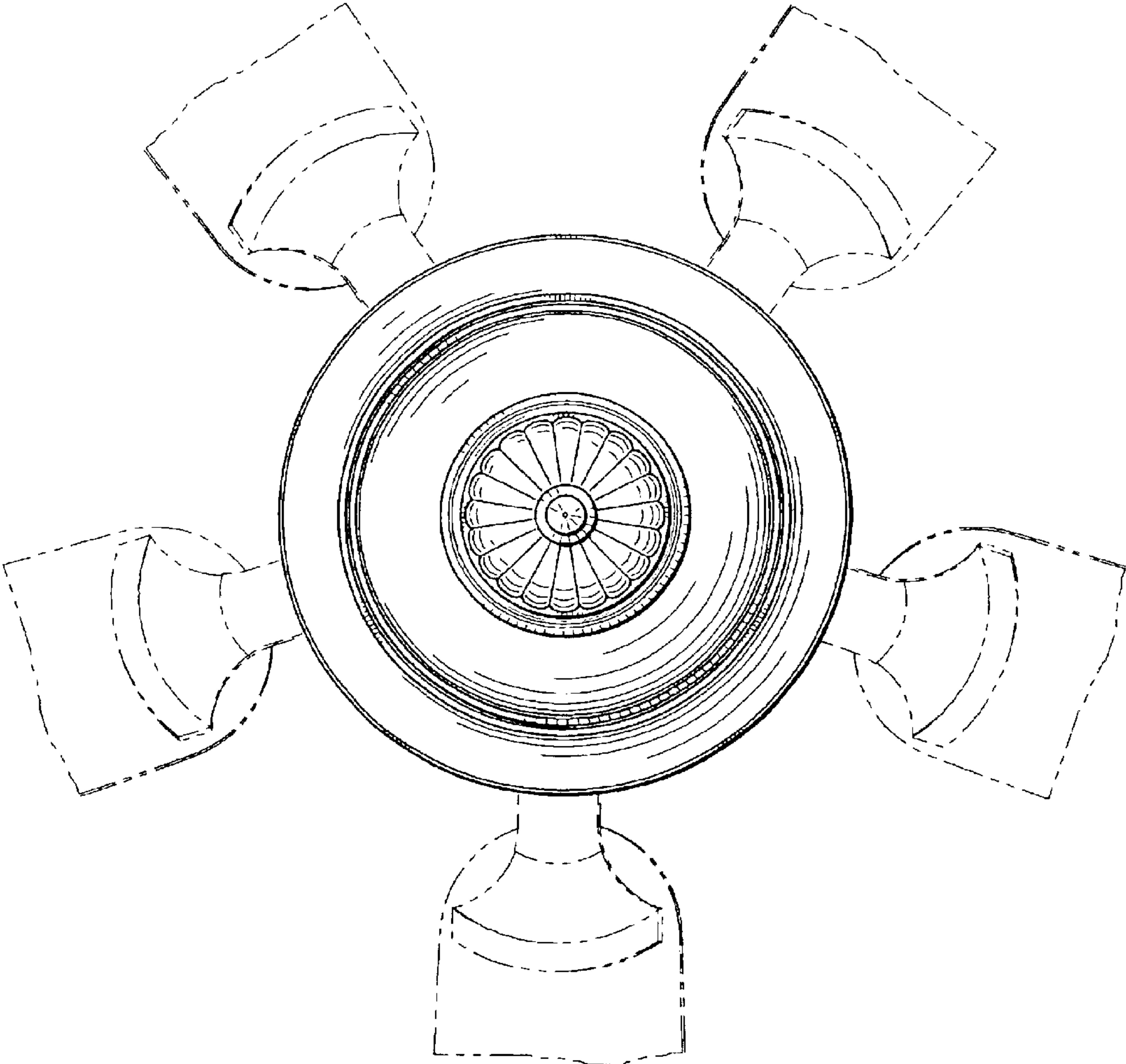


Fig. 4