

US00D507045S

(12) **United States Design Patent**
Battiston

(10) **Patent No.:** **US D507,045 S**

(45) **Date of Patent:** **** Jul. 5, 2005**

(54) **COMMODE CHAIR**

(75) **Inventor:** **Joseph Battiston, Chester, VA (US)**

(73) **Assignee:** **Tubular Fabricators Industry, Inc,**
Petersburg, VA (US)

(**) **Term:** **14 Years**

(21) **Appl. No.:** **29/186,221**

(22) **Filed:** **Jul. 11, 2003**

(51) **LOC (8) Cl.** **23-02**

(52) **U.S. Cl.** **D23/304; D6/335**

(58) **Field of Search** **D23/295-299,**
D23/303, 309, 311-312; 4/312, 449, 460,
478, 480, 483, 234, 242.1, 237-239, 902;
D6/523, 368

(56) **References Cited**

U.S. PATENT DOCUMENTS

3,829,908 A	*	8/1974	Thomas	4/483
D234,769 S	*	4/1975	Thomas	D23/299
D236,345 S	*	8/1975	Thomas	D23/299
D254,684 S	*	4/1980	Boyter	D23/311
D262,486 S	*	12/1981	Boyter	D23/311
4,837,868 A	*	6/1989	Allen	4/480

5,012,986 A	*	5/1991	Needle	D6/523
D449,674 S	*	10/2001	Otte et al.	D23/311
6,305,035 B1	*	10/2001	Morris	4/483

* cited by examiner

Primary Examiner—Robert A. Delehanty

(74) *Attorney, Agent, or Firm*—Williams Mullen, PC;
Thomas F. Bergert

(57) **CLAIM**

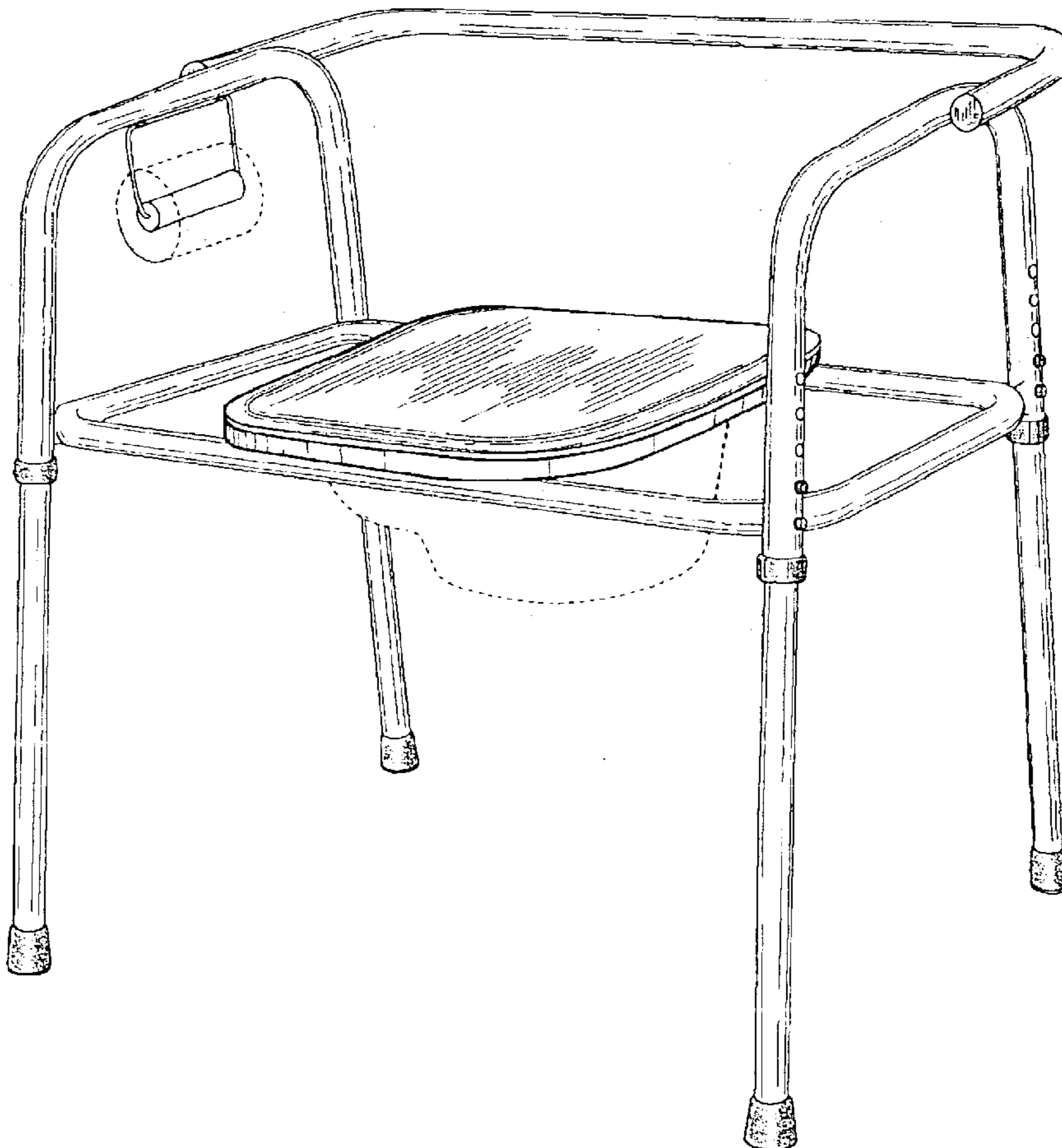
The ornamental design for commode chair, as shown and described.

DESCRIPTION

FIG. 1 is a front perspective view of the commode chair embodying the design;
 FIG. 2 is a front view of the commode chair;
 FIG. 3 is a back view of the commode chair;
 FIG. 4 is a left side elevation of the commode chair;
 FIG. 5 is a right side elevation of the commode chair;
 FIG. 6 is a top view of the commode chair; and,
 FIG. 7 is a bottom view of the commode chair.

The broken lines showing of commode bowl and toilet paper roll is for illustrative purposes only and forms no part of the claimed design.

1 Claim, 6 Drawing Sheets



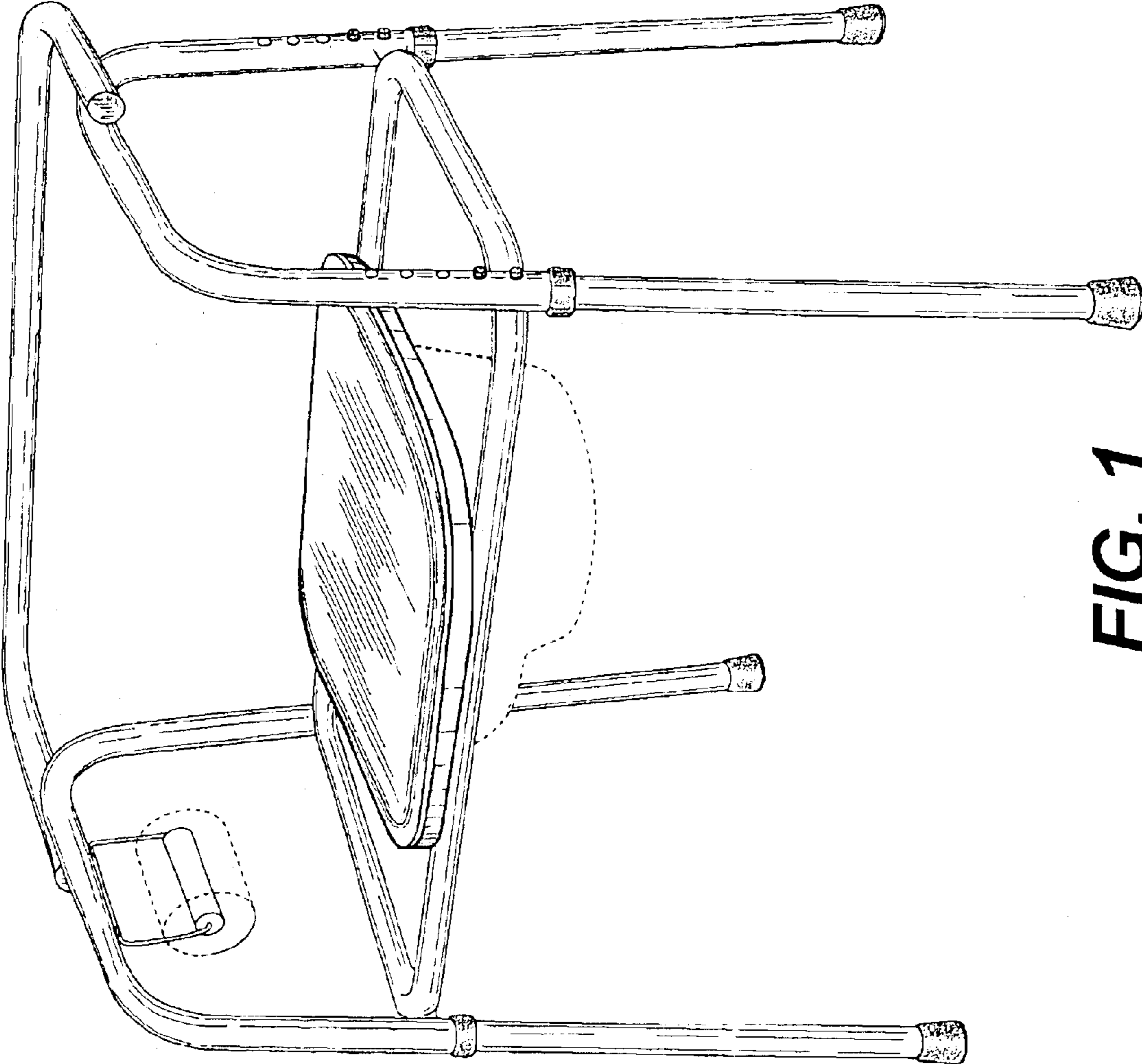


FIG. 1

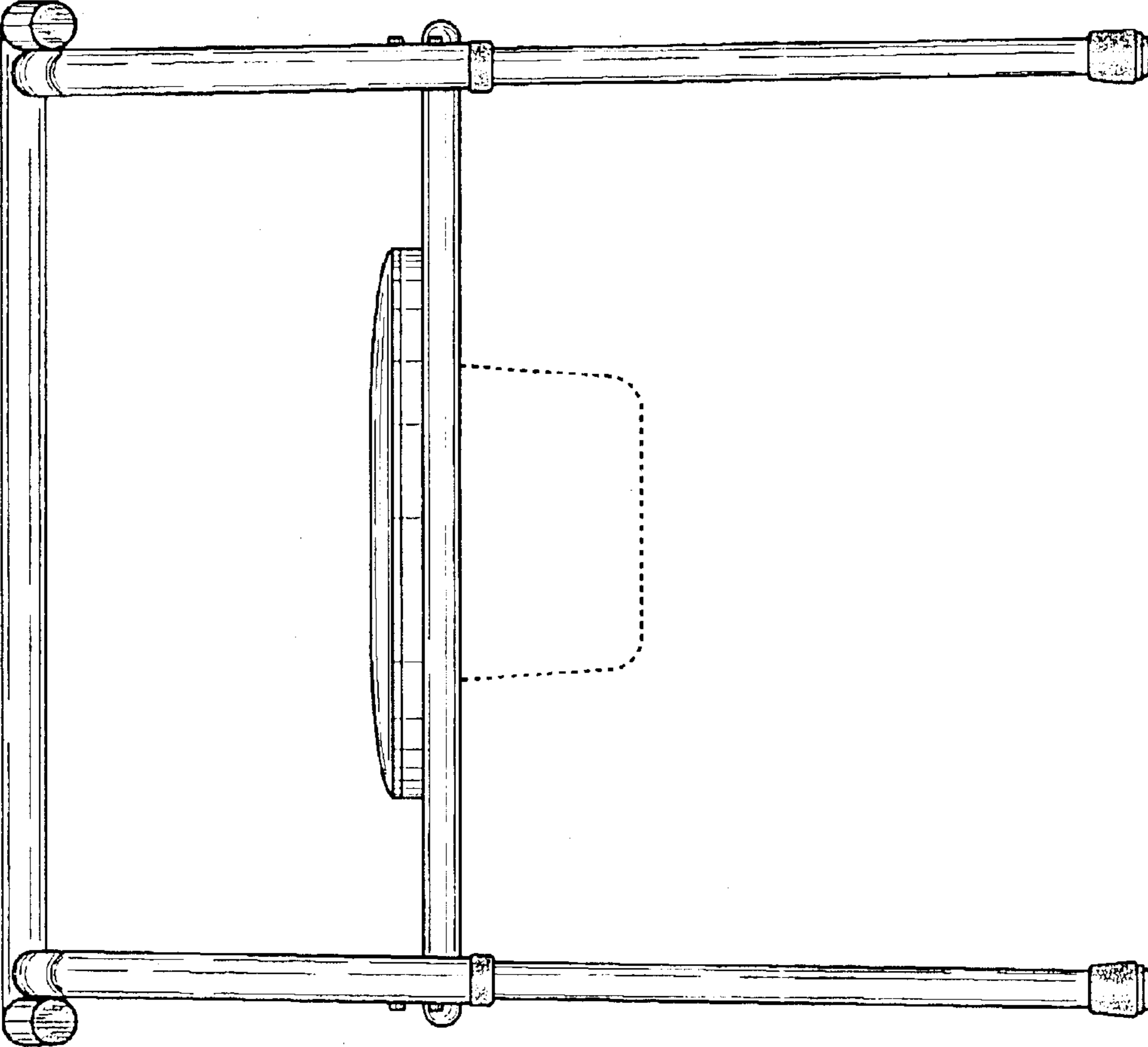


FIG. 2

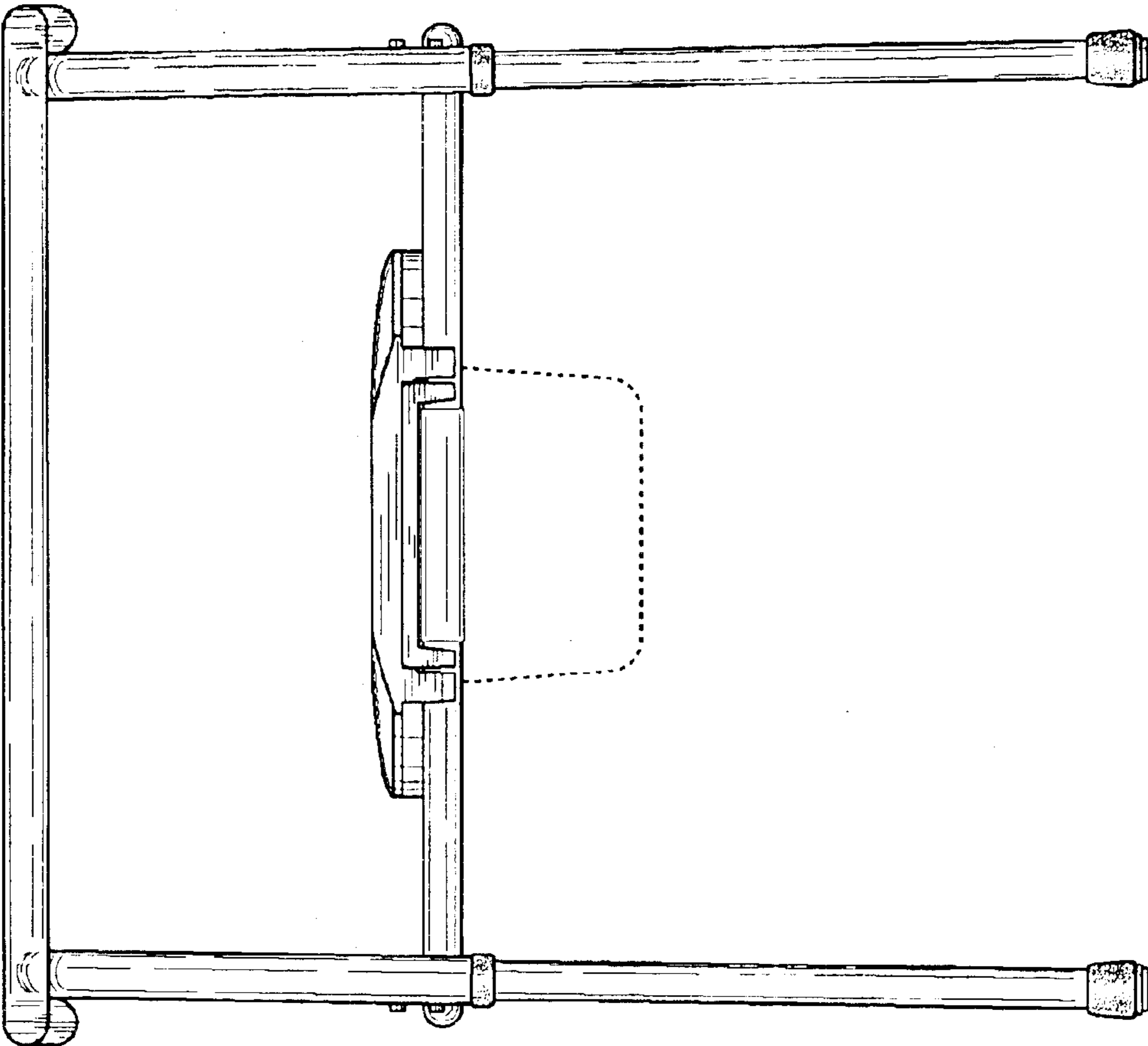


FIG. 3

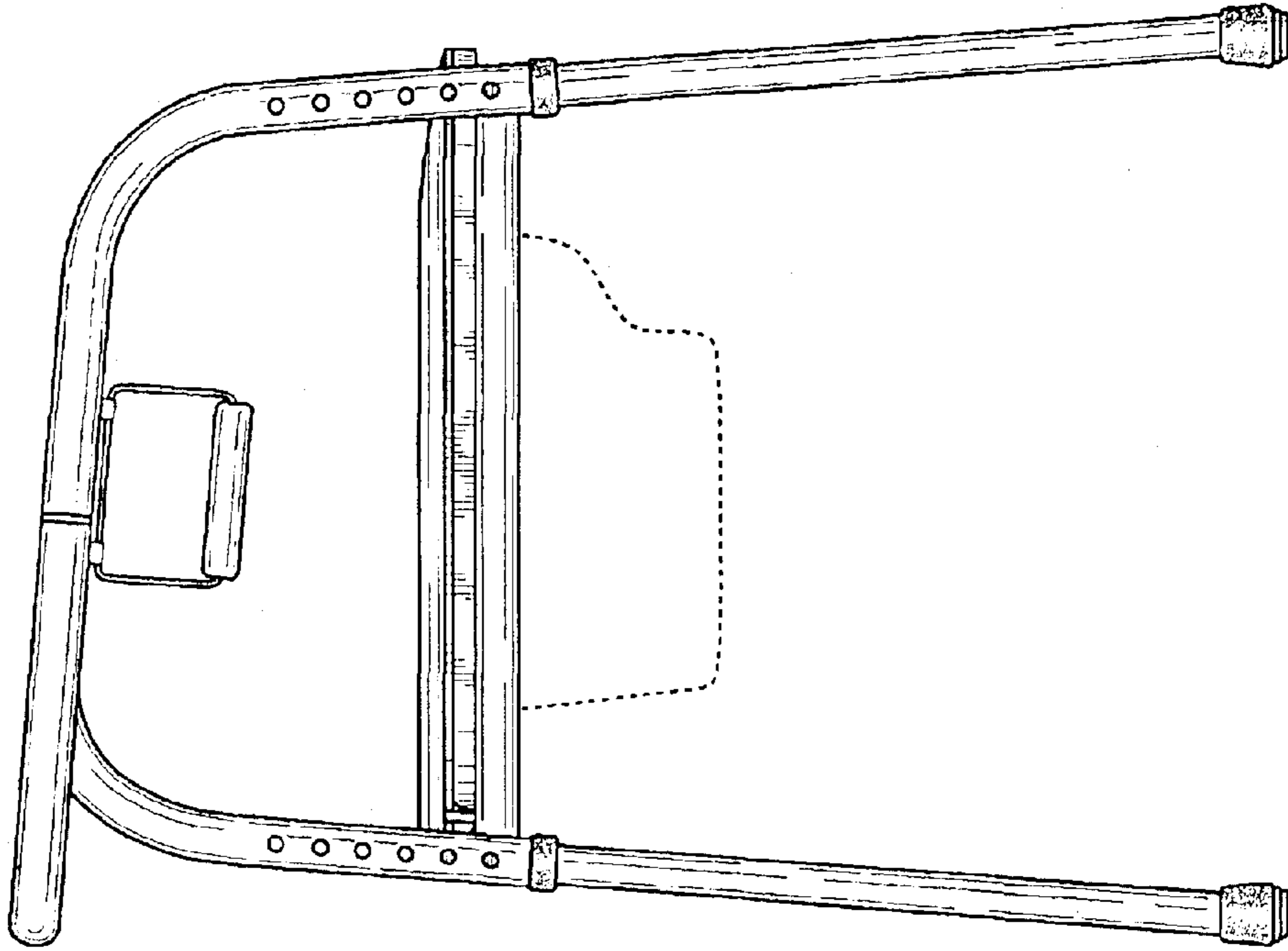


FIG. 5

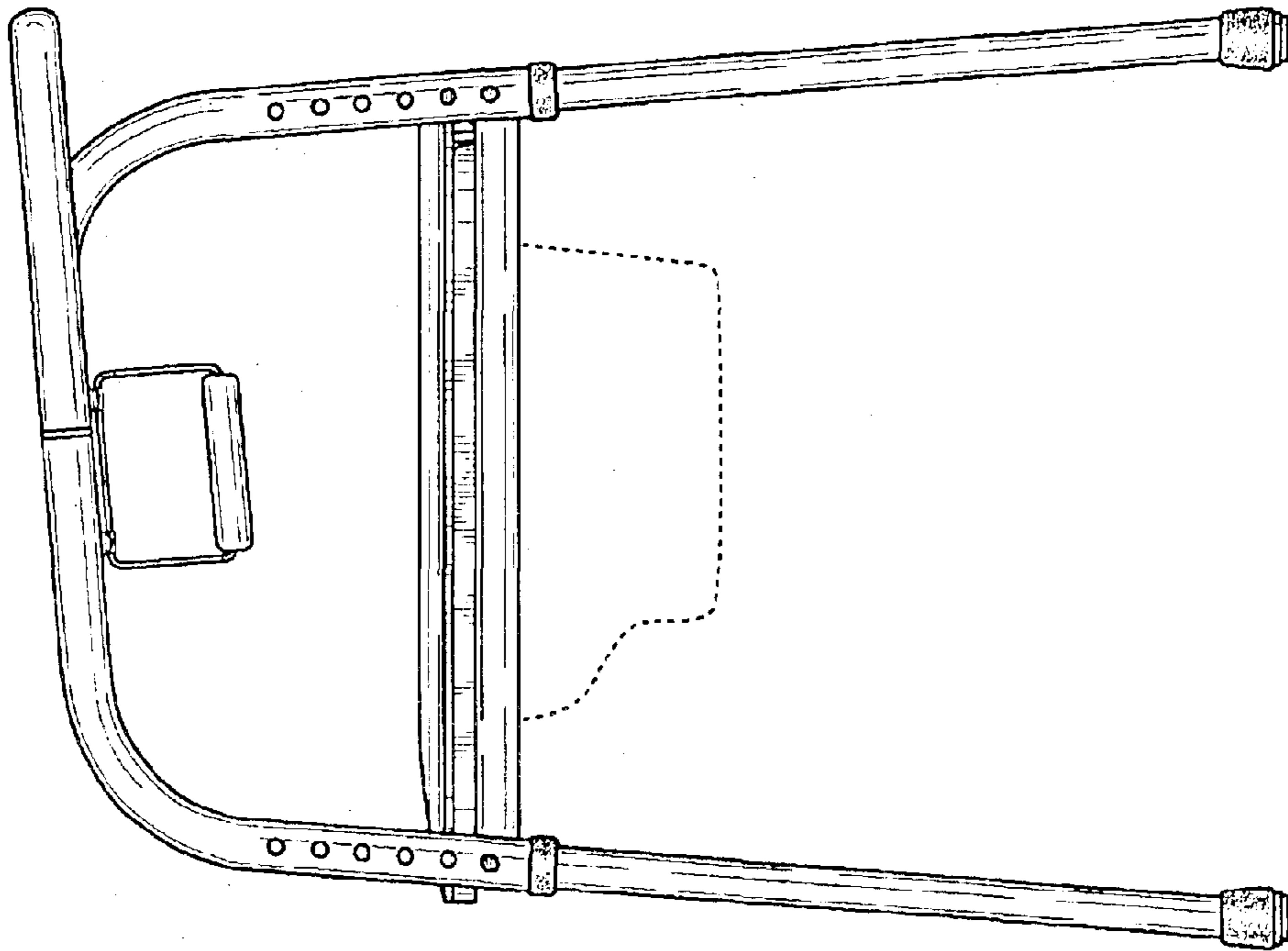


FIG. 4

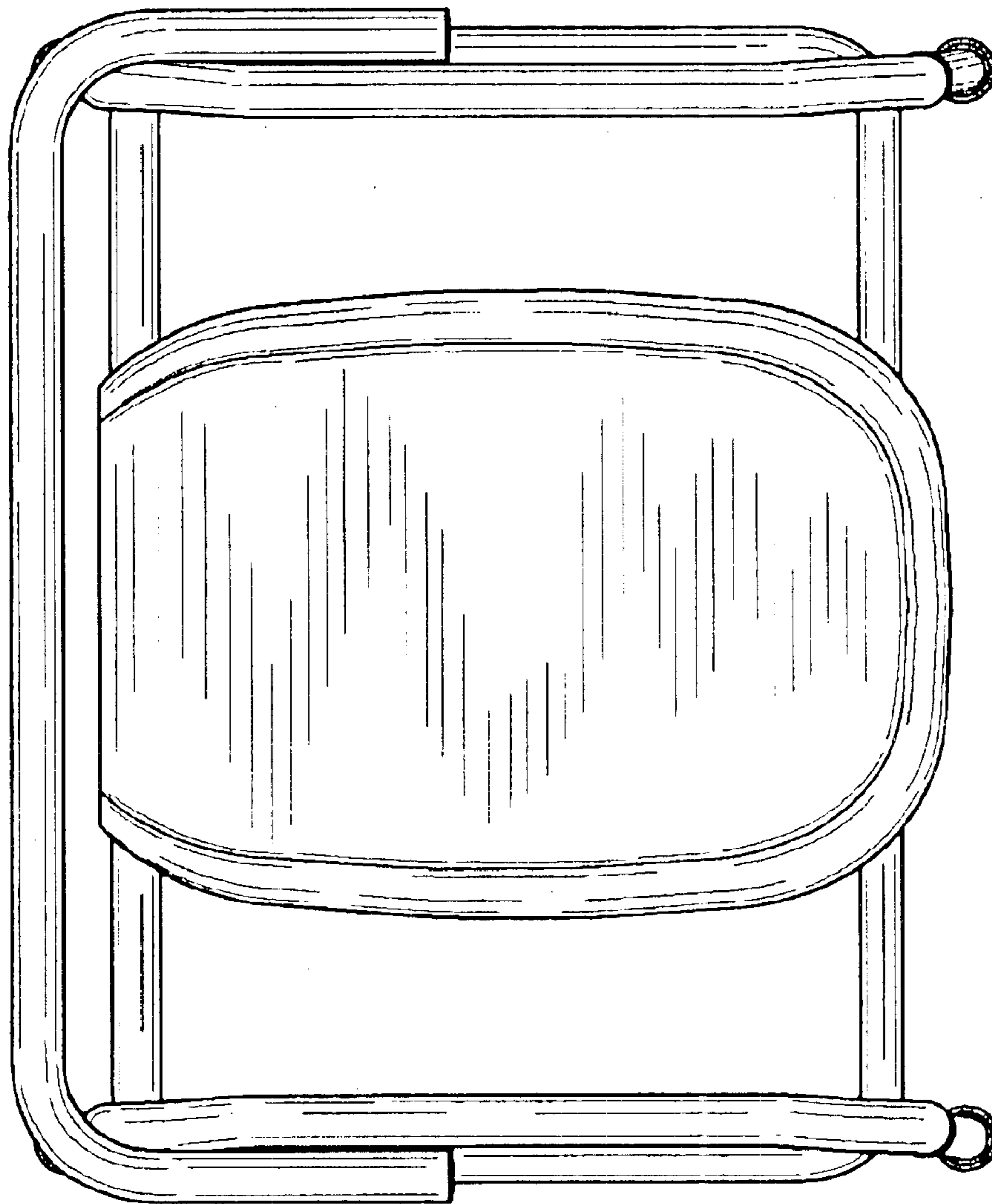


FIG. 6

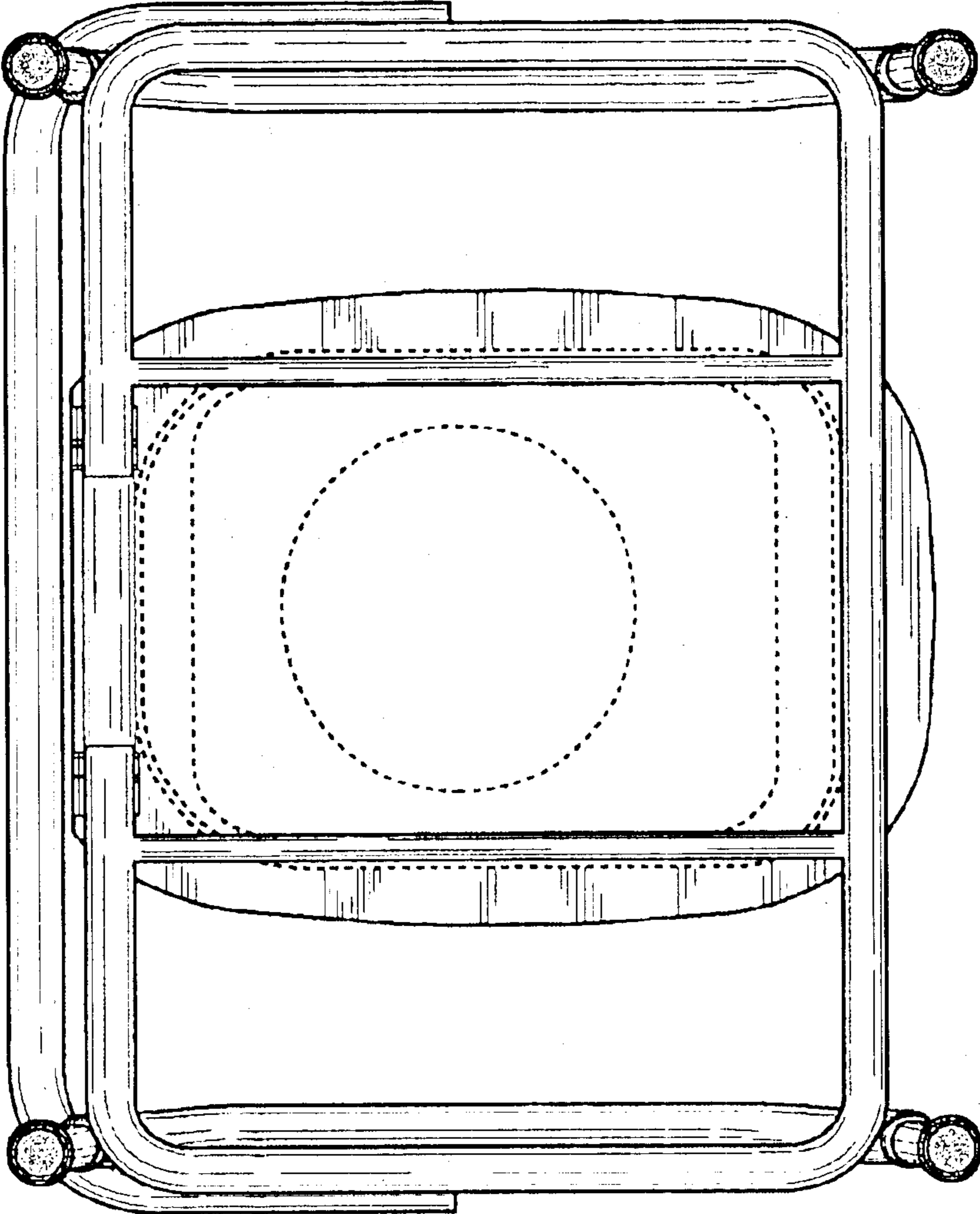


FIG. 7