



US00D507043S

(12) **United States Design Patent**
Ferrer Beltran

(10) **Patent No.: US D507,043 S**
(45) **Date of Patent: ** Jul. 5, 2005**

(54) **WASHBASIN**

(75) **Inventor: Jose M. Ferrer Beltran, Bonrepos (ES)**

(73) **Assignee: Sonia, S.A. (ES)**

(**) **Term: 14 Years**

(21) **Appl. No.: 29/207,195**

(22) **Filed: Jun. 9, 2004**

(51) **LOC (8) Cl. 23-02**

(52) **U.S. Cl. D23/293.1**

(58) **Field of Search D23/270-273,
D23/284-292, 293.1, 303, 308; 4/662, 619,
624, 638, 643, 661, 630-631, 637**

(56) **References Cited**

U.S. PATENT DOCUMENTS

D391,353 S * 2/1998 McKeone D23/284

* cited by examiner

Primary Examiner—Robert A. Delehanty
(74) *Attorney, Agent, or Firm*—Lackenbach Siegel, LLP

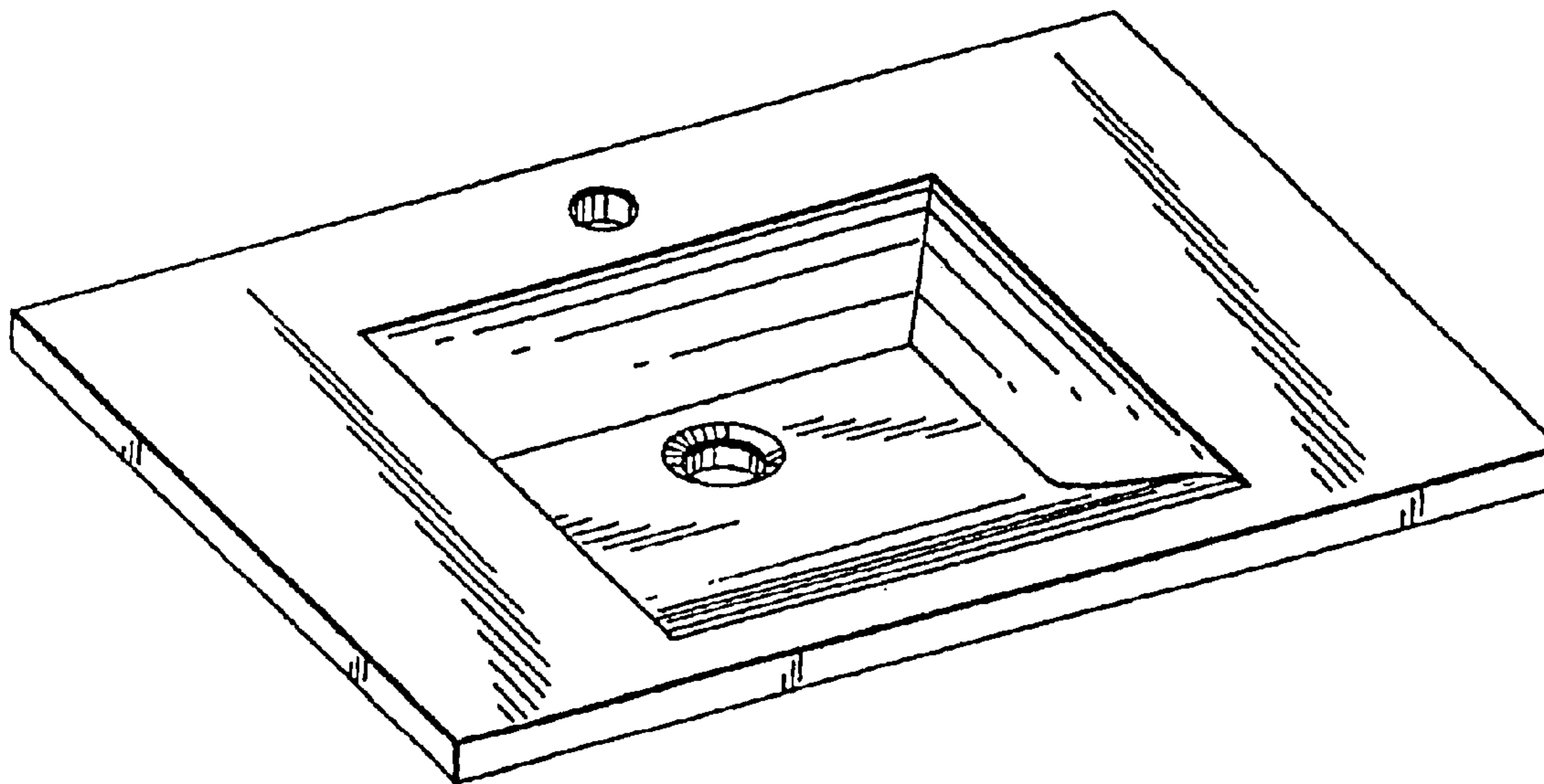
(57) **CLAIM**

The ornamental design for the washbasin, as shown and described.

DESCRIPTION

FIG. 1 is a front perspective view of the washbasin;
FIG. 2 is a top plan view of the washbasin of FIG. 1;
FIG. 3 is affront elevation view of the washbasin of FIG. 1;
and
FIG. 4 is a side elevational view of the washbasin of FIG. 2;
FIG. 5 is a rear elevational view of the washbasin of FIG. 1;
and,
FIG. 6 is a bottom plan view of the washbasin of FIG. 1.

1 Claim, 3 Drawing Sheets



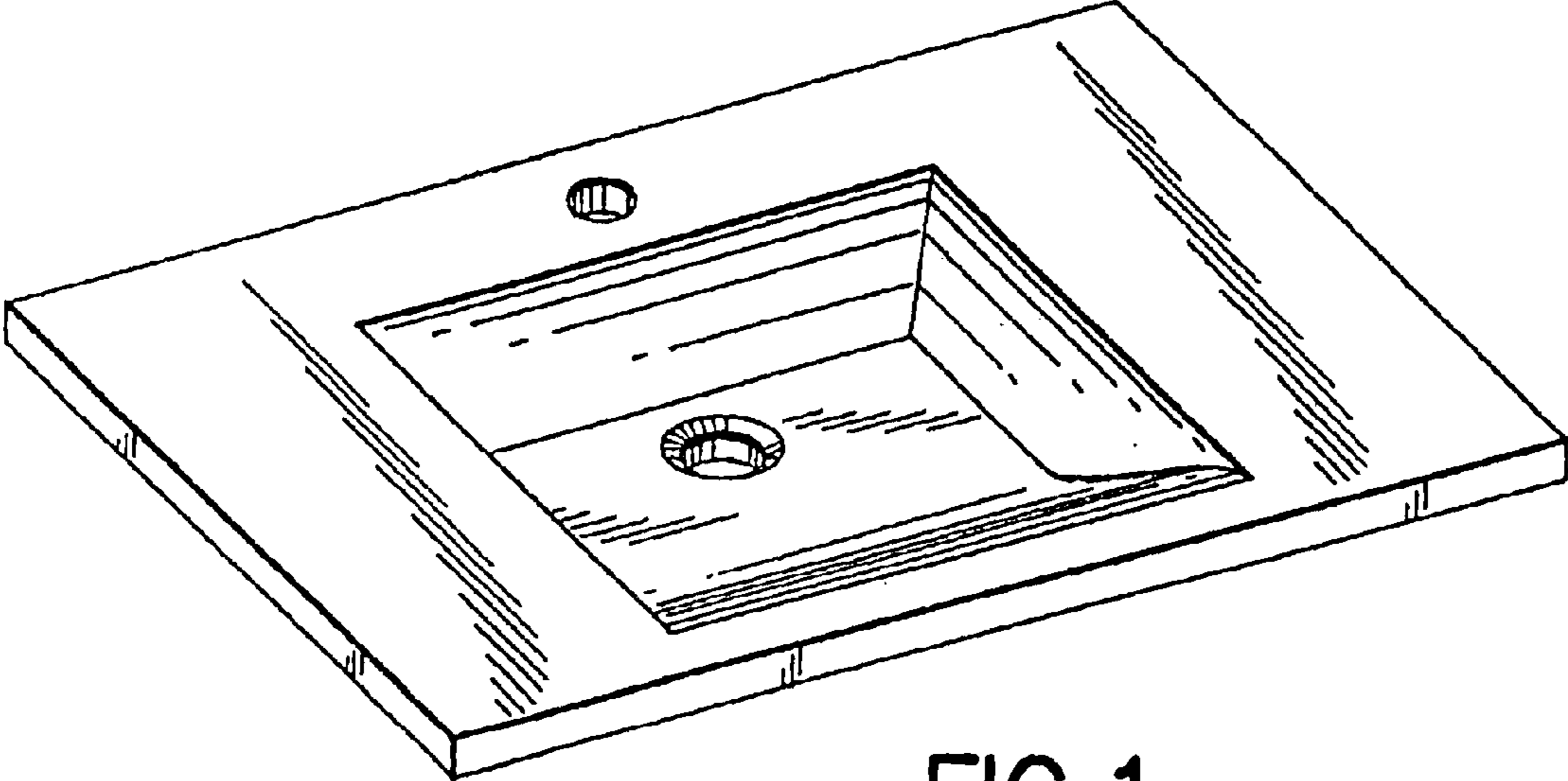


FIG. 1

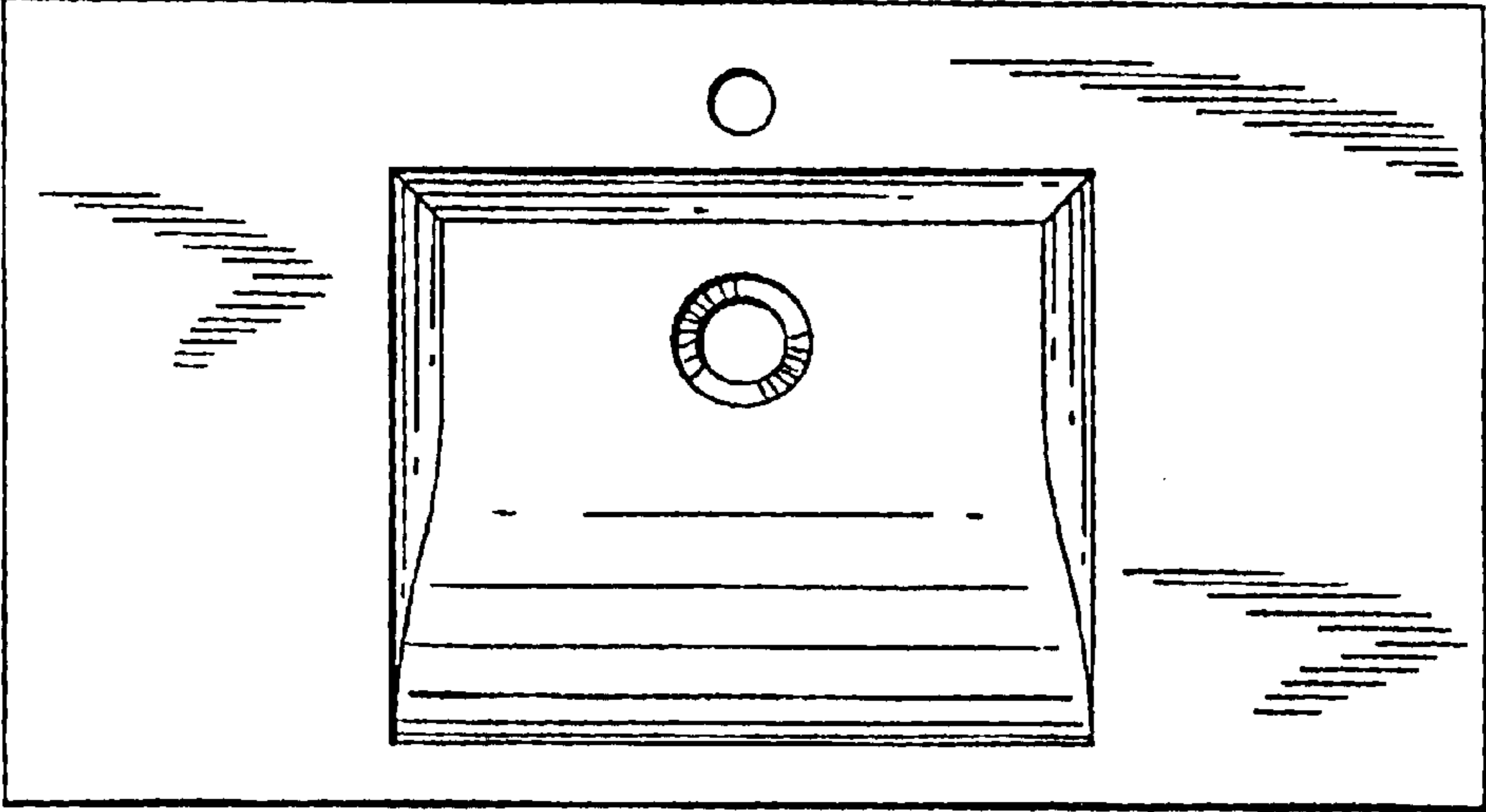


FIG. 2



FIG. 3

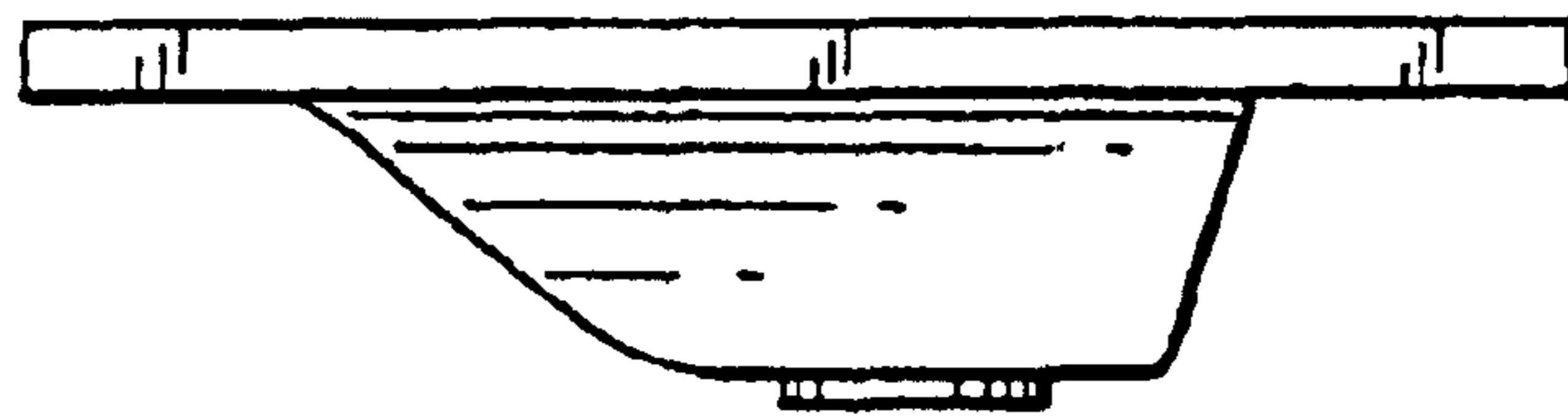


FIG. 4

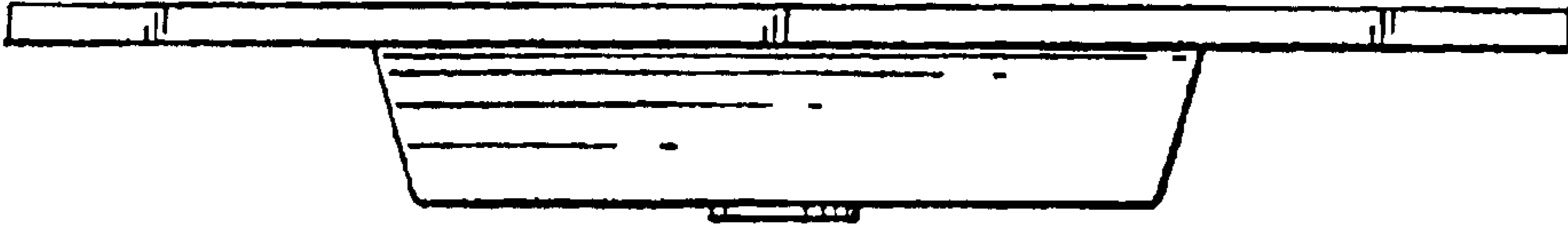


FIG. 5

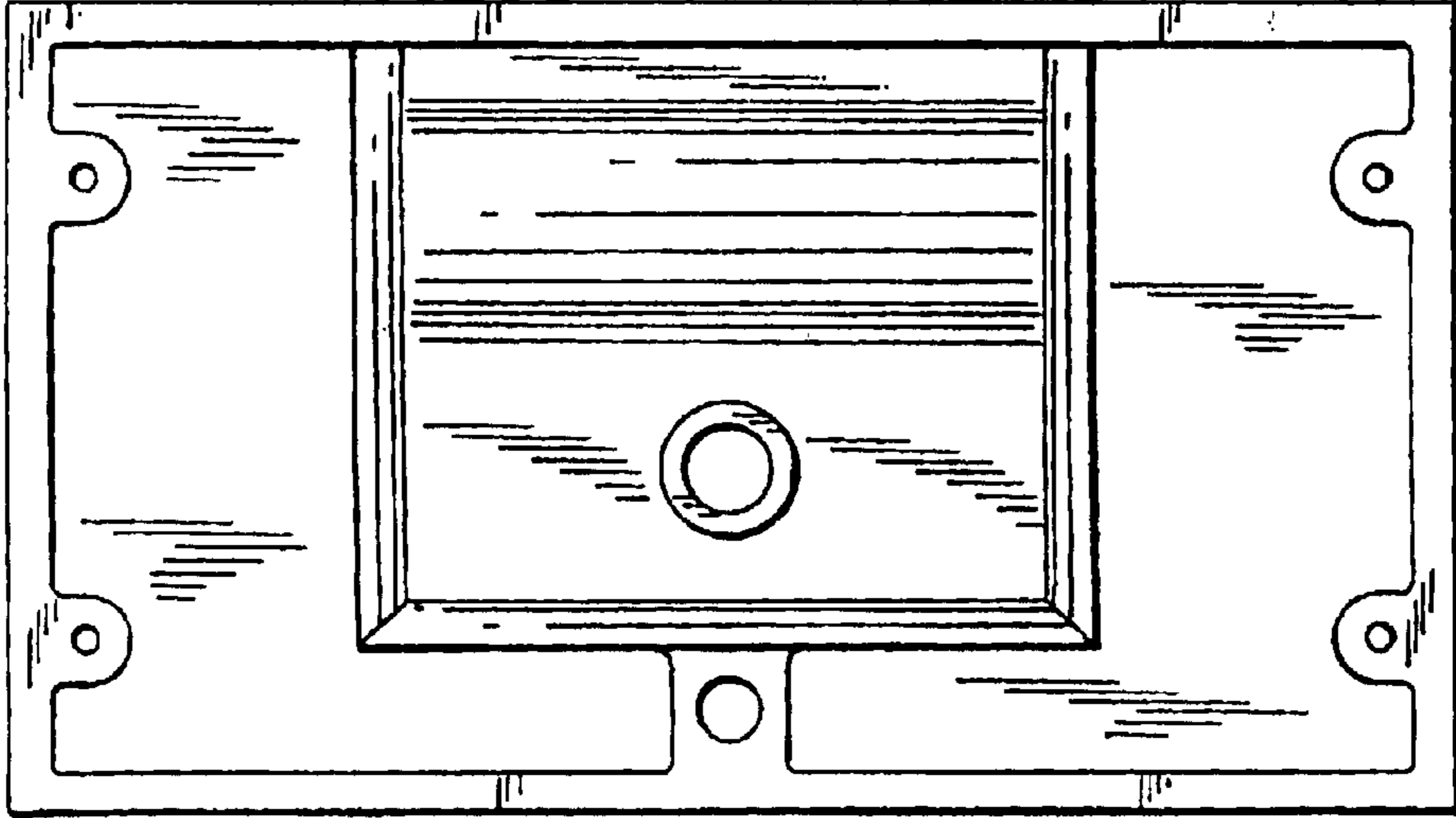


FIG. 6