



US00D507042S

(12) **United States Design Patent**
Sutopo

(10) **Patent No.:** **US D507,042 S**
(45) **Date of Patent:** **** Jul. 5, 2005**

(54) **LAVATORY**

D487,502 S 3/2004 Ruxchaivan D23/293.1

(75) **Inventor:** **Elise A. Sutopo**, Sheboygan, WI (US)

(73) **Assignee:** **Kohler Co.**, Kohler, WI (US)

(**) **Term:** **14 Years**

(21) **Appl. No.:** **29/206,329**

(22) **Filed:** **May 28, 2004**

Related U.S. Application Data

(62) Division of application No. 29/179,483, filed on Apr. 10, 2003, now Pat. No. Des. 498,293.

(51) **LOC (8) Cl.** **23-02**

(52) **U.S. Cl.** **D23/293.1**

(58) **Field of Search** D23/271, 273,
D23/284-286, 293.1, 303, 308; 4/630-642,
661, 663-665, 619, 645-646, 650-652;
D2/289-292

(56) **References Cited**

U.S. PATENT DOCUMENTS

D340,970 S	11/1993	Kohler, Jr. et al.	D23/294
D361,372 S	8/1995	Enthoven	D23/293.1
D384,404 S	9/1997	Kergoet	D23/284
D386,566 S	11/1997	Zankow	D23/284
D399,935 S	10/1998	Nagato	D23/293.1
D400,237 S	10/1998	Millard et al.	D23/293.1
D426,623 S	6/2000	Svendson	D23/284
D443,049 S	5/2001	Kuo	D23/293.1
D446,288 S	8/2001	McKeone et al.	D23/293.1
6,353,944 B1	3/2002	Clayton	4/651

OTHER PUBLICATIONS

1999 American Standard catalog ad showing a "Morning" lavatory.

2001 American Standard catalog ad showing a "Crescendo" lavatory.

Undated Jacob Delafon catalog ad showing a "Ronde" lavatory.

Undated Kohler catalog ad, p. 6.25, showing a "Folio" lavatory.

Primary Examiner—Robert A. Delehanty

(74) *Attorney, Agent, or Firm*—Quarles & Brady LLP

(57) **CLAIM**

The ornamental design for a lavatory, as shown and described.

DESCRIPTION

In a preferred embodiment, the nature of this product is as a plumbing fixture in the form of a lavatory which is primarily useful for washing the body parts of humans.

FIG. 1 is a right, top, front perspective view of a lavatory embodying my new design;

FIG. 2 is a top plan view thereof;

FIG. 3 is a bottom plan view thereof; and,

FIG. 4 is an elevational view depicting the front, rear, right side, and left side thereof.

The broken line representations of holes in FIG. 3 are for the purpose of illustration only, and form no part of the claimed design.

1 Claim, 2 Drawing Sheets

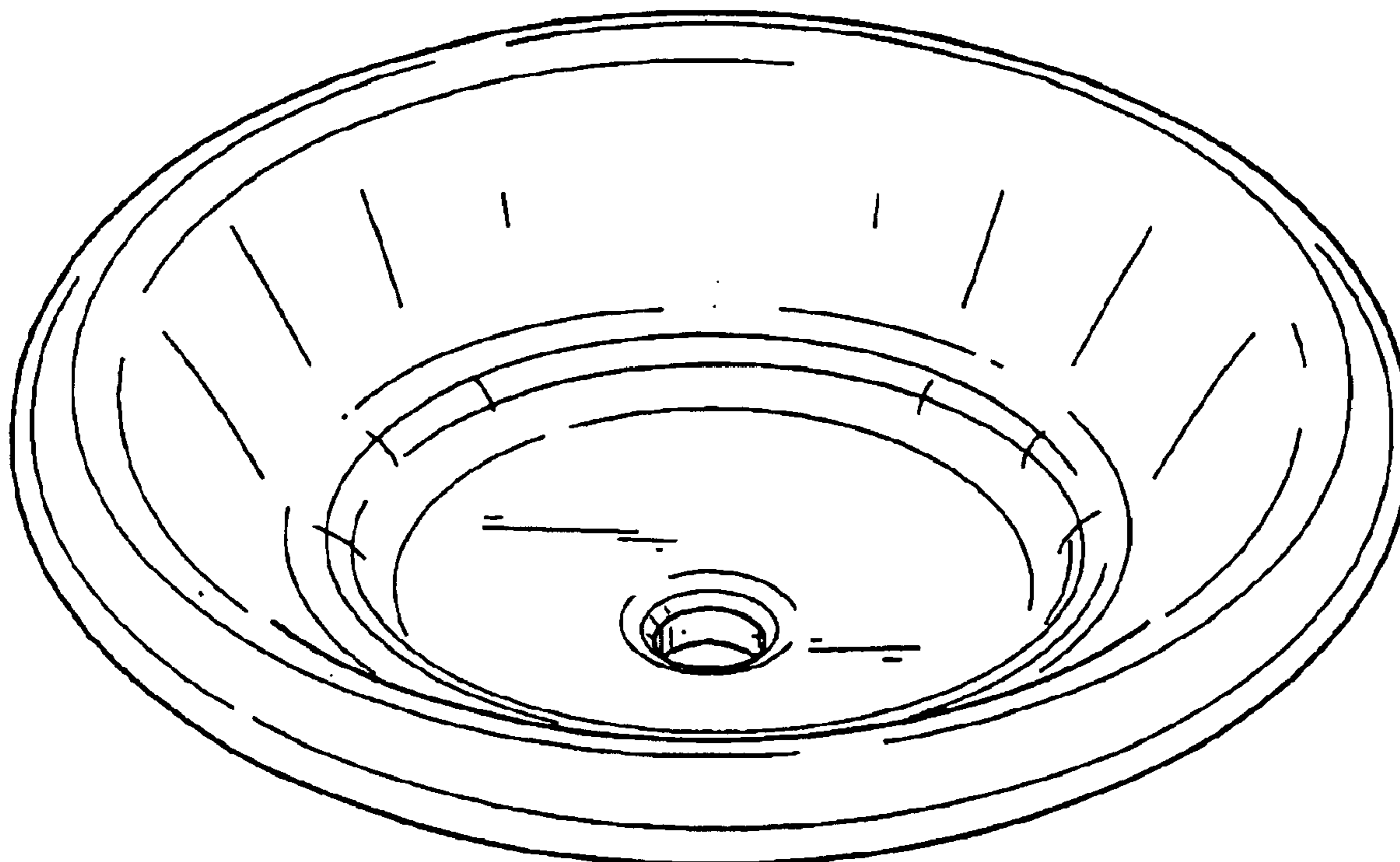


FIG. 1

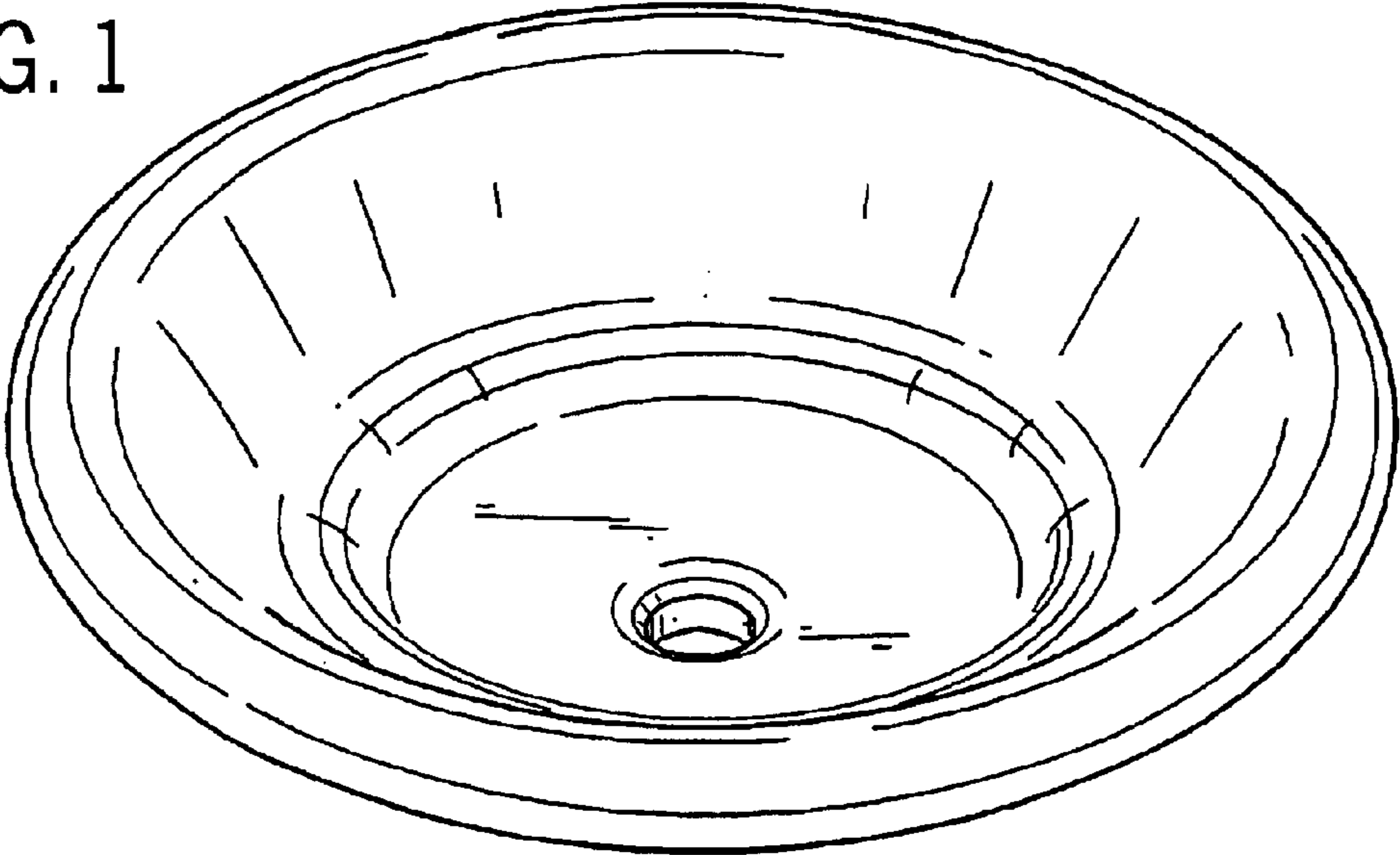


FIG. 2

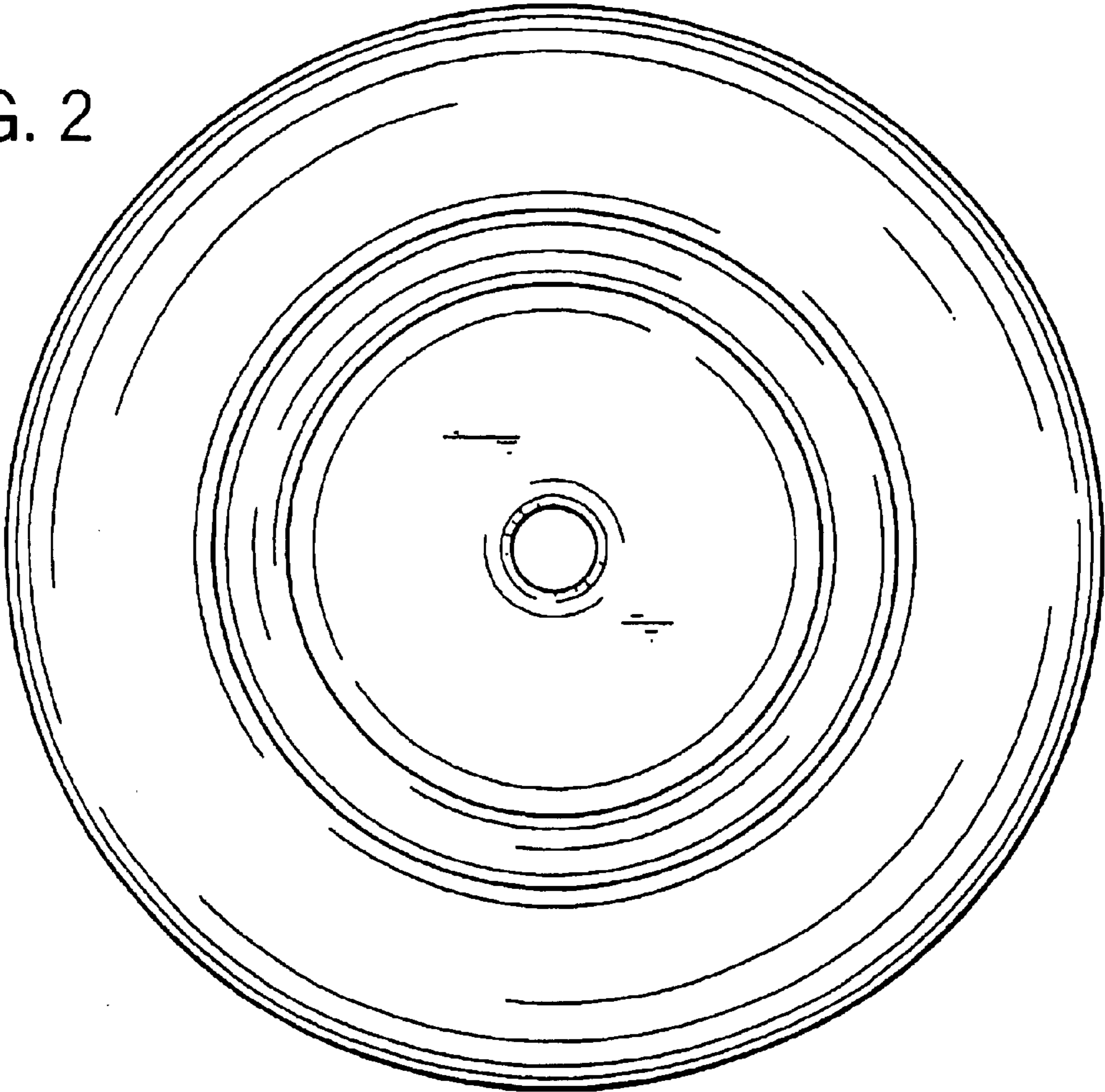


FIG. 3

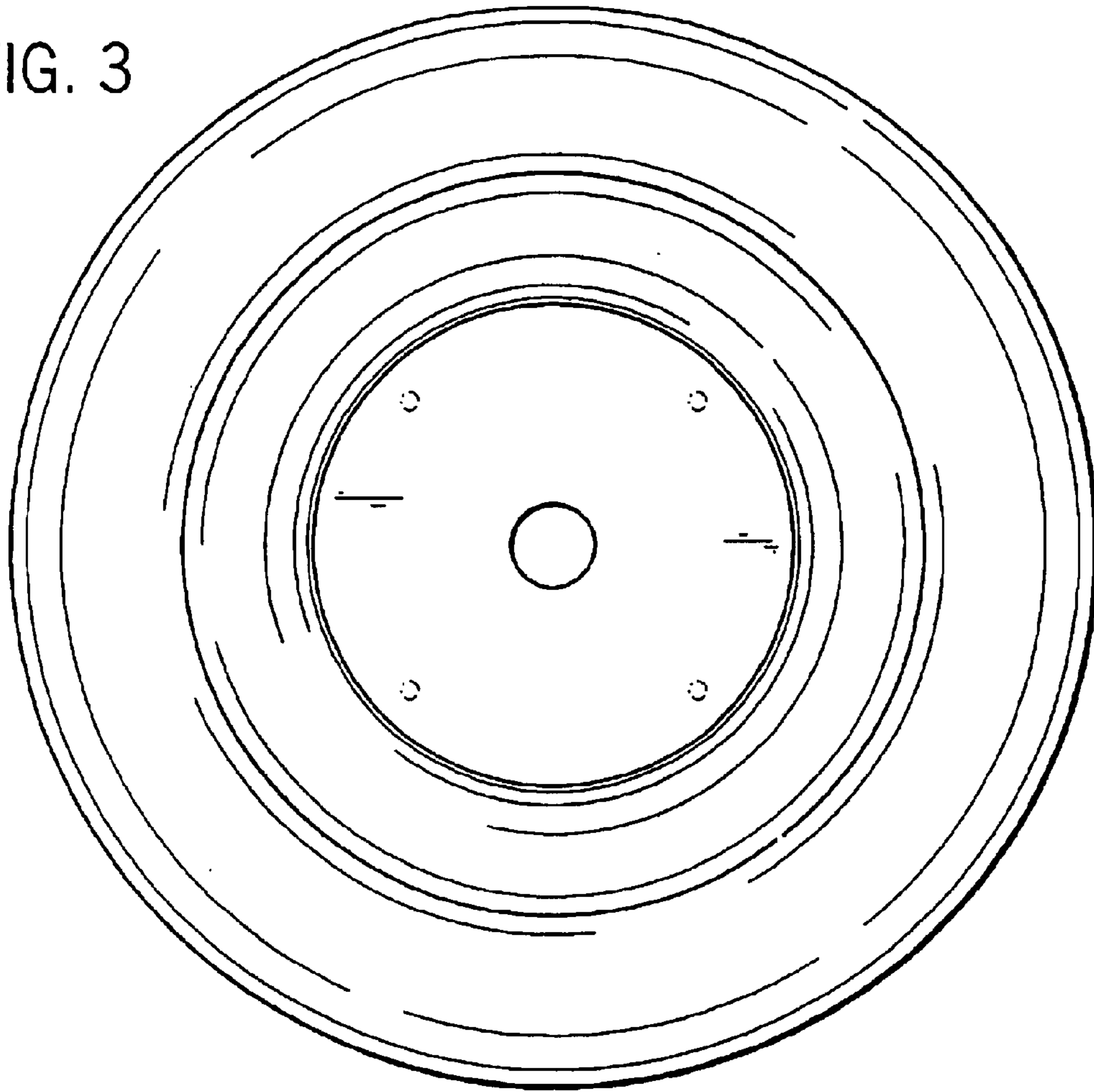


FIG. 4

