

US00D507041S

(12) **United States Design Patent** (10) **Patent No.:** **US D507,041 S**  
**Douglass et al.** (45) **Date of Patent:** **\*\* Jul. 5, 2005**

(54) **SINK**

(75) **Inventors:** **John Michael Douglass**, Algonquin, IL (US); **Walter J. Moran**, Batavia, IL (US); **Peter Wozniczka**, Arlington Heights, IL (US)

(73) **Assignee:** **Elkay Manufacturing Company**, Oak Brook, IL (US)

(\*\*) **Term:** **14 Years**

(21) **Appl. No.:** **29/202,174**

(22) **Filed:** **Mar. 26, 2004**

(51) **LOC (8) Cl.** ..... **23-02**

(52) **U.S. Cl.** ..... **D23/291**

(58) **Field of Search** ..... D23/270-273, D23/284-286, 293.1, 303, 308, 289, 292, 290-291; 4/661-666, 619, 624, 630, 519, 638, 643, 515

(56) **References Cited**

**U.S. PATENT DOCUMENTS**

|                 |   |         |          |       |       |
|-----------------|---|---------|----------|-------|-------|
| 743,447 A       | * | 11/1903 | Cassell  | ..... | 4/638 |
| 5,522,096 A     | * | 6/1996  | Brown    | ..... | 4/665 |
| 2004/0093667 A1 | * | 5/2004  | Erickson | ..... | 4/631 |

\* cited by examiner

*Primary Examiner*—Robert A. Delehanty  
(74) *Attorney, Agent, or Firm*—Leydig, Voit & Mayer, Ltd.

(57) **CLAIM**

The ornamental design for a sink, as shown and described.

**DESCRIPTION**

FIG. 1 is a perspective view taken from the top, front and right side of a sink, showing our new design;  
 FIG. 2 is a top plan view of the sink shown in FIG. 1;  
 FIG. 3 is a left side view of the sink shown in FIG. 1;  
 FIG. 4 is a bottom view of the sink shown in FIG. 1;  
 FIG. 5 is a right side view of the sink shown in FIG. 1;  
 FIG. 6 is a rear side view of the sink shown in FIG. 1;  
 FIG. 7 is a front side view of the sink shown in FIG. 1;  
 FIG. 8 is a perspective view of the bottom of the sink shown in FIG. 1;  
 FIG. 9 is a perspective view taken from the top, front and right side of the sink shown in FIG. 1, with a faucet, countertops and a cabinet shown in broken lines;  
 FIG. 10 is a perspective view taken from the top, front and right side of a second embodiment of the sink shown in FIG. 1;  
 FIG. 11 is a top plan view of the sink shown in FIG. 10;  
 FIG. 12 is a right side view of the sink shown in FIG. 10;  
 FIG. 13 is a bottom plan view of the sink shown in FIG. 10;  
 FIG. 14 is a right side view of the sink shown in FIG. 10;  
 FIG. 15 is a rear side view of the sink shown in FIG. 10;  
 FIG. 16 is a front side view of the sink shown in FIG. 10;  
 FIG. 17 is a perspective view of the bottom of the sink shown in FIG. 10; and,  
 FIG. 18 is a perspective view taken from the top, front and right side of the sink shown in FIG. 10, with a faucet, countertops and a cabinet shown in broken lines.  
 The broken lines disclosing faucets, countertops and cabinets are for illustration purposes only and form no part of the claimed design.

**1 Claim, 12 Drawing Sheets**

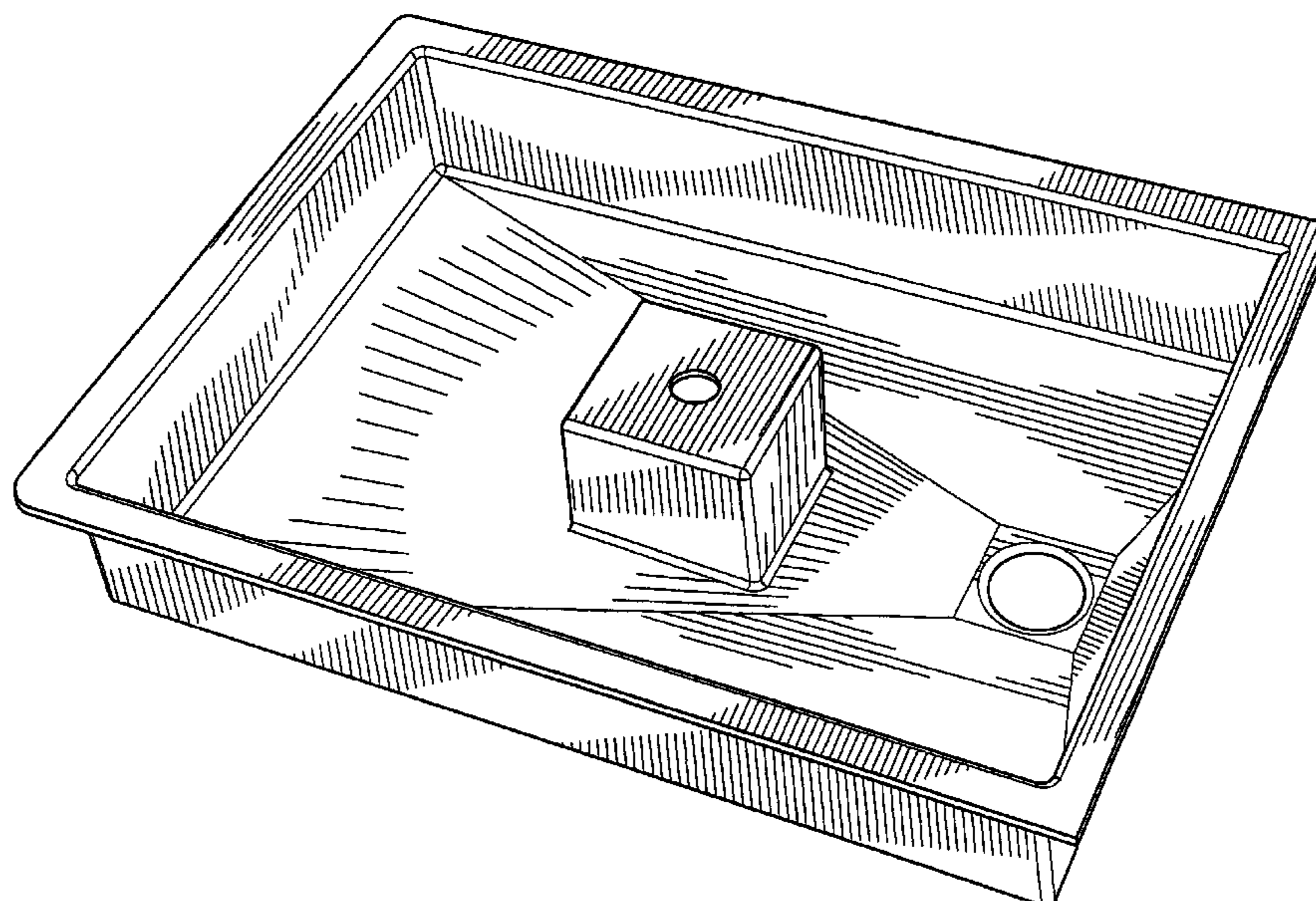


FIG. 1

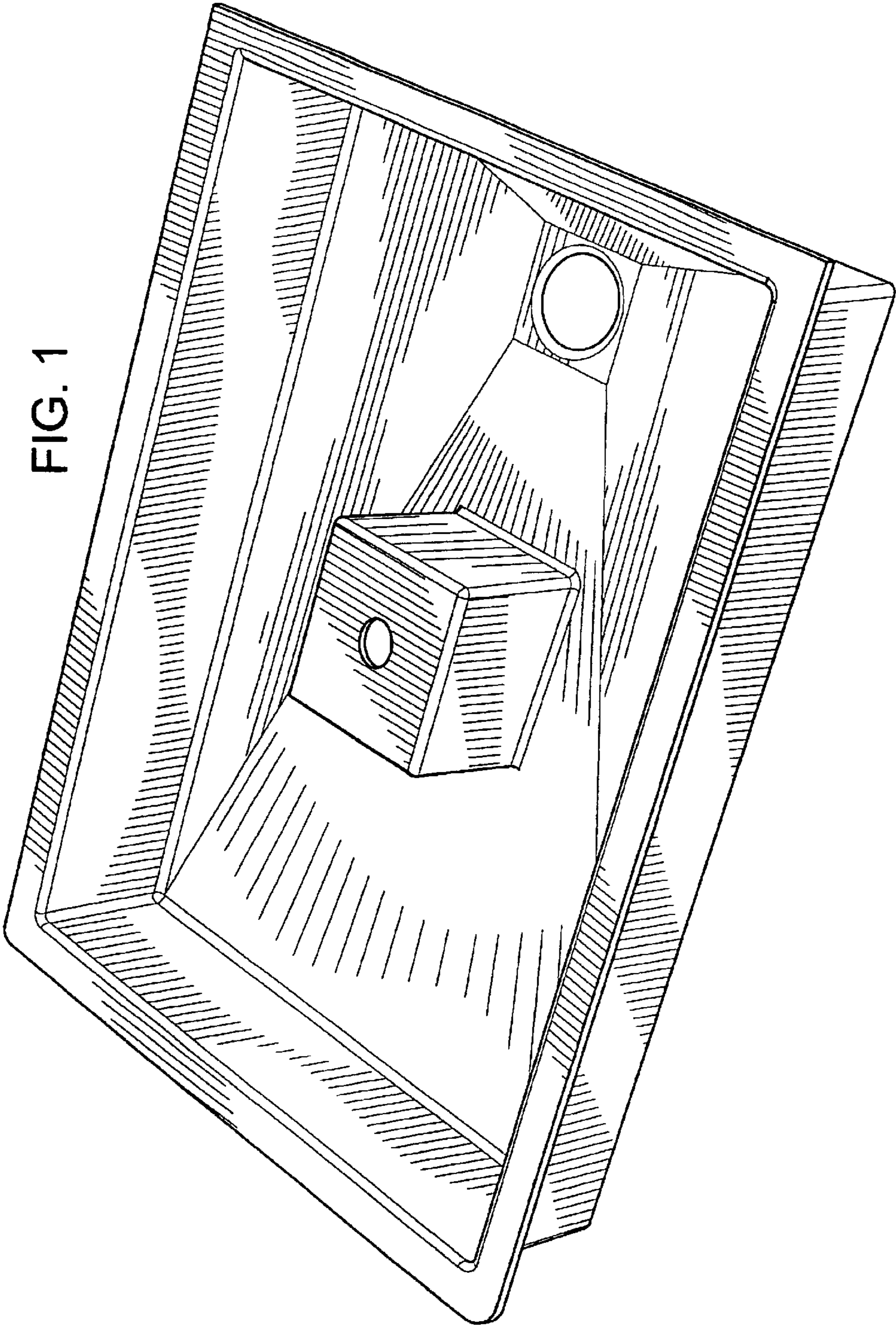


FIG. 2

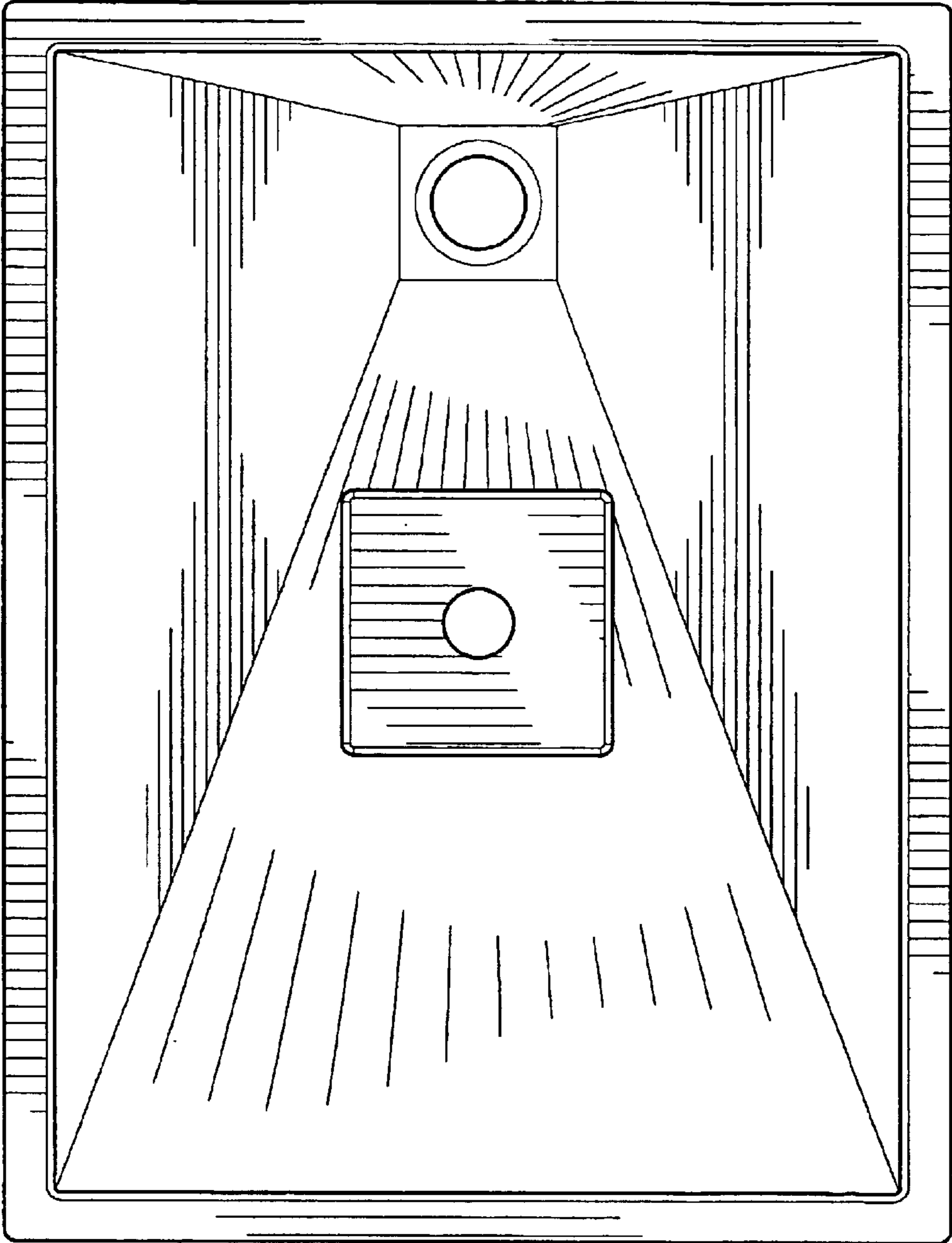


FIG. 3

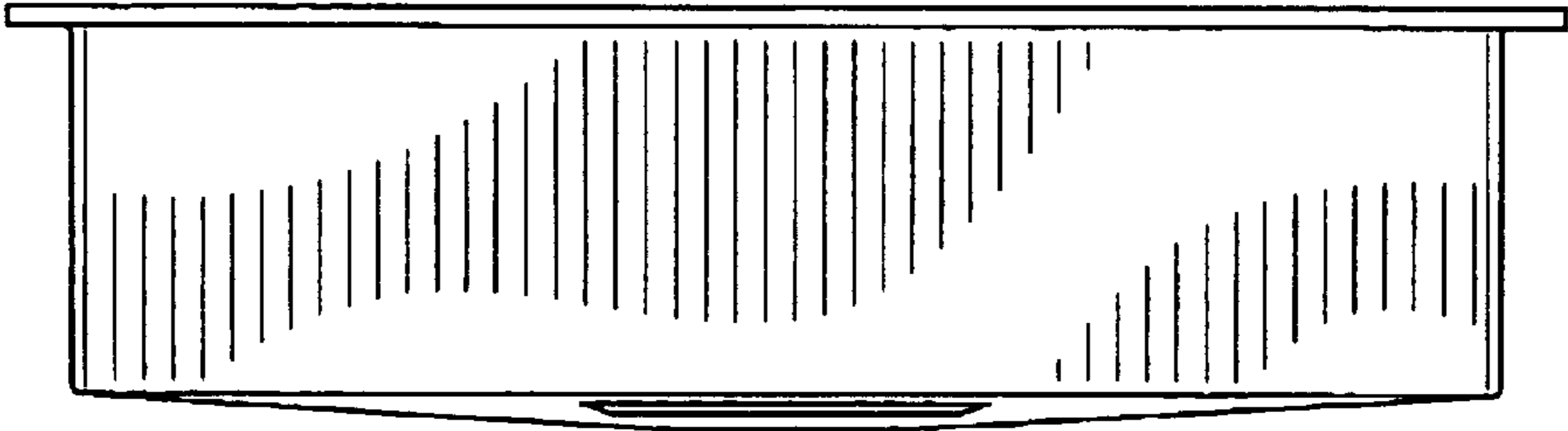




FIG. 4

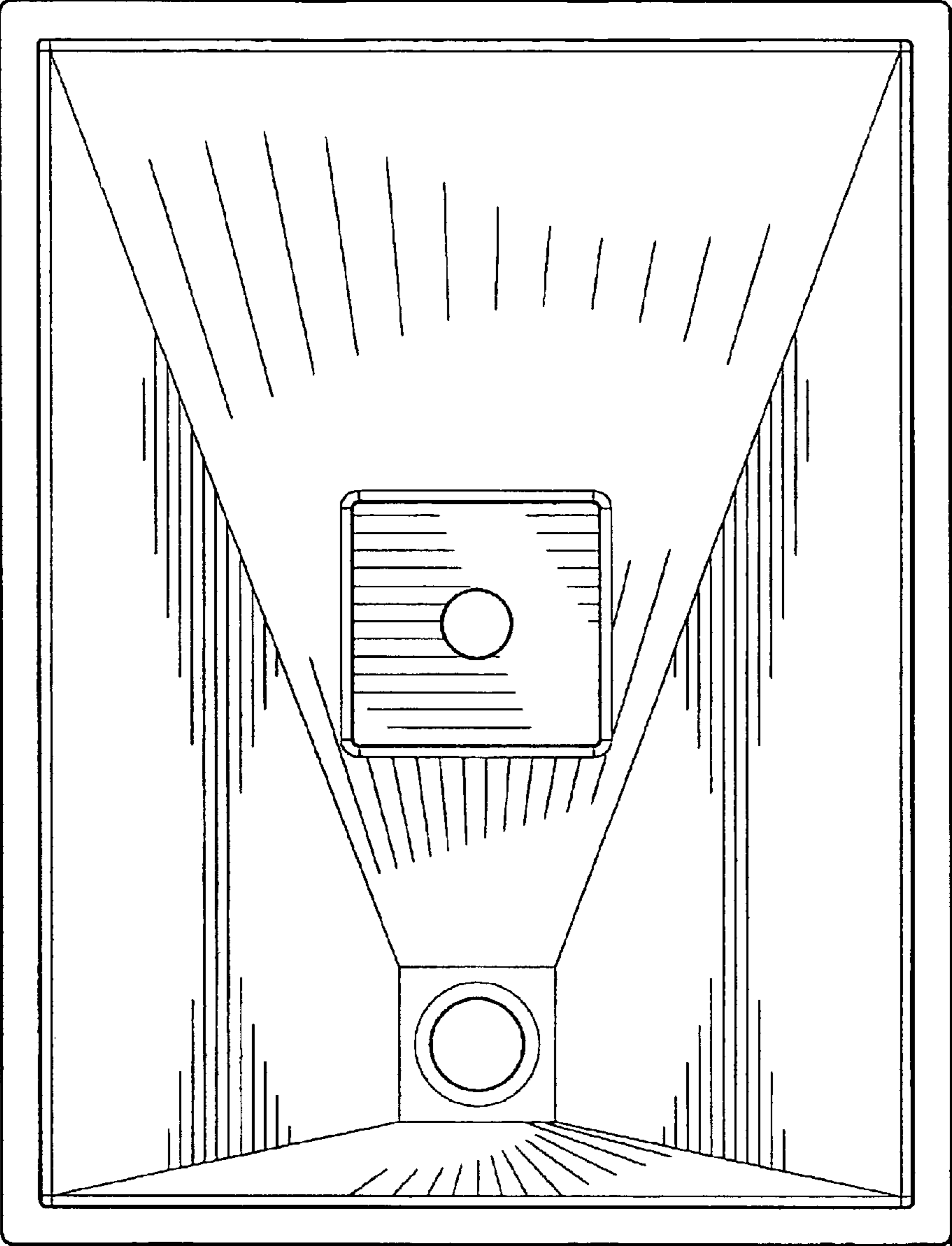


FIG. 5

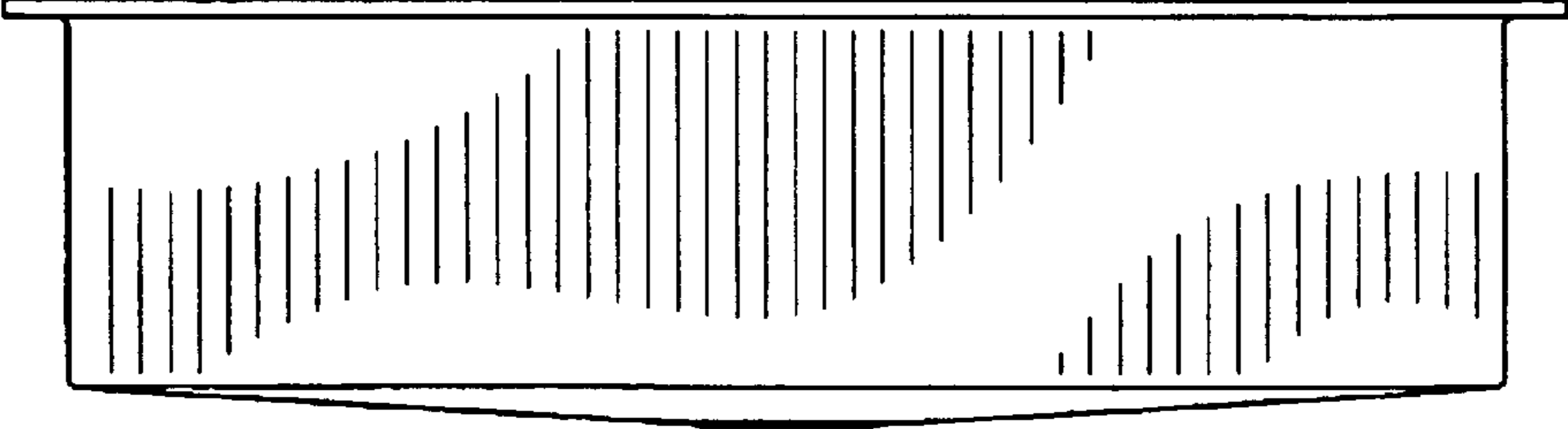


FIG. 6

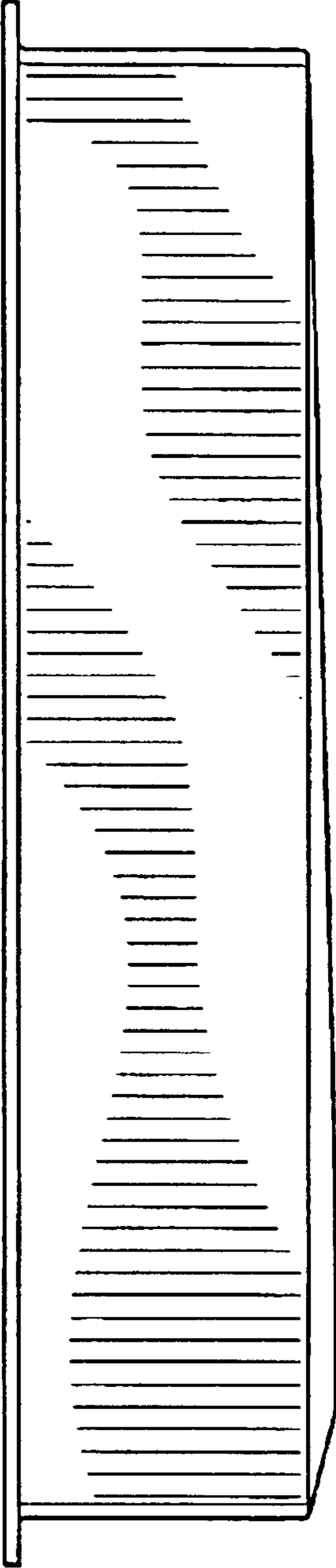
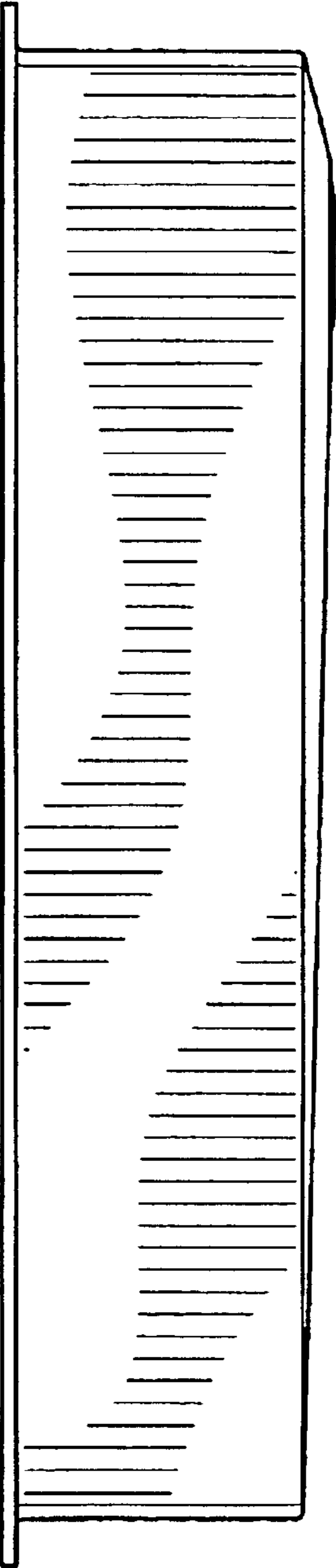


FIG. 7



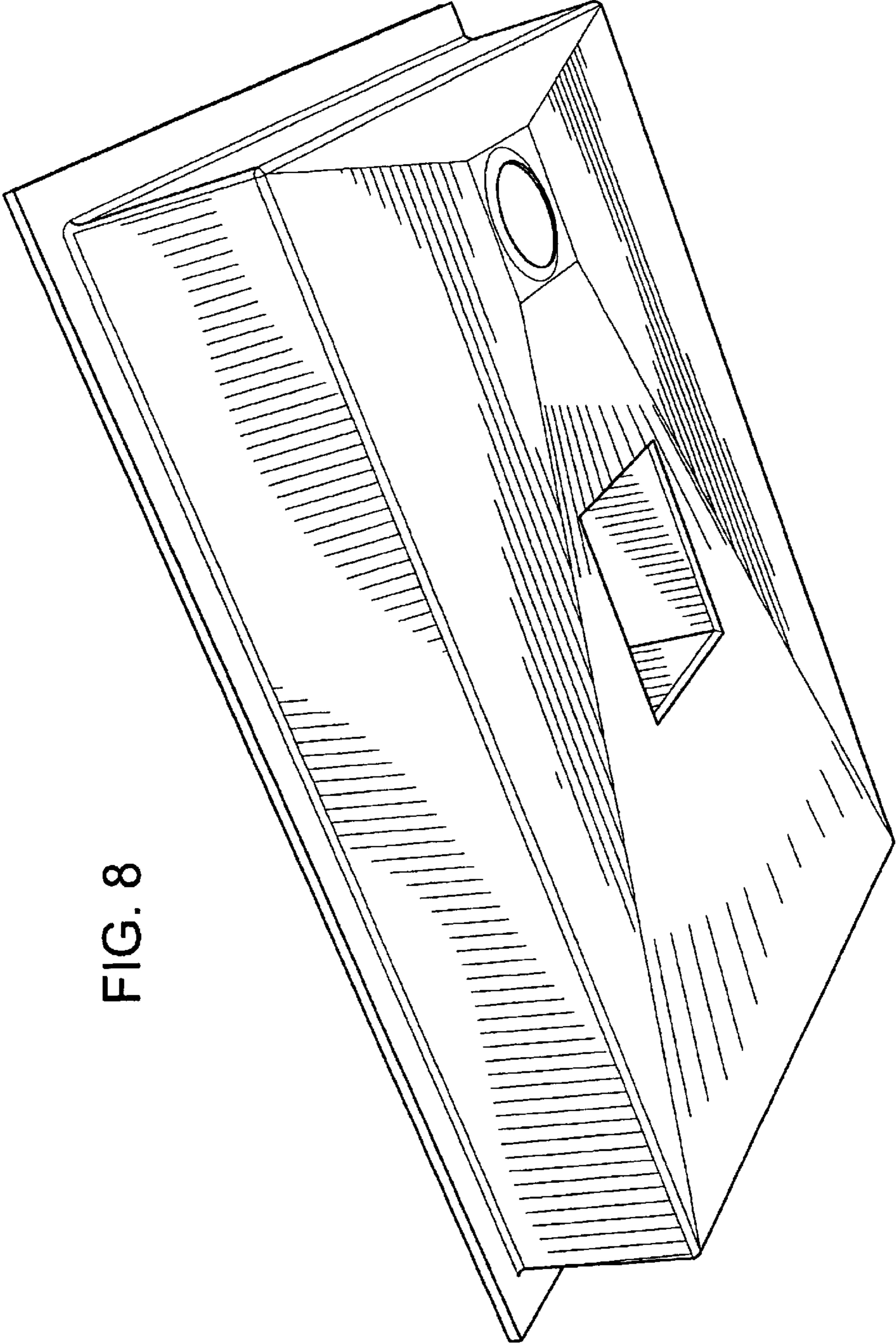


FIG. 8

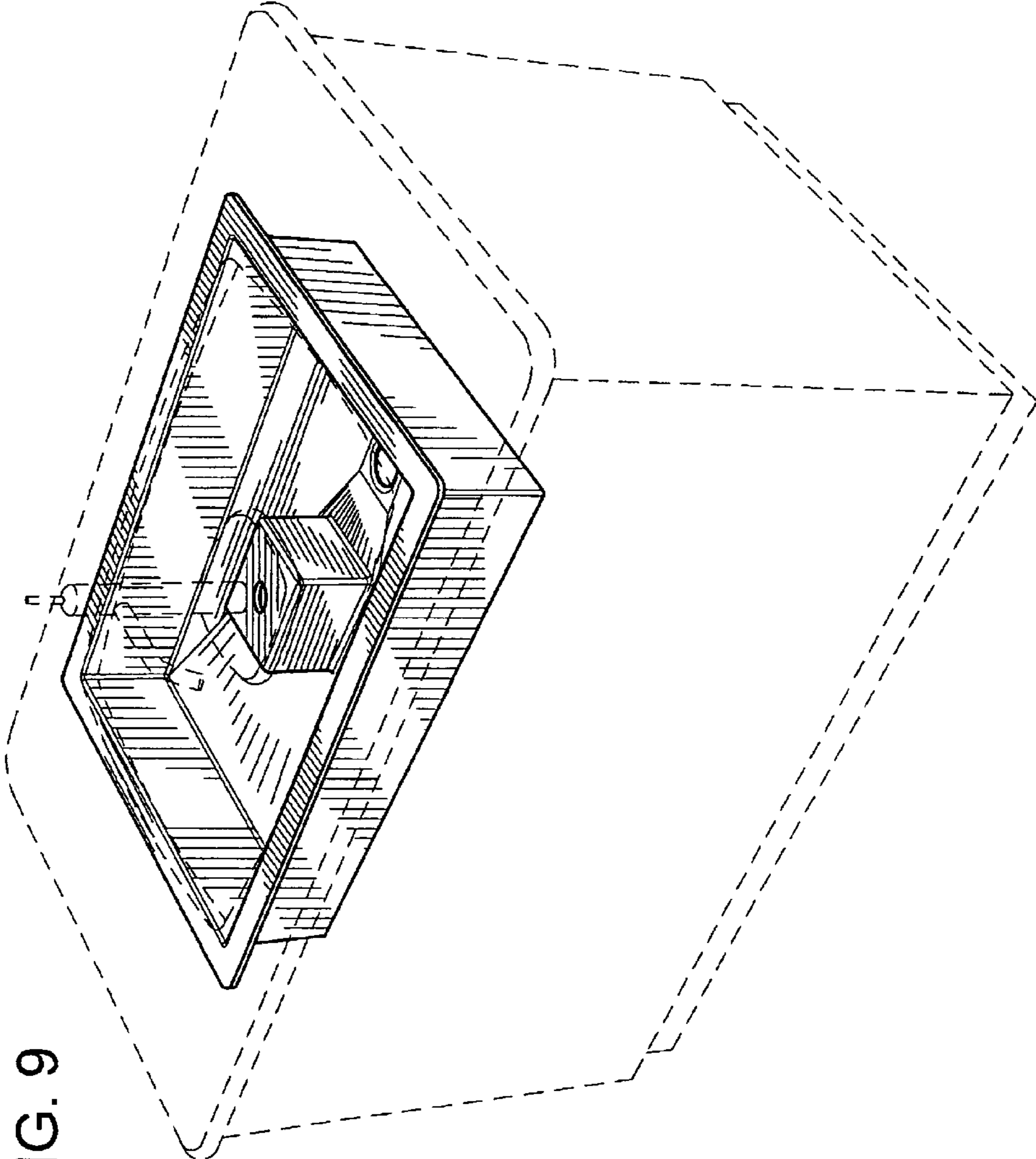


FIG. 9

FIG. 10

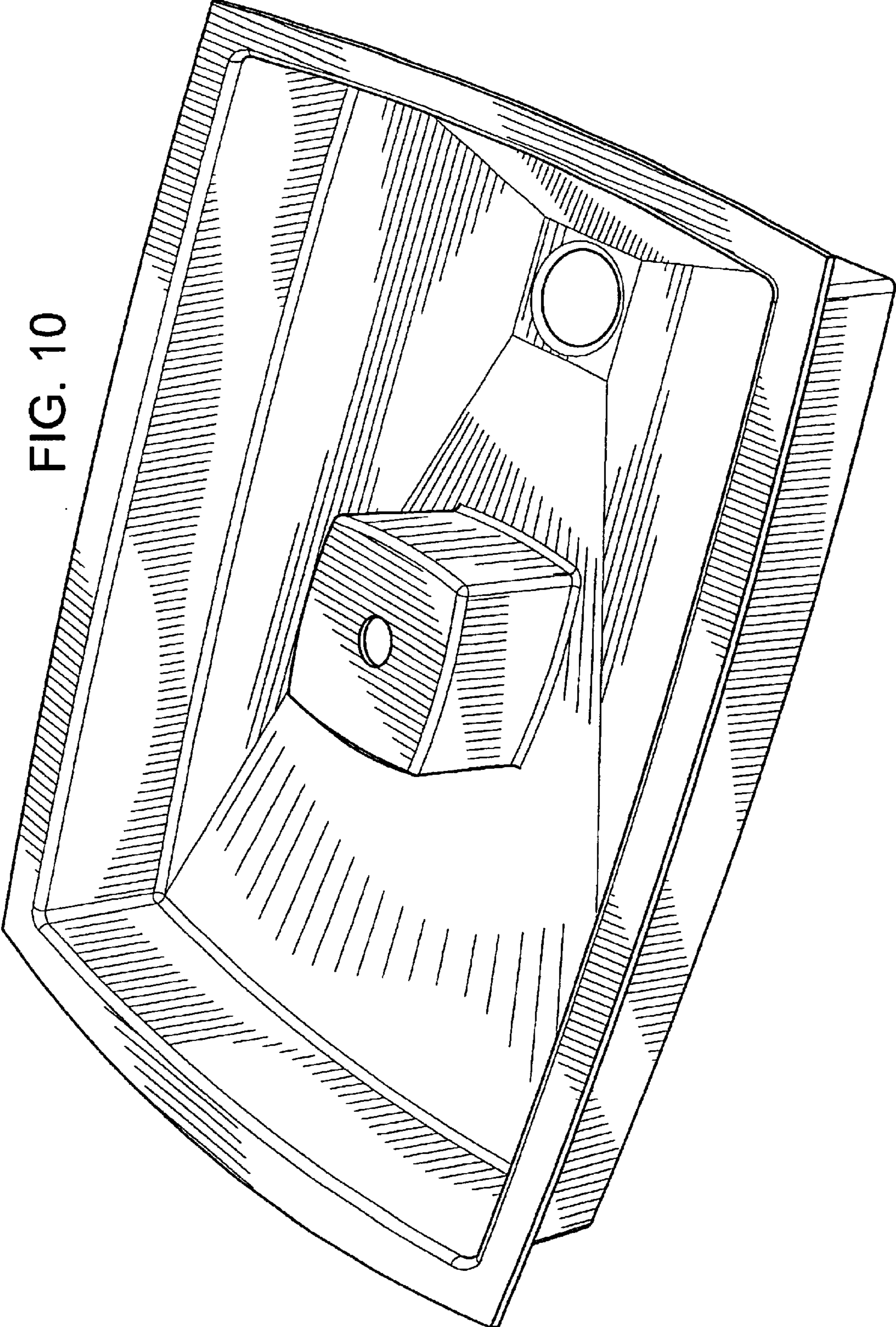




FIG. 11

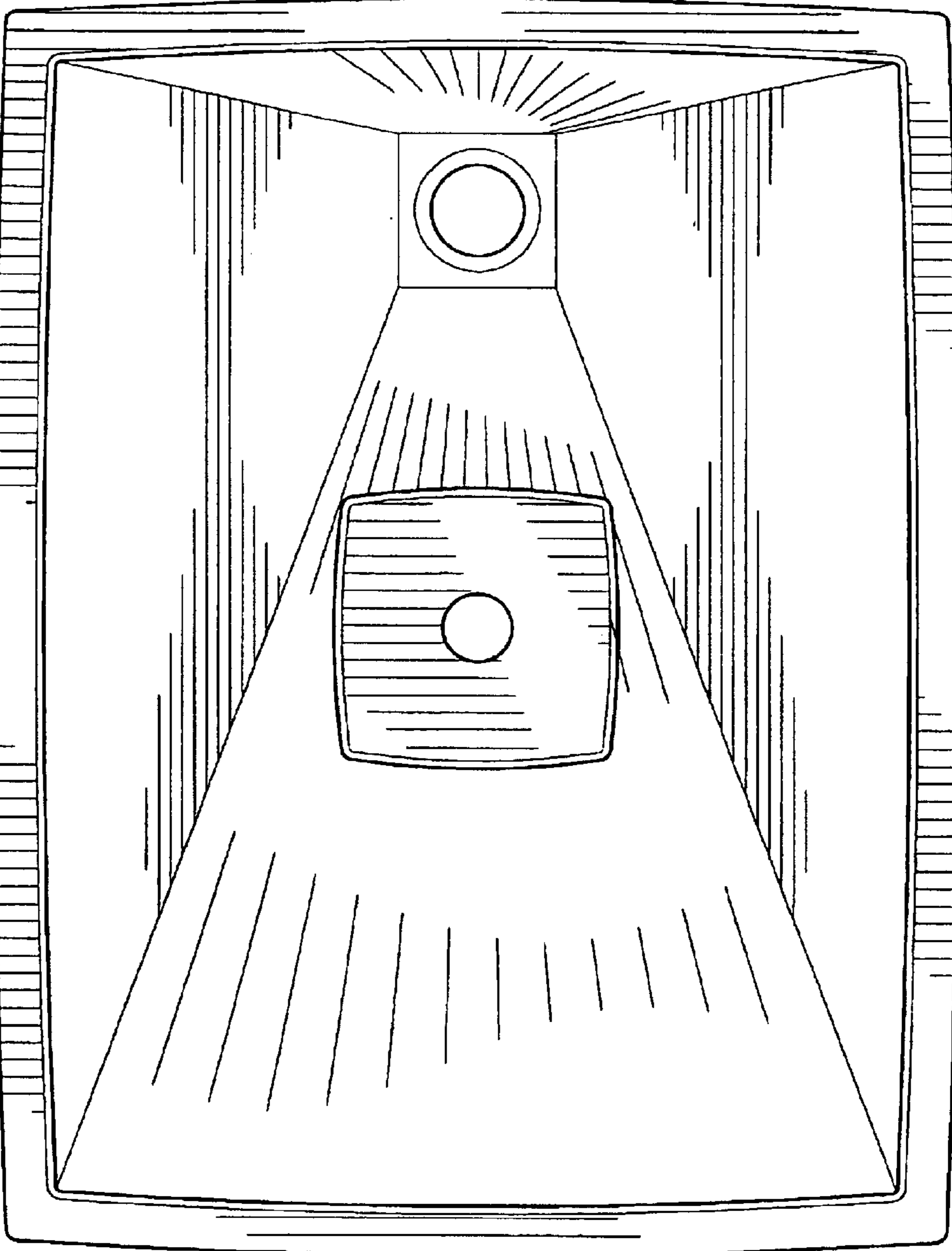


FIG. 12

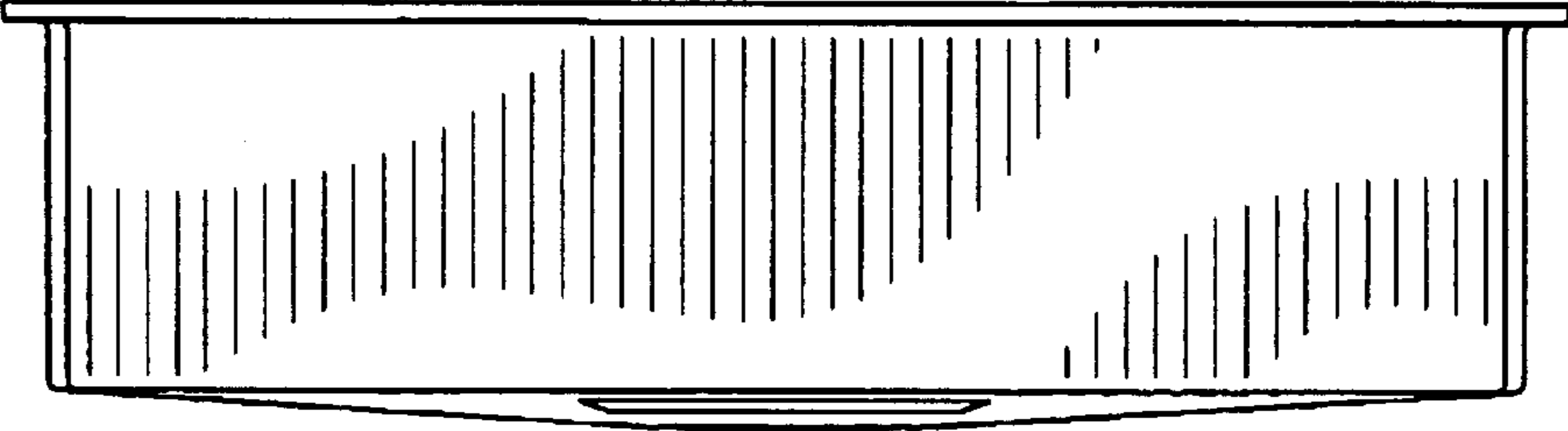


FIG. 13

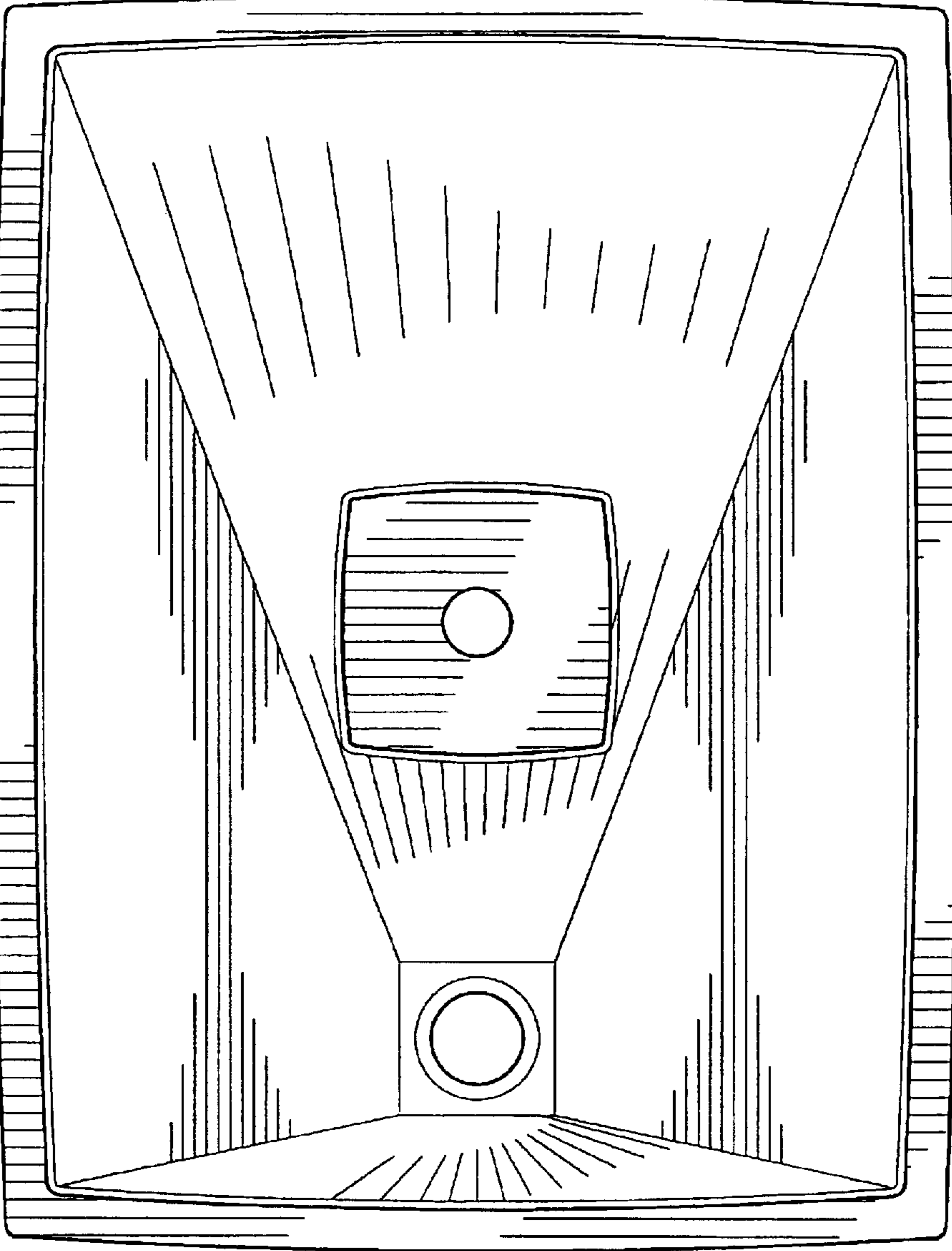


FIG. 14

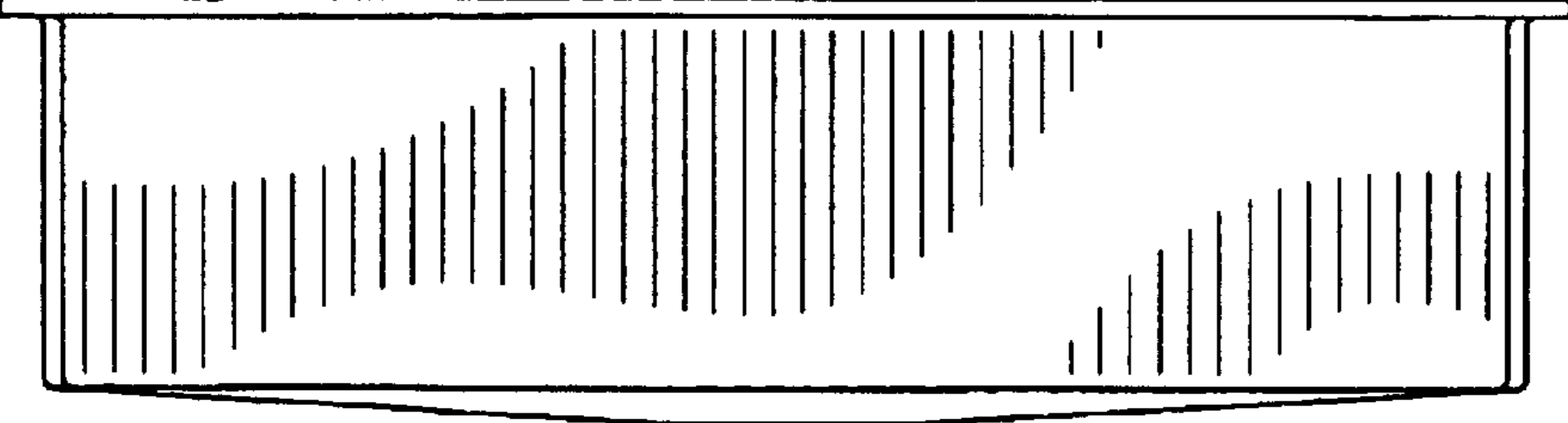


FIG. 15

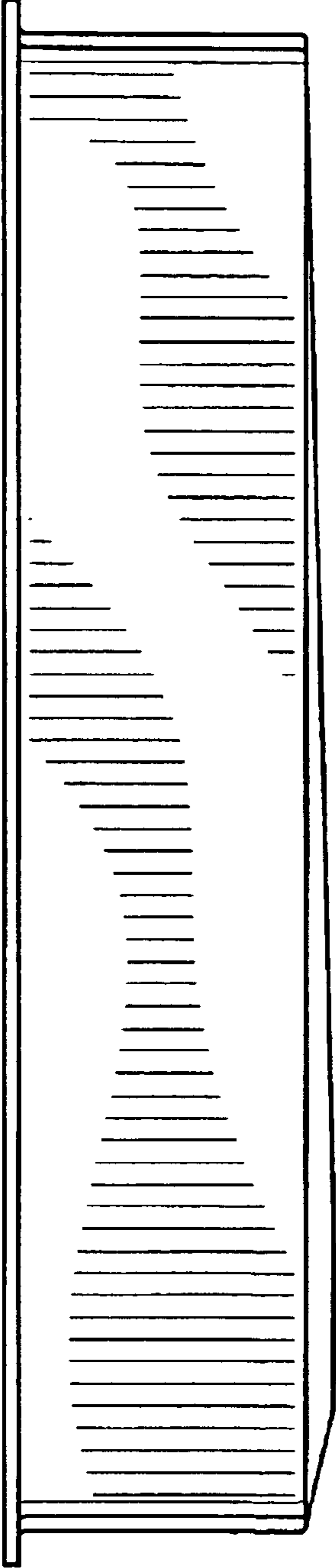
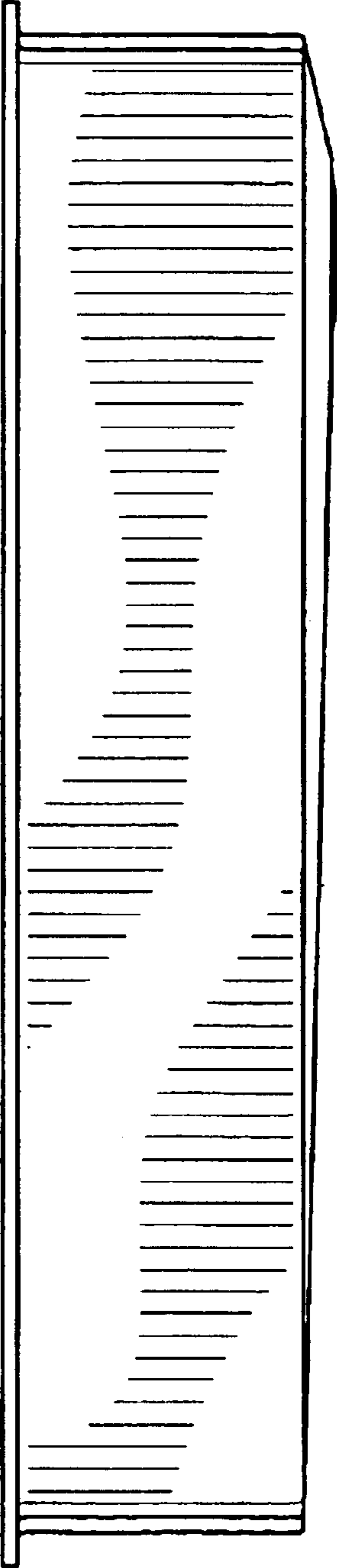


FIG. 16



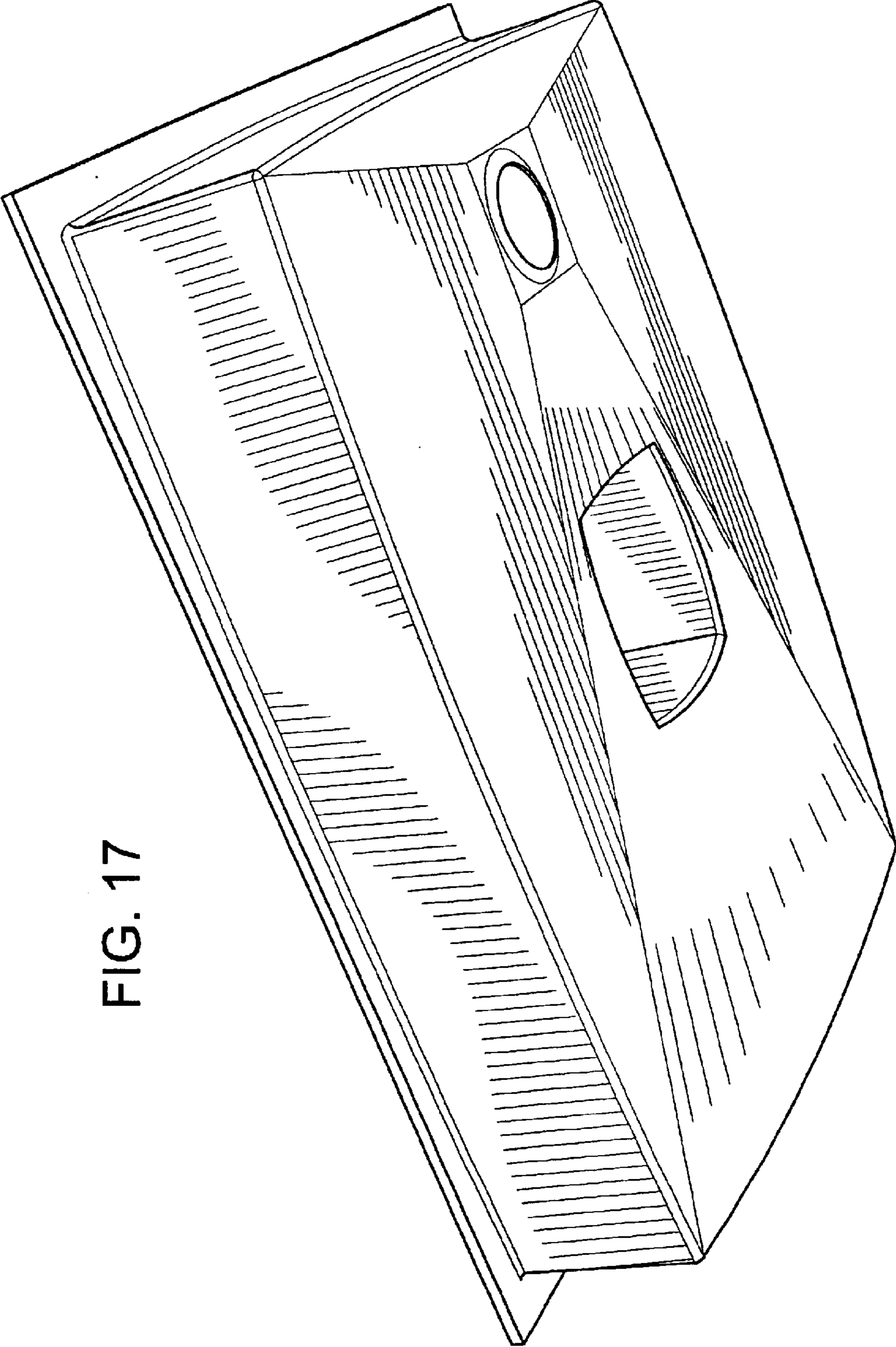


FIG. 17



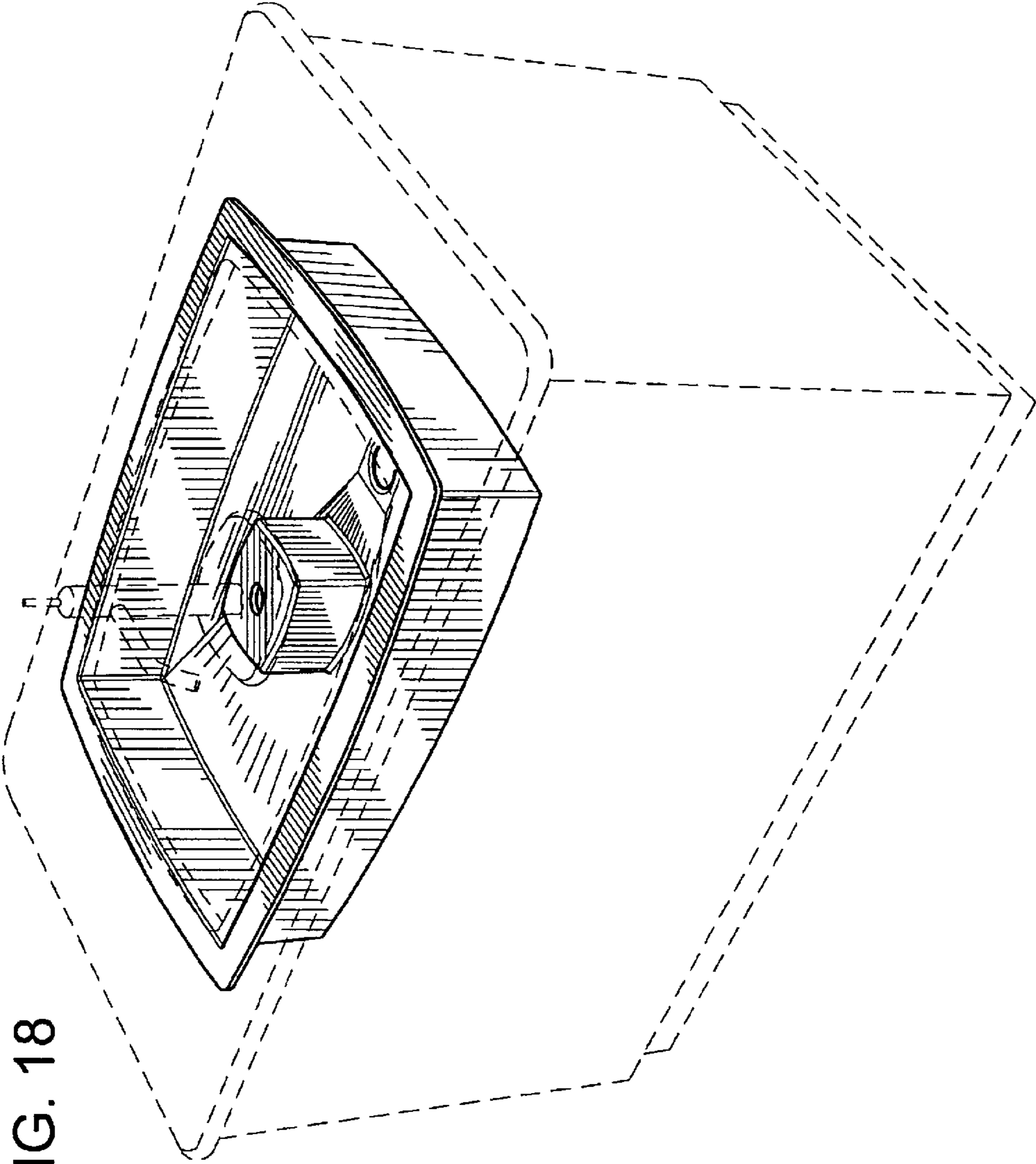


FIG. 18