



US00D507040S

(12) **United States Design Patent**
Ferrer Beltran

(10) **Patent No.:** **US D507,040 S**
(45) **Date of Patent:** **** Jul. 5, 2005**

(54) **WASHBASIN**

(75) **Inventor:** **Jose M. Ferrer Beltran, Bonrepos (ES)**

(73) **Assignee:** **Sonia, S.A. (ES)**

(**) **Term:** **14 Years**

(21) **Appl. No.:** **29/206,115**

(22) **Filed:** **May 26, 2004**

(51) **LOC (8) Cl.** **23-02**

(52) **U.S. Cl.** **D23/284**

(58) **Field of Search** D23/270-273,
D23/284-286, 293.1, 303, 308, 289, 292;
4/661-666, 619, 624, 630, 519, 638, 643,
515

(56) **References Cited**

U.S. PATENT DOCUMENTS

1,228,122 A * 5/1917 McCandless et al. 4/519
D492,396 S * 6/2004 Sutopo D23/293.1
D495,792 S * 9/2004 Sutopo D23/293.1

* cited by examiner

Primary Examiner—Robert A. Delehanty
(74) *Attorney, Agent, or Firm*—Lackenbach Siegel, LLP

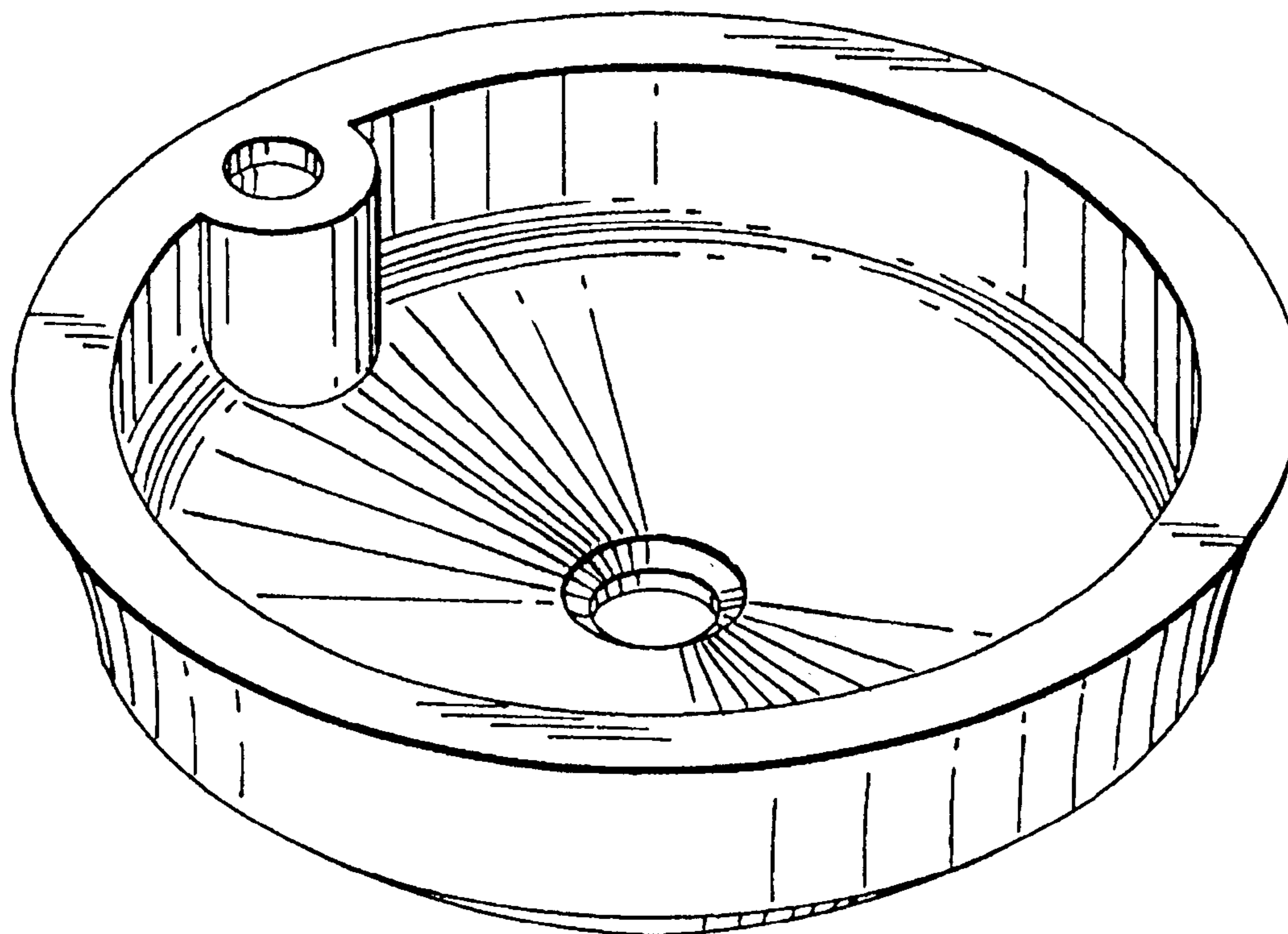
(57) **CLAIM**

The ornamental design for the washbasin, as shown and described.

DESCRIPTION

FIG. 1 is a perspective view of the washbasin;
FIG. 2 is a top plan view of the washbasin of FIG. 1;
FIG. 3 is a front elevational view of the washbasin of FIG. 1;
FIG. 4 is a left side elevational view of the washbasin of FIG. 1;
FIG. 5 is a right side elevational view of the washbasin of FIG. 1;
FIG. 6 is a bottom plan view of the washbasin of FIG. 1; and,
FIG. 7 is a diametrical sectional elevational view of the washbasin of FIG. 1.

1 Claim, 3 Drawing Sheets



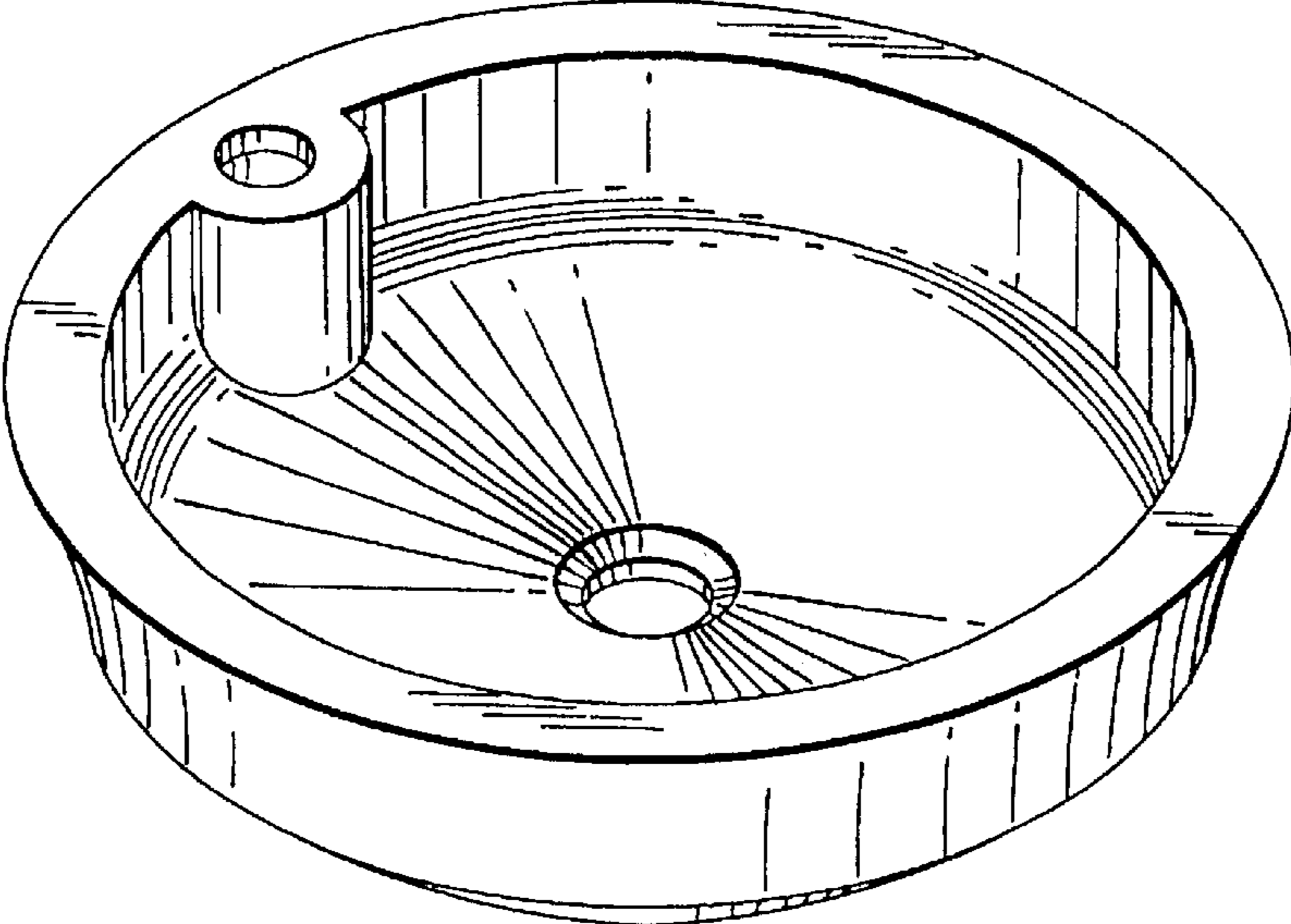


FIG. 1

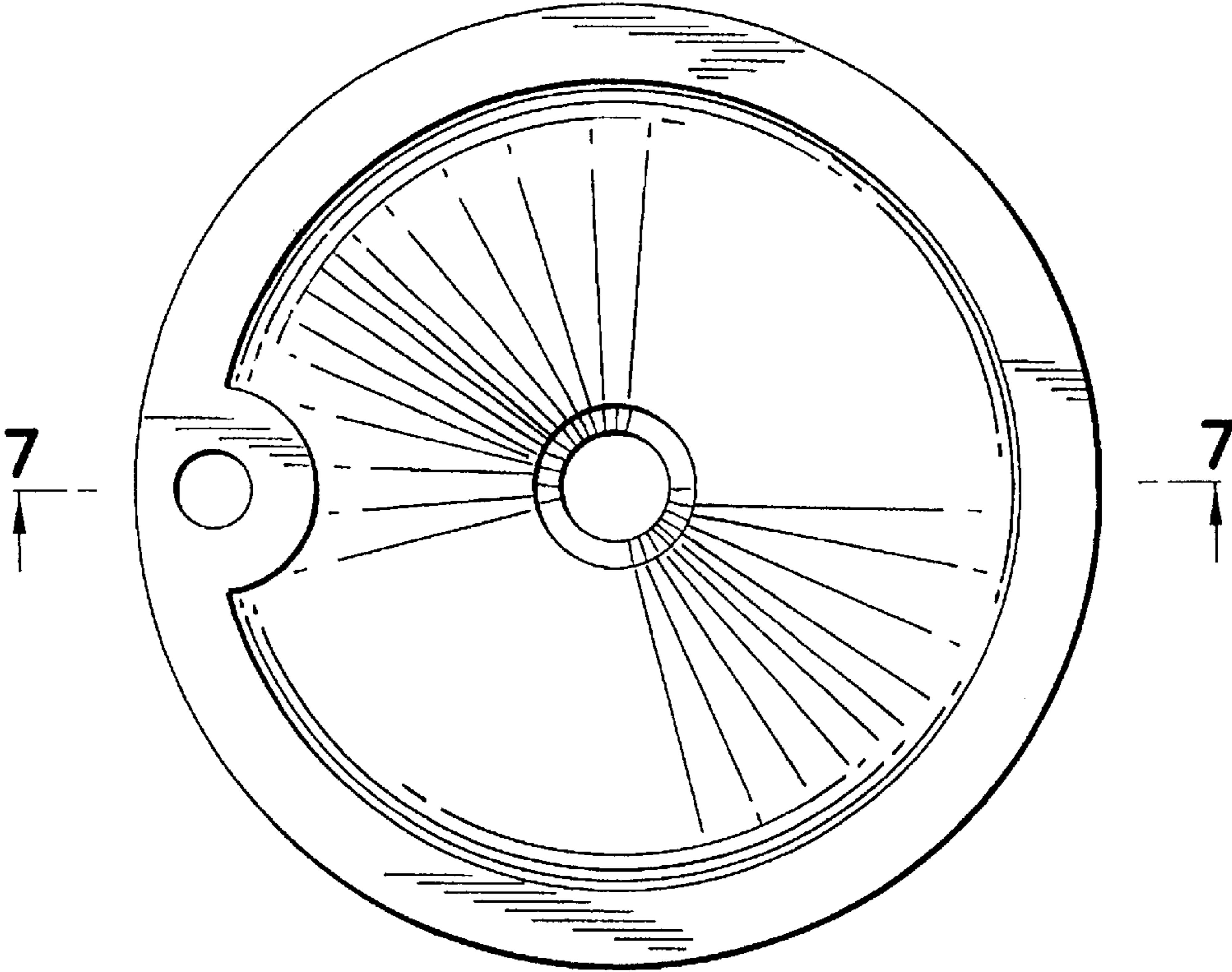


FIG. 2

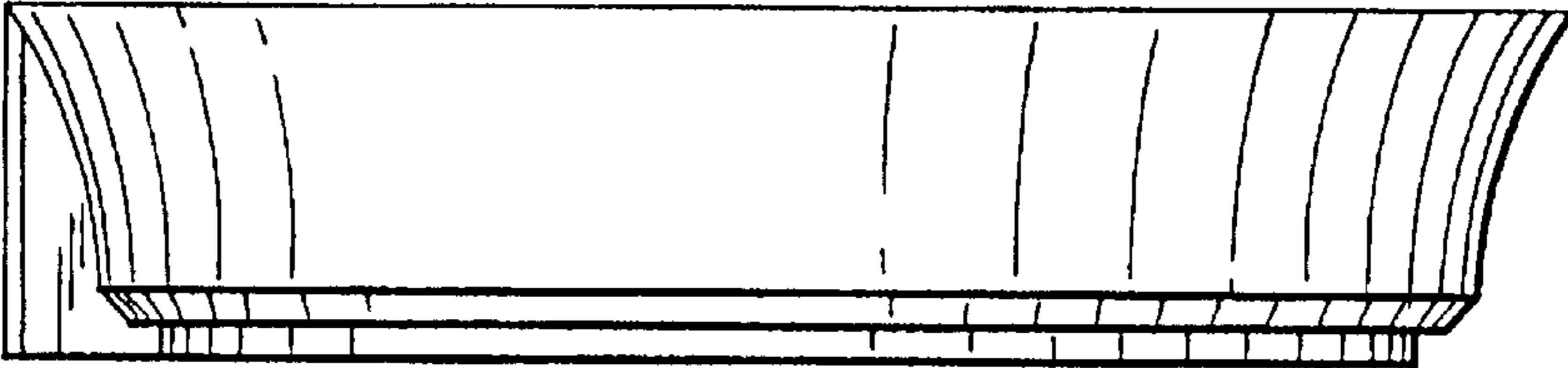


FIG.3

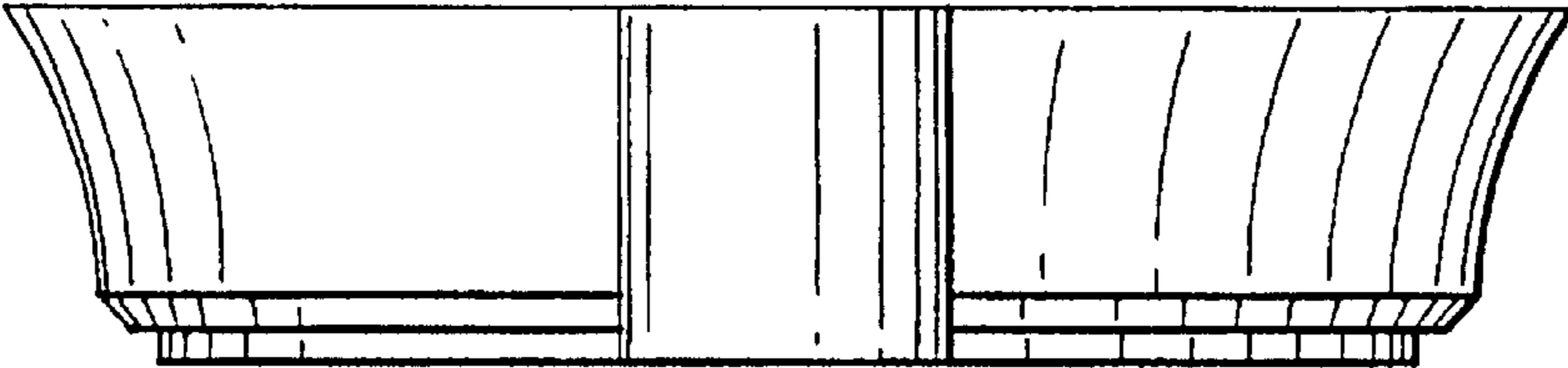


FIG.4

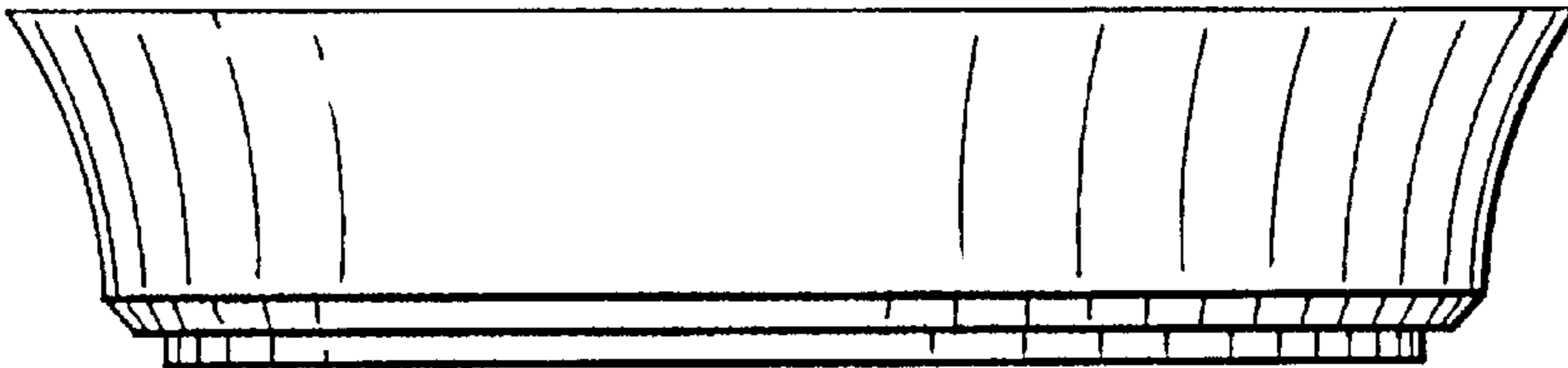


FIG.5

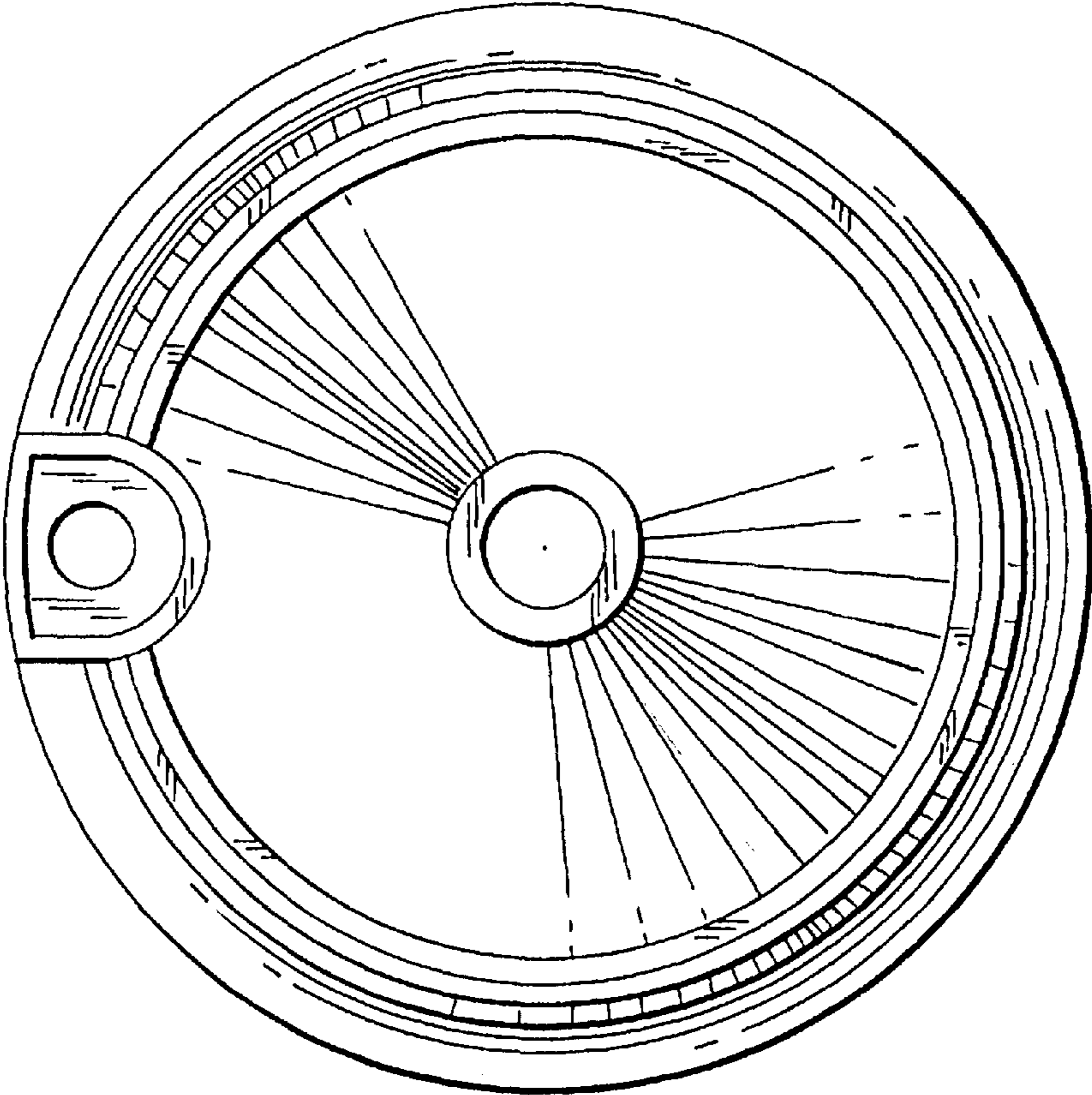


FIG. 6

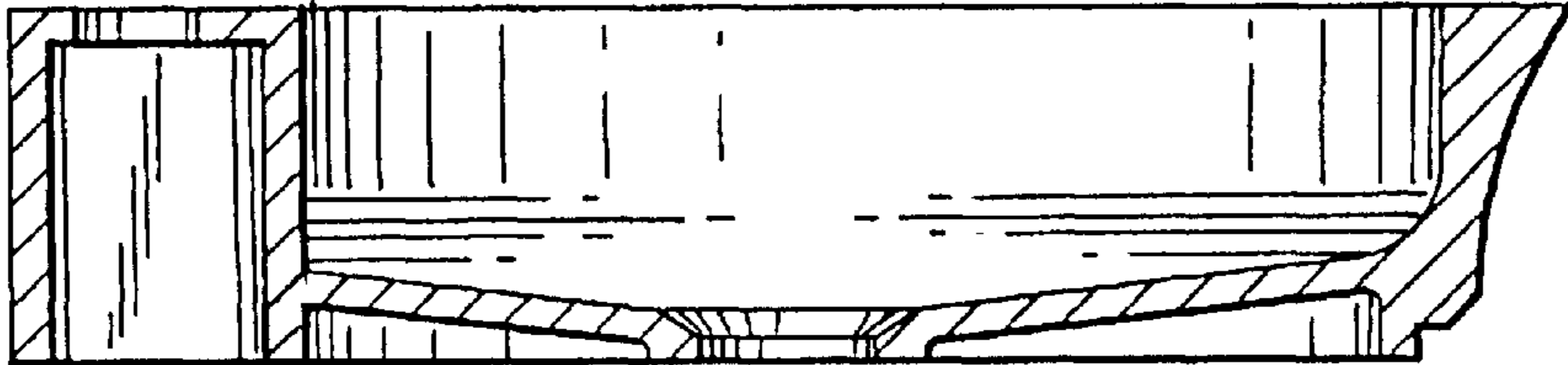


FIG. 7