

US00D507037S

(12) **United States Design Patent**  
**Wu**

(10) **Patent No.:** **US D507,037 S**

(45) **Date of Patent:** **\*\* Jul. 5, 2005**

(54) **SHOWER HEAD**

D452,553 S \* 12/2001 Lindholm et al. .... D23/229

(76) **Inventor:** **James Wu**, No. 1, Alley 16, Lane 40,  
Jinn Te Rd., Taichung (TW)

\* cited by examiner

*Primary Examiner*—Robin V. Taylor

(\*\*) **Term:** **14 Years**

(57) **CLAIM**

(21) **Appl. No.:** **29/202,381**

The ornamental design for a shower head, as shown and described.

(22) **Filed:** **Mar. 31, 2004**

(51) **LOC (8) Cl.** ..... **23-01**

(52) **U.S. Cl.** ..... **D23/229**

(58) **Field of Search** ..... D23/213, 229,  
D23/230; 239/282, 283

**DESCRIPTION**

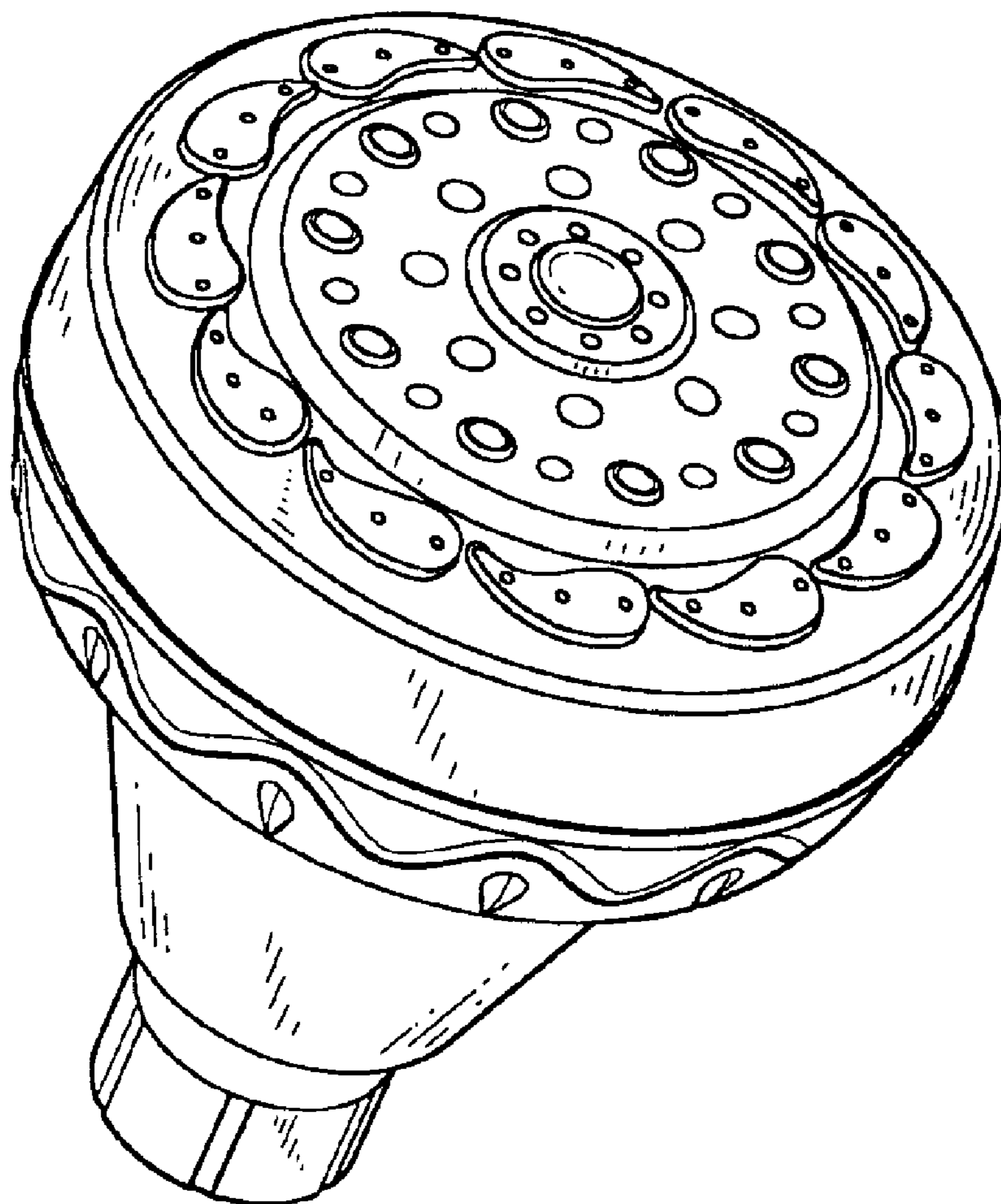
FIG. 1 is a front-right-top perspective view of a shower head, showing my new design;  
FIG. 2 is a front elevational view thereof;  
FIG. 3 is a rear elevational view thereof;  
FIG. 4 is a left side elevational view thereof;  
FIG. 5 is a right side elevational view thereof;  
FIG. 6 is a top plan view thereof; and,  
FIG. 7 is a bottom plan view thereof.

(56) **References Cited**

**U.S. PATENT DOCUMENTS**

- D364,915 S \* 12/1995 Huang ..... D23/213
- D405,504 S \* 2/1999 Huen ..... D23/229
- D408,893 S \* 4/1999 Tse ..... D23/229
- D450,807 S \* 11/2001 Lindholm et al. .... D23/229

**1 Claim, 7 Drawing Sheets**



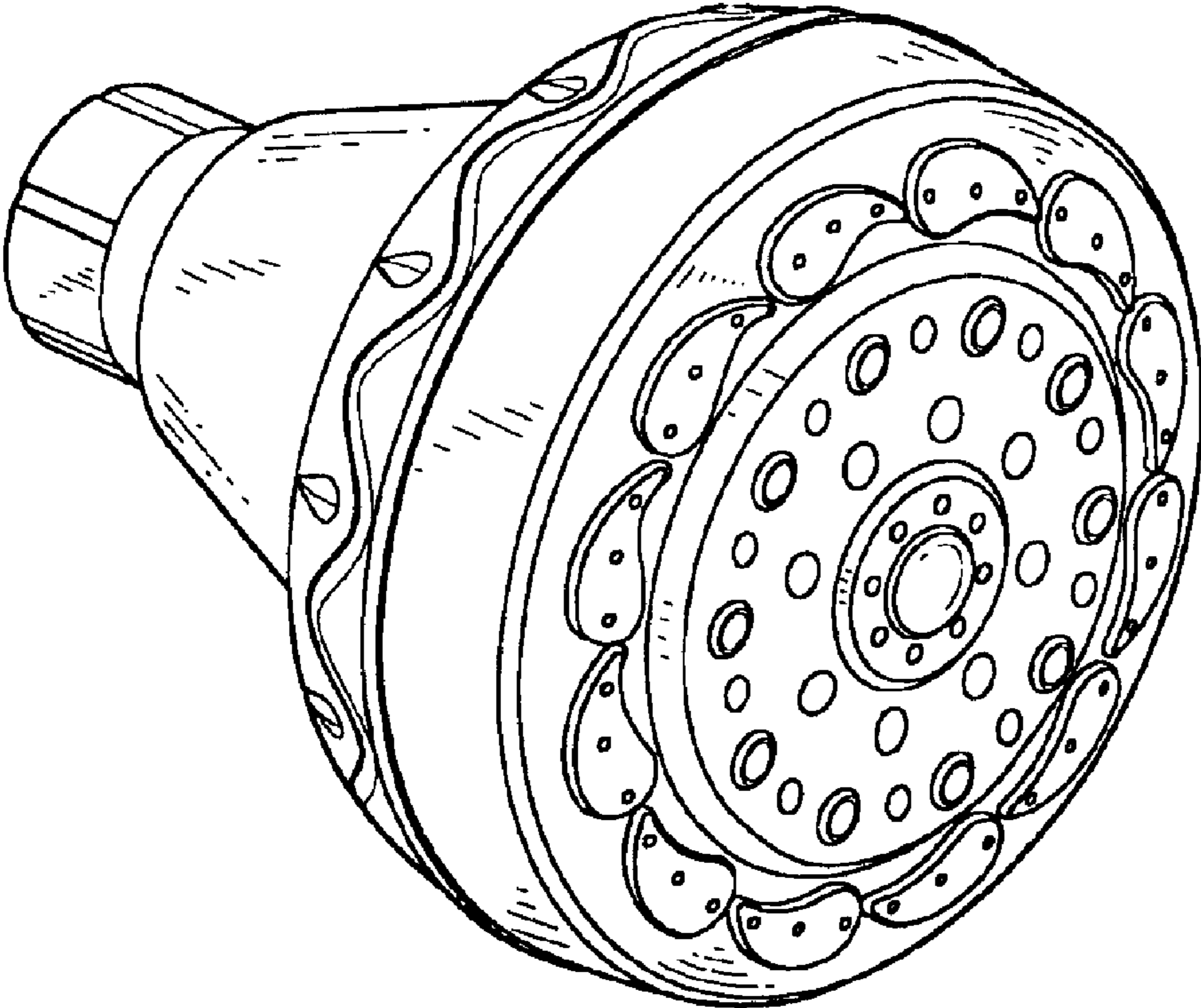


FIG.1

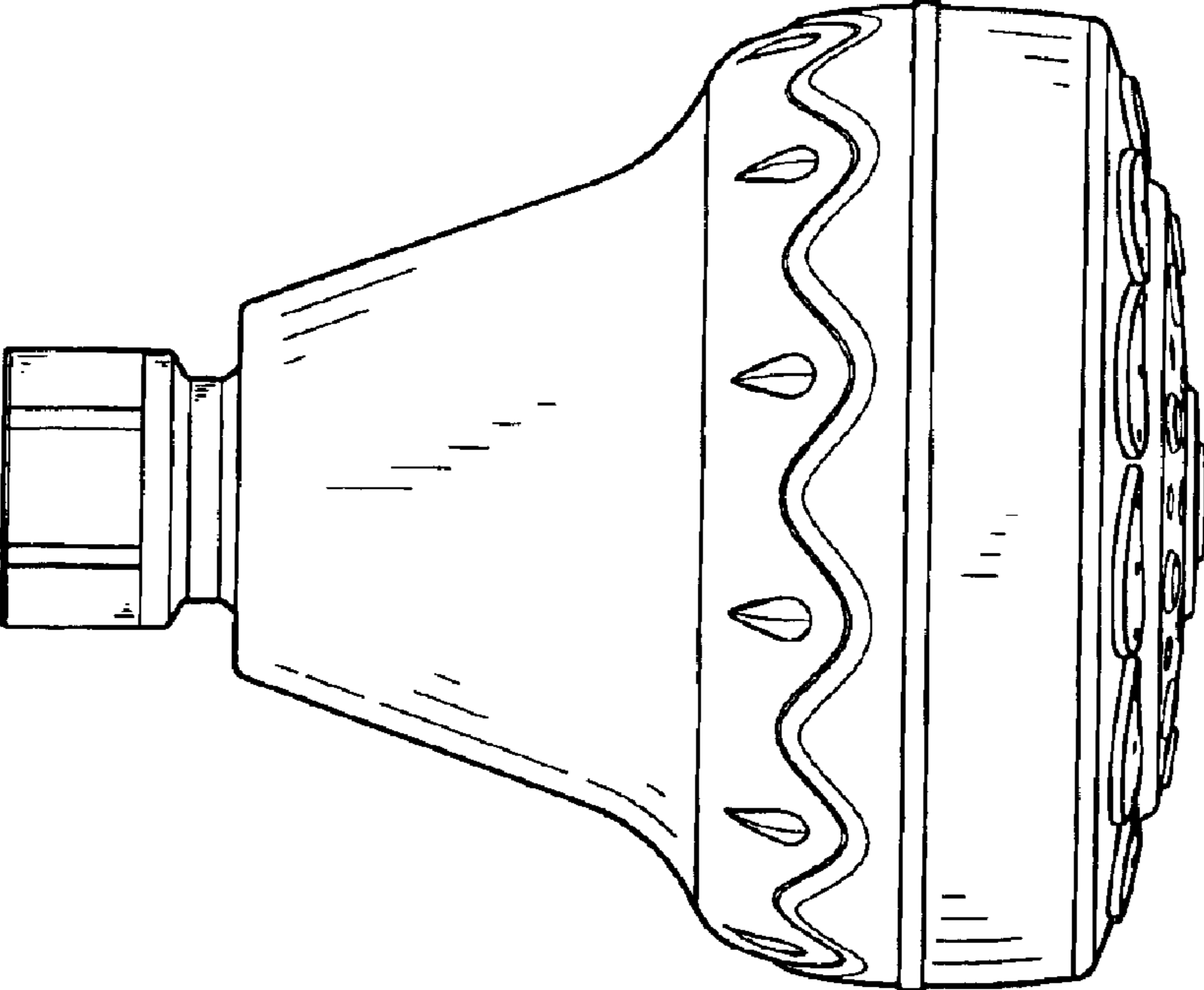


FIG.2

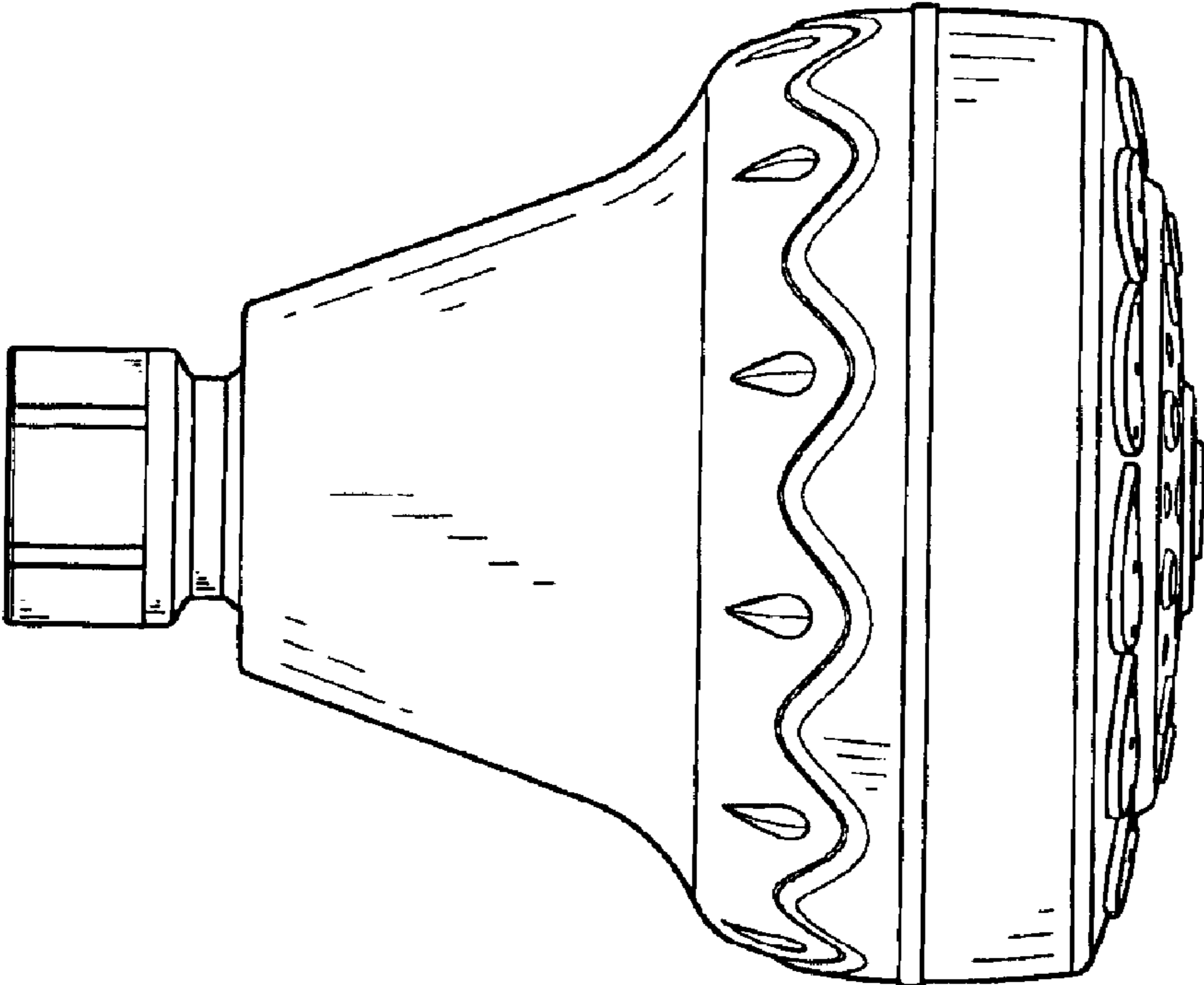


FIG.3

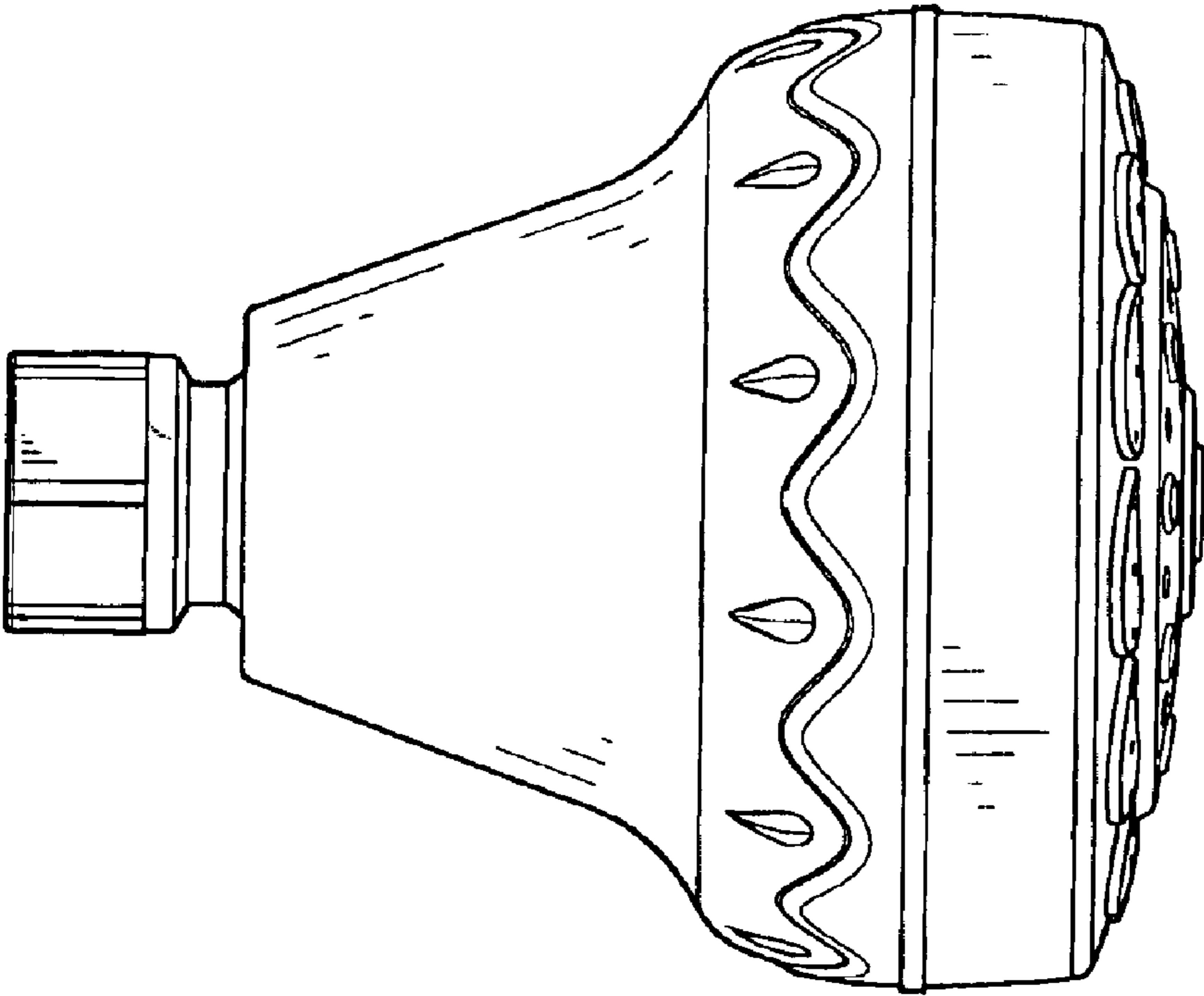


FIG.4

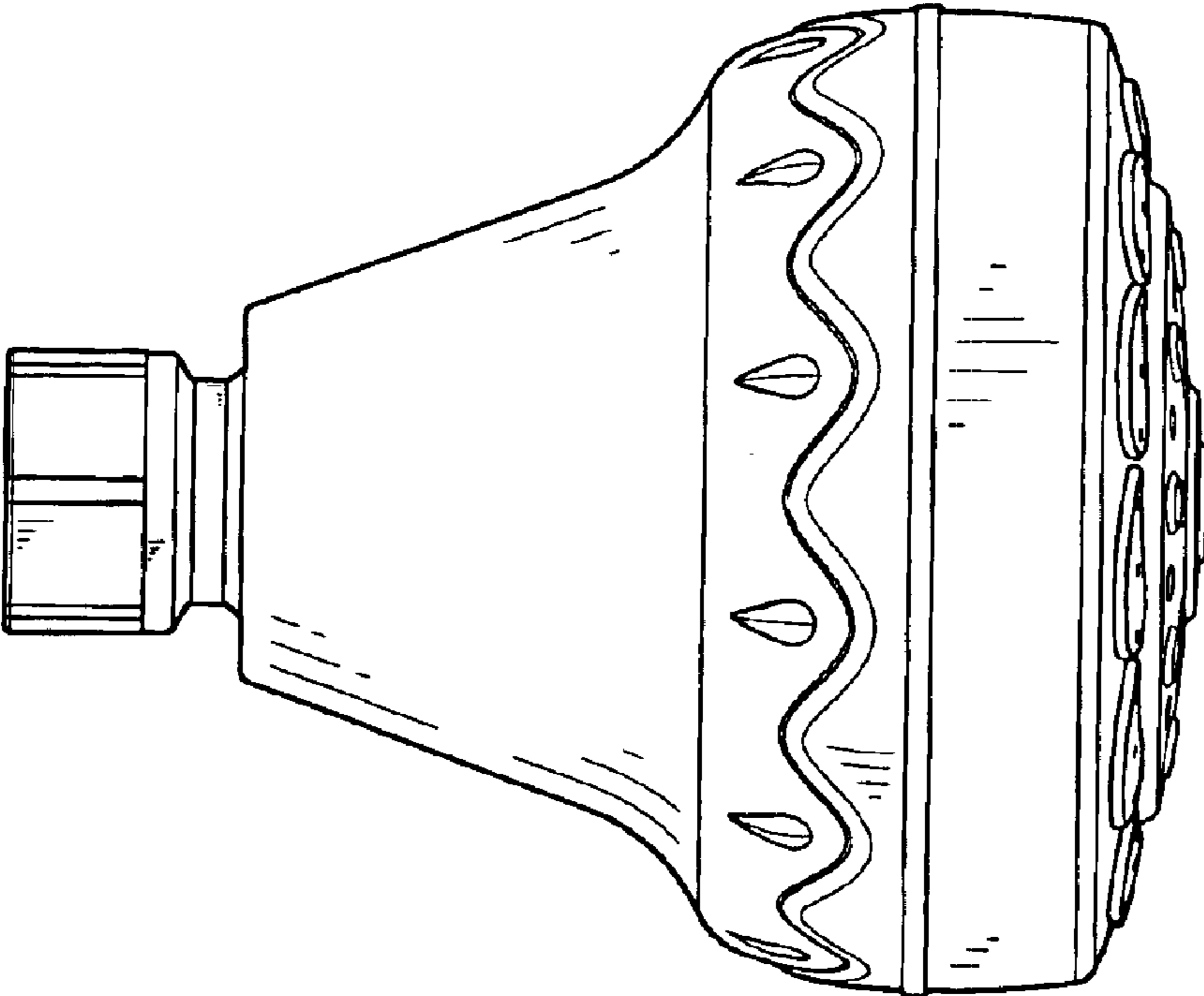


FIG.5

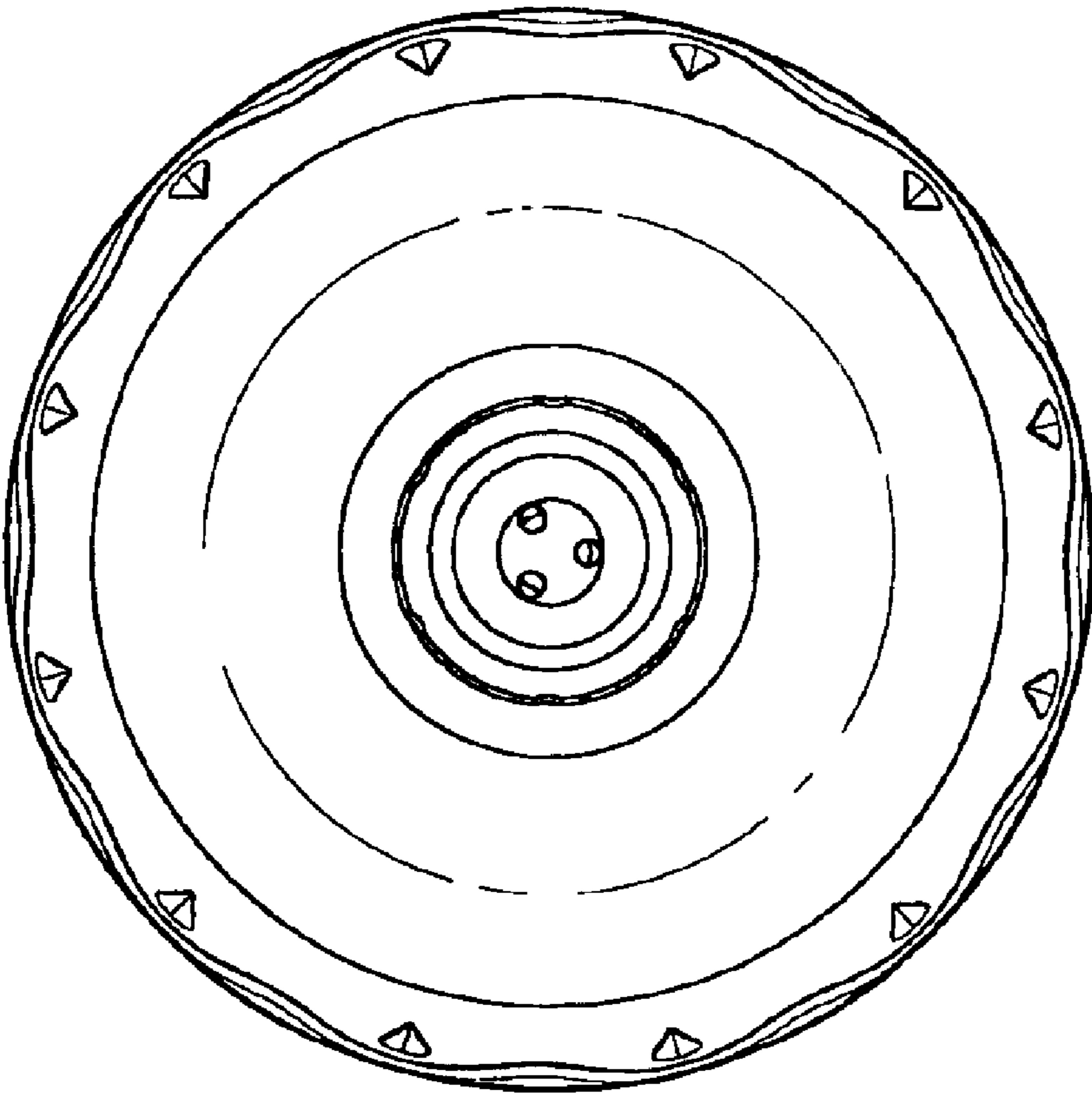


FIG.6

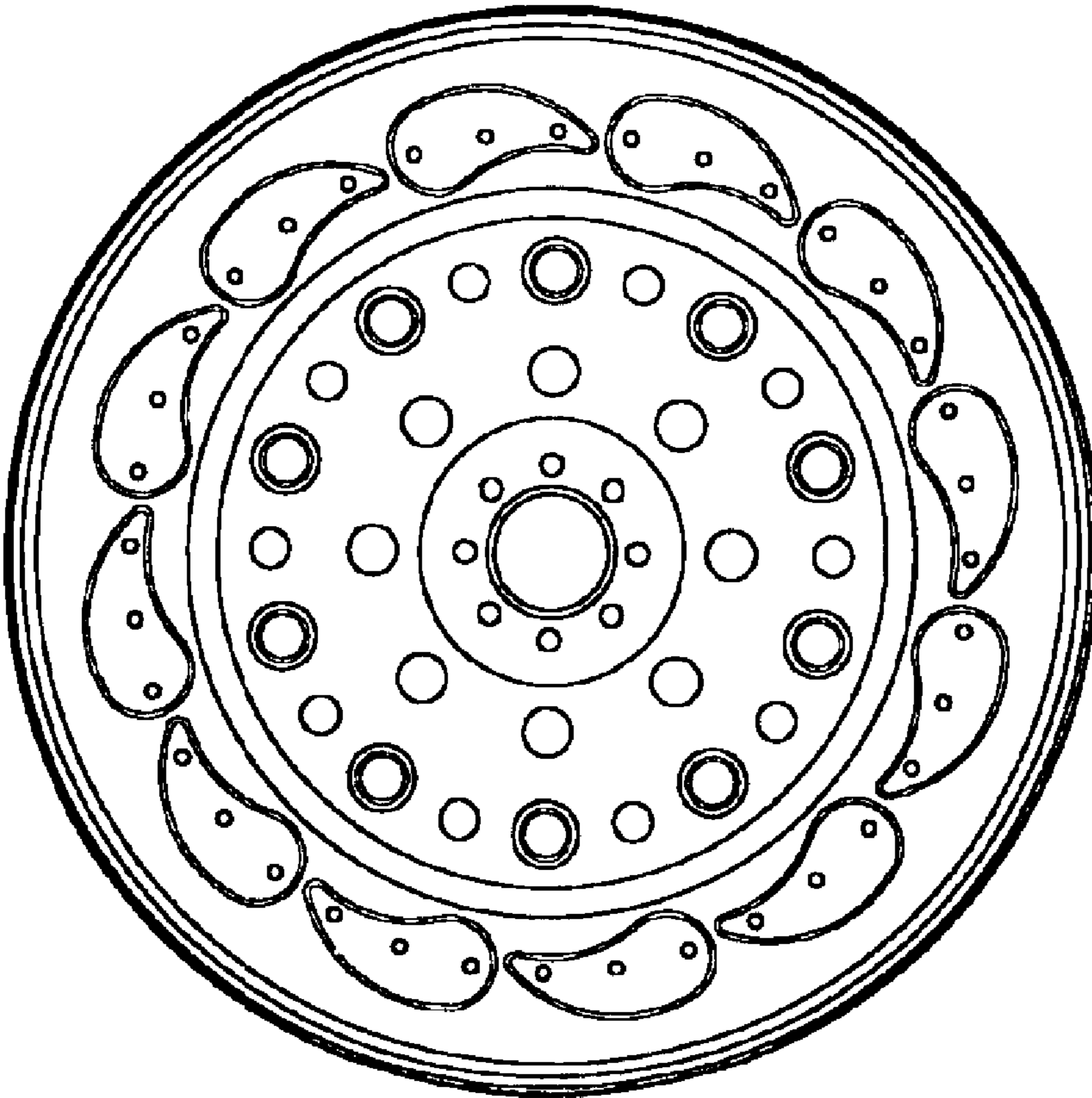


FIG.7