



US00D507035S

(12) **United States Design Patent**
Taniguchi et al.

(10) **Patent No.:** **US D507,035 S**
(45) **Date of Patent:** **** Jul. 5, 2005**

(54) **LIQUID FILTER CAP**

(75) Inventors: **Tohru Taniguchi**, Shizuoka (JP);
Yuzuru Ishibashi, Shizuoka (JP)

(73) Assignee: **Asahi Kasei Kabushiki Kaisha**, Osaka (JP)

(**) Term: **14 Years**

(21) Appl. No.: **29/181,659**

(22) Filed: **May 15, 2003**

(30) **Foreign Application Priority Data**

Nov. 15, 2002 (JP) 2002-031487

(51) **LOC (8) Cl.** **23-01**

(52) **U.S. Cl.** **D23/209**

(58) **Field of Search** D23/207, 209,
D23/365; D9/448; 210/466, 467

(56) **References Cited**

U.S. PATENT DOCUMENTS

D263,078 S * 2/1982 Eddleman et al. D24/162

D322,836 S * 12/1991 Petrucci et al. D23/209
D356,625 S * 3/1995 Petrucci et al. D23/209
D457,231 S * 5/2002 Crafoord D23/265

* cited by examiner

Primary Examiner—Robin V. Taylor

(74) *Attorney, Agent, or Firm*—Birch, Stewart, Kolasch & Birch, LLP

(57) **CLAIM**

The ornamental design for a liquid filter cap, as shown and described.

DESCRIPTION

FIG. 1 is a perspective view of the liquid filter cap; FIG. 2 is a front elevational view of a liquid filter cap; FIG. 3 is a top plan view of a liquid filter cap; FIG. 4 is a bottom plan view of a liquid filter cap; and, FIG. 5 is a right side elevational view of a liquid filter cap, with the left side elevational view being identical thereto. The broken line showing is for illustrative purposes only and forms no part of the claimed design.

1 Claim, 3 Drawing Sheets

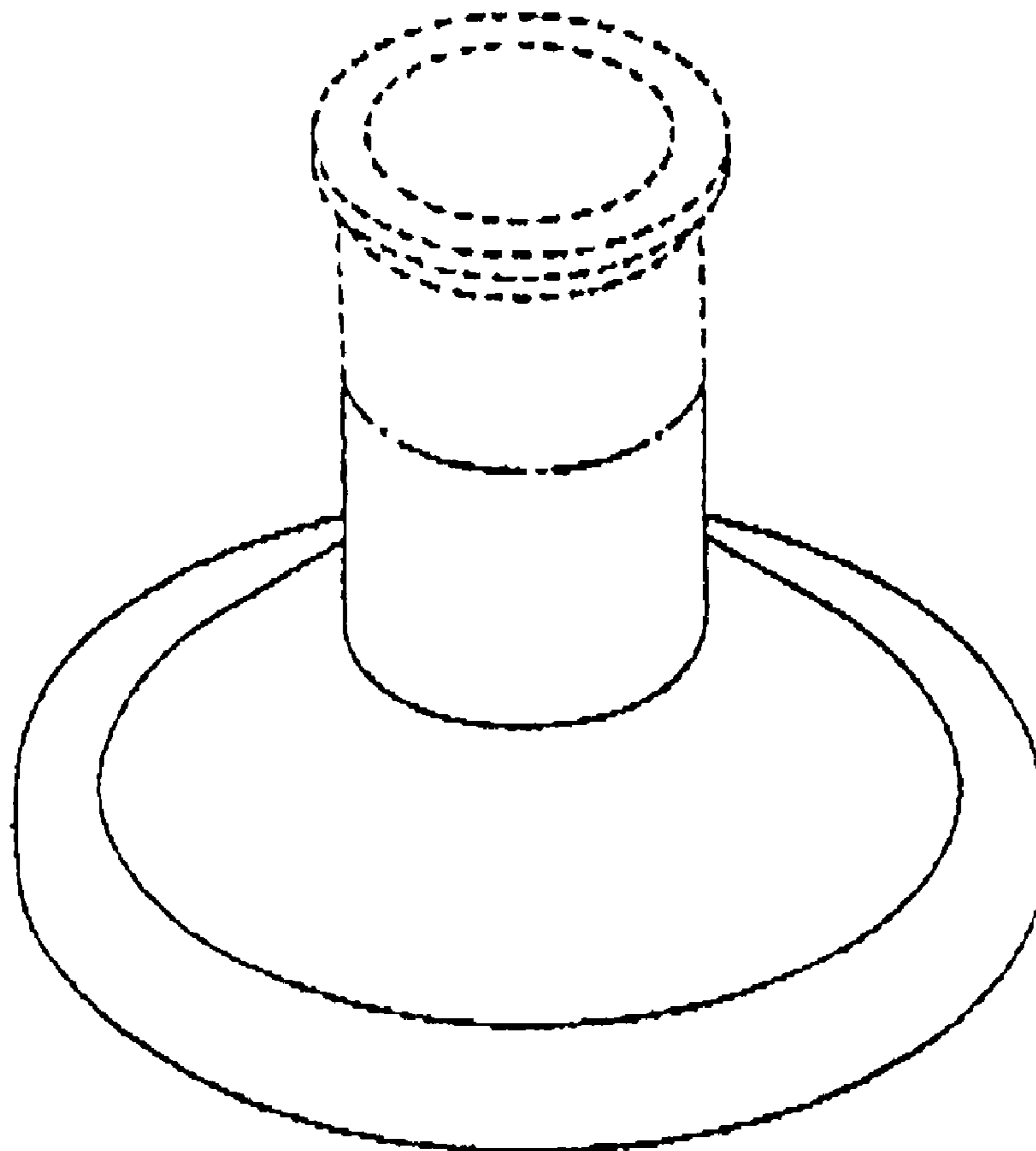


FIG. 1

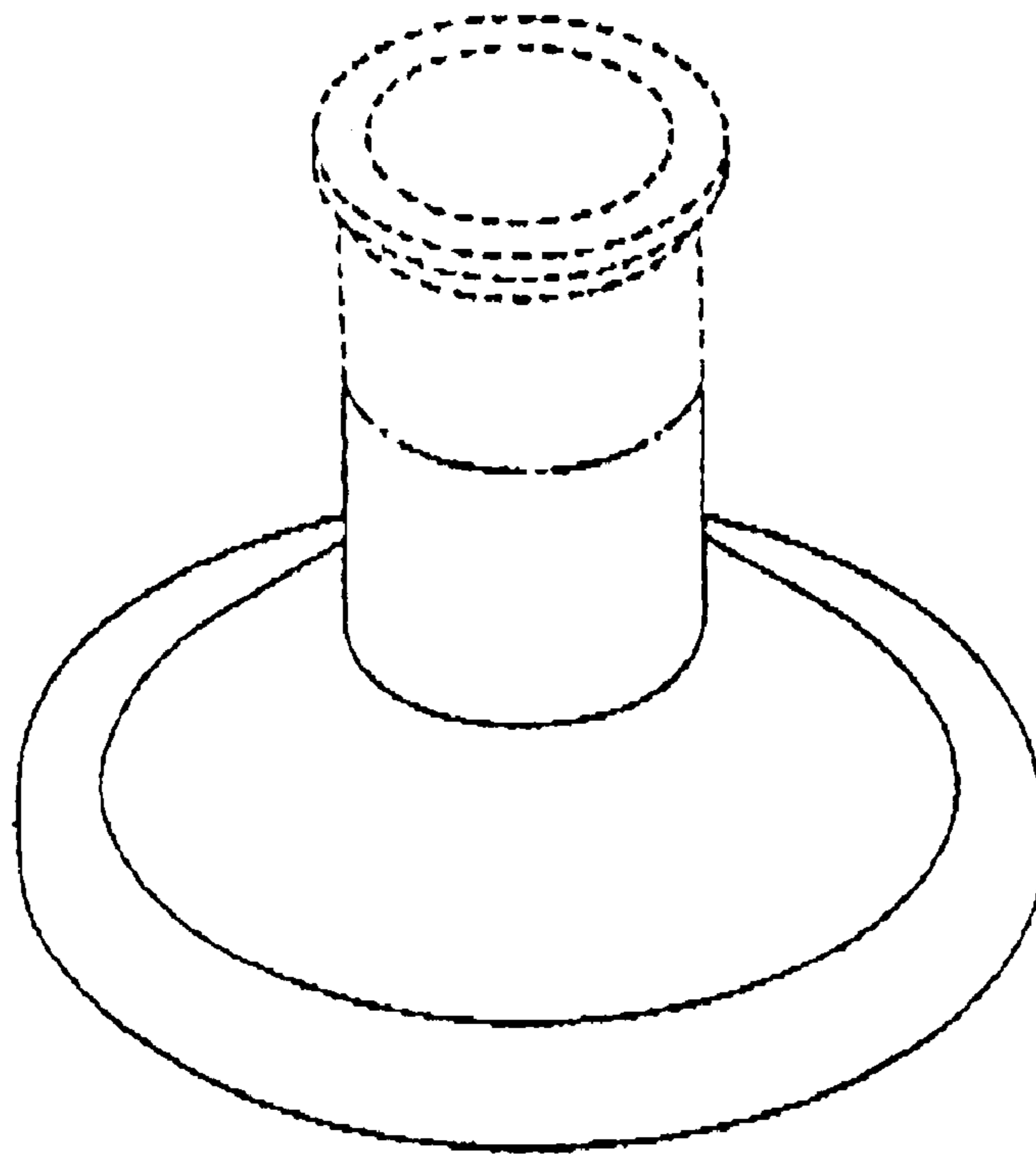


FIG. 2

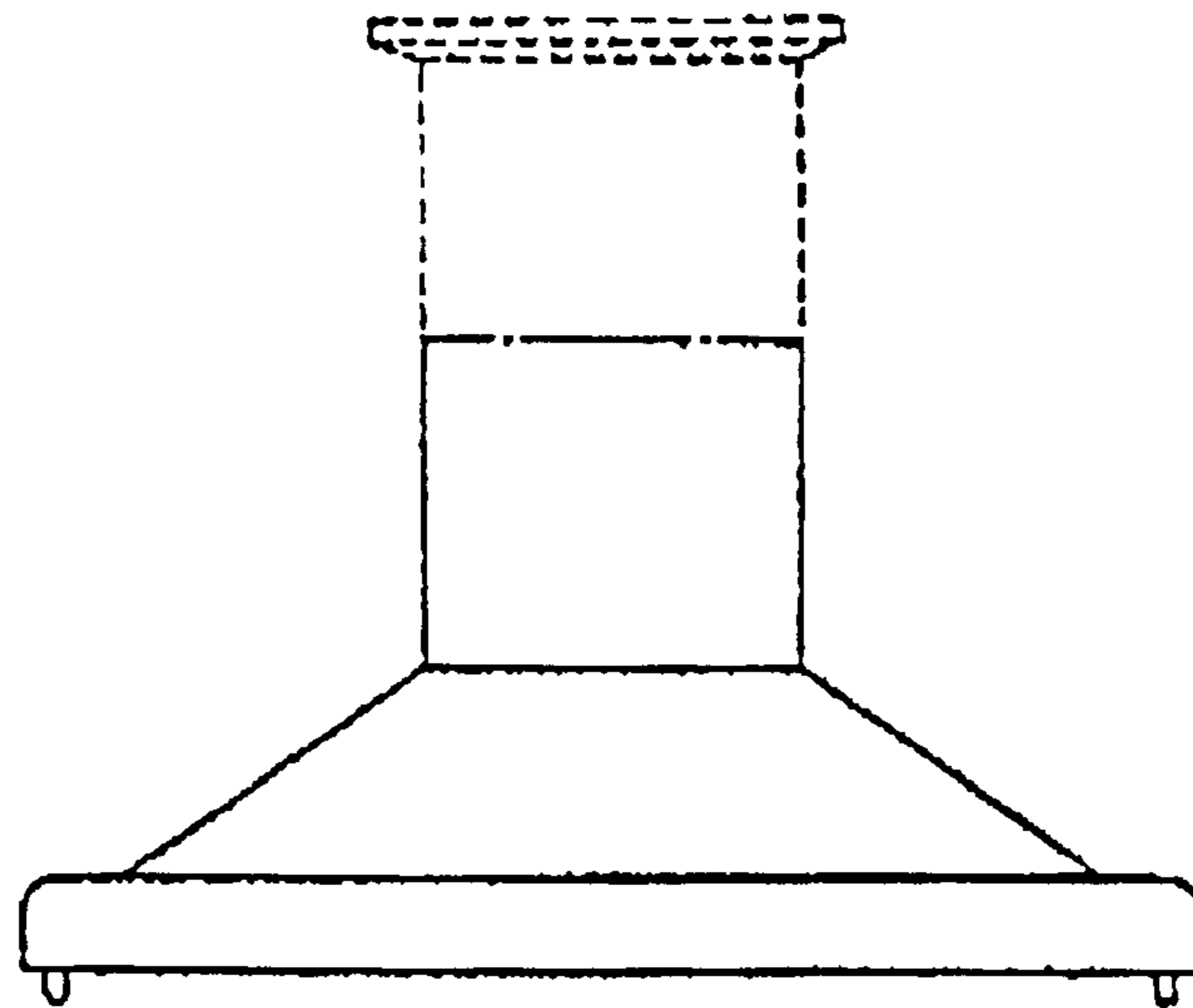


FIG. 3

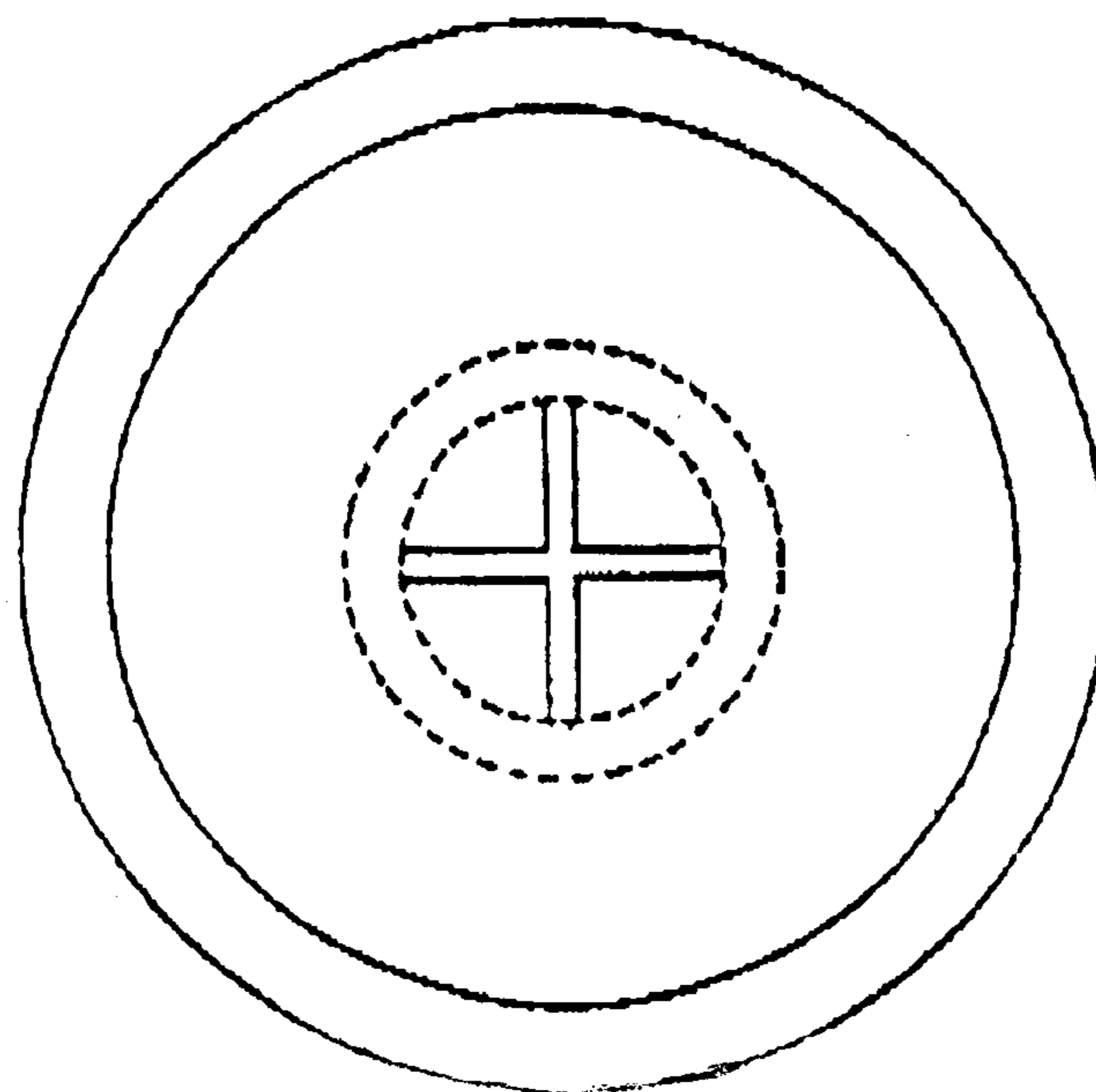


FIG. 4

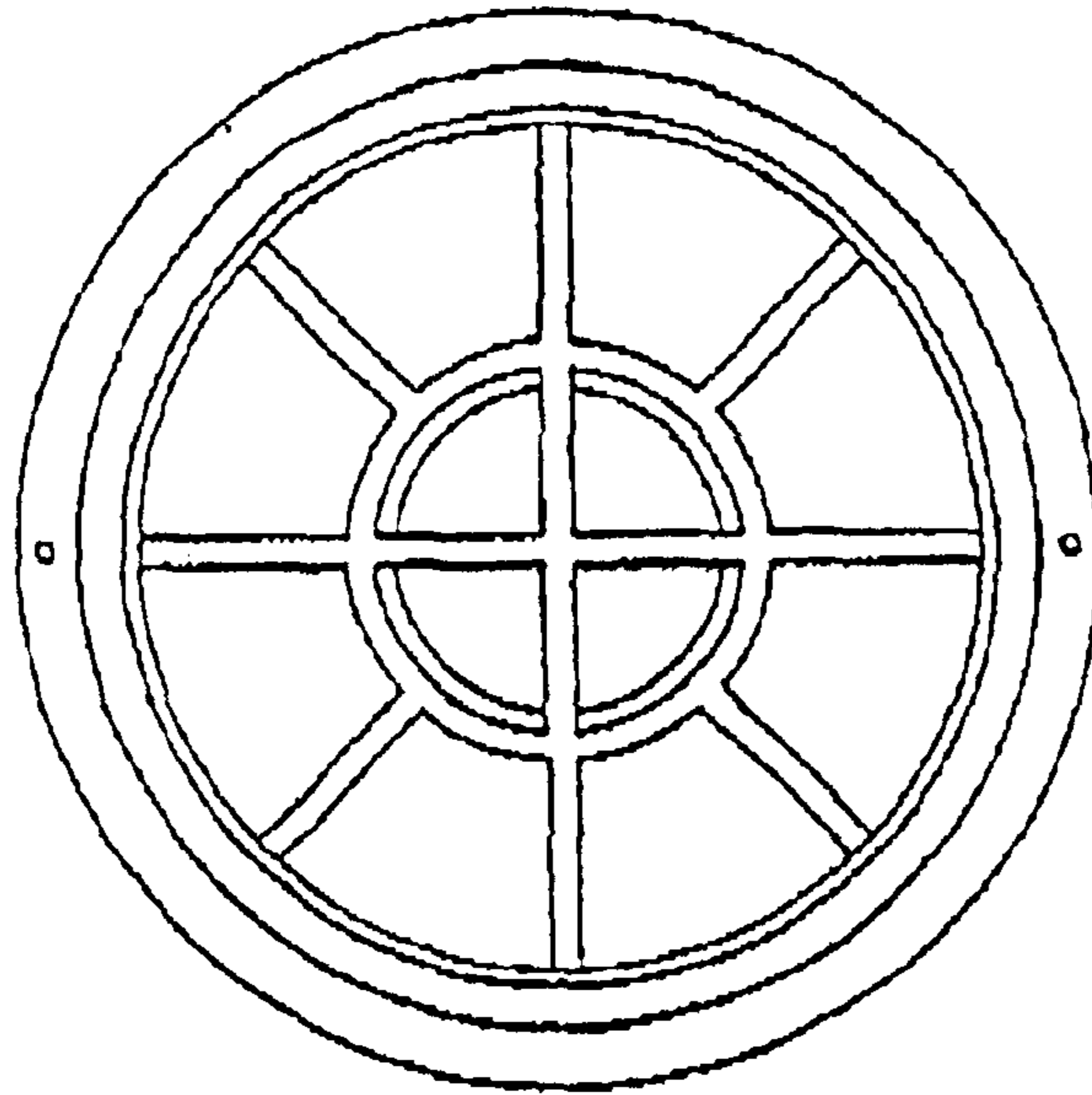


FIG. 5

