

US00D507030S

(12) **United States Design Patent**  
**Burrows**

(10) **Patent No.: US D507,030 S**  
(45) **Date of Patent: \*\* Jul. 5, 2005**

- (54) **WOOD TYPE HEAD FOR A GOLF CLUB**
- (75) Inventor: **Bruce D. Burrows**, Santa Clarita, CA (US)
- (73) Assignee: **Burrows Golf, LLC**, Valencia, CA (US)
- (\*\*) Term: **14 Years**

D390,295 S	2/1998	Burrows	
D392,354 S	3/1998	Burrows	
D397,749 S	9/1998	Burrows	
D401,299 S	11/1998	Burrows	
5,851,159 A	12/1998	Burrows	
D413,642 S	9/1999	Burrows	
D413,953 S	9/1999	Burrows	
D422,659 S	* 4/2000	Mertens	..... D21/745
D437,903 S	* 2/2001	Cope	..... D21/752
6,422,951 B1	7/2002	Burrows	
D465,251 S	* 11/2002	Wood et al.	..... D21/752

- (21) Appl. No.: **29/191,076**
- (22) Filed: **Sep. 30, 2003**

**Related U.S. Application Data**

- (62) Division of application No. 29/170,122, filed on Oct. 30, 2002, now Pat. No. Des. 487,125.
- (51) **LOC (8) Cl.** ..... **21-02**
- (52) **U.S. Cl.** ..... **D21/752**
- (58) **Field of Search** ..... D21/733, 752;  
473/324, 327-331, 343, 344

**References Cited**

**U.S. PATENT DOCUMENTS**

1,541,128 A	*	6/1925	Dunn	.....	473/345
1,588,617 A	*	6/1926	Rose	.....	473/343
3,374,027 A	*	3/1968	Jacobs	.....	473/286
4,511,145 A	*	4/1985	Schmidt	.....	473/346
D354,103 S	*	1/1995	Allen	.....	D21/752
D356,356 S	*	3/1995	Jacobs	.....	D21/744
D364,666 S	*	11/1995	Nagy	.....	D21/743
D366,919 S	*	2/1996	Jacobs	.....	D21/745
D385,003 S		10/1997	Burrows		
D390,294 S		2/1998	Burrows		

\* cited by examiner

*Primary Examiner*—Mitchell Siegel

(74) *Attorney, Agent, or Firm*—Kelly Lowry & Kelley, LLP

(57) **CLAIM**

The ornamental design for a wood type head for a golf club, as shown and described.

**DESCRIPTION**

FIG. 1 is a perspective view showing the bottom, front and toe end sides of a wood-type head for a golf club embodying the new design;

FIG. 2 is a front elevational view thereof;

FIG. 3 is a toe end elevational view thereof;

FIG. 4 is a heel end elevational view thereof;

FIG. 5 is a rear elevational view thereof;

FIG. 6 is a top plan view thereof; and,

FIG. 7 is a bottom plan view thereof.

The broken line showings of a fragmented golf club shaft and a faceplate groove pattern are for illustrative purposes only and form no part of the claimed design.

**1 Claim, 4 Drawing Sheets**

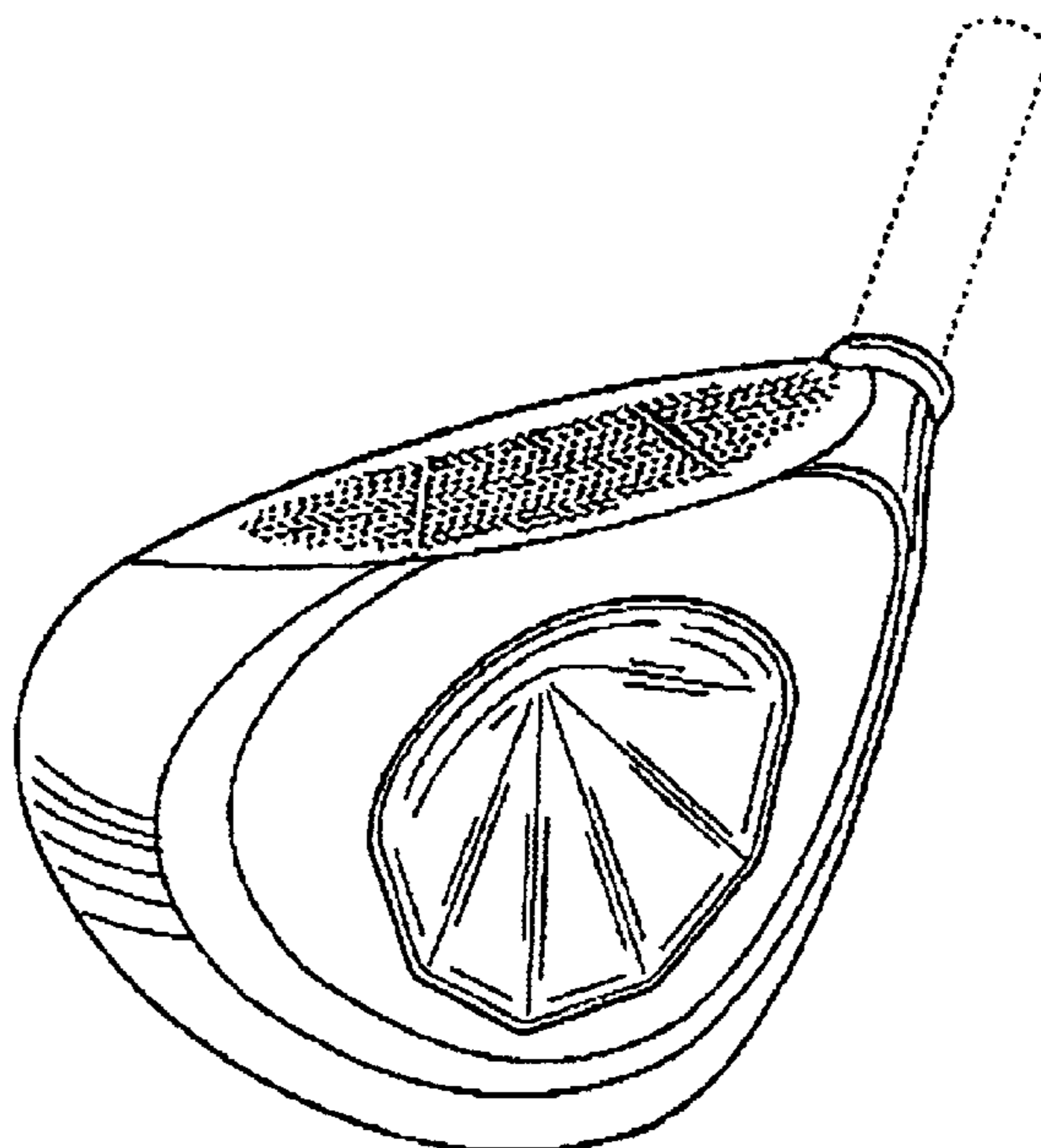


FIG. 1

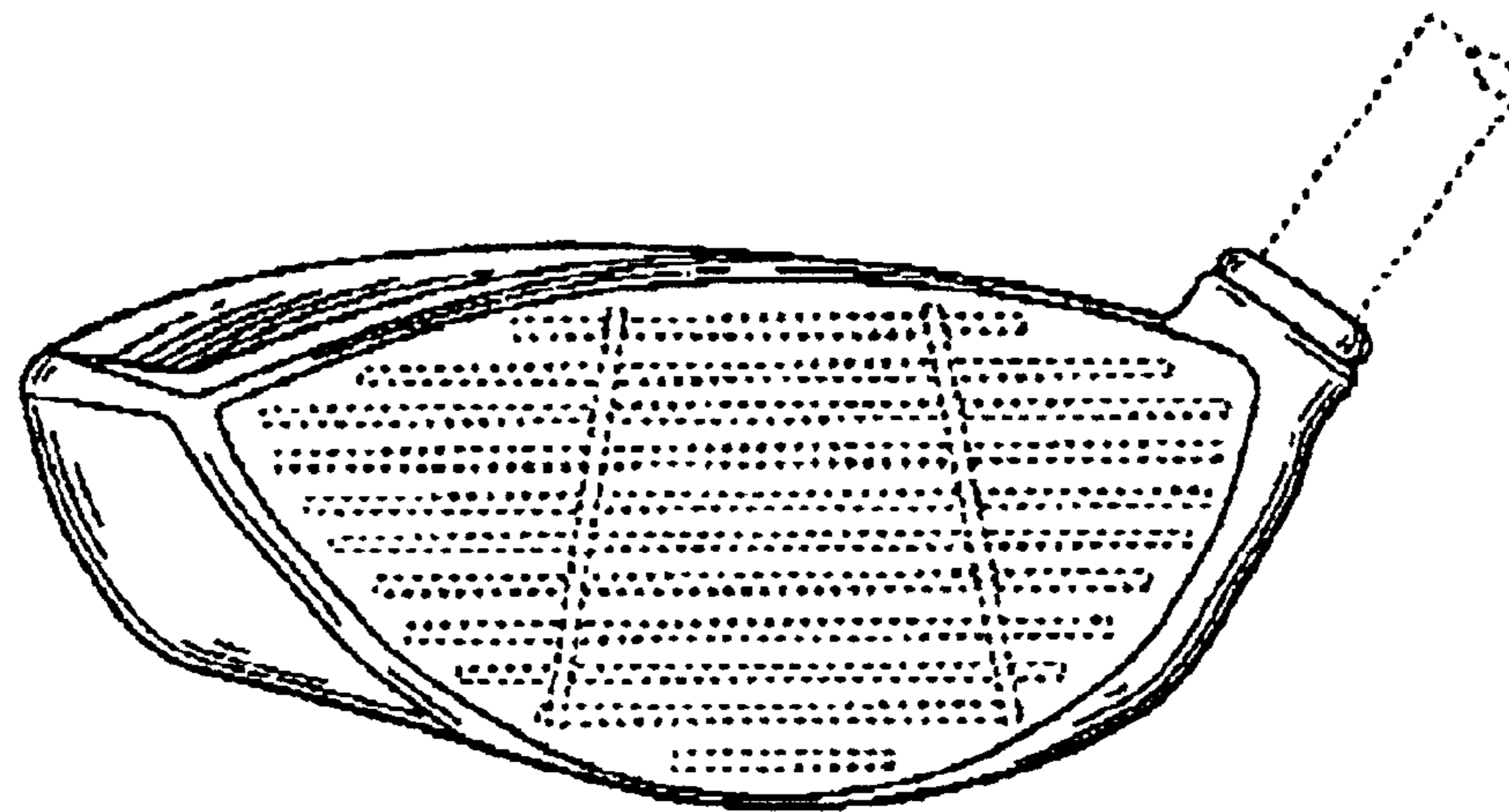
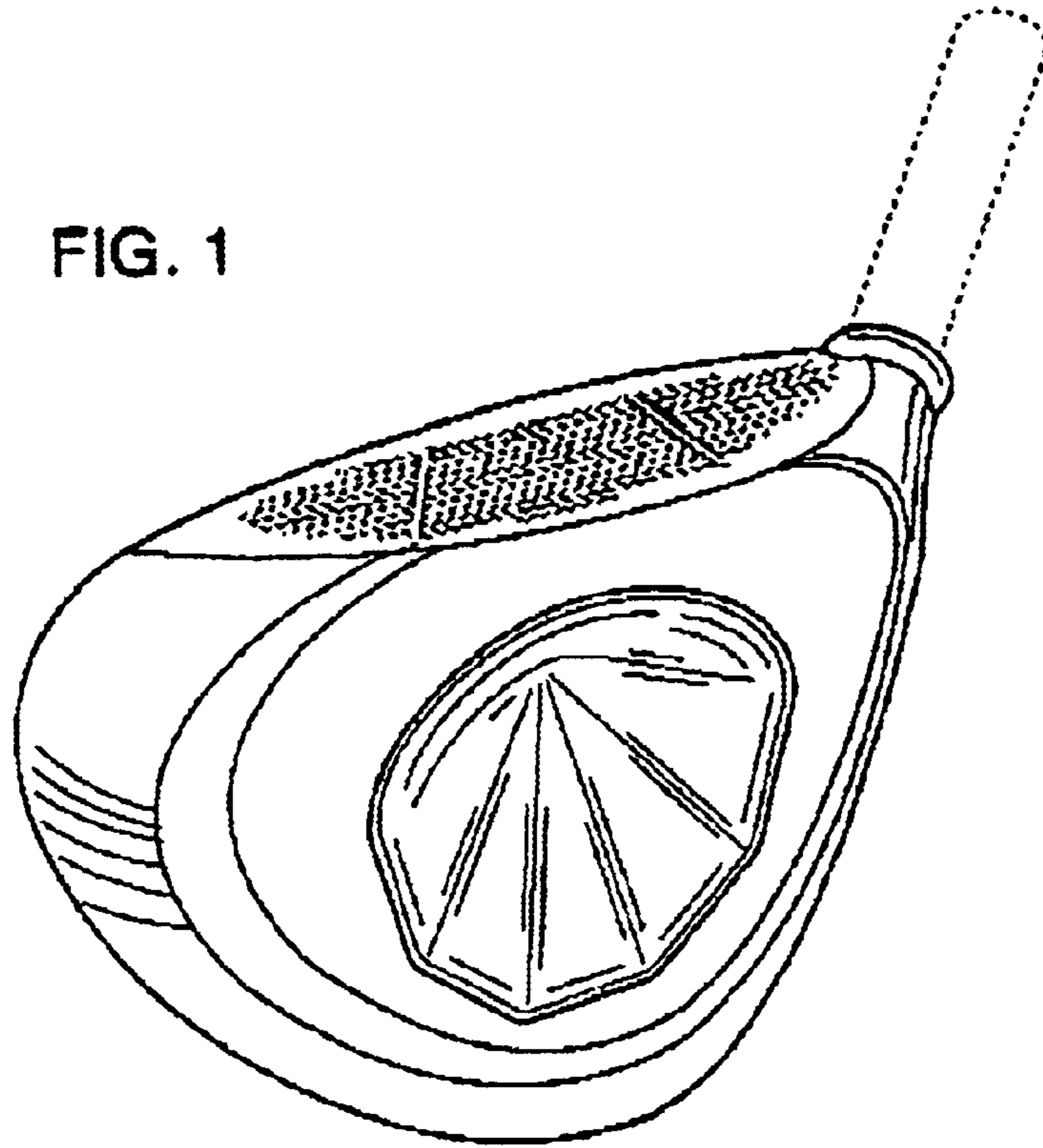


FIG. 2

FIG. 3

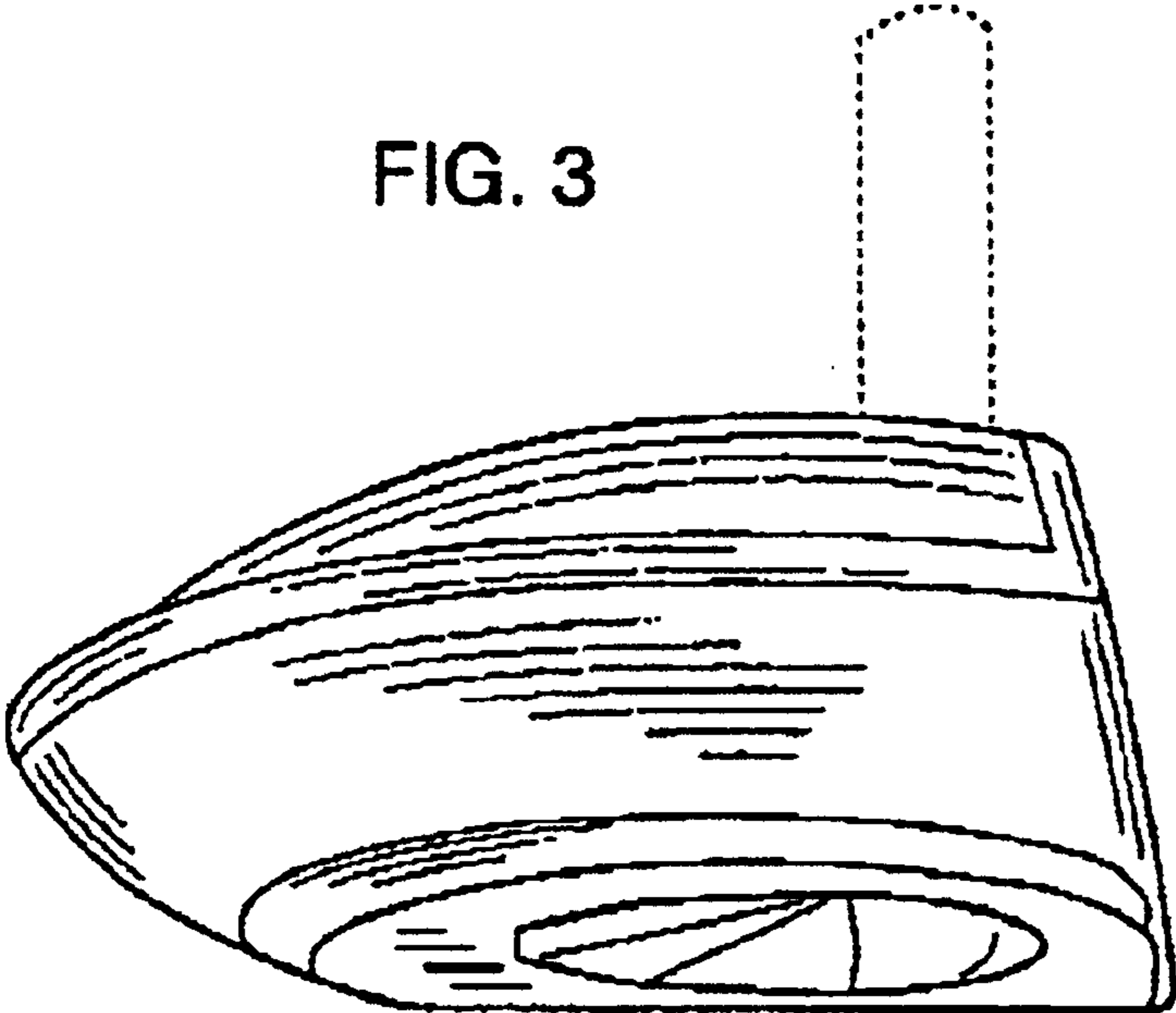


FIG. 4

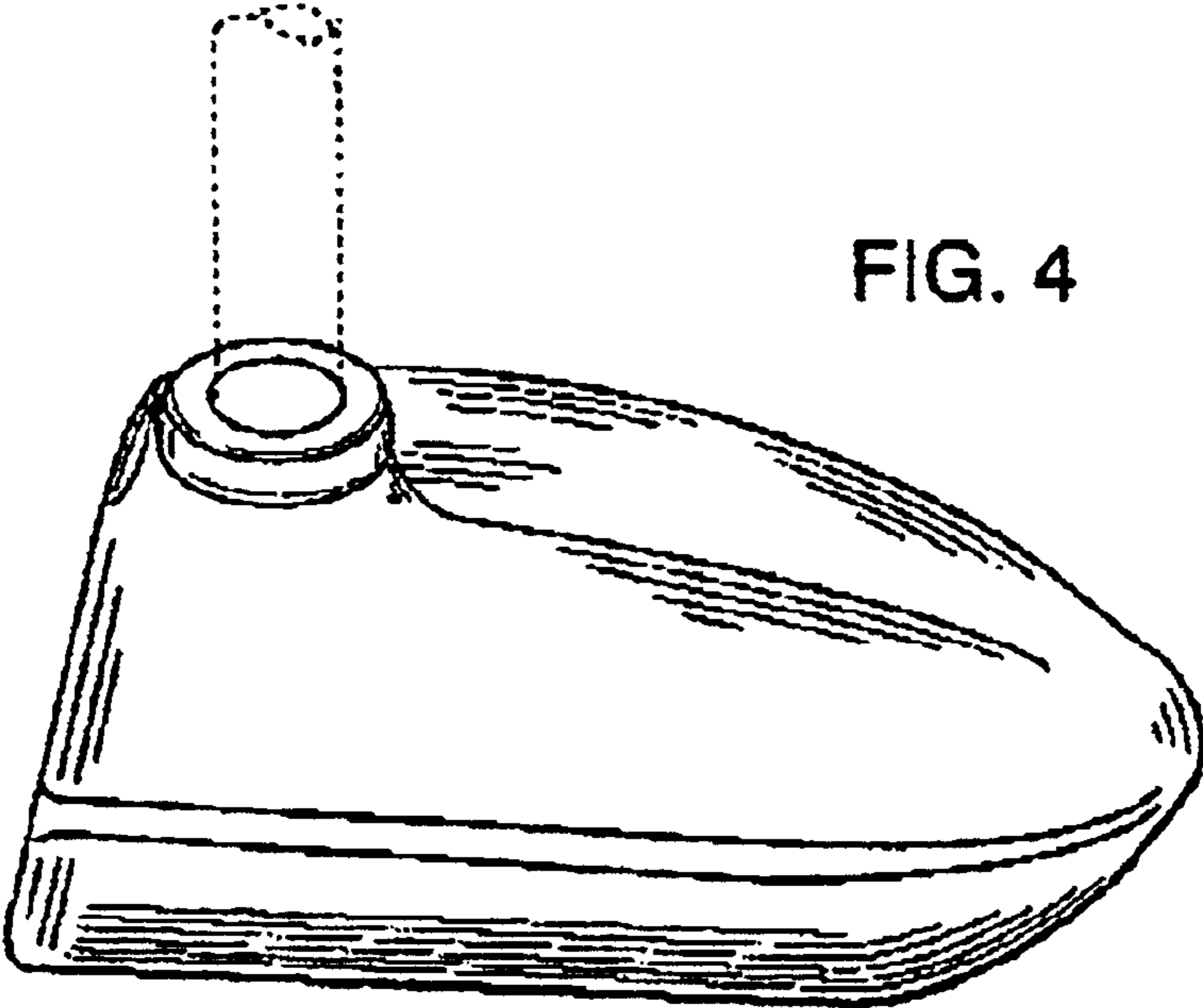


FIG. 5

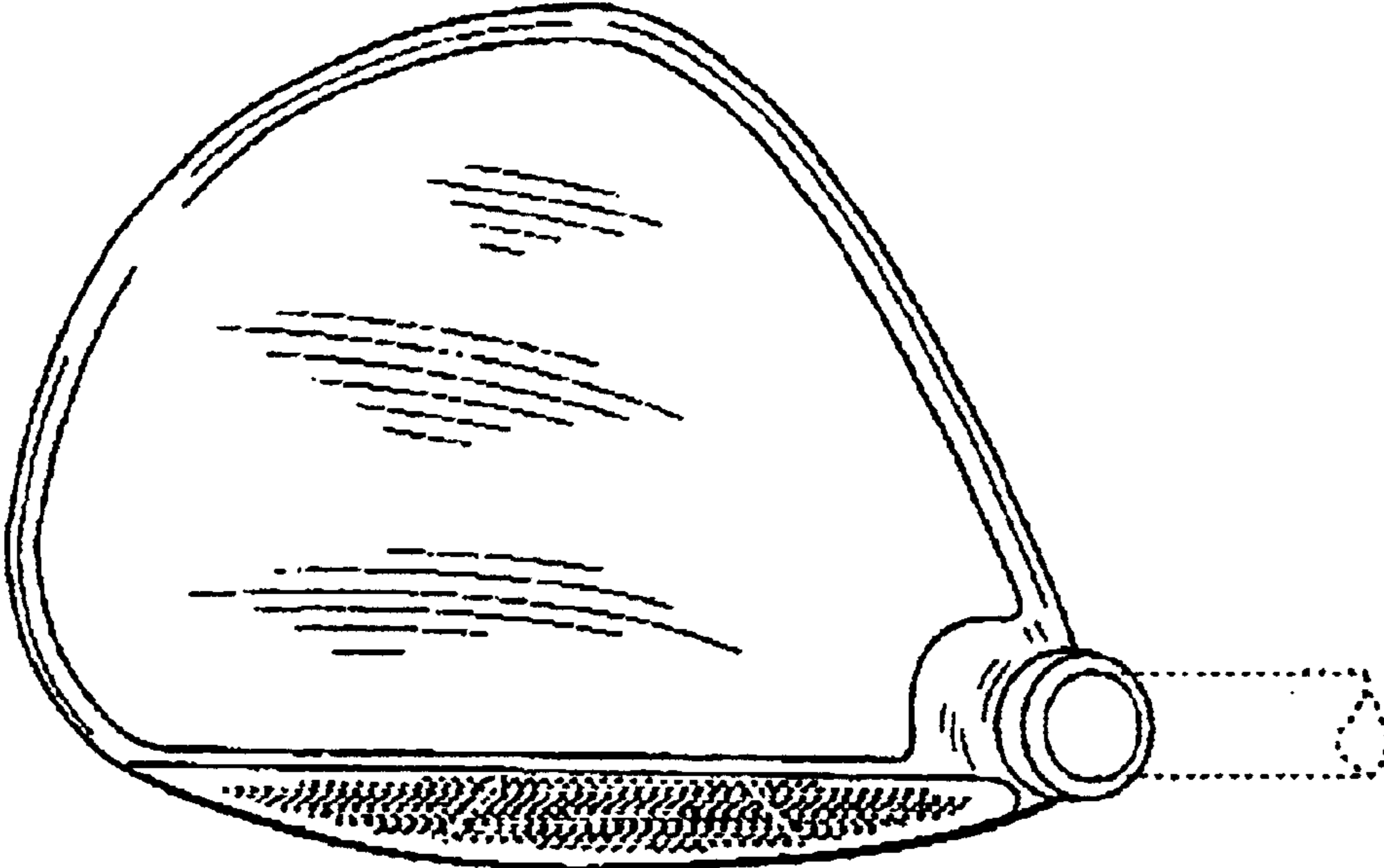
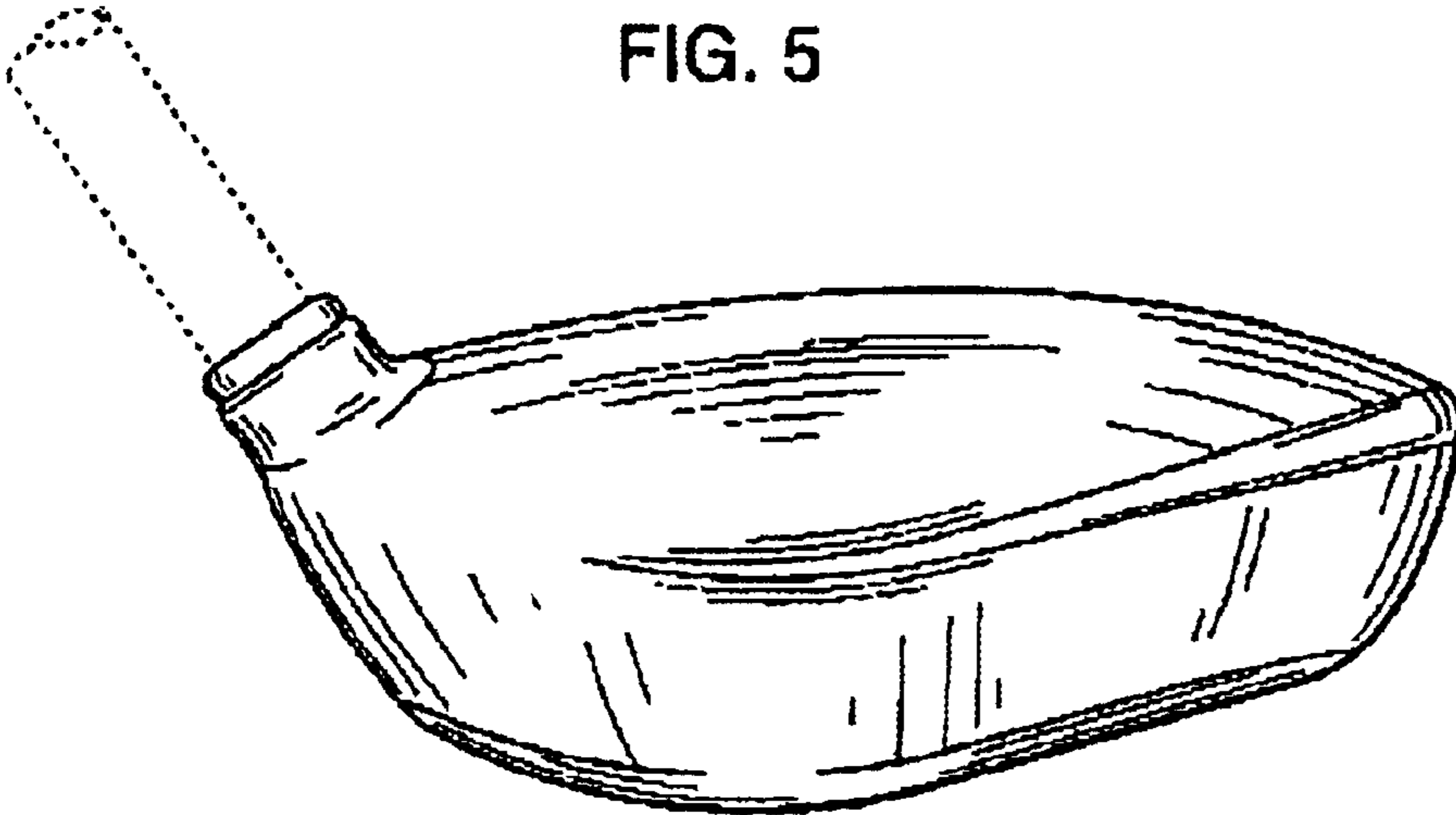


FIG. 6

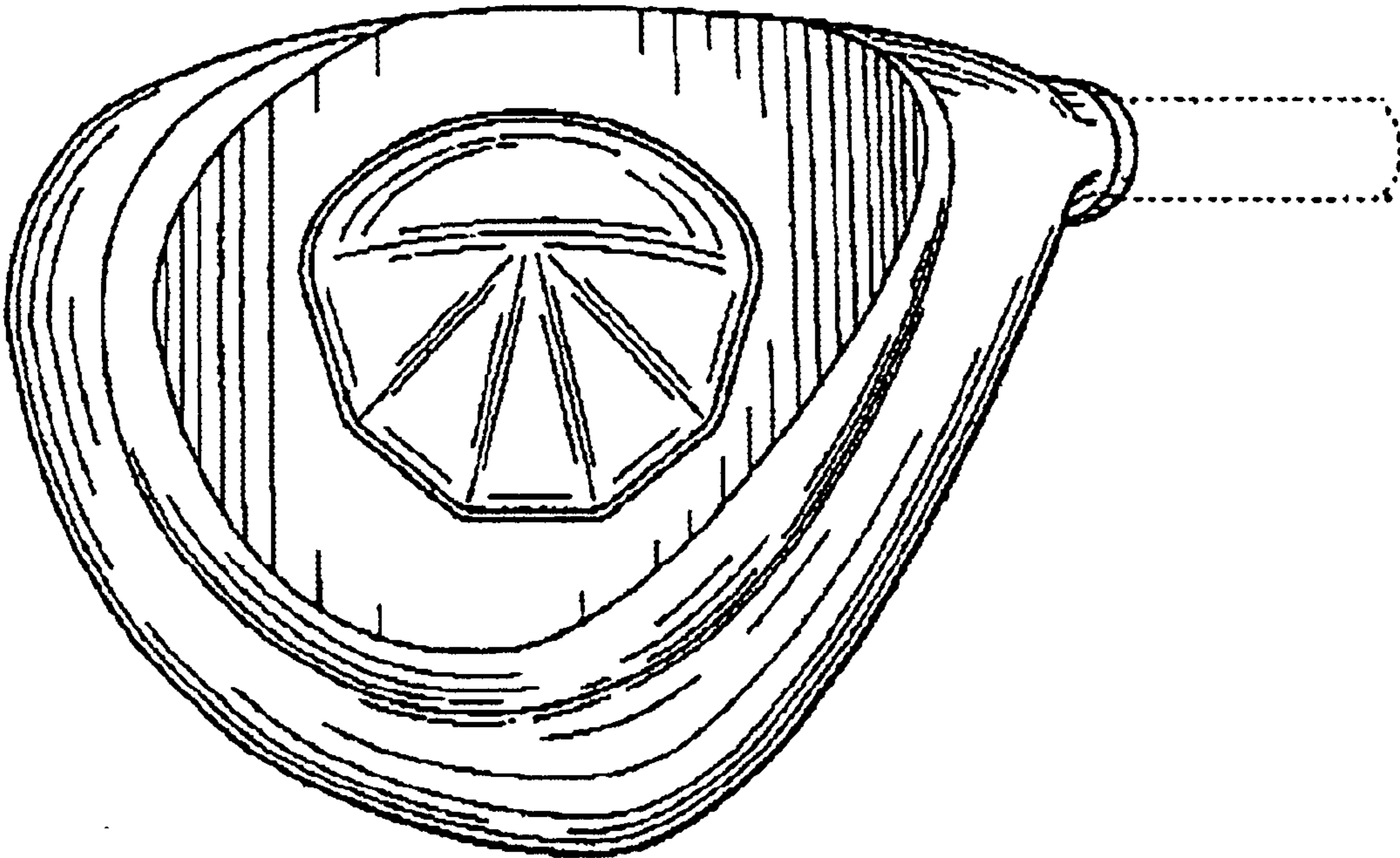


FIG. 7