

US00D507028S

(12) **United States Design Patent**
Kriser, II

(10) **Patent No.:** **US D507,028 S**

(45) **Date of Patent:** **** Jul. 5, 2005**

(54) **GOLF CLUB PUTTER HEAD**

(75) **Inventor:** **John Arthur Kriser, II**, Queen Creek, AZ (US)

(73) **Assignee:** **The Putter Company, TPC LLC**, Queen Creek, AZ (US)

(**) **Term:** **14 Years**

(21) **Appl. No.:** **29/202,209**

(22) **Filed:** **Mar. 26, 2004**

(51) **LOC (8) Cl.** **21-02**

(52) **U.S. Cl.** **D21/736**

(58) **Field of Search** D21/736-746;
473/324-331, 251-256, 340, 341, 236

(56) **References Cited**

U.S. PATENT DOCUMENTS

3,194,564 A	*	7/1965	Swan	473/236
D209,294 S	*	11/1967	Hitt	D21/745
4,034,989 A	*	7/1977	Stewart	473/252
D269,537 S	*	6/1983	Tucker	D21/741
4,650,191 A	*	3/1987	Mills	473/341
4,741,535 A	*	5/1988	Leonhardt	473/252
4,871,174 A	*	10/1989	Kobayashi	473/252
D323,867 S	*	2/1992	Rizzotto	D21/740

5,135,229 A	*	8/1992	Archer	473/236
5,409,219 A	*	4/1995	Saksun, Sr.	473/305
5,551,695 A	*	9/1996	Wolk	473/236
5,993,324 A	*	11/1999	Gammil	473/251
D458,658 S	*	6/2002	Jung	D21/744
6,428,423 B1		8/2002	Merko	

* cited by examiner

Primary Examiner—Mitchell Siegel

(74) *Attorney, Agent, or Firm*—Edward J. Mischen

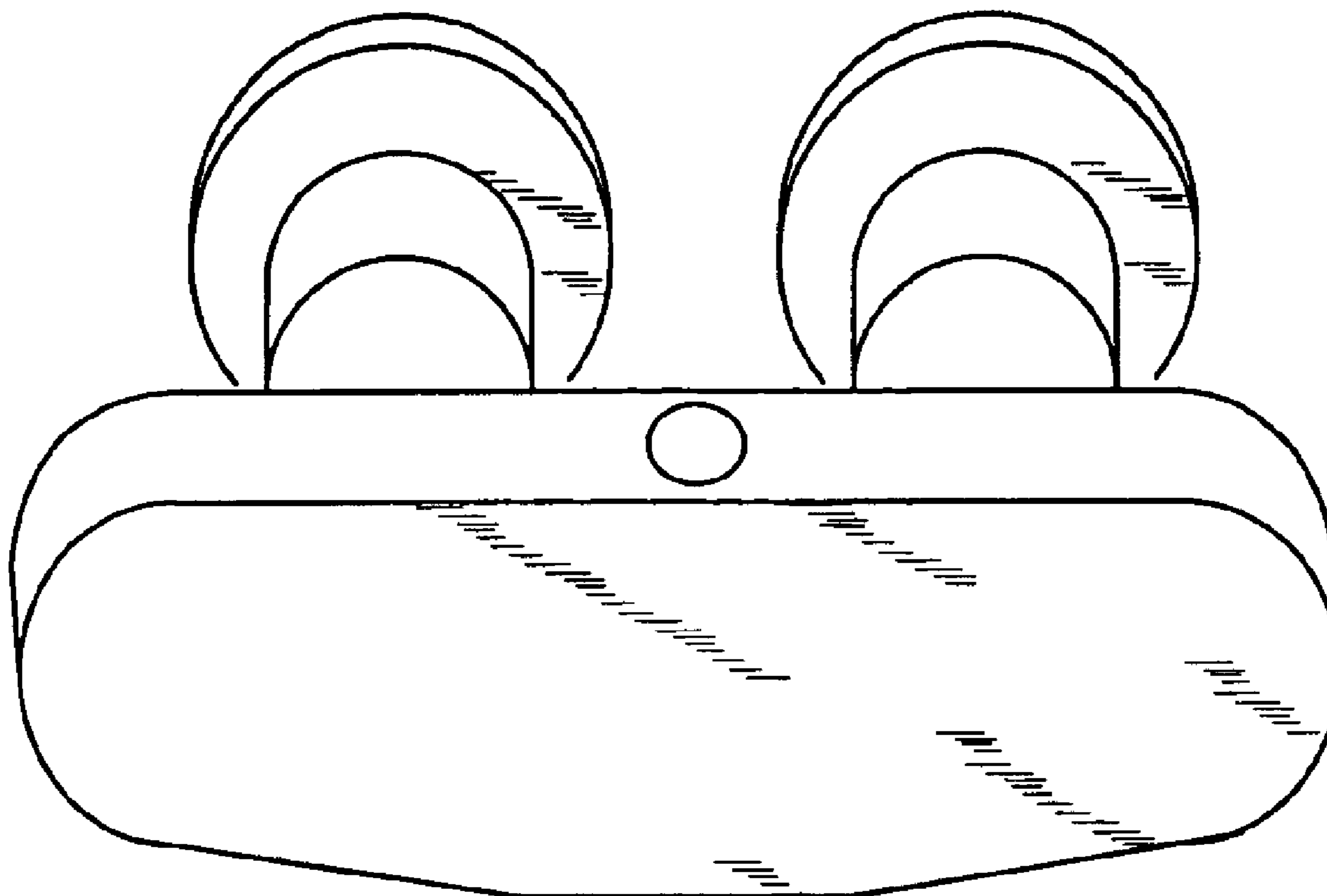
(57) **CLAIM**

The ornamental design for a golf club putter head, as shown and described.

DESCRIPTION

FIG. 1 is a top planar view of a golf club putter head showing my new design; FIG. 2 is a right side elevational view thereof; FIG. 3 is a front elevational view thereof; FIG. 4 is a rear elevational view thereof; and, FIG. 5 is a front / top angular view thereof. The left side elevational view of said golf putter head is a mirror image of said right side elevational view. The bottom planar view of said golf club putter head is not visible in application.

1 Claim, 3 Drawing Sheets



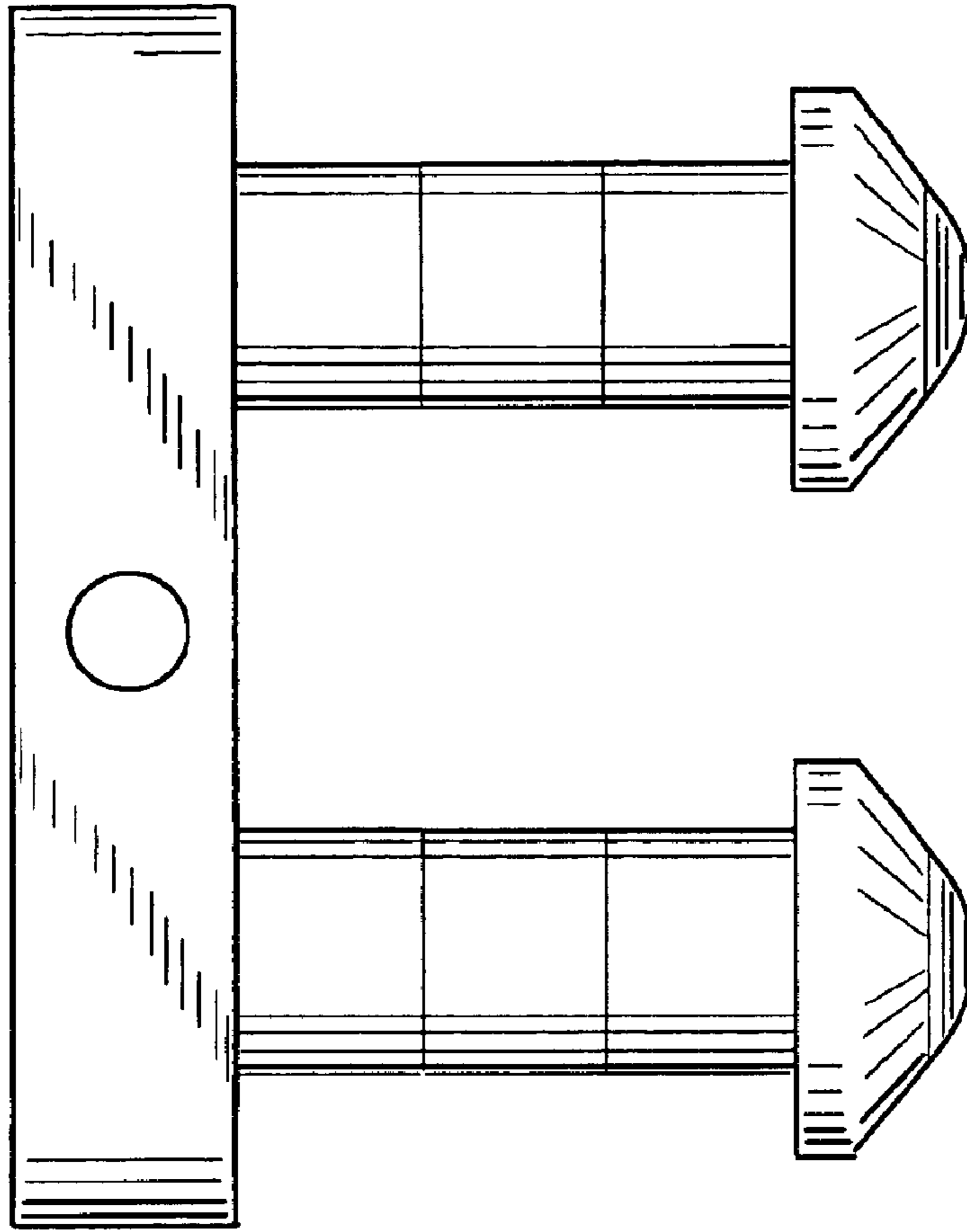


FIG. 1

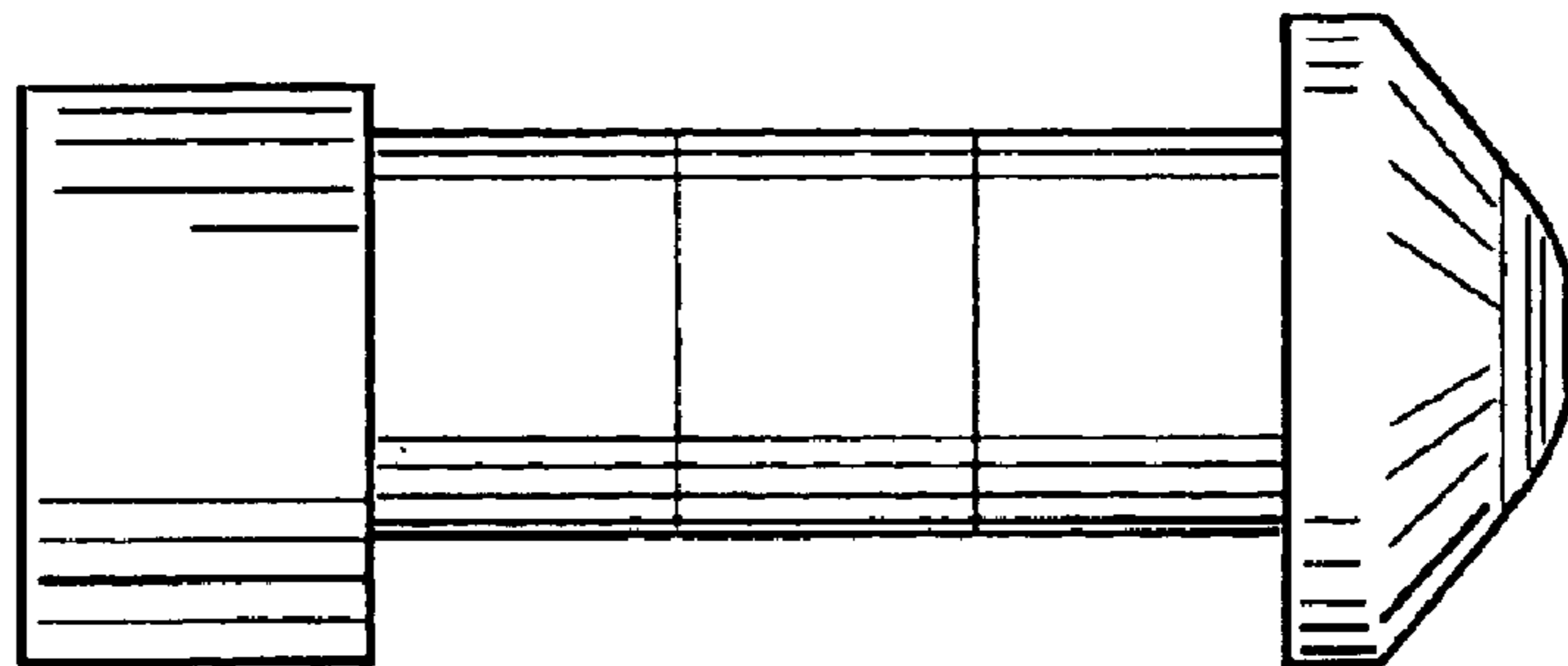


FIG. 2

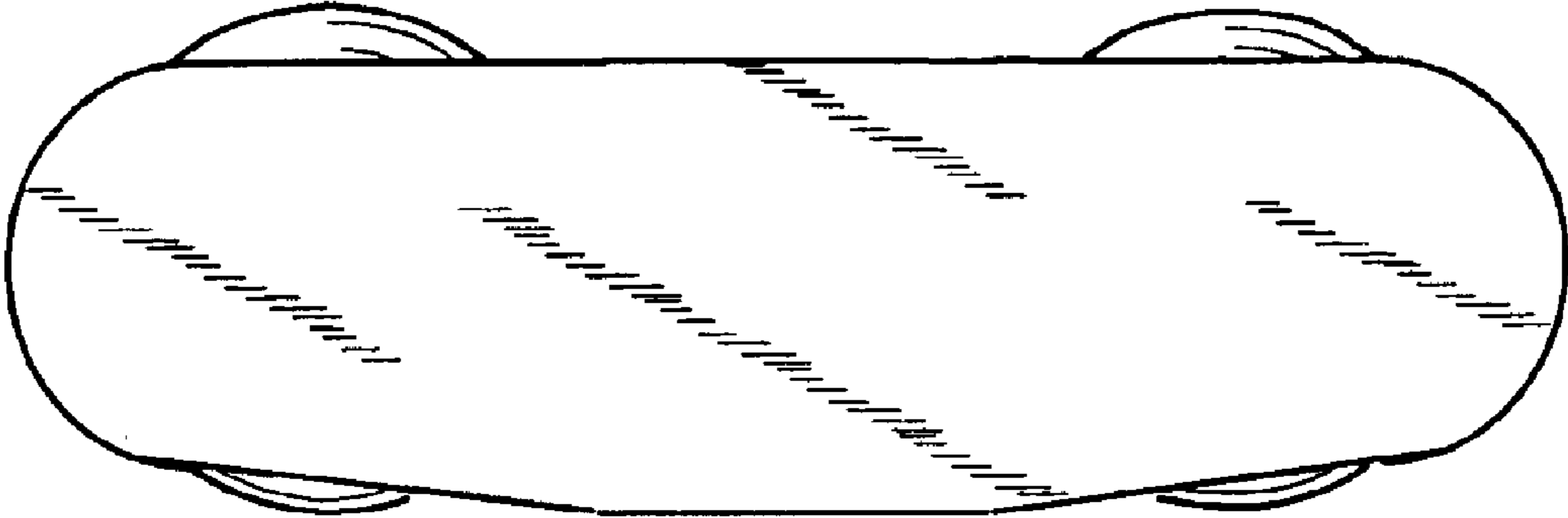


FIG. 3

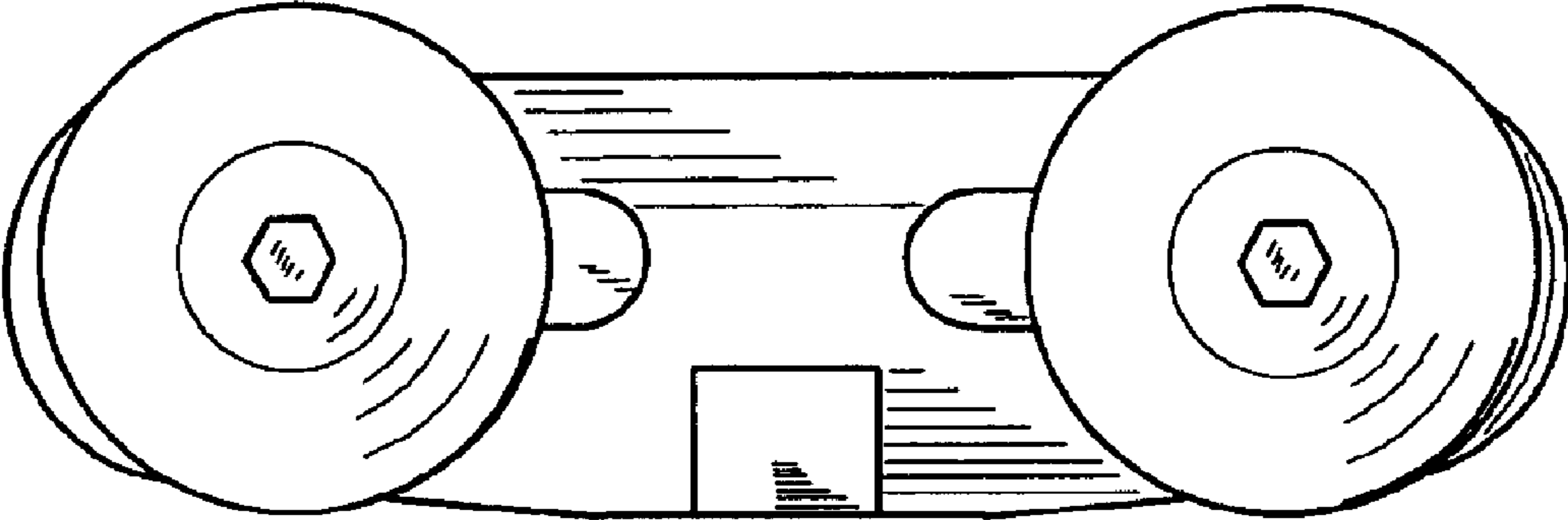


FIG. 4

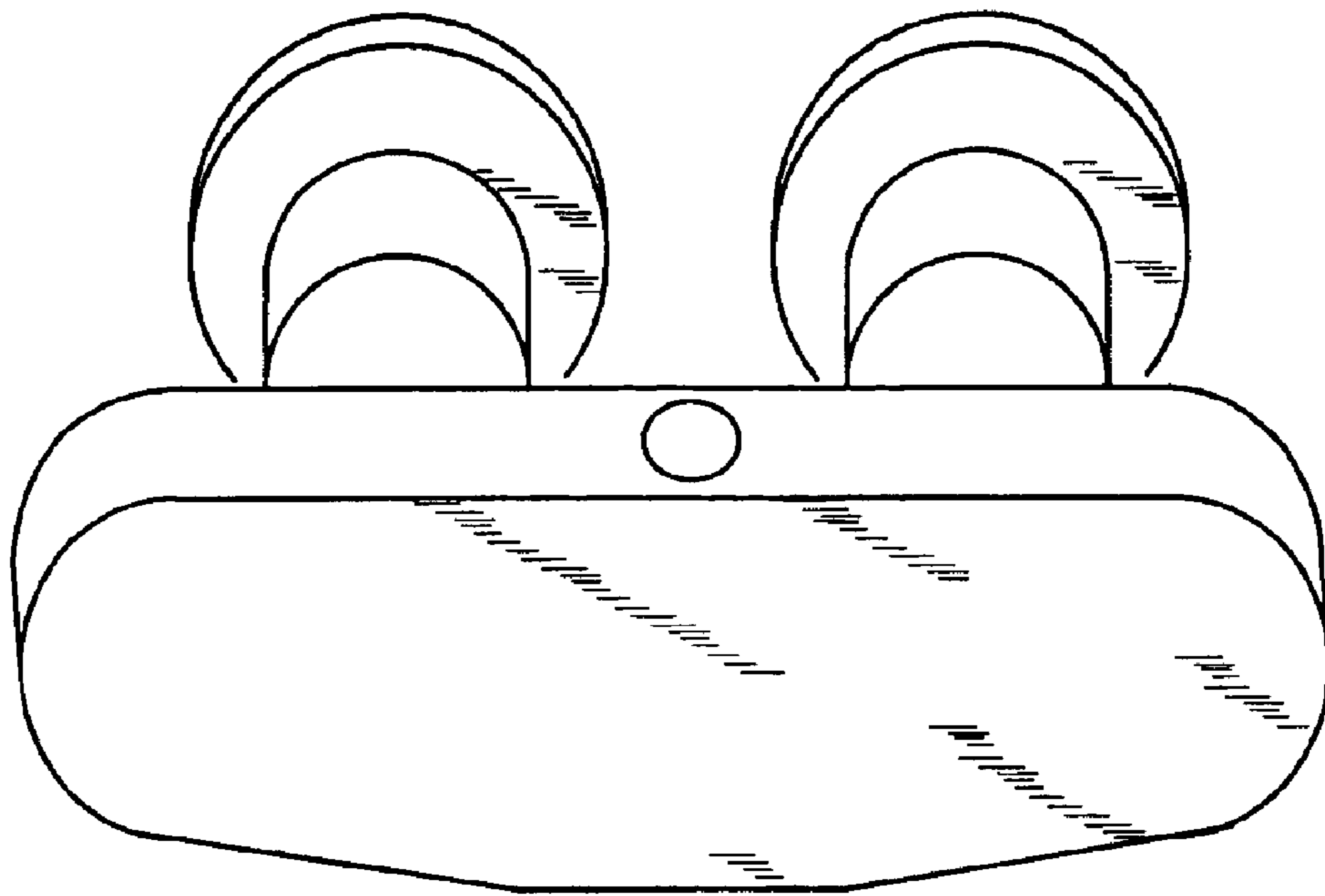


FIG. 5