

US00D507025S

(12) **United States Design Patent**
Husted et al.

(10) **Patent No.:** **US D507,025 S**
(45) **Date of Patent:** **** Jul. 5, 2005**

(54) **GLIDER TYPE EXERCISE DEVICE**

(76) Inventors: **Royce H. Husted**, 1294 Elkton Farm Rd., Forest, VA (US) 24551; **Joel P. Husted**, 1293 Elkton Farm Rd., Forest, VA (US) 24551

(**) Term: **14 Years**

(21) Appl. No.: **29/182,158**

(22) Filed: **May 20, 2003**

(51) **LOC (8) Cl.** **21-02**

(52) **U.S. Cl.** **D21/668**

(58) **Field of Search** D21/662, 668,
D21/669, 670; 482/51, 52, 60

(56) **References Cited**

U.S. PATENT DOCUMENTS

5,496,235	A	*	3/1996	Stevens	482/51
D378,841	S	*	4/1997	Huang	D21/668
5,616,103	A	*	4/1997	Lee	482/51
D390,628	S	*	2/1998	Husted	D21/668
D391,610	S	*	3/1998	Husted	D21/668
D392,006	S	*	3/1998	Dalebout et al.	D21/668

D392,350	S	*	3/1998	Huang	D21/668
D393,296	S	*	4/1998	Lee	D21/668
5,792,027	A	*	8/1998	Gvoich	482/51
5,795,268	A	*	8/1998	Husted	482/51
6,030,319	A	*	2/2000	Wu	482/51

* cited by examiner

Primary Examiner—Philip S. Hyder

(74) *Attorney, Agent, or Firm*—Nicholas A. Camasto

(57) **CLAIM**

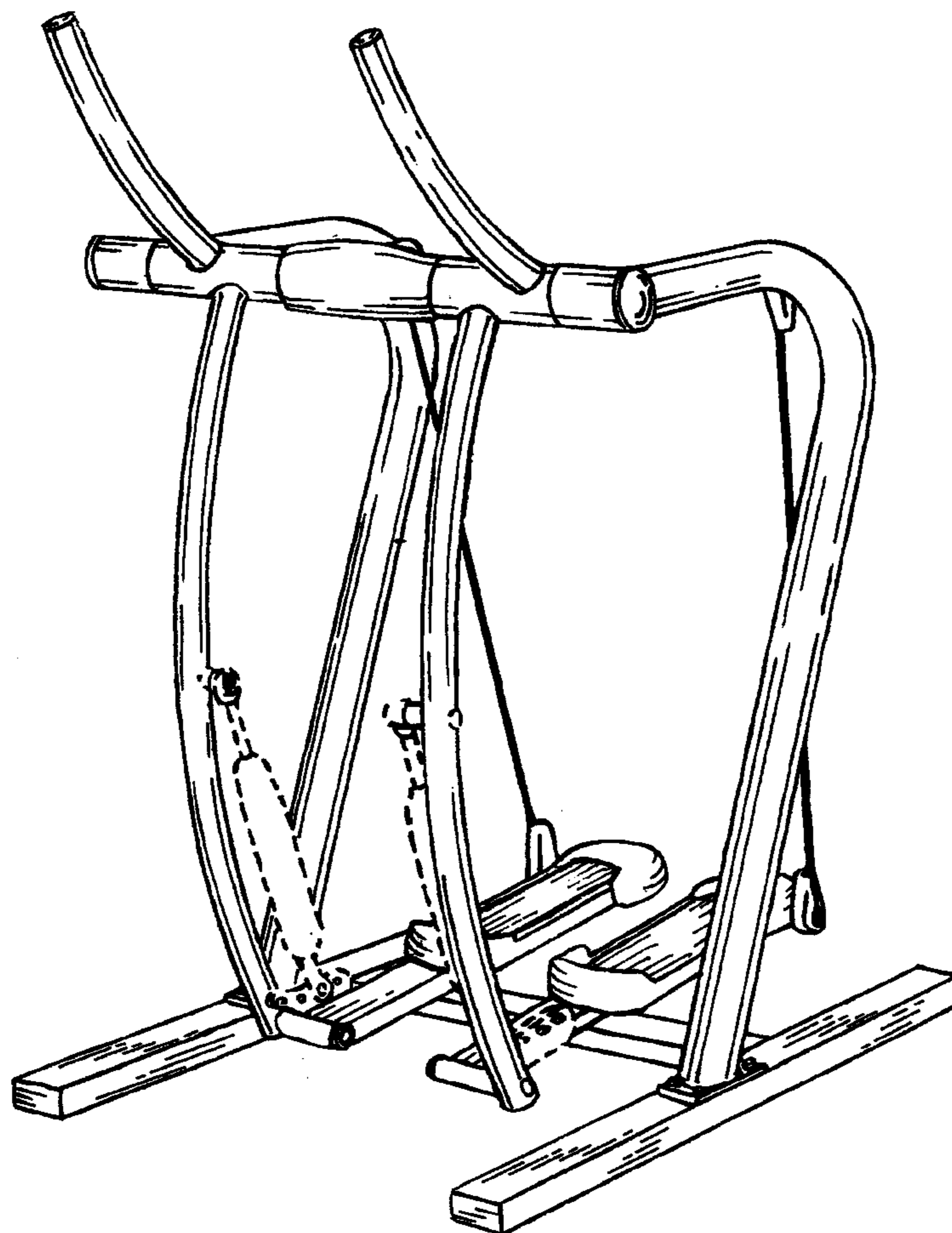
We claim the ornamental design for a glider type exercise device, as shown.

DESCRIPTION

FIG. 1 is a top, front and left side perspective view of a glider type exercise device showing our new design; FIG. 2 is a top plan view thereof; FIG. 3 left side elevational view thereof; FIG. 4 is a front elevational view thereof; and, FIG. 5 is a rear elevational view thereof.

The broken line portions of the disclosure are for illustrative purposes only and form no part of the claimed design.

1 Claim, 3 Drawing Sheets



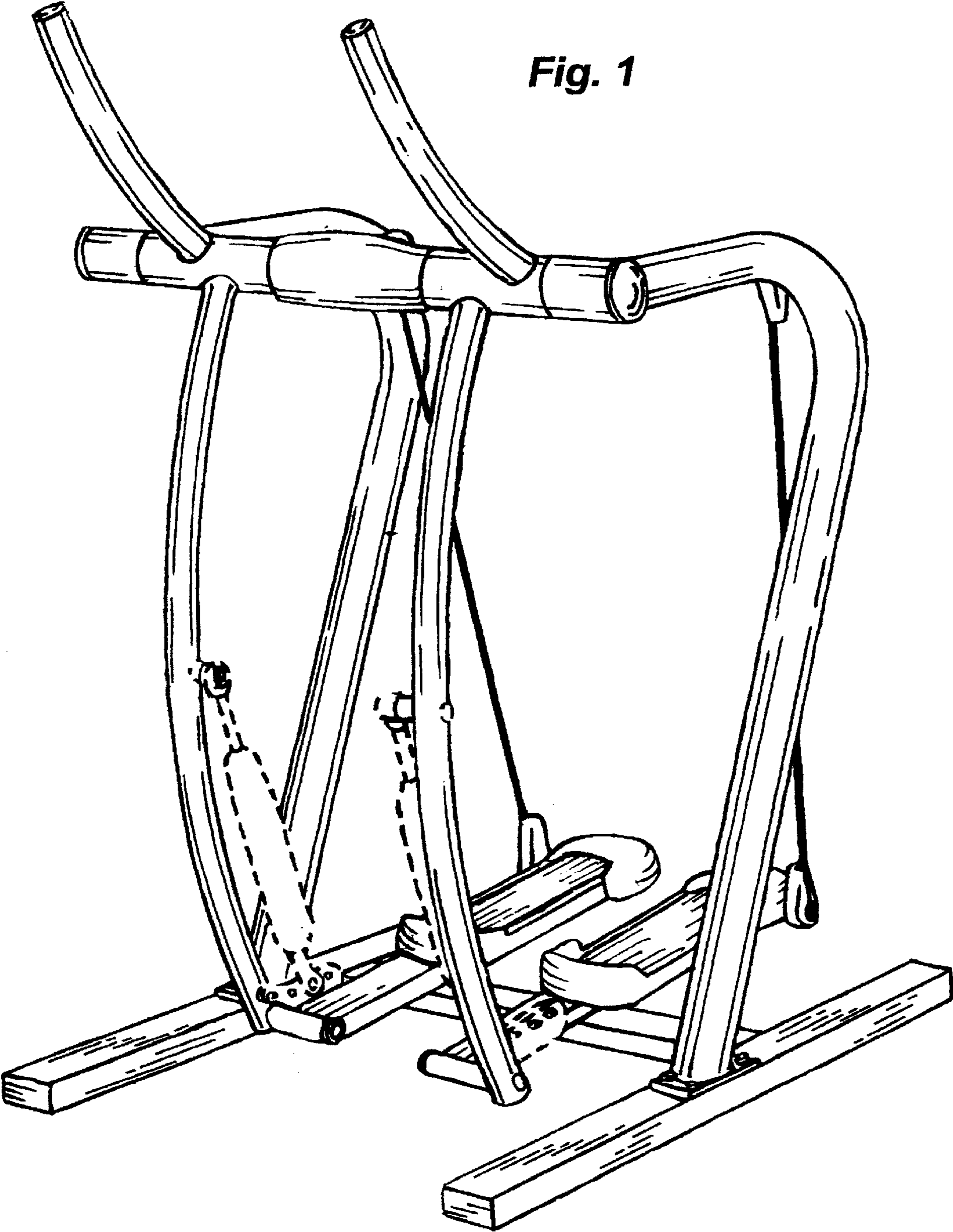


Fig. 3

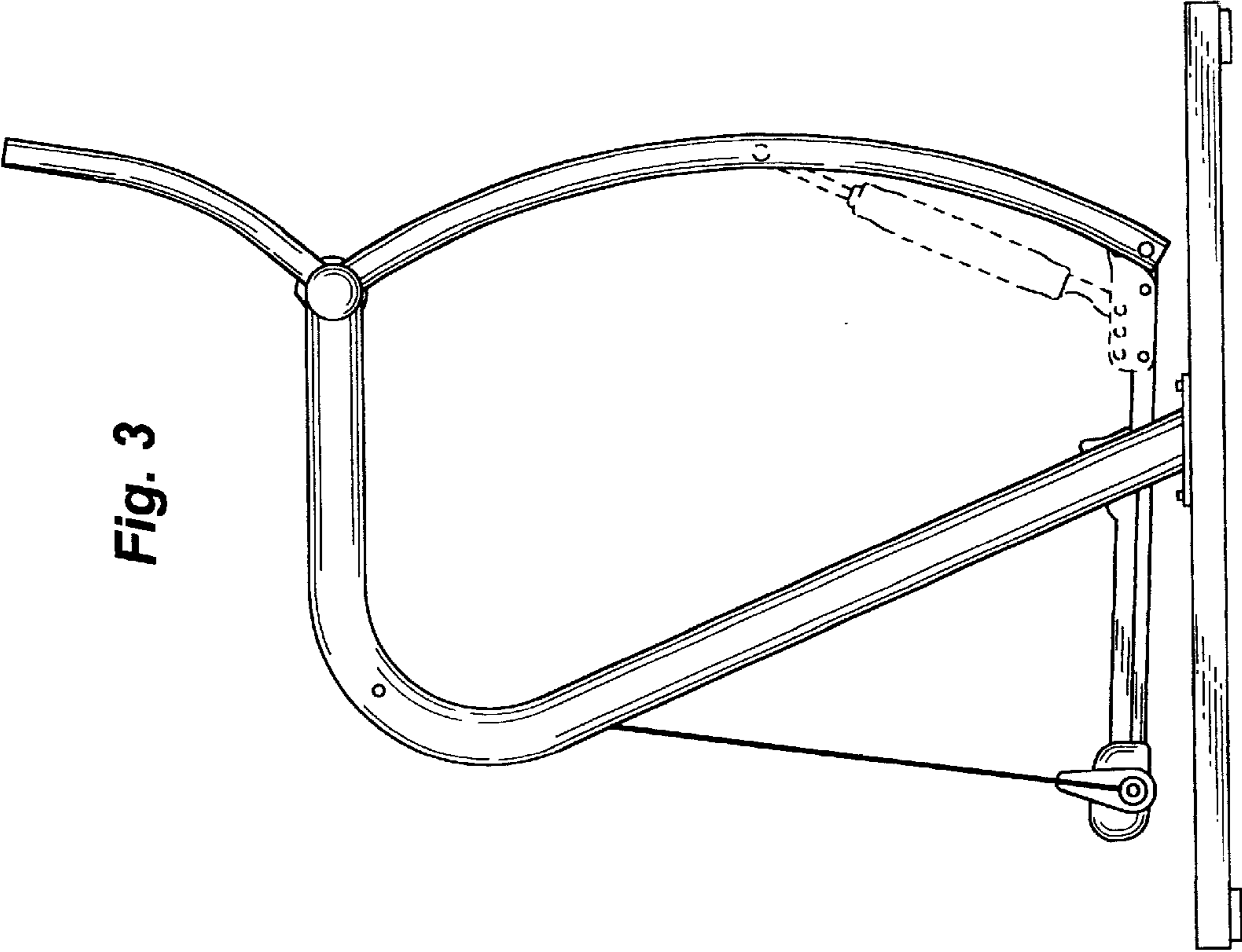


Fig. 2

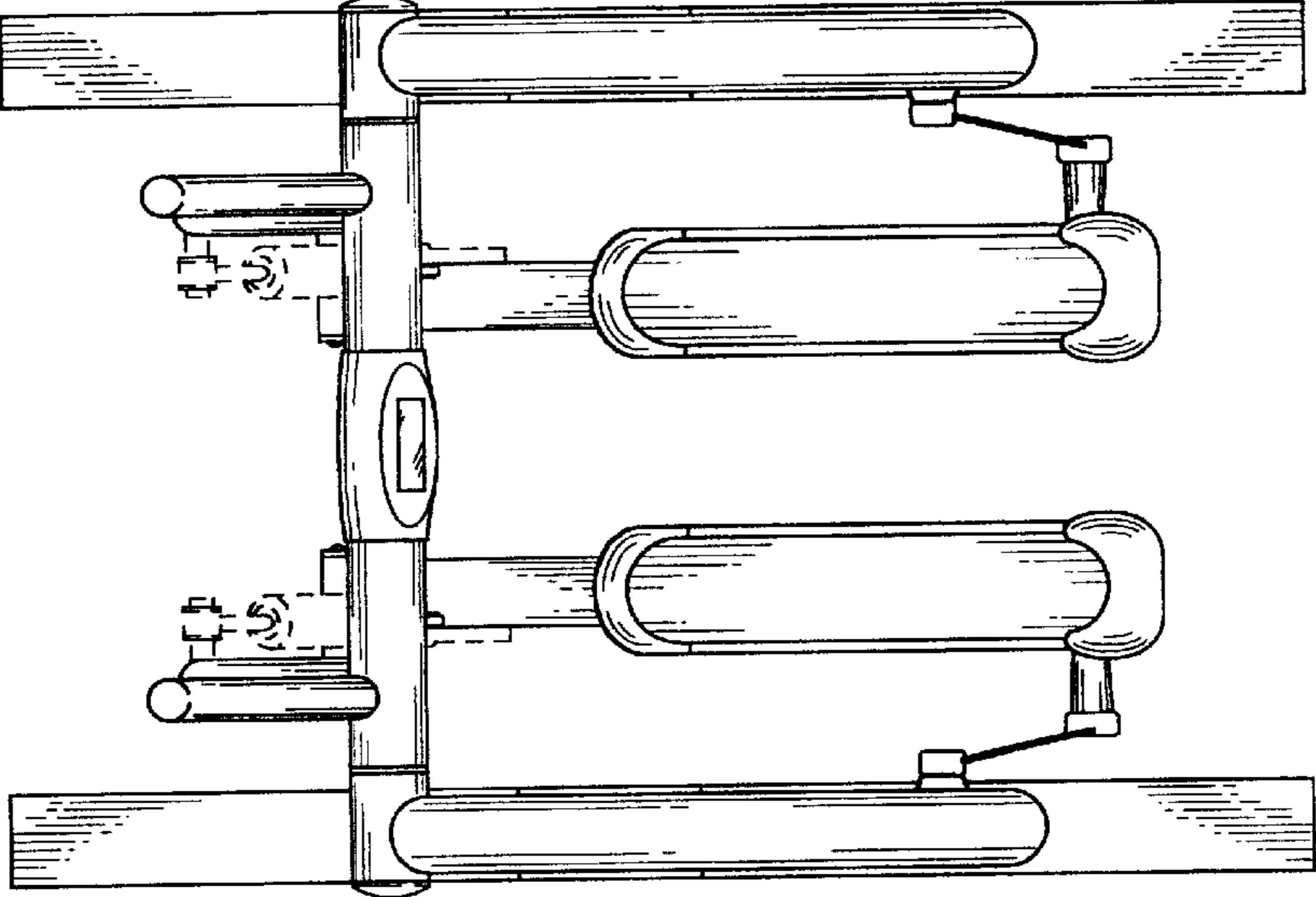


Fig. 5

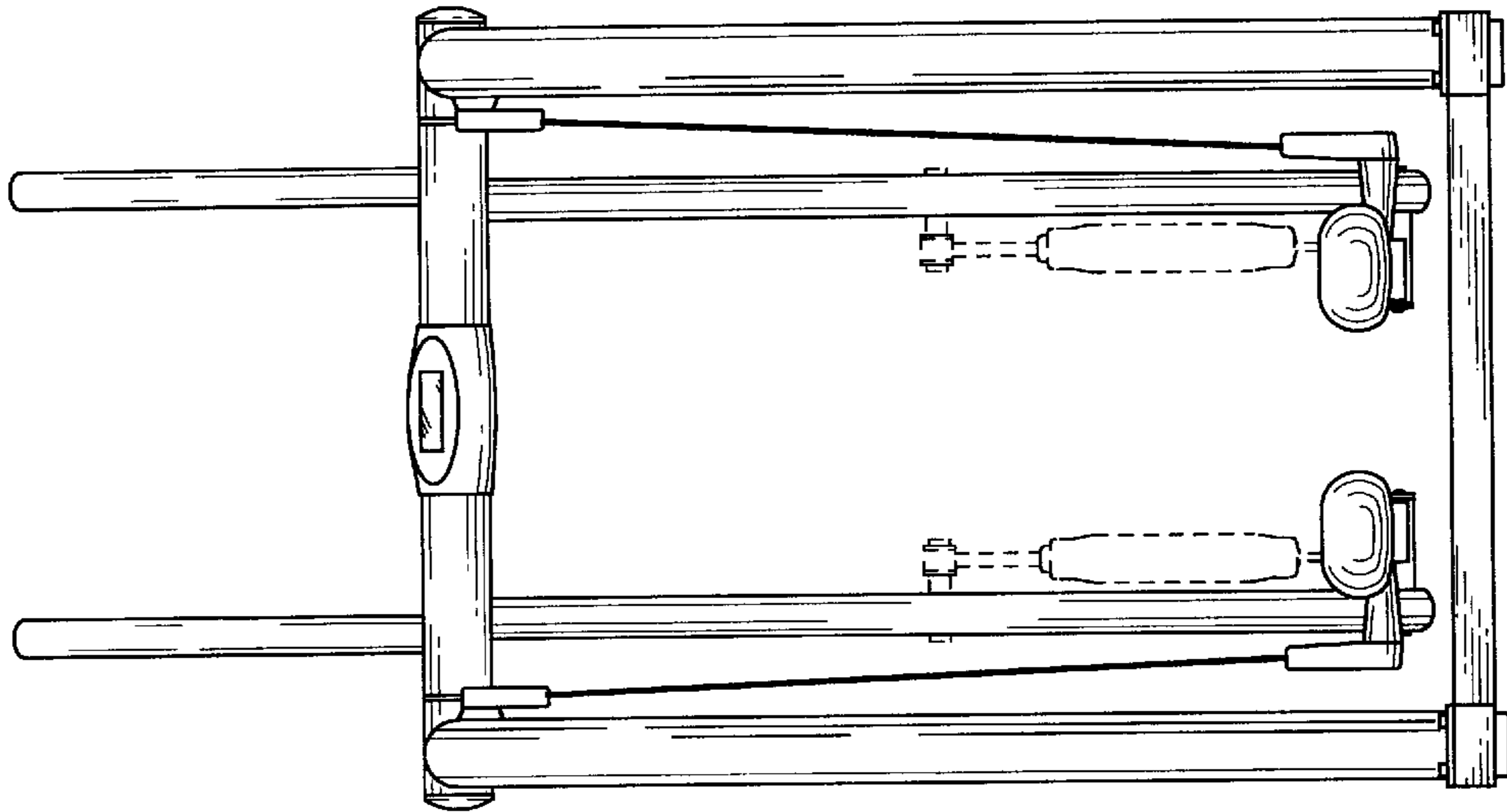


Fig. 4

