

US00D507024S

(12) **United States Design Patent**
Okutsu

(10) **Patent No.:** **US D507,024 S**

(45) **Date of Patent:** **** Jul. 5, 2005**

(54) **MONSTER TOY**

D480,118 S * 9/2003 Nakase D21/578

(75) **Inventor:** **Masamichi Okutsu, Tokyo (JP)**

* cited by examiner

(73) **Assignee:** **Tomy Company, Ltd., Tokyo (JP)**

Primary Examiner—Sandra L. Morris
(74) *Attorney, Agent, or Firm*—Staas & Halsey LLP

(**) **Term:** **14 Years**

(57) **CLAIM**

(21) **Appl. No.:** **29/187,320**

The ornamental design for the monster toy, as shown.

(22) **Filed:** **Jul. 31, 2003**

DESCRIPTION

(51) **LOC (8) Cl.** **21-01**

FIG. 1 is a front view of the monster toy showing the new design;

(52) **U.S. Cl.** **D21/584; D21/606; D21/578**

FIG. 2 is a rear view thereof;

(58) **Field of Search** **D11/158, 162;**

FIG. 3 is a perspective view thereof;

D21/576, 578–585, 606, 615; 446/71–72,
97, 102, 316–317, 368

FIG. 4 is a top view thereof;

FIG. 5 is a bottom view thereof;

(56) **References Cited**

FIG. 6 is a left-side view thereof; and,

FIG. 7 is a right-side view thereof.

U.S. PATENT DOCUMENTS

D298,562 S * 11/1988 Kitamura D21/584

D336,942 S * 6/1993 Ng D21/578

1 Claim, 4 Drawing Sheets

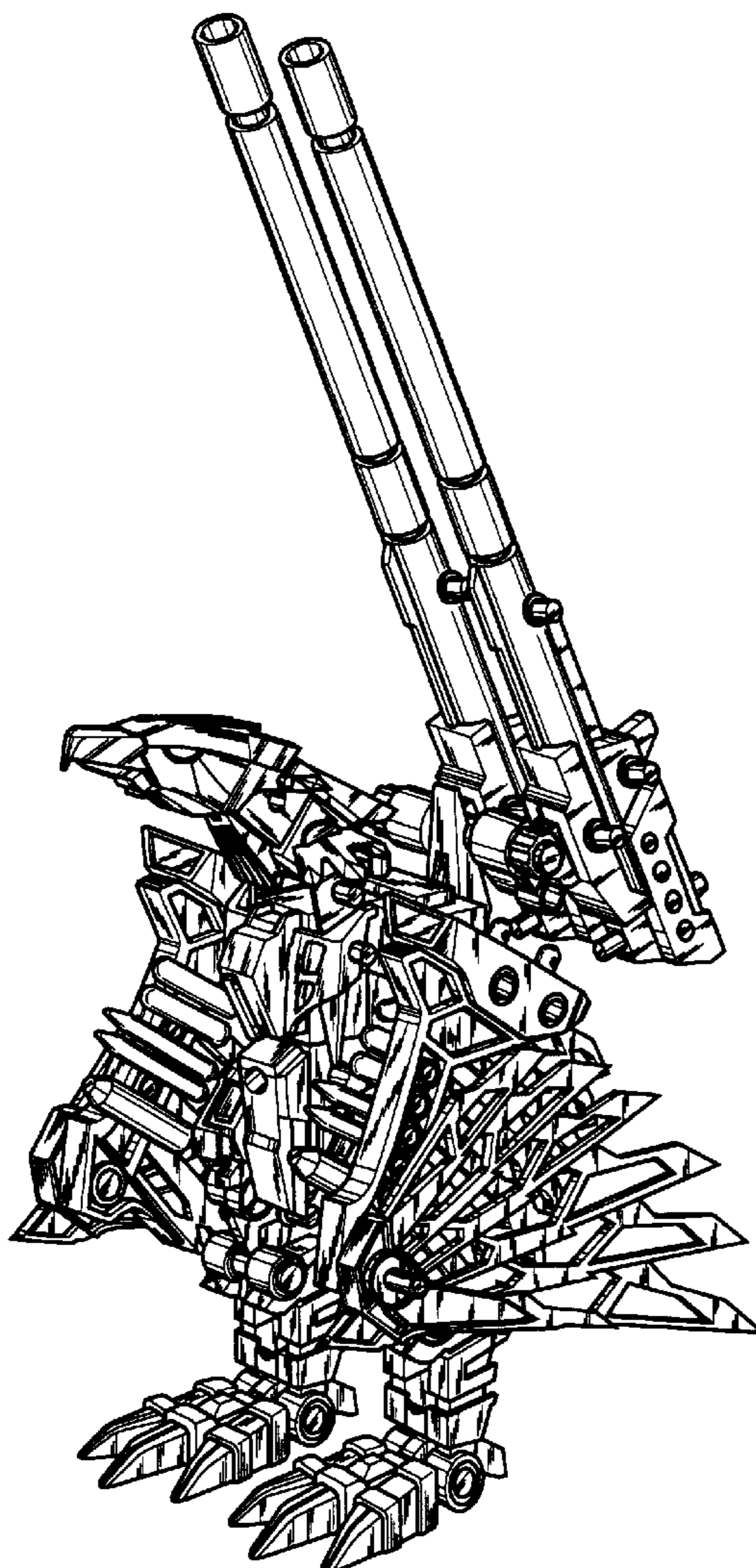


FIG.1

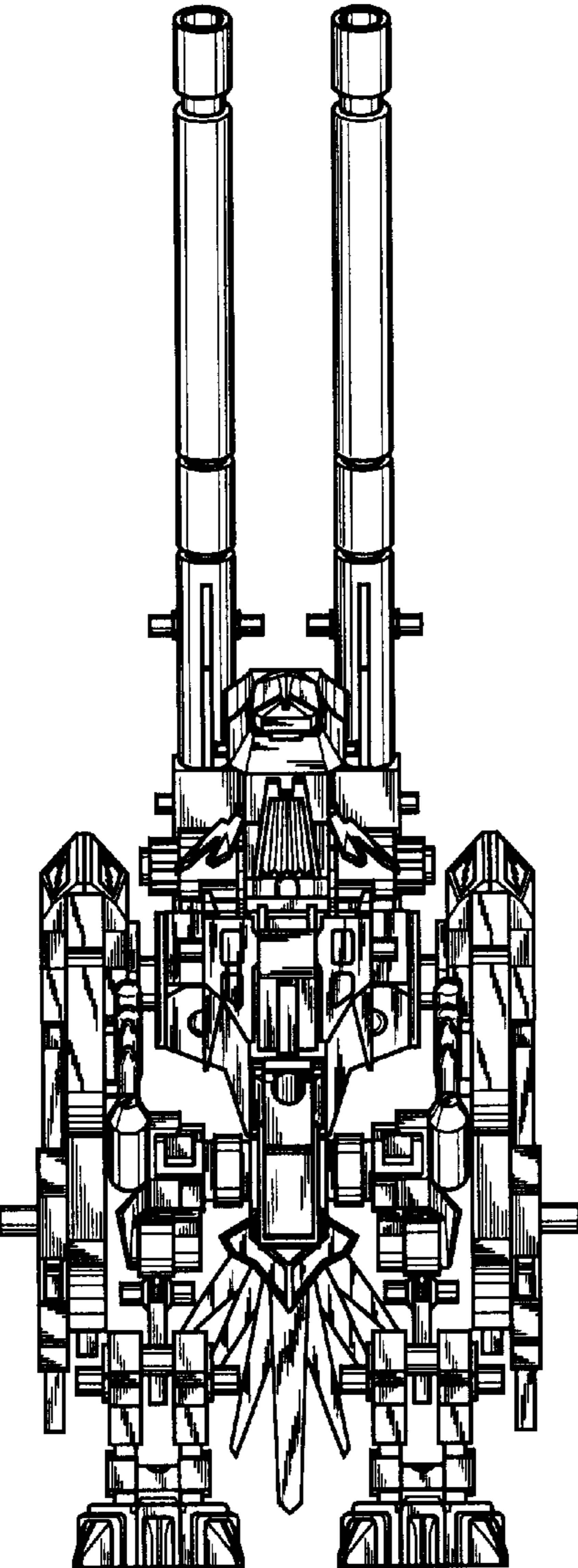


FIG.2

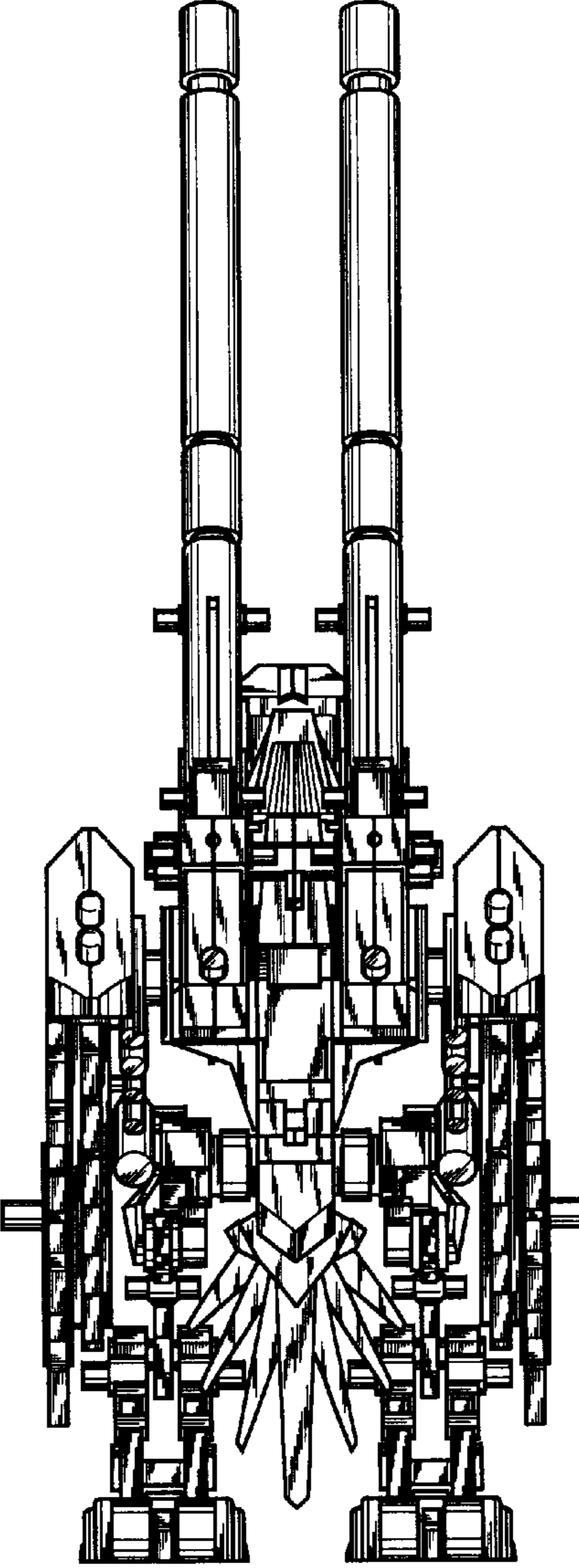


FIG. 3

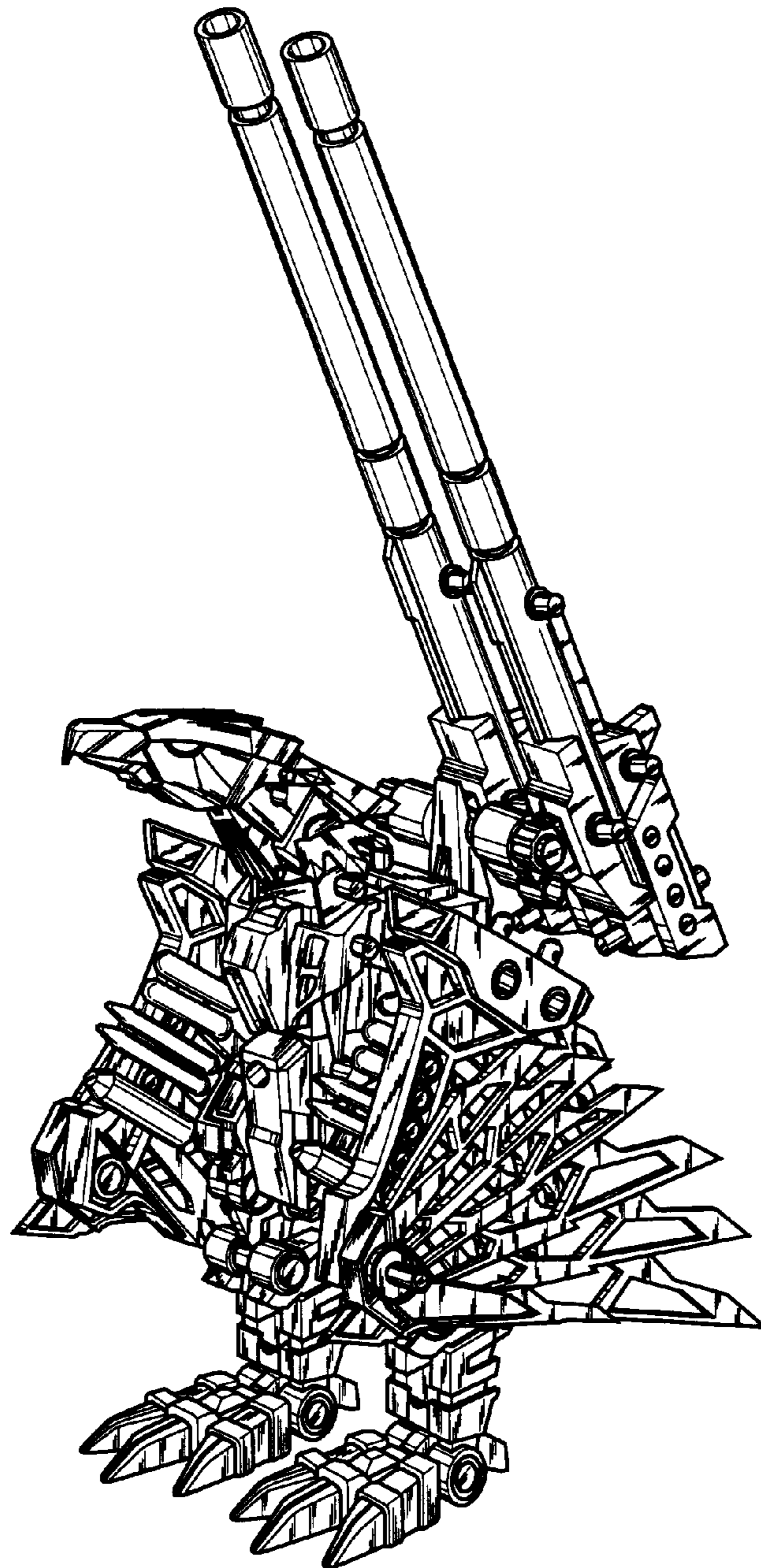


FIG.4

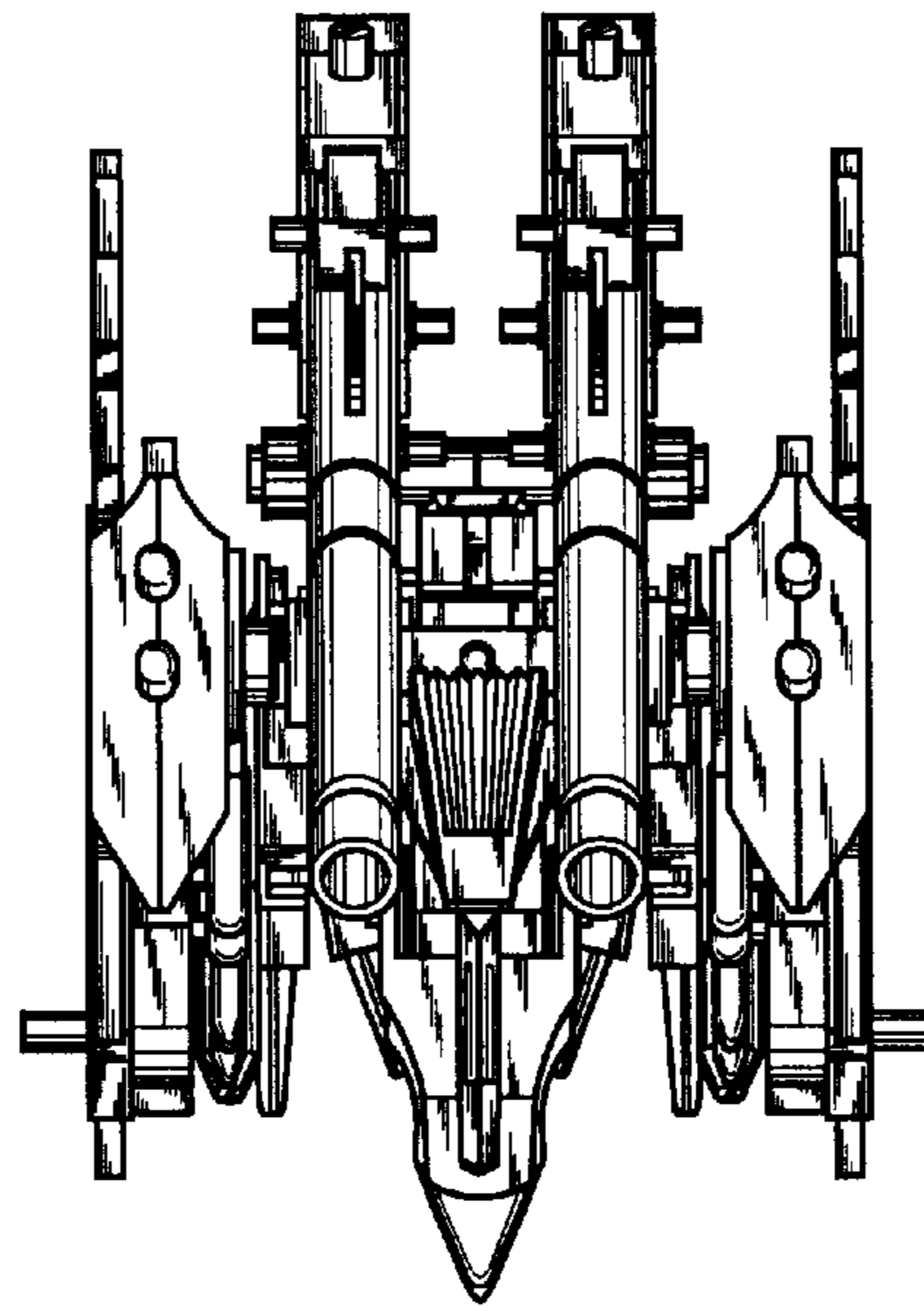


FIG.5

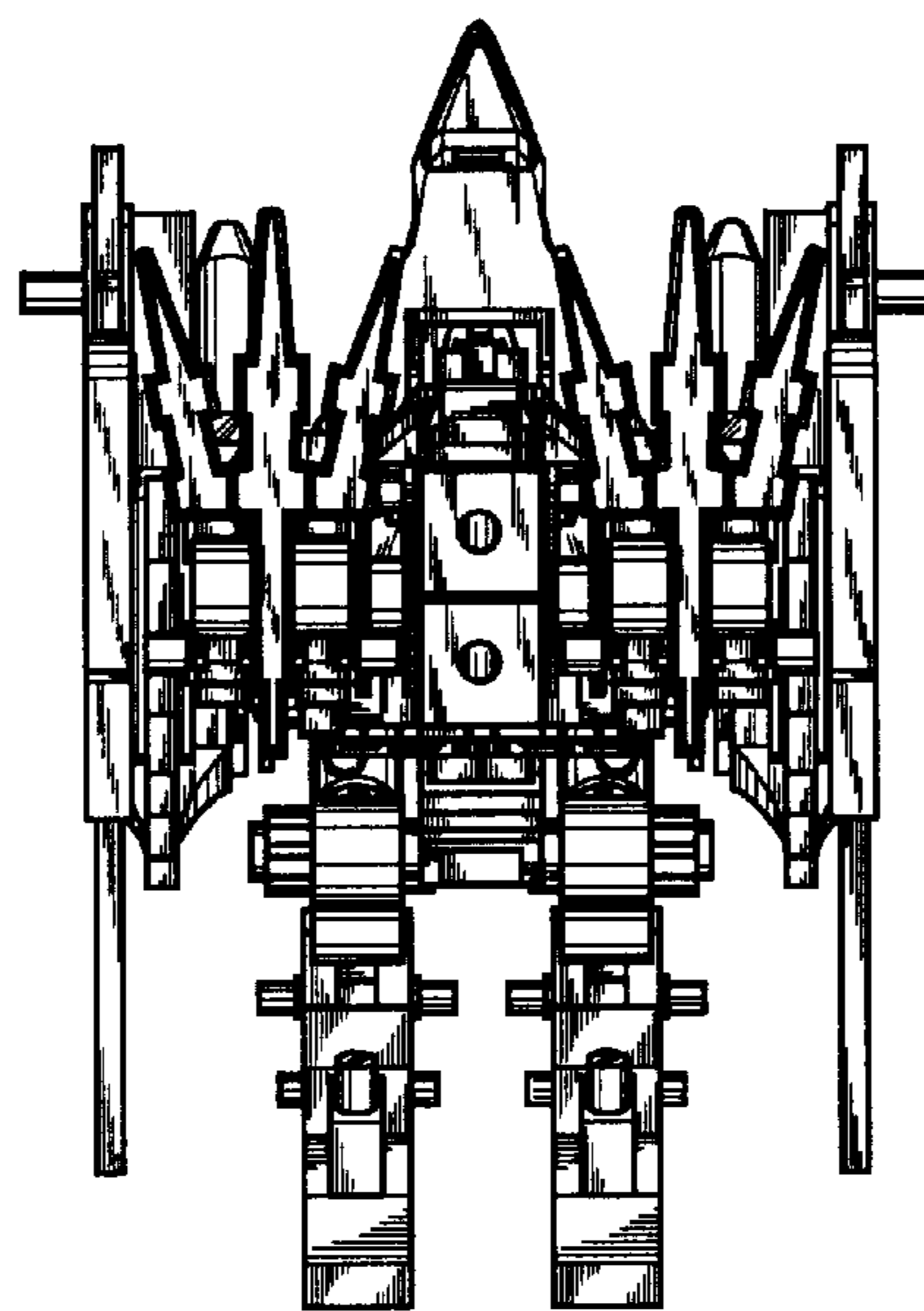


FIG.6

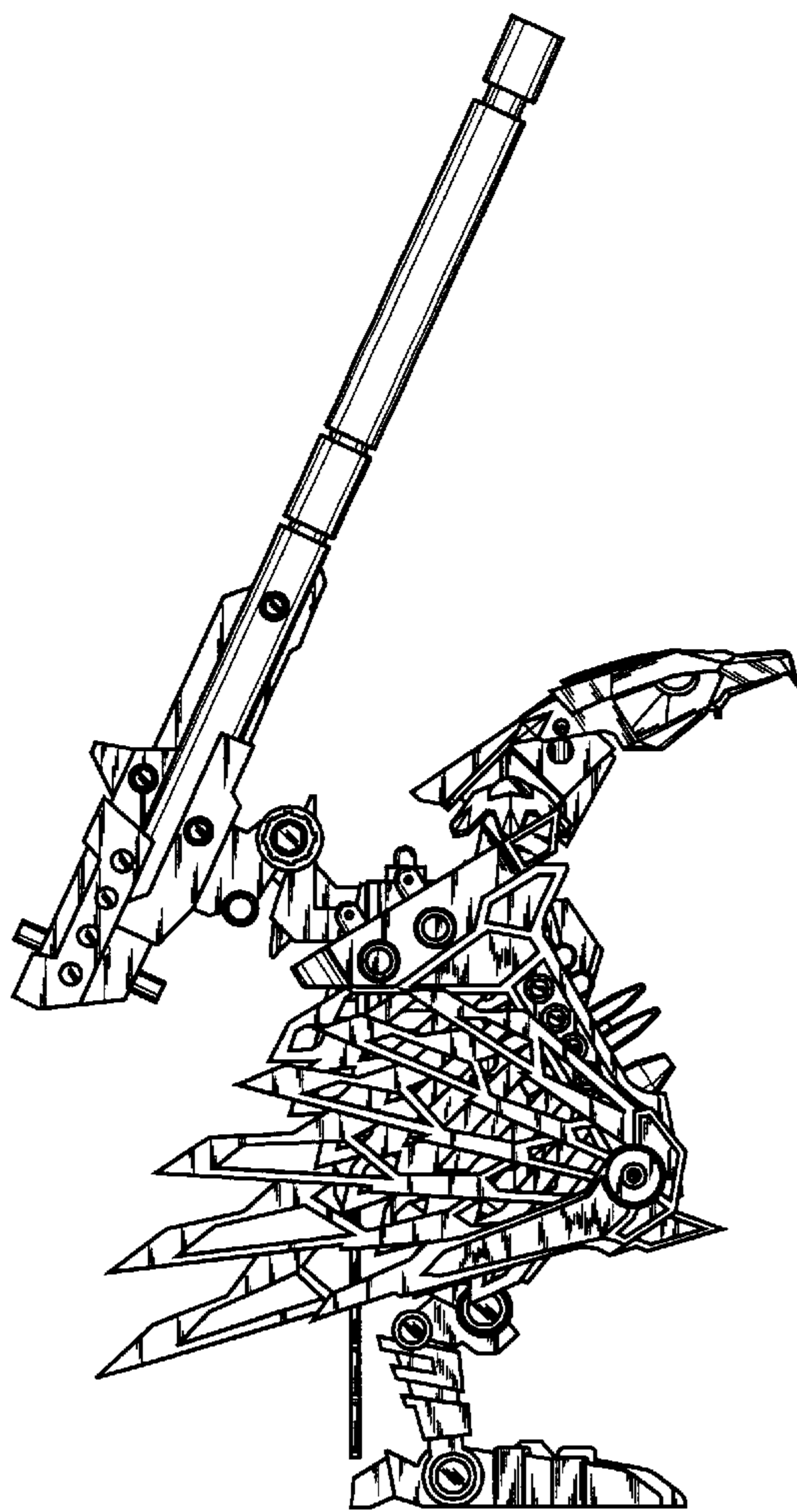


FIG.7

