

US00D507023S

(12) **United States Design Patent**  
**Simonetti et al.**

(10) **Patent No.:** **US D507,023 S**  
(45) **Date of Patent:** **\*\* Jul. 5, 2005**

(54) **TERMINAL FOR GAMES**

(75) Inventors: **Mario Simonetti**, Rome (IT); **Antonio Croce**, Capistrello (IT); **Luciano Piazzai**, Avezzano (IT)

(73) Assignee: **Tecnost Sistemi S.p.A.** (IT)

(\*\*) Term: **14 Years**

(21) Appl. No.: **29/177,880**

(22) Filed: **May 27, 2003**

(30) **Foreign Application Priority Data**

Sep. 20, 2002 (IT) ..... TO20020000238

(51) **LOC (8) Cl.** ..... **21-03**

(52) **U.S. Cl.** ..... **D21/369; D21/329**

(58) **Field of Search** ..... D18/36-39, 50, D18/53, 54, 54.1, 55; D14/462-470, 420-425, 496, 349; D21/329, 330, 324, 369; 273/148 B; 463/30, 46, 47; 400/613, 691-694, 690.1-690.4, 613.1-613.4; D20/2

(56) **References Cited**

**U.S. PATENT DOCUMENTS**

D280,834 S \* 10/1985 Yokoi ..... D21/329  
5,213,327 A \* 5/1993 Kitaue ..... 463/46  
D395,458 S \* 6/1998 Smith et al. .... D21/329

D410,499 S \* 6/1999 Smith et al. .... D21/329  
D411,259 S \* 6/1999 Ishii et al. .... D21/329  
D421,001 S \* 2/2000 Miyashita ..... D14/496  
D455,793 S \* 4/2002 Lin ..... D14/496  
D476,638 S \* 7/2003 Tsukahara ..... D14/496

\* cited by examiner

*Primary Examiner*—Cathy Anne MacCormac

(74) *Attorney, Agent, or Firm*—Banner & Witcoff, Ltd.

(57) **CLAIM**

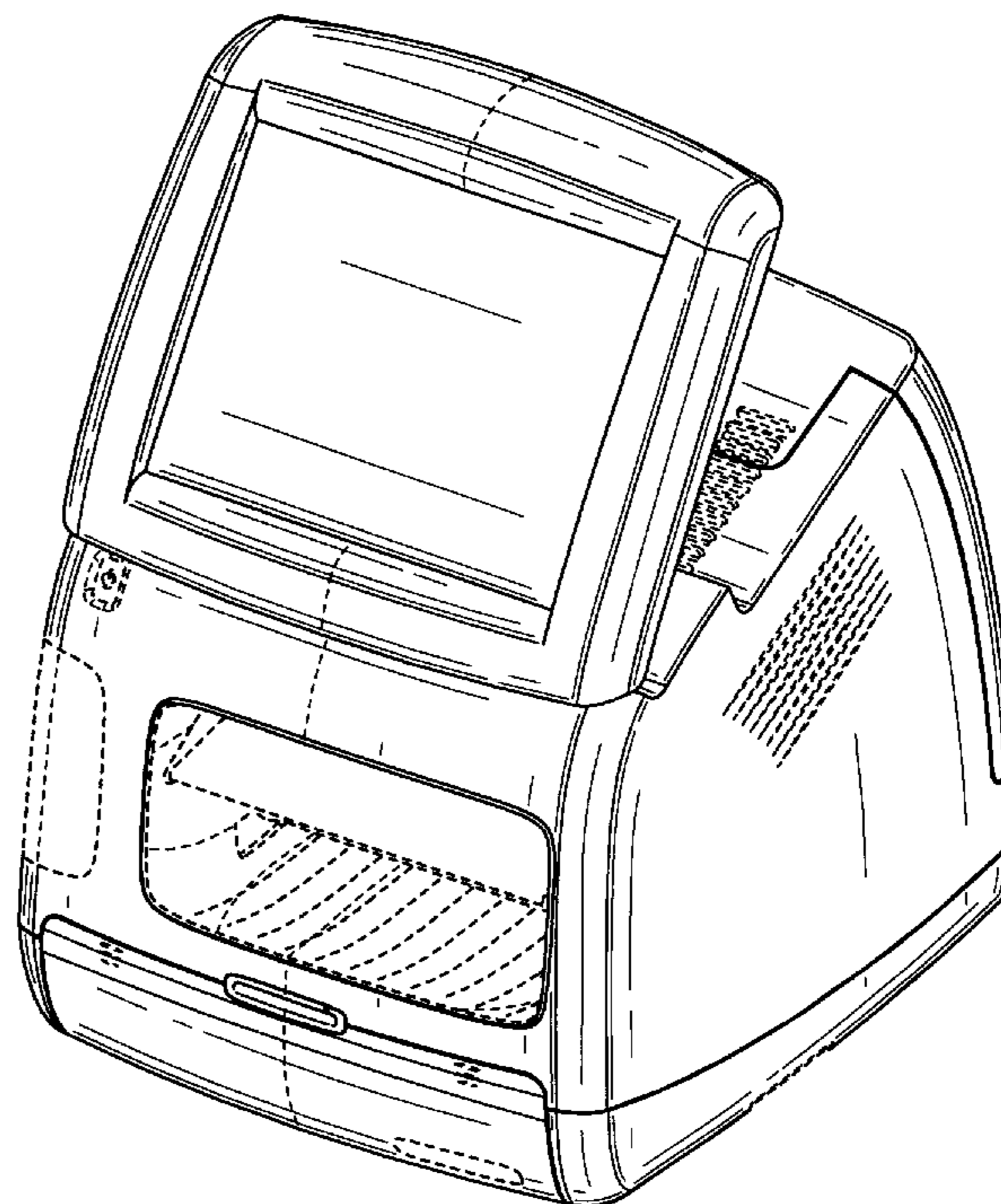
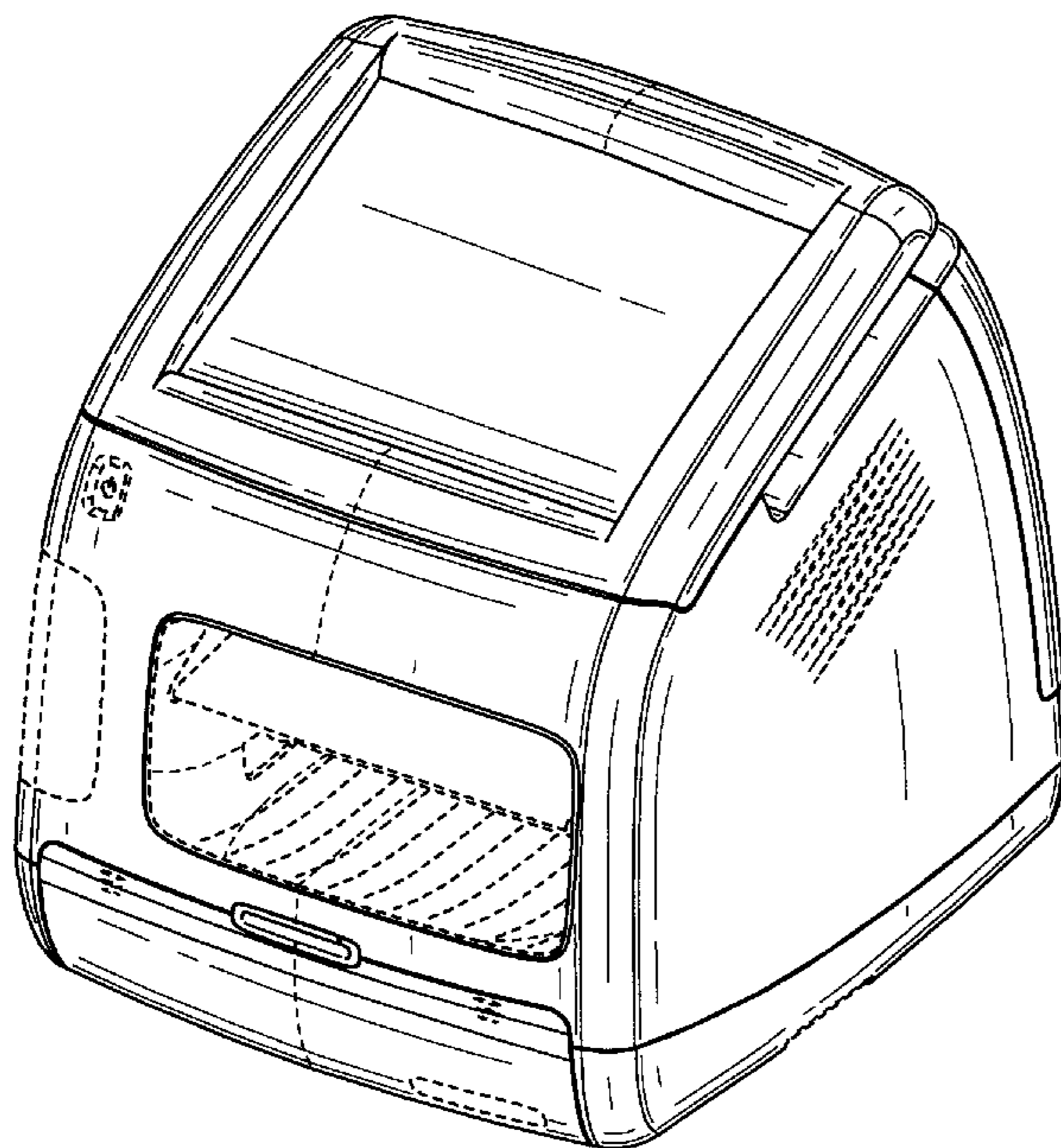
The ornamental design for a terminal for games, as shown and described.

**DESCRIPTION**

FIG. 1 is a top front and right side perspective view of a terminal for games;  
FIG. 2 is a top plan view thereof;  
FIG. 3 is a front view thereof;  
FIG. 4 is a right side view thereof;  
FIG. 5 is a rear view thereof;  
FIG. 6 is a top front and right side perspective view thereof showing the display lifted up;  
FIG. 7 is a front view of FIG. 6; and,  
FIG. 8 is a left side view thereof.

The broken line showings of the remainder of the terminal for games are for illustrative purposes only and do not form part of the claimed design.

**1 Claim, 8 Drawing Sheets**



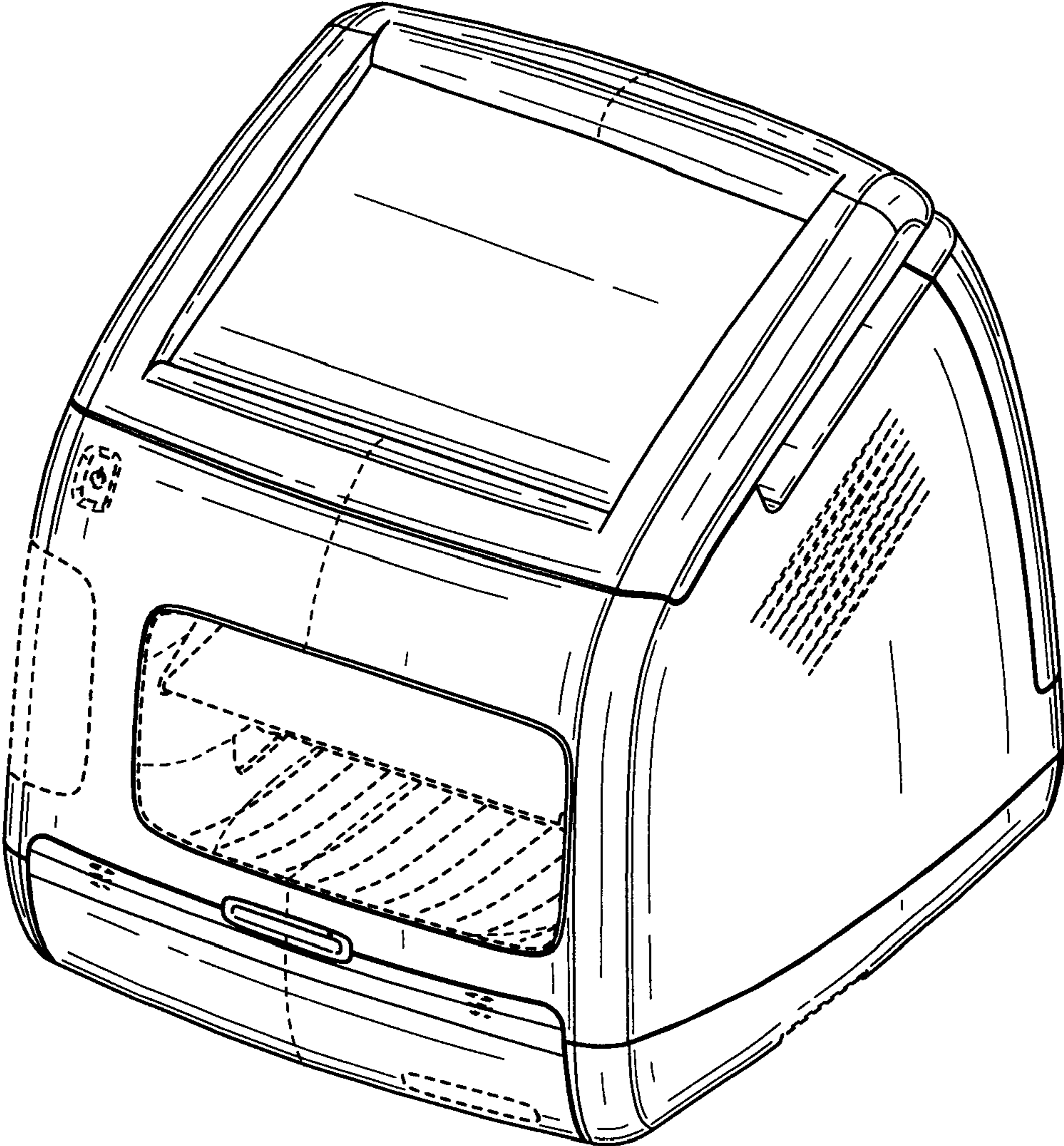


FIG. 1

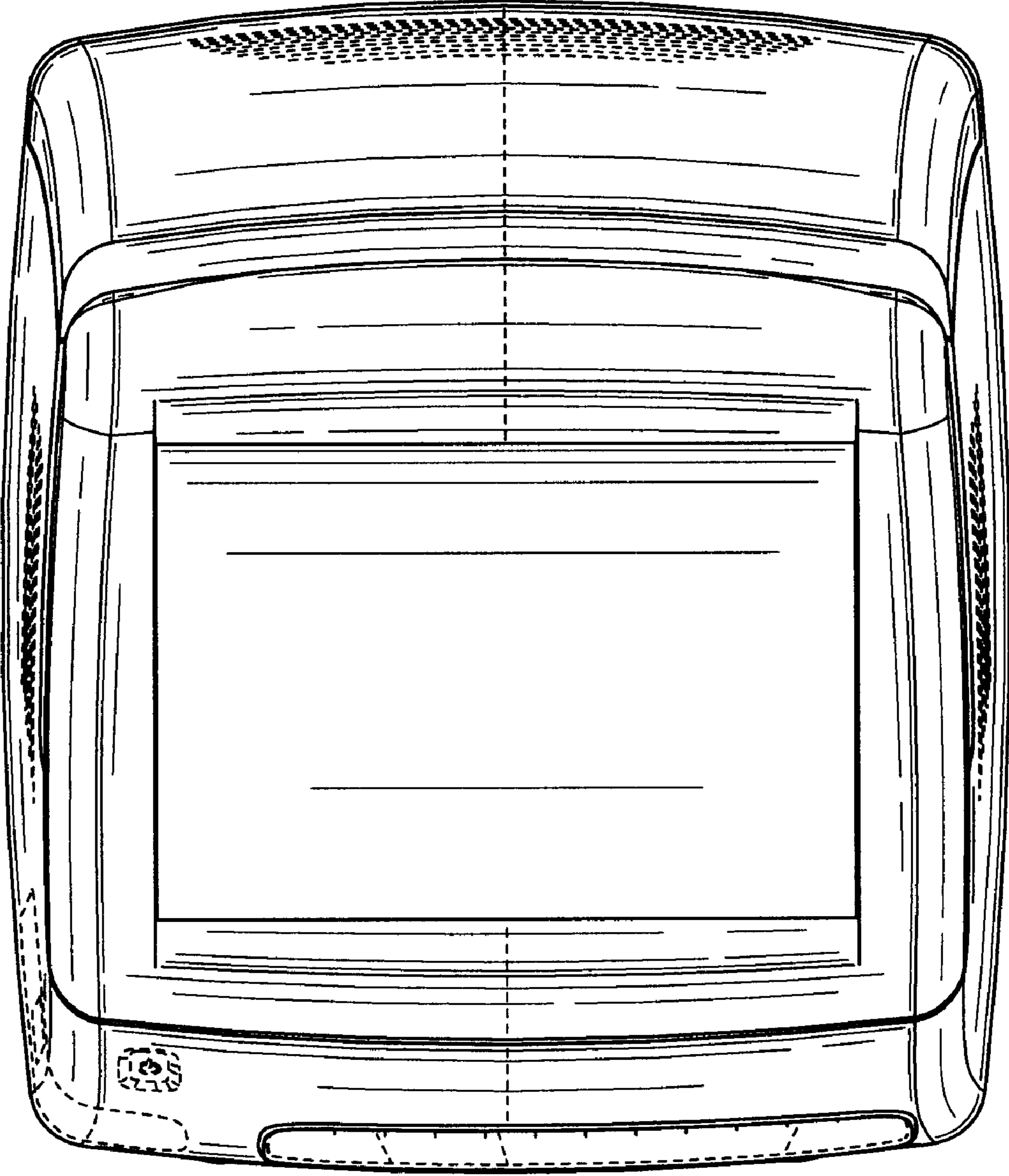


FIG. 2



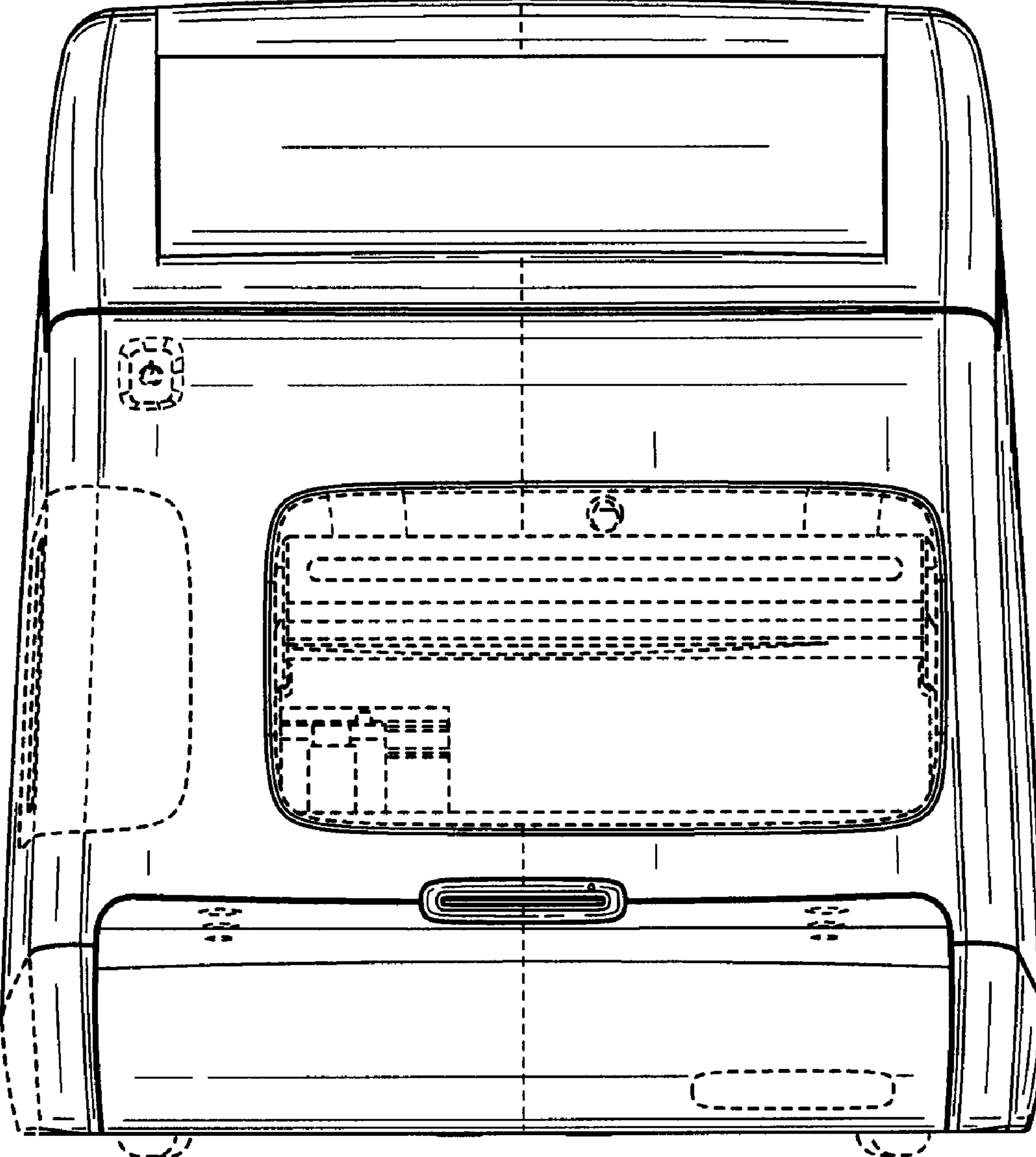


FIG. 3

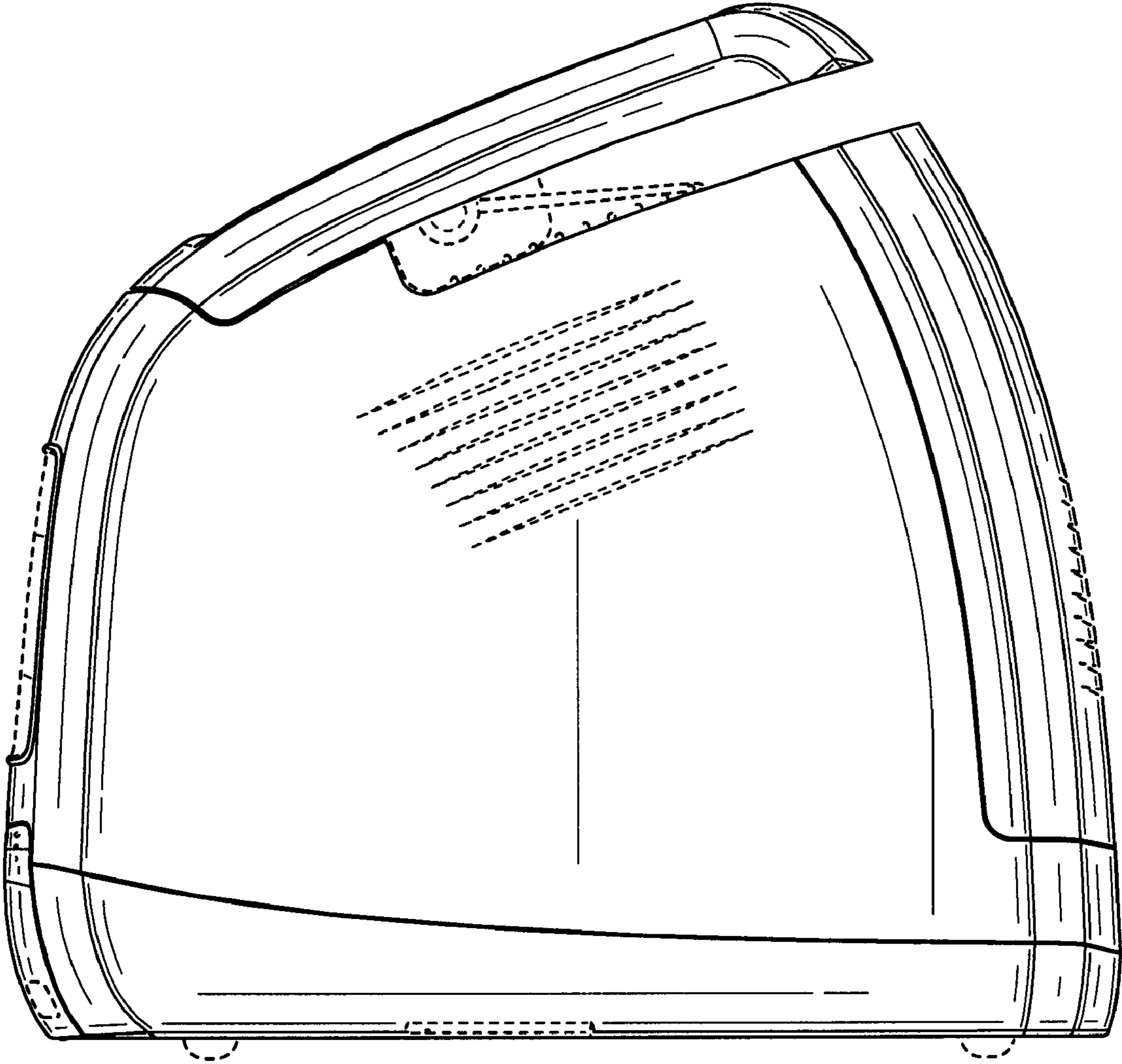


FIG. 4

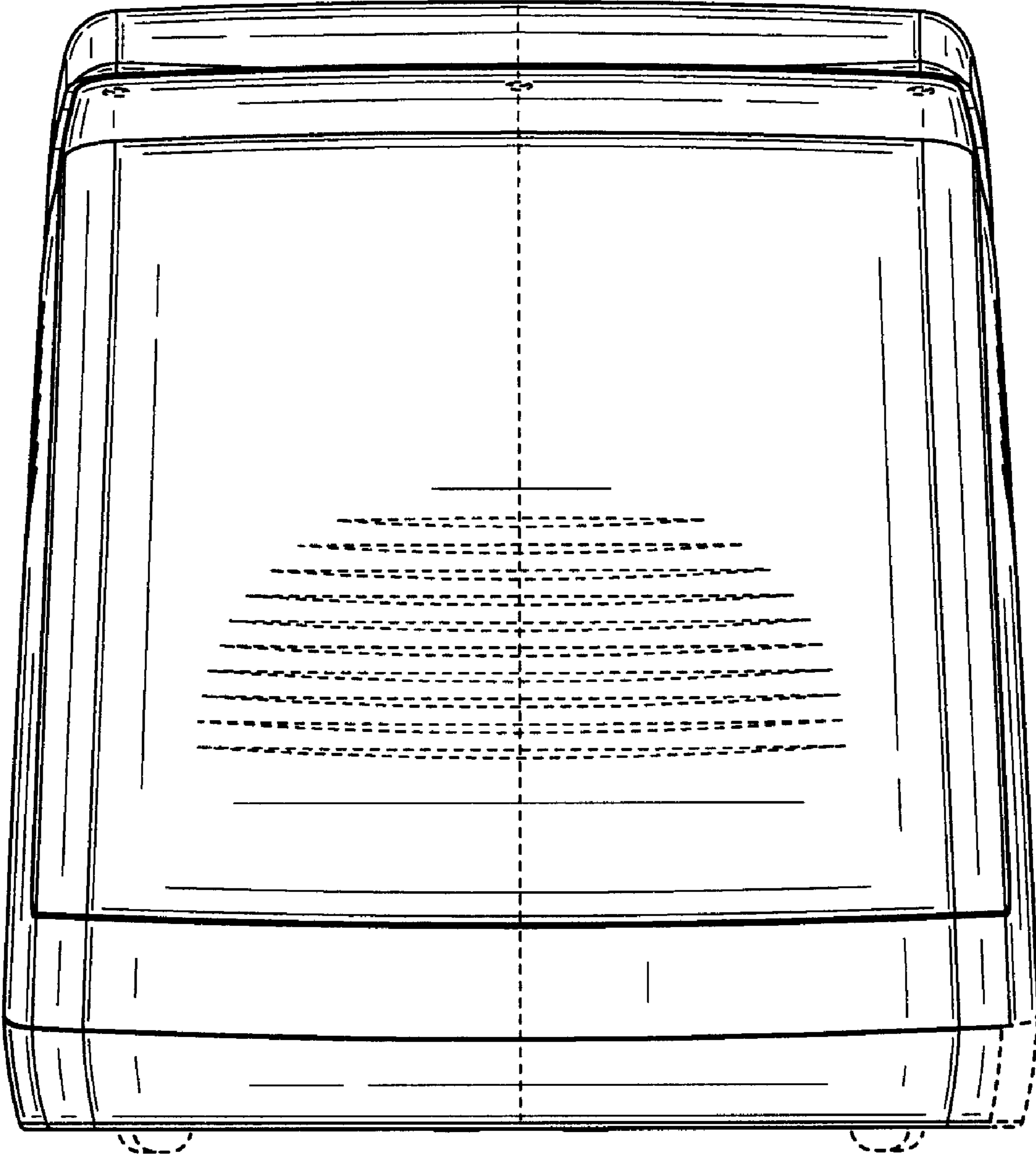


FIG. 5

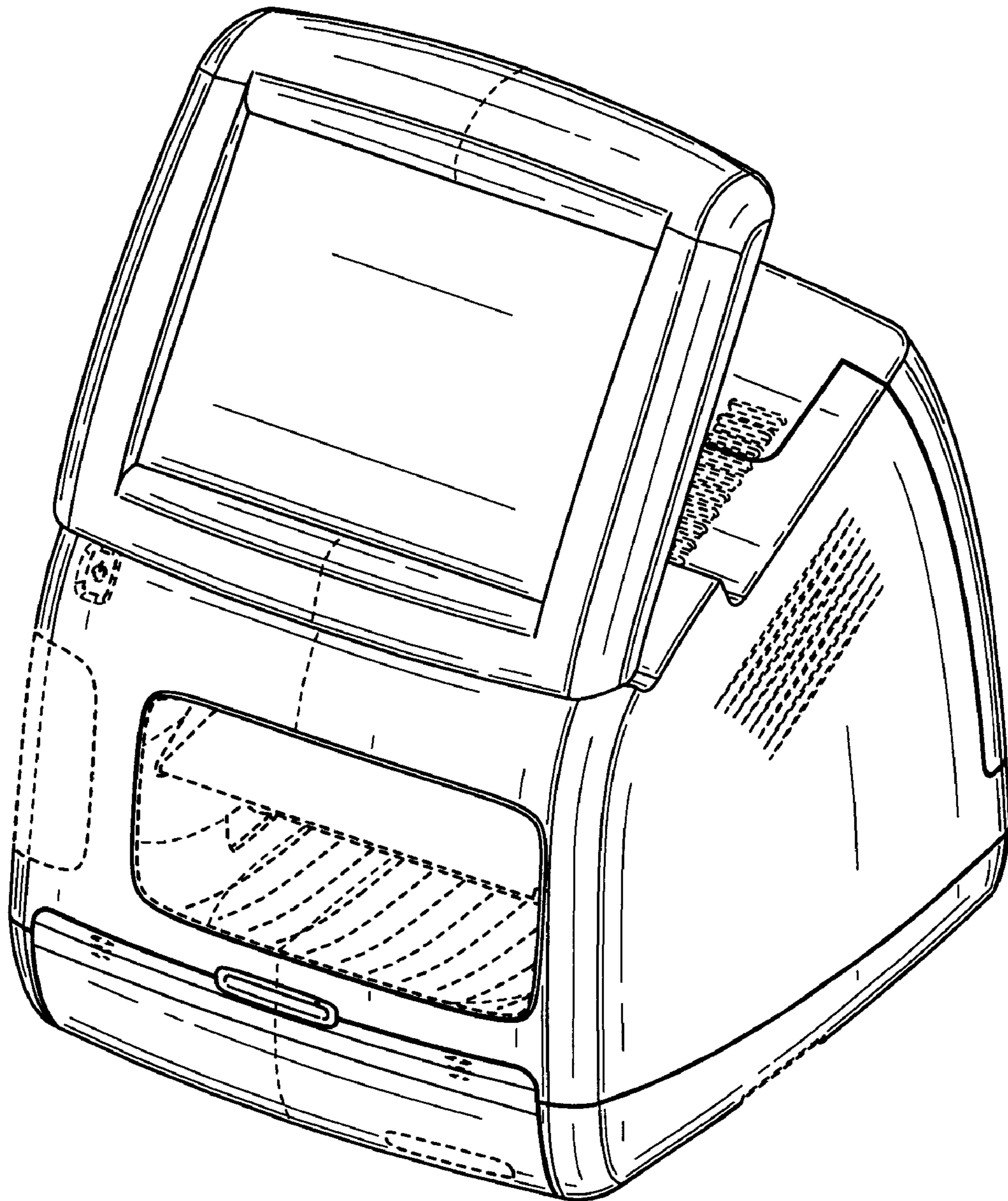


FIG. 6

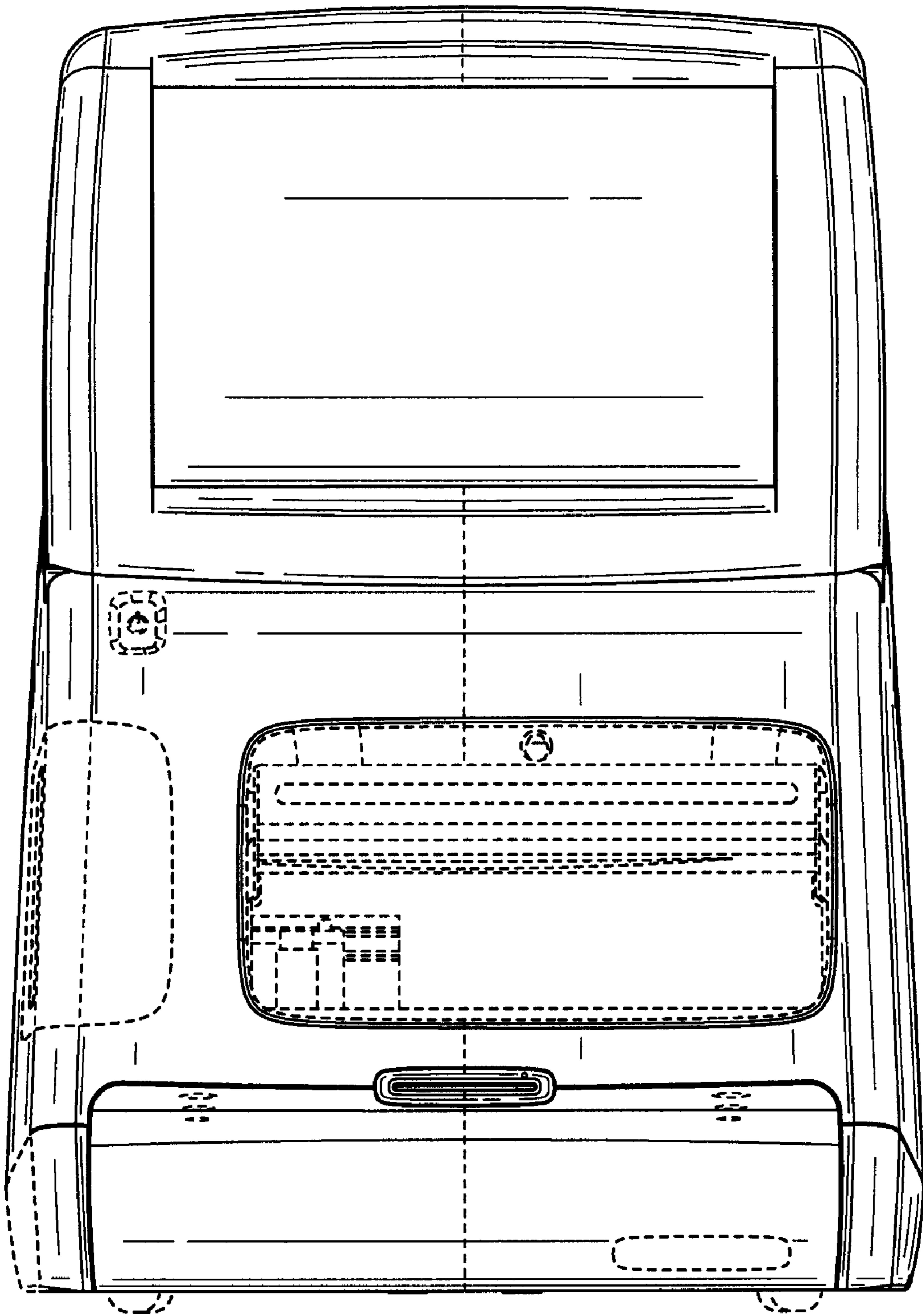


FIG. 7



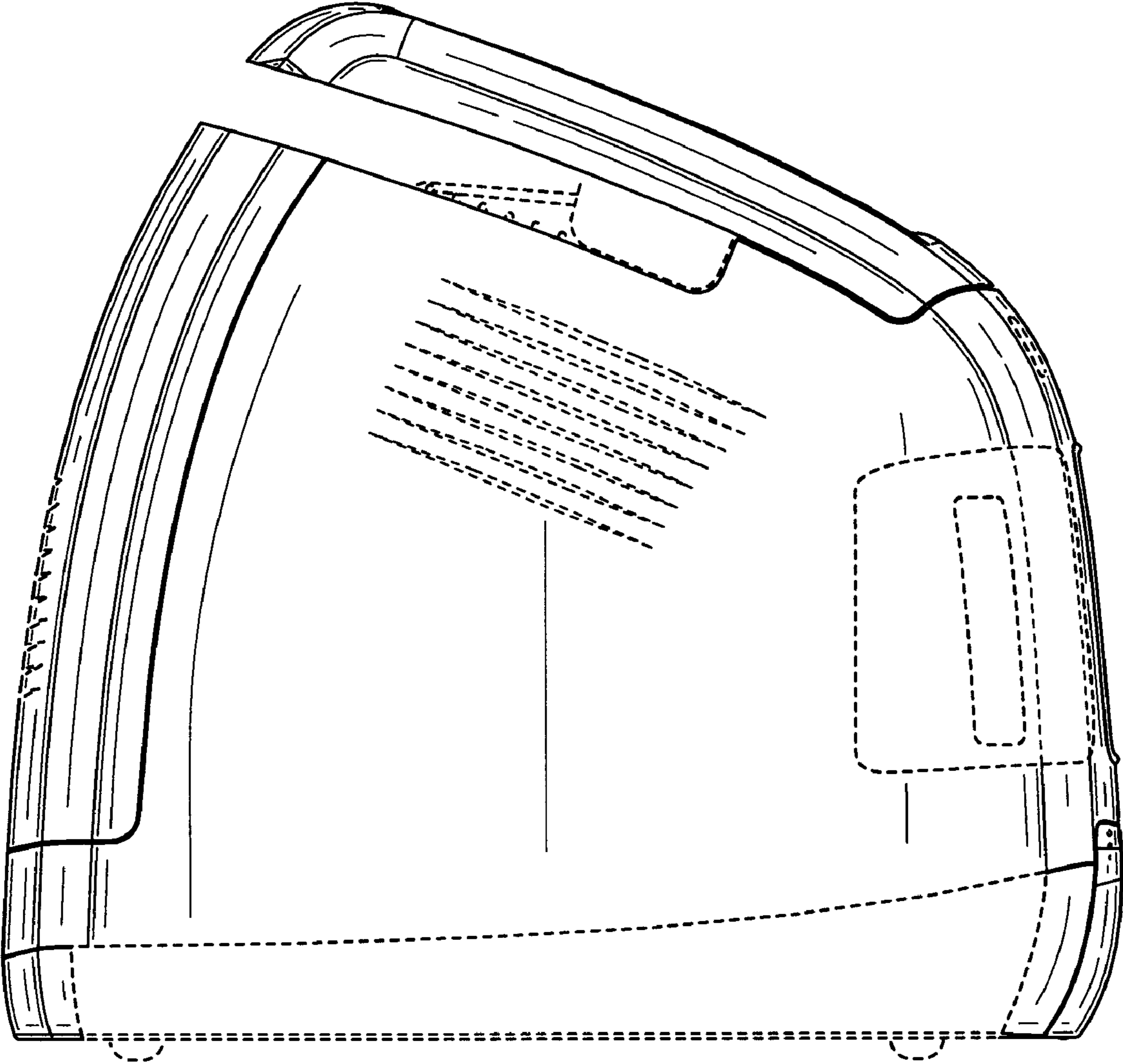


FIG. 8