

US00D507022S

(12) **United States Design Patent**
Tsujino et al.

(10) **Patent No.: US D507,022 S**
(45) **Date of Patent: ** Jul. 5, 2005**

(54) **ARCADE GAME MACHINE**
(75) Inventors: **Hiroshi Tsujino**, Tokyo (JP); **Takahide Sato**, Tokyo (JP)
(73) Assignee: **Sammy Corporation**, Tokyo (JP)
(**) Term: **14 Years**

4,643,421 A * 2/1987 Meyer et al. 463/1
4,850,591 A * 7/1989 Takezawa et al. 463/37
5,584,763 A * 12/1996 Kelly et al. 463/16
5,951,397 A * 9/1999 Dickinson 463/36
D435,068 S * 12/2000 Muraki et al. D21/325
D463,502 S * 9/2002 Ishii et al. D21/325
D465,243 S * 11/2002 Isetani et al. D21/325
D468,363 S * 1/2003 Nojo D21/325
D472,936 S * 4/2003 Ohtomi et al. D21/325

(21) Appl. No.: **29/217,602**
(22) Filed: **Nov. 18, 2004**

* cited by examiner

Related U.S. Application Data

(62) Division of application No. 29/177,951, filed on Mar. 18, 2003.

Primary Examiner—Prabhakar Deshmukh
(74) *Attorney, Agent, or Firm*—McCormick, Paulding & Huber LLP

(30) **Foreign Application Priority Data**

Sep. 18, 2002 (JP) 2002-25428
Sep. 18, 2002 (JP) 2002-25429
Sep. 18, 2002 (JP) 2002-25430
Sep. 18, 2002 (JP) 2002-25431
Sep. 18, 2002 (JP) 2002-25432

(57) **CLAIM**

The ornamental design for arcade game machine, as shown and described.

(51) **LOC (8) Cl.** **21-01**
(52) **U.S. Cl.** **D21/325; D21/369; D21/326**
(58) **Field of Search** **D21/324–327, D21/333, 369–375; 273/148 B, 138.1, 139, 148 R; 463/1, 16–22, 29, 30, 36, 46**

DESCRIPTION

FIG. 1 is a front perspective view of the arcade game machine.
FIG. 2 is a front view of the arcade game machine.
FIG. 3 is a rear view of the arcade game machine.
FIG. 4 is a plan view of the arcade game machine.
FIG. 5 is a right side view of the arcade game machine; and, FIG. 6 is a left side view of the arcade game machine.
FIGS. 1 to 6 illustrate a game machine with a “drive” type control panel with a bench.

(56) **References Cited**

U.S. PATENT DOCUMENTS

D187,283 S * 2/1960 Hullman D21/325

1 Claim, 4 Drawing Sheets

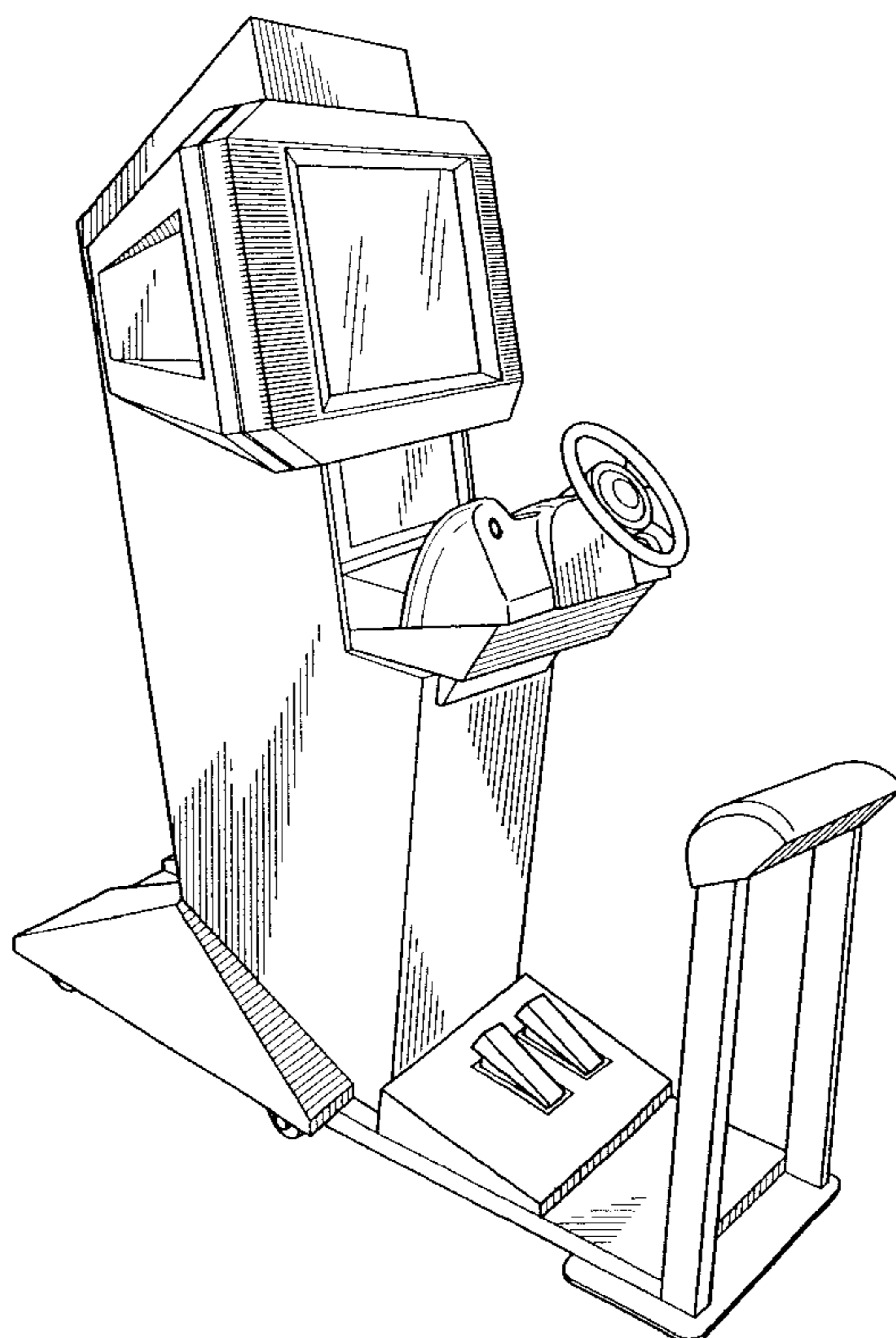


FIG. 2

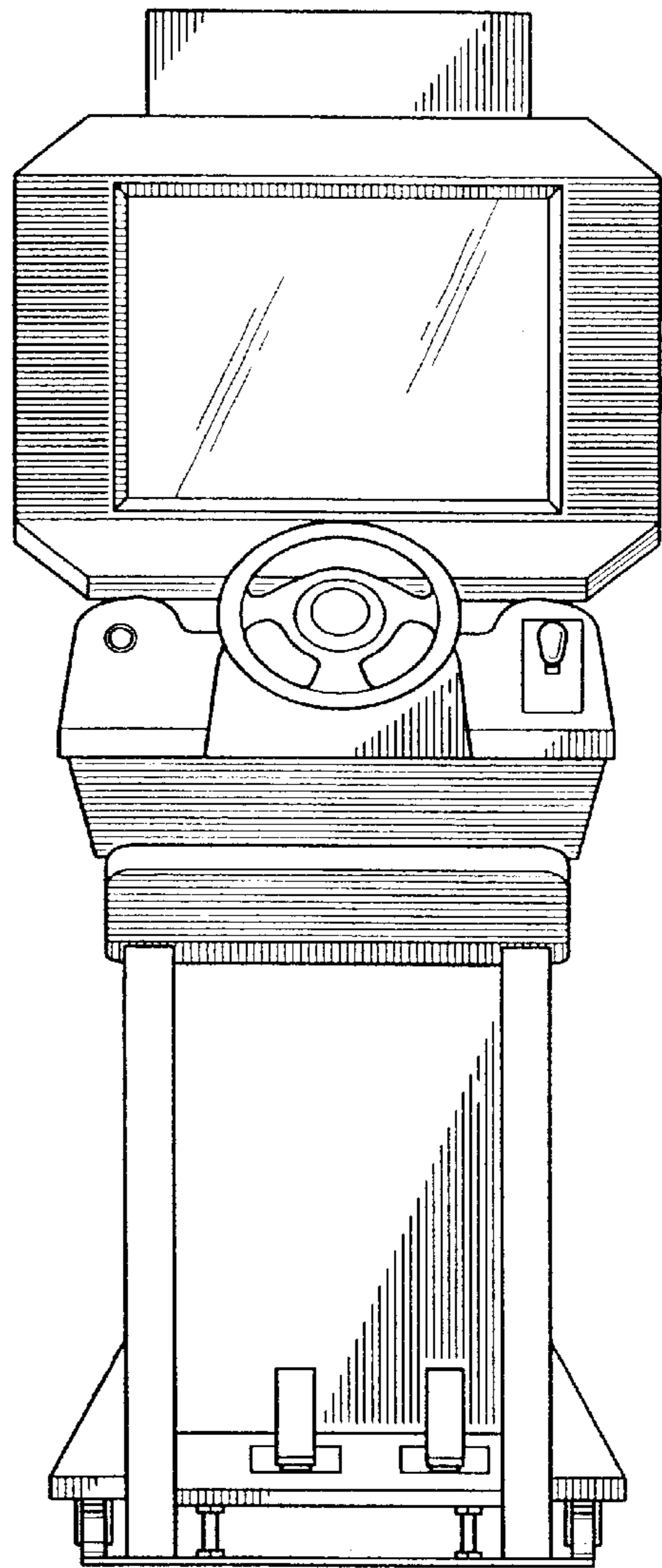


FIG. 1

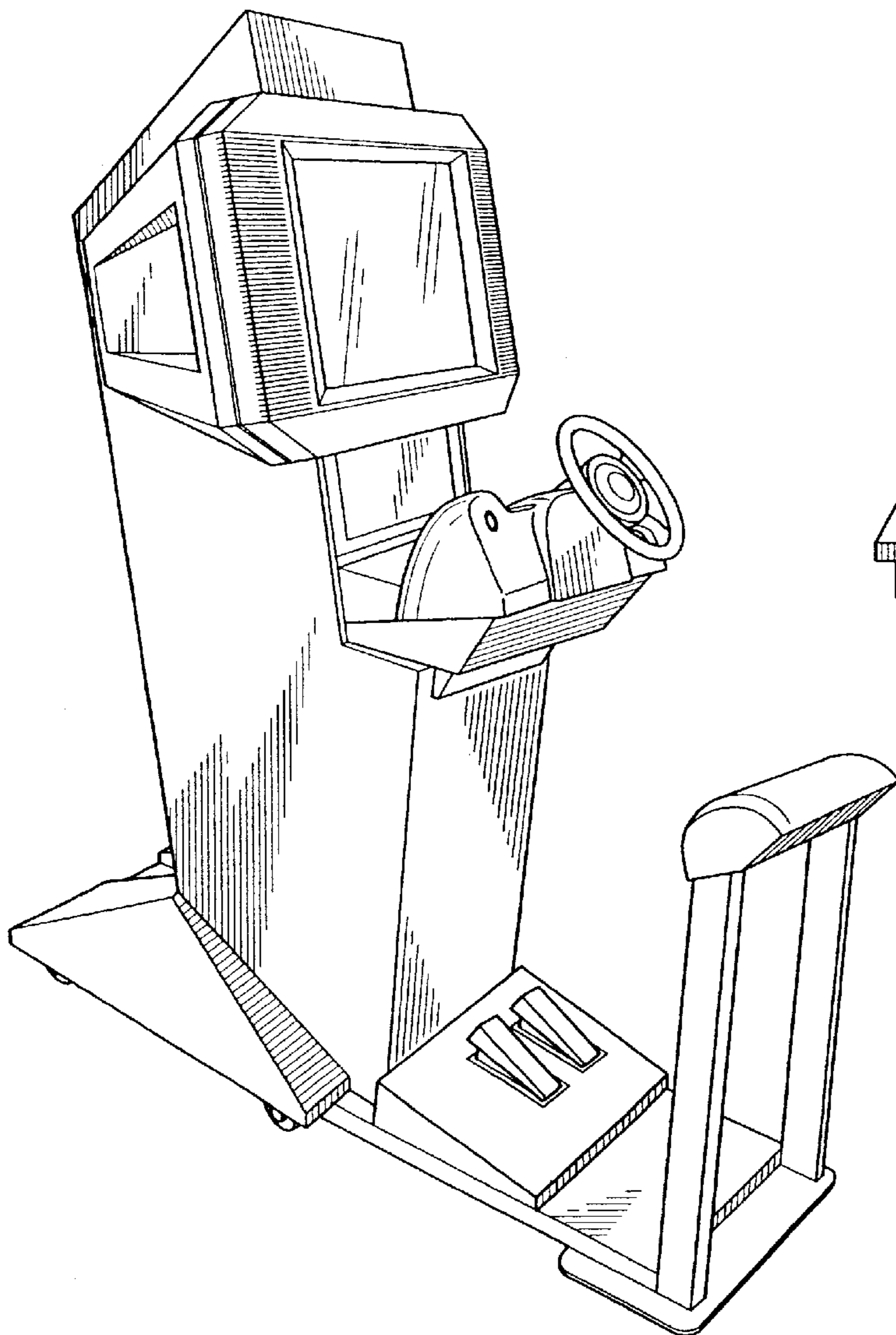


FIG. 3

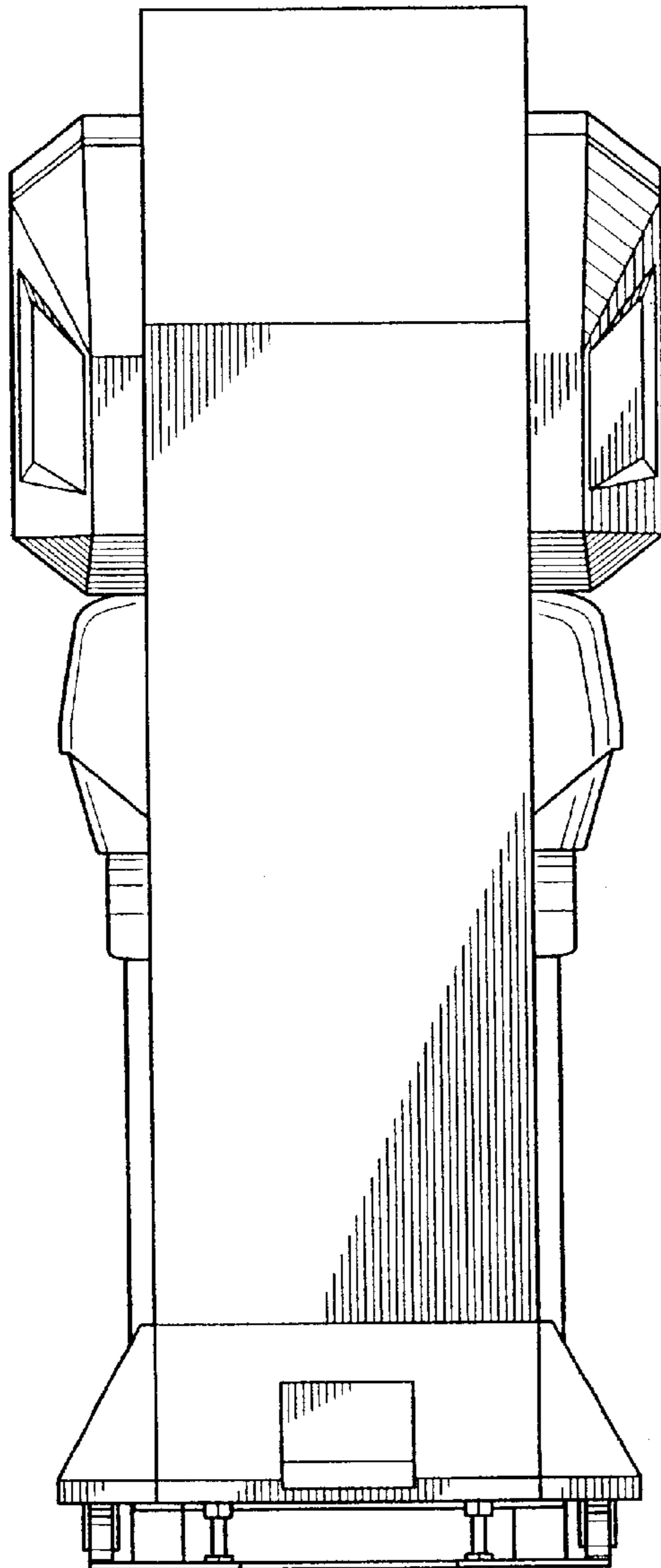


FIG. 4

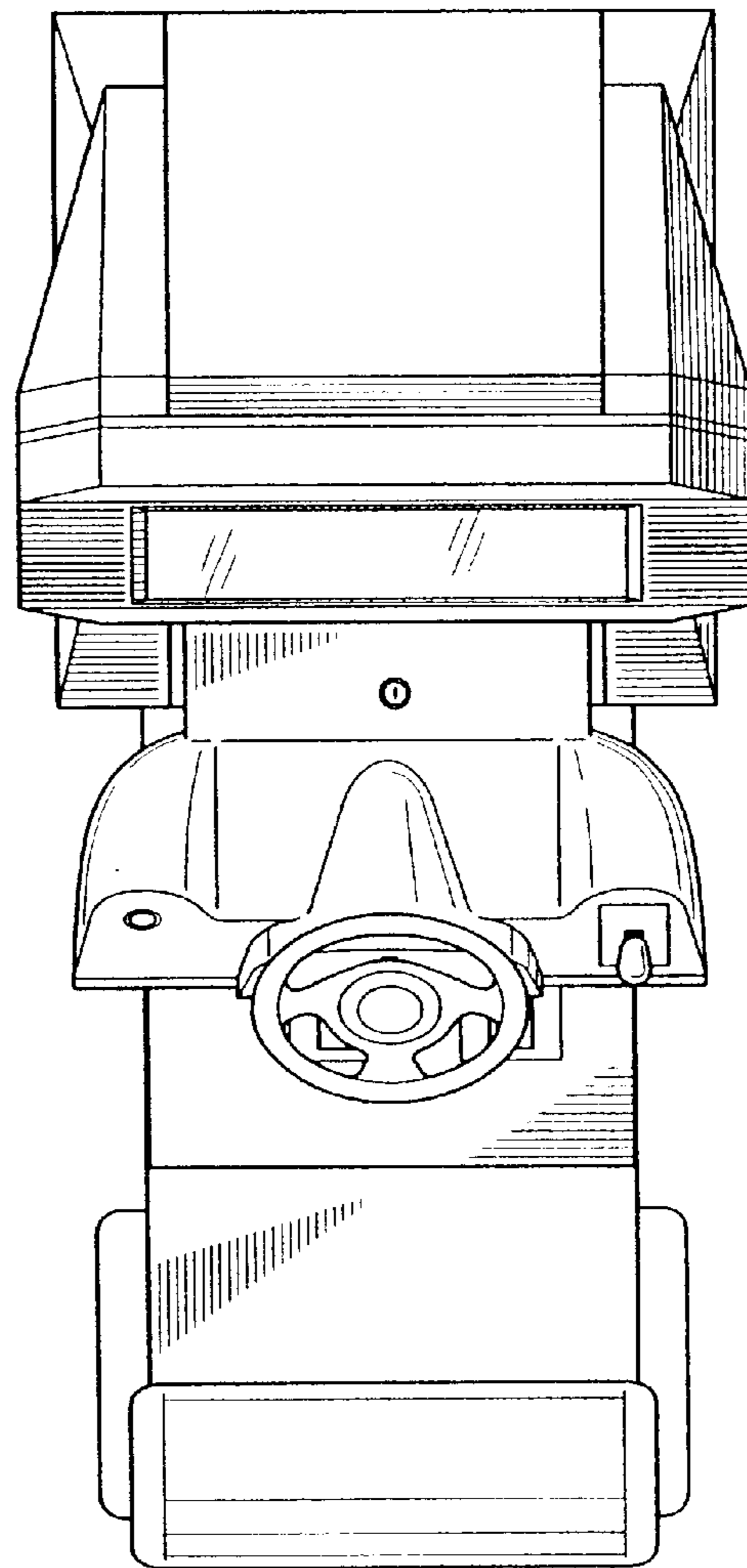


FIG. 5

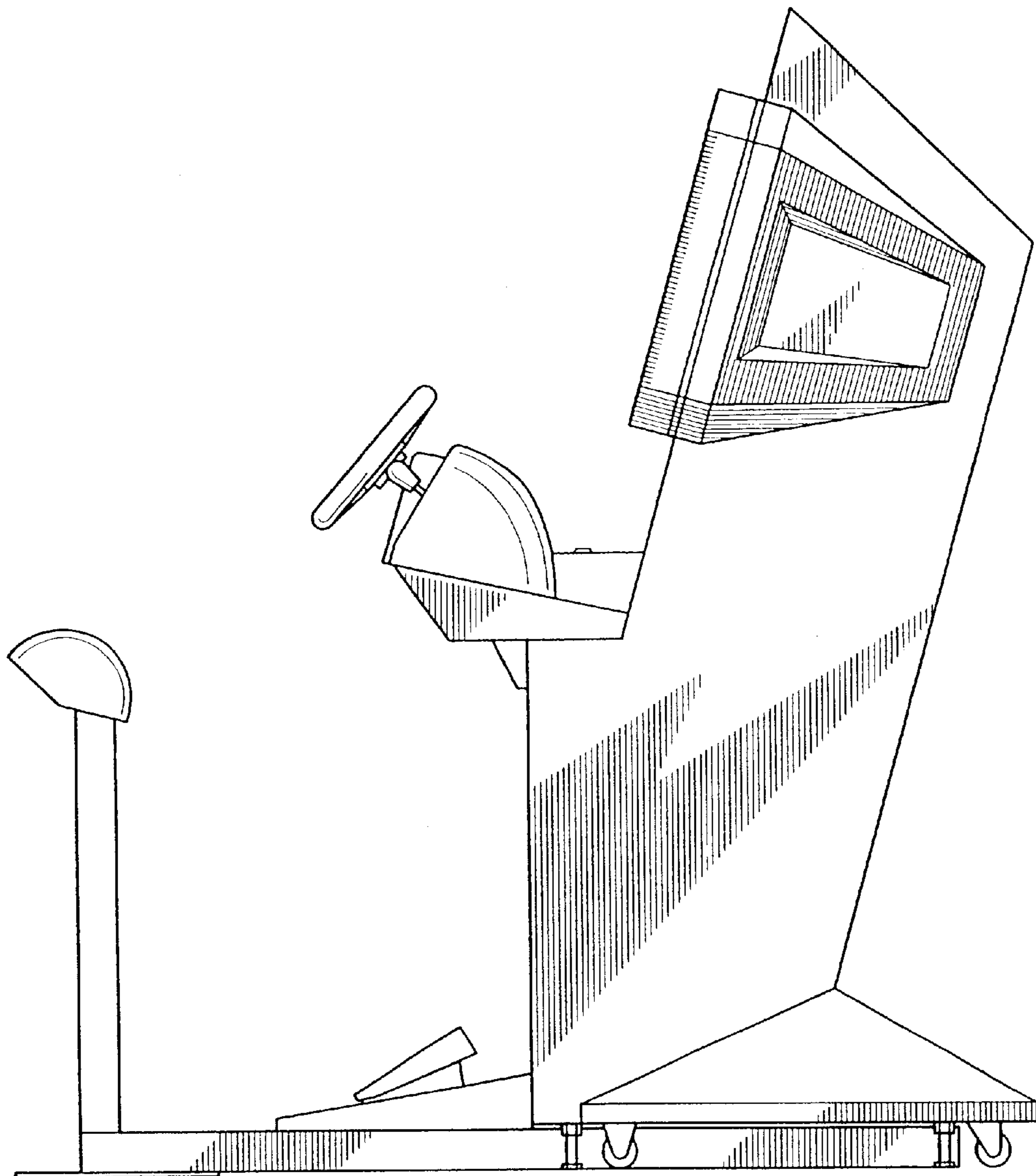


FIG. 6

