

US00D507020S

(12) **United States Design Patent** (10) **Patent No.:** **US D507,020 S**
Mueller et al. (45) **Date of Patent:** **** Jul. 5, 2005**

(54) **TAPE DISPENSER**
(75) Inventors: **Gerald E. Mueller**, Eagan, MN (US);
Terry W. Marquardt, Hudson, WI (US)

5,820,005 A 10/1998 Perkitny et al.
D442,227 S 5/2001 Carlson et al.
D448,414 S 9/2001 Carlson et al.
D463,825 S * 10/2002 Carlson et al. D19/69
D491,985 S * 6/2004 Mueller et al. D19/69

(73) Assignee: **3M Innovative Properties Company**,
St. Paul, MN (US)

FOREIGN PATENT DOCUMENTS

WO WO 99/55790 11/1999

(**) Term: **14 Years**

OTHER PUBLICATIONS

(21) Appl. No.: **29/175,042**

2003 Staples Contract Division Supply Catalog, cover pages and pp. 432, 433, 435 and 437, published prior to Jan. 17, 2003.

(22) Filed: **Jan. 29, 2003**

2002 Office Depot Business Services Division Office Supply Catalog, Publication date: Jul. 10, 2002, cover page and pp. 3, 239, 240, 241 and 242.

(51) **LOC (8) Cl.** **19-02**

(52) **U.S. Cl.** **D19/69; D19/67**

(58) **Field of Search** D19/53, 65, 66,
D19/67, 68, 69, 89, 95, 99, 100; 225/7,
9, 11, 12, 19, 25, 34, 45, 56, 57, 65, 77,
89; 156/327, 523, 527, 577; 242/588, 588.1-588.6,
590

(Continued)

Primary Examiner—Martie K. Holtje
(74) *Attorney, Agent, or Firm*—George W. Jonas

(56) **References Cited**

(57) **CLAIM**

The ornamental design for a tape dispenser, as shown and described.

U.S. PATENT DOCUMENTS

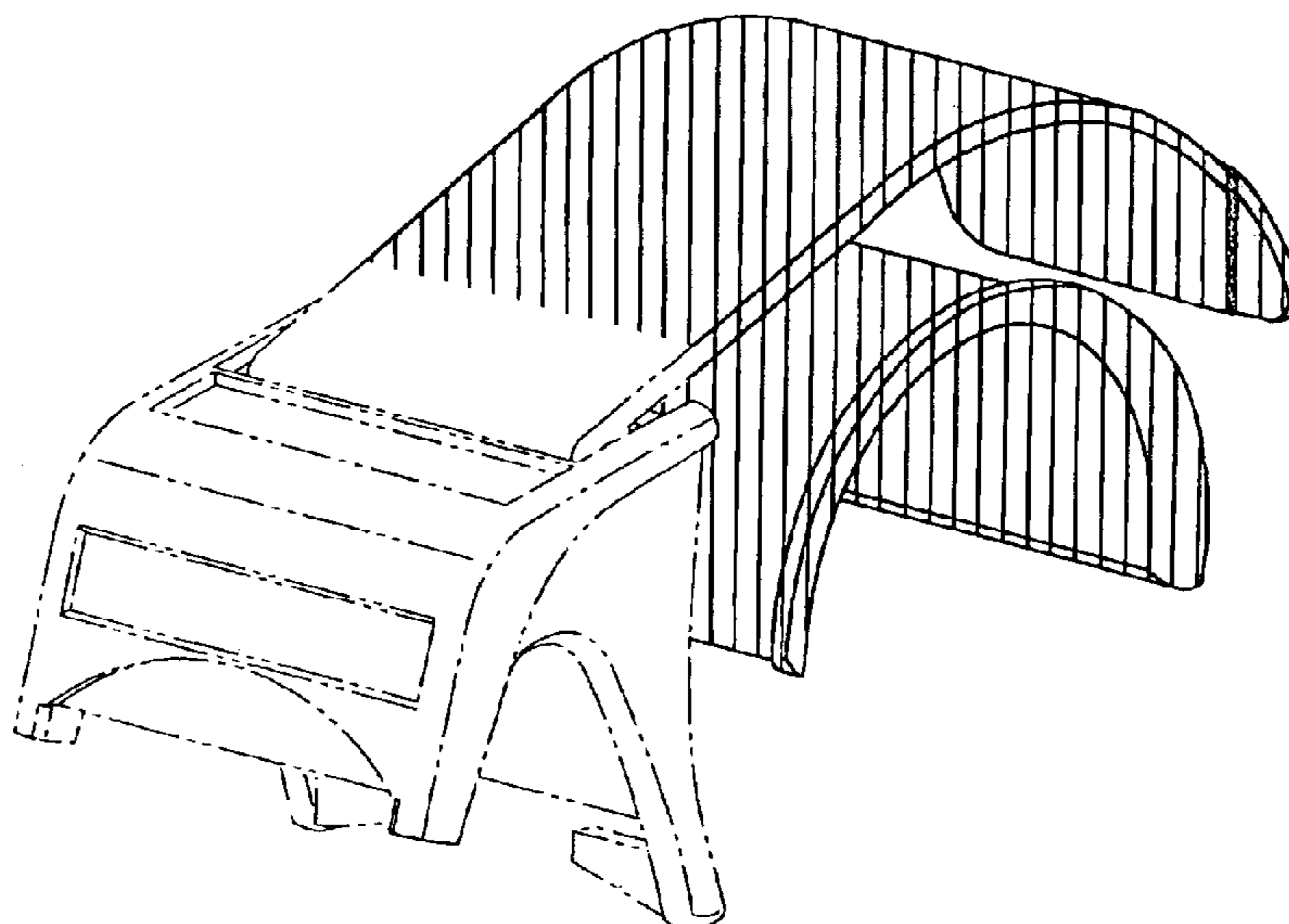
DESCRIPTION

D177,870 S 5/1956 Loeb
D179,091 S 10/1956 Pangburn
D197,157 S 12/1963 Casey
3,149,764 A * 9/1964 Waltz 225/57
D225,577 S 12/1972 Boyce
D239,620 S 4/1976 Fritzinger
D245,914 S 9/1977 Fritzinger
D259,643 S 6/1981 Pearson
4,961,525 A 10/1990 Corbo et al.
5,288,362 A * 2/1994 Shuh-Chin 156/523
5,363,997 A 11/1994 Harris
D361,086 S * 8/1995 Thompson et al. D19/69
D362,684 S 9/1995 Samuelson et al.
5,468,332 A 11/1995 Dretzka et al.
5,759,342 A 6/1998 Luhman et al.
5,792,310 A * 8/1998 Thompson et al. 156/523

FIG. 1 is a perspective view of a tape dispenser showing our new design;
FIG. 2 is a left side elevational view thereof;
FIG. 3 is a right side elevational view thereof;
FIG. 4 is a rear elevational view thereof;
FIG. 5 is a front elevational view thereof;
FIG. 6 is a top plan view thereof; and,
FIG. 7 is a bottom plan view thereof.

The structure depicted by means of broken lines is for illustrative purposes only and forms no part of the claimed design.

1 Claim, 3 Drawing Sheets



OTHER PUBLICATIONS

ULINE Fall/Winter 2002–2003 Shipping Supply Specialist Supply Catalog, cover and cover page, back page and pp. 232, 233, 235, 248 and 253, published prior to Jan. 17, 2003.
Excell Tape Dispenser Catalog, pp. 41, 42, 65, 66, 67, 68, 81, 82, 83, 84, 85, 86, 87, 88, 89, 90, published prior to Jan. 17, 2003.
“Armour tape dispenser & tapes”, published prior to Jan. 17, 2003, p. 1.

“Carriage tapes dispensers & tapes”, published prior to Jan. 17, 2003, p. 1.

Glory Formosa Co., Ltd. Catalog, pp. 1–5, published prior to Jan. 17, 2003.

3M Scotch Brand H–122 tape dispenser—perspective, top, bottom, front, rear, left and right side views, pp. 1–4, sold by 3M Company prior to Jan. 2002.

* cited by examiner

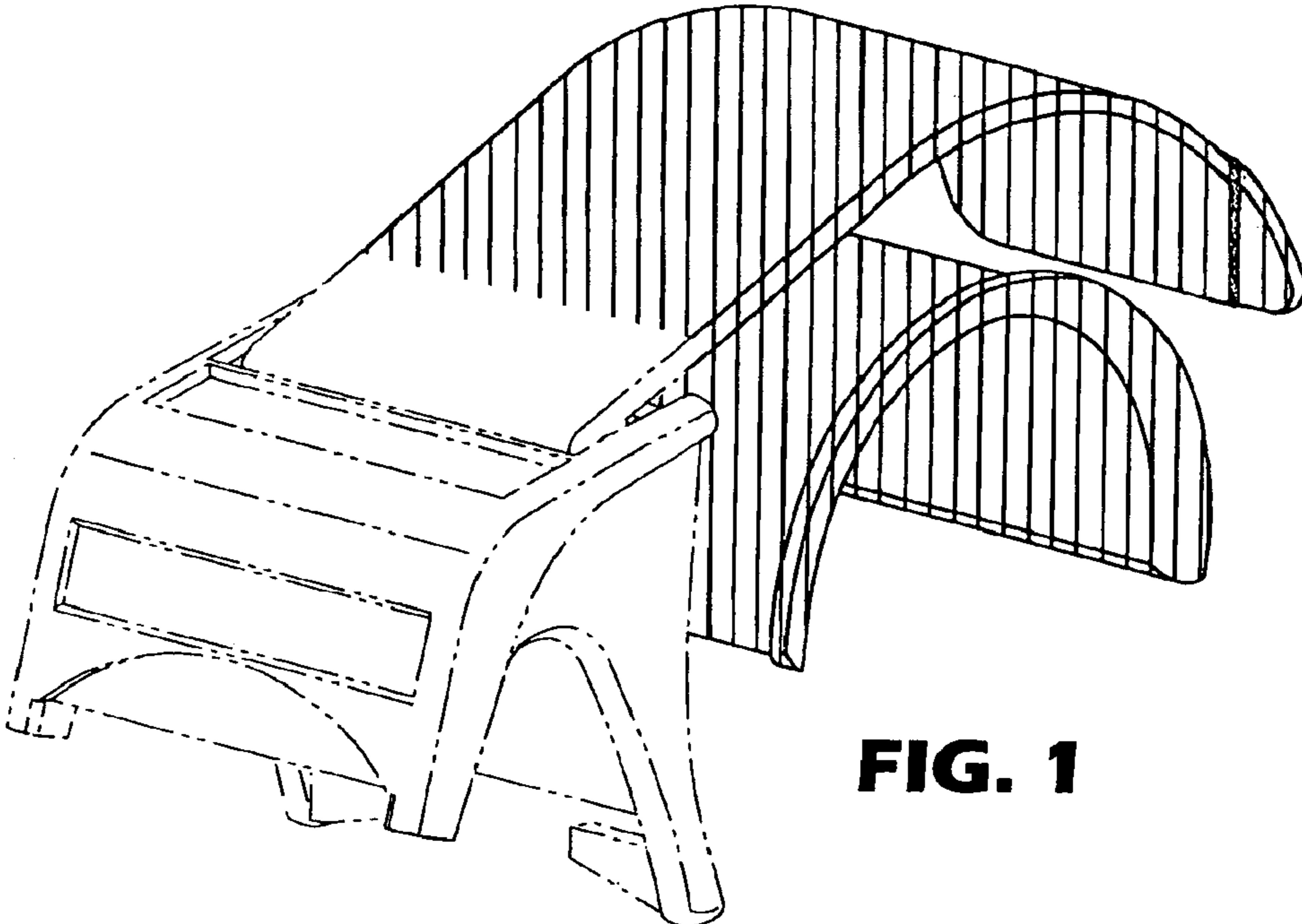


FIG. 1

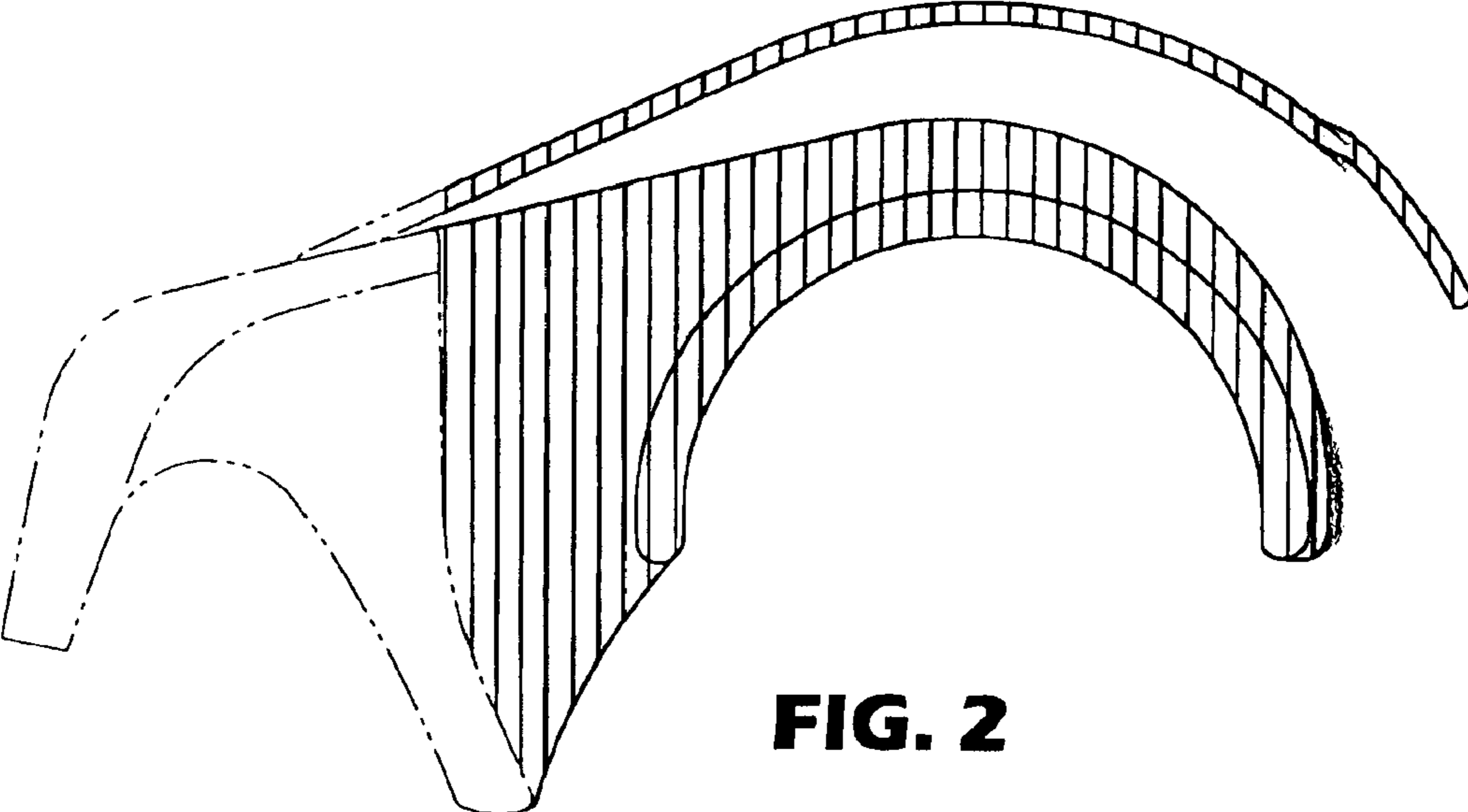


FIG. 2

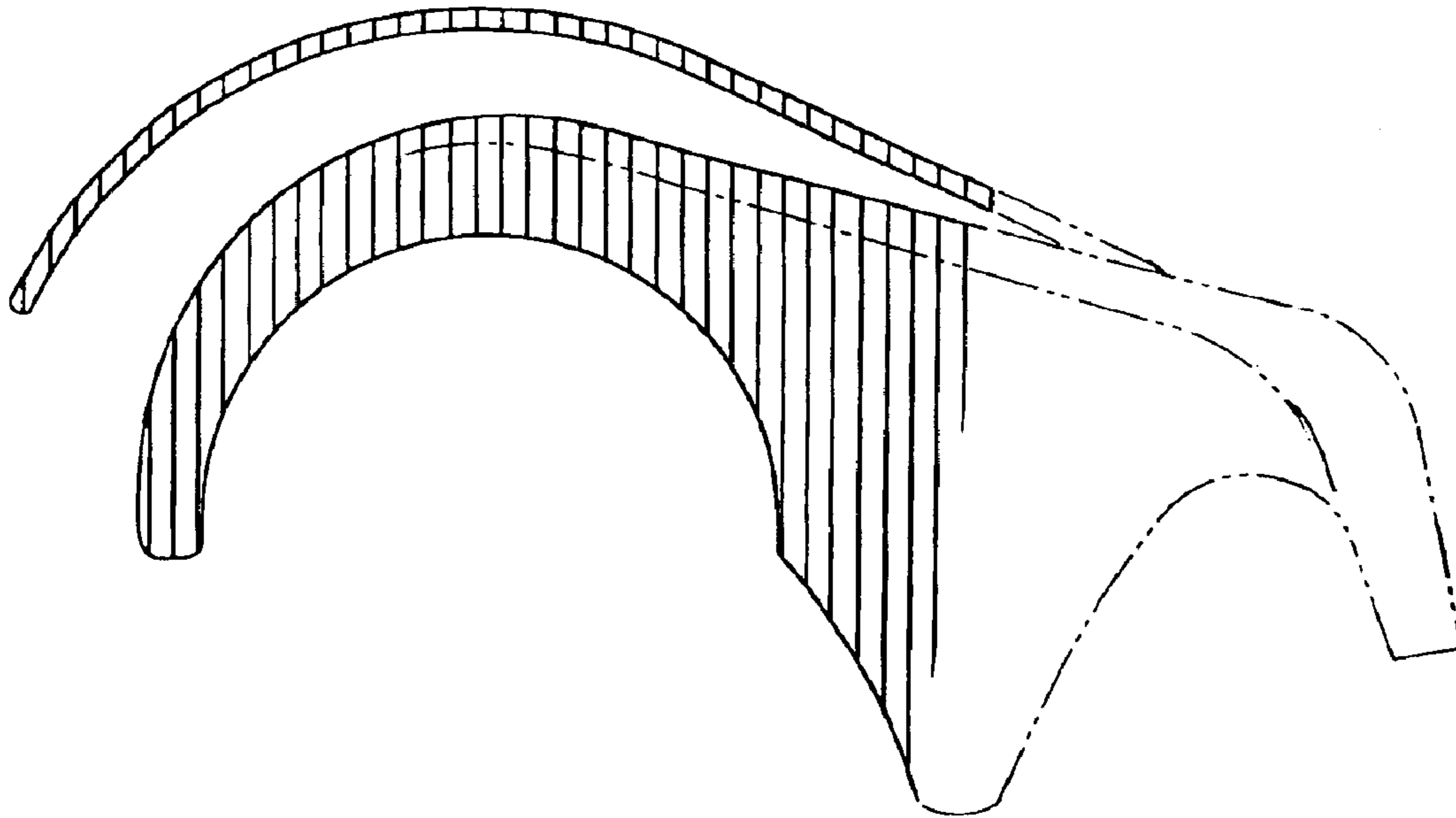


FIG. 3

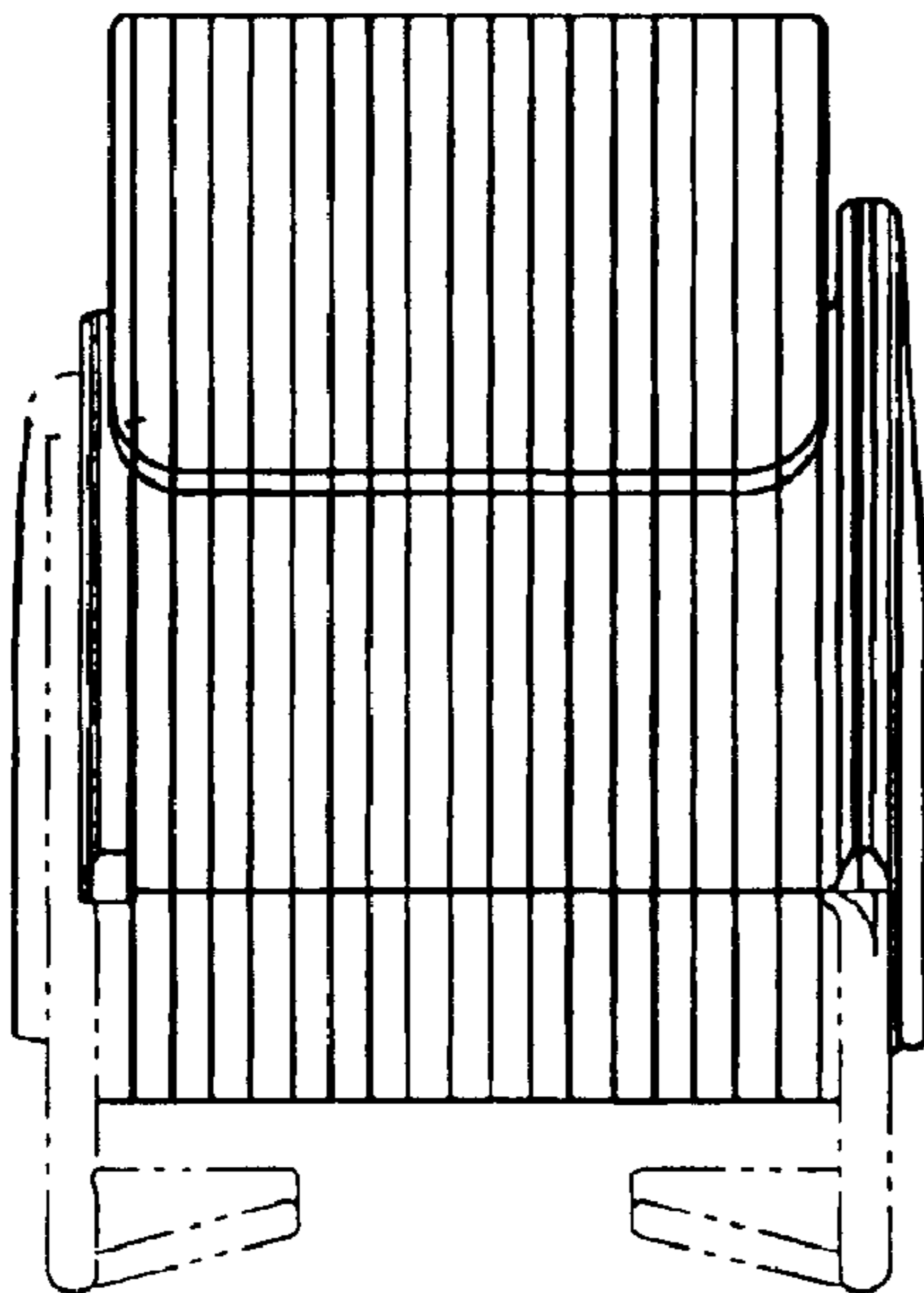


FIG. 4

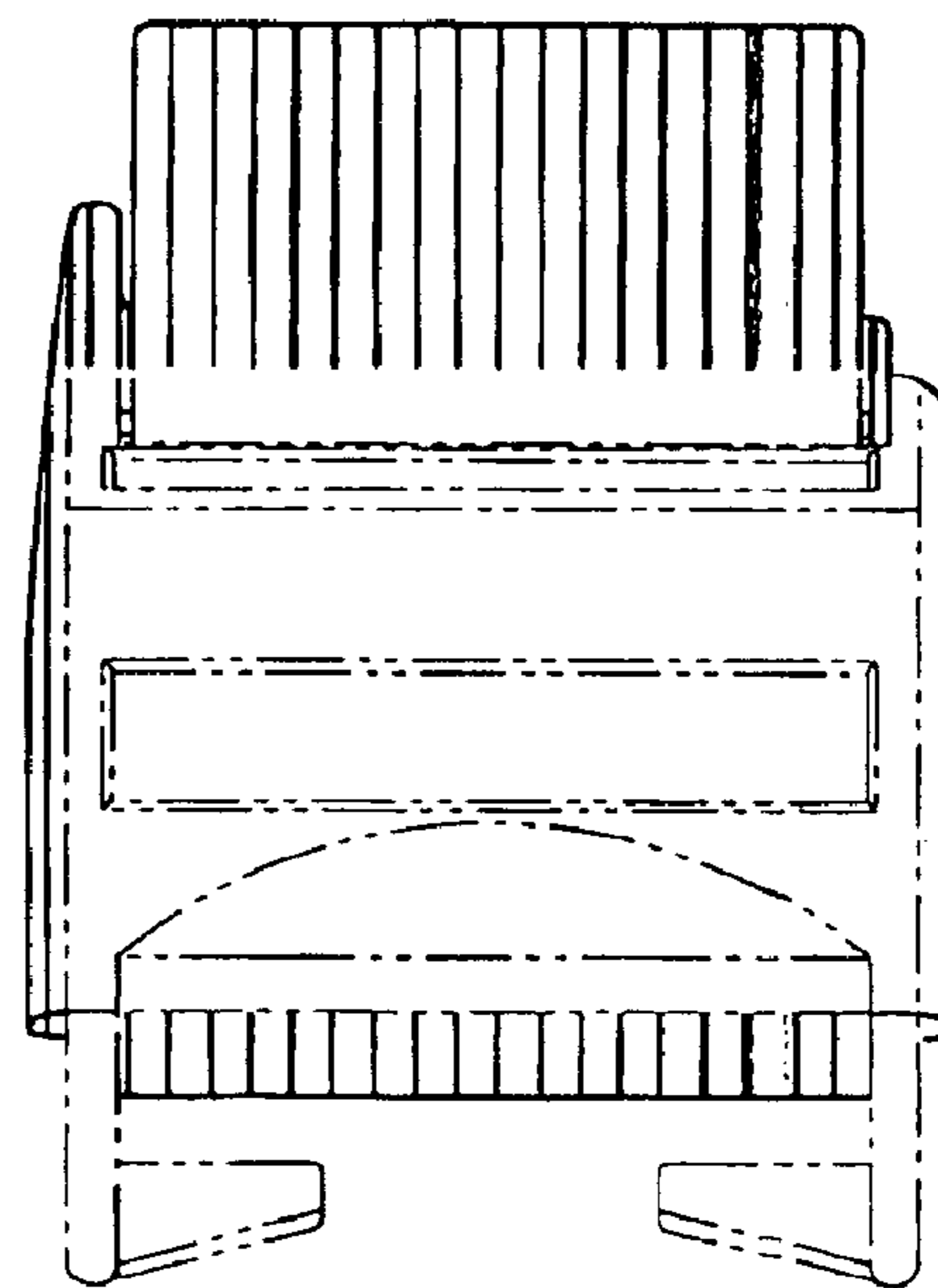


FIG. 5

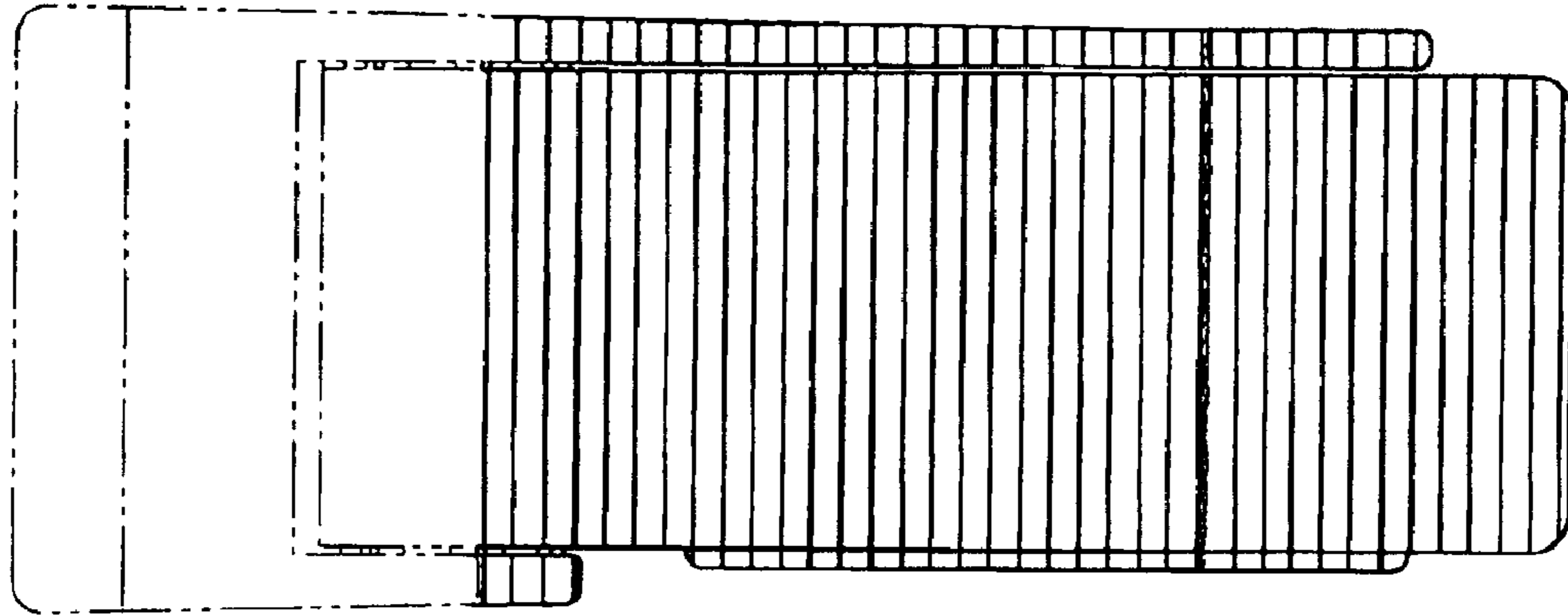


FIG. 6

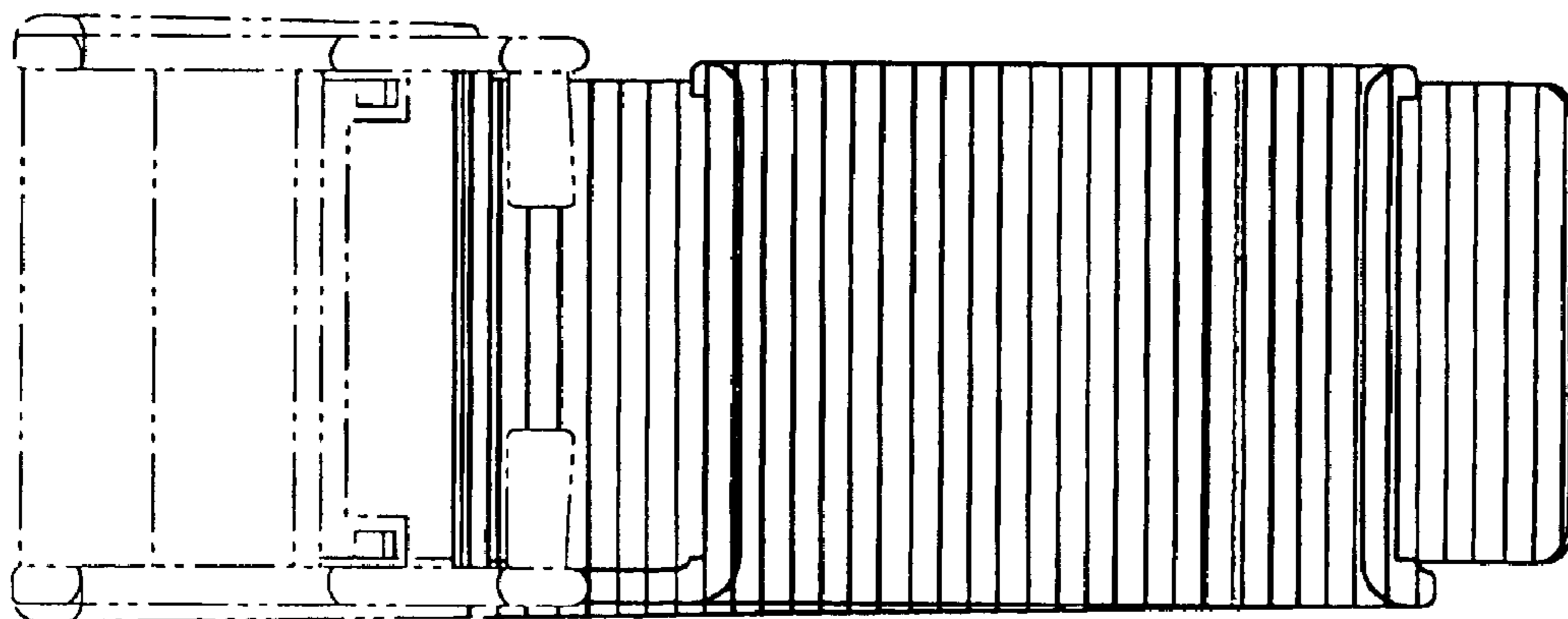


FIG. 7

UNITED STATES PATENT AND TRADEMARK OFFICE
CERTIFICATE OF CORRECTION

PATENT NO. : Des. 507,020 S
DATED : July 5, 2005
INVENTOR(S) : Mueller, Gerald E.

Page 1 of 1

It is certified that error appears in the above-identified patent and that said Letters Patent is hereby corrected as shown below:

Title page,

Item [57], **DESCRIPTION,**

Line 9, after "FIG. 7 is a bottom plan view thereof." and before "The structure depicted by" insert -- The drawing figures have been lined to indicate the color red. -- therefor.

Signed and Sealed this

Fifteenth Day of November, 2005

A handwritten signature in black ink that reads "Jon W. Dudas". The signature is written in a cursive style with a large, stylized initial "J".

JON W. DUDAS

Director of the United States Patent and Trademark Office