

US00D507014S

(12) **United States Design Patent**
Ito

(10) **Patent No.:** **US D507,014 S**
(45) **Date of Patent:** **** Jul. 5, 2005**

(54) **ELECTRONIC DRUM**
(75) **Inventor:** **Masafumi Ito, Shizuoka (JP)**
(73) **Assignee:** **Yamaha Corporation, Shizuoka (JP)**
(**) **Term:** **14 Years**

(21) **Appl. No.:** **29/196,440**
(22) **Filed:** **Dec. 31, 2003**

(30) **Foreign Application Priority Data**
Jul. 1, 2003 (JP) 2003-018901
Jul. 1, 2003 (JP) 2003-018902

(51) **LOC (8) Cl. 17-04**
(52) **U.S. Cl. D17/22**
(58) **Field of Search D17/22, 99; D21/405;**
84/411 R, 411 P, 723, 724, 730, 731-733

(56) **References Cited**
U.S. PATENT DOCUMENTS
4,648,302 A * 3/1987 Bozzio 84/730
4,800,795 A 1/1989 Yamashita
D319,650 S * 9/1991 Hart D17/22
5,105,710 A 4/1992 Rothmel

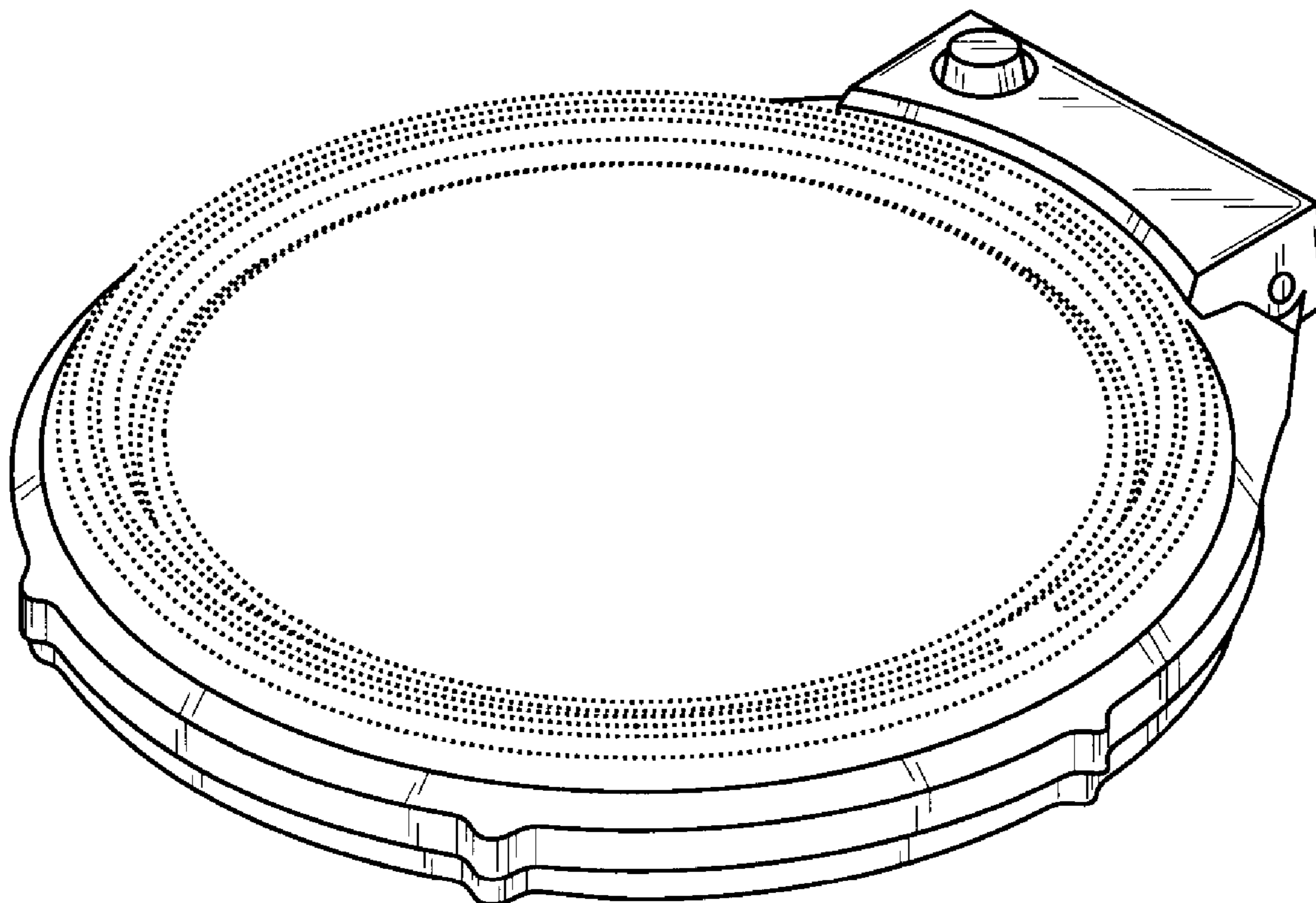
D350,762 S * 9/1994 Ohno D17/22
5,583,307 A * 12/1996 Tobia, Jr. 84/411 R
6,102,358 A * 8/2000 McLeary 84/411 R
6,828,494 B2 * 12/2004 Toda 84/411 R

* cited by examiner
Primary Examiner—Adir Aronovich
(74) *Attorney, Agent, or Firm*—Sughrue Mion, PLLC

(57) **CLAIM**
The ornamental design for a electronic drum, as shown and described.

DESCRIPTION
FIG. 1 is a perspective view of the top, front and right side of an electronic drum showing my new design;
FIG. 2 is a front elevational view thereof;
FIG. 3 is a rear elevational view thereof;
FIG. 4 is a right side elevational view thereof;
FIG. 5 is a left side elevational view thereof;
FIG. 6 is a top plan view thereof; and,
FIG. 7 is a bottom plan view thereof.
The portions of the drum in broken lines are shown for illustrative purposes only and form no part of the claimed design.

1 Claim, 3 Drawing Sheets



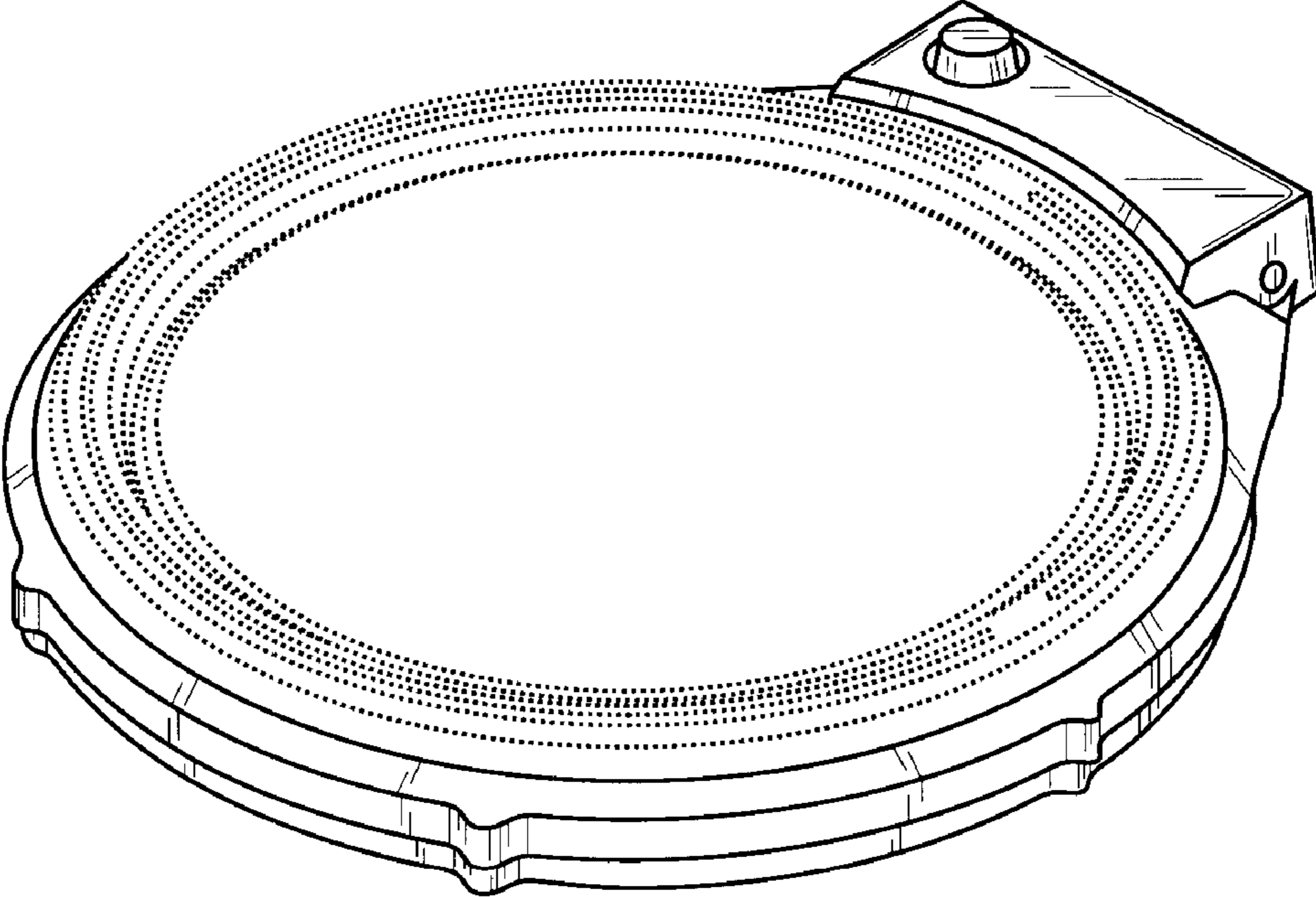


Fig. 1

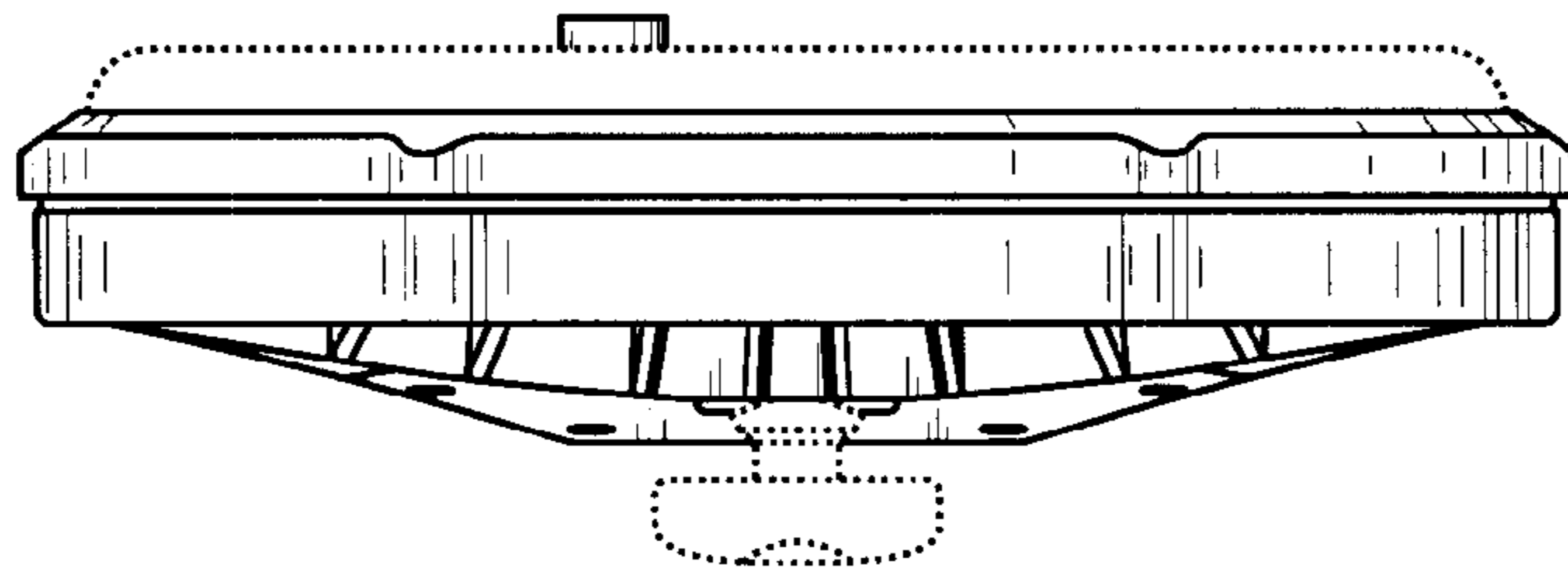


Fig. 2

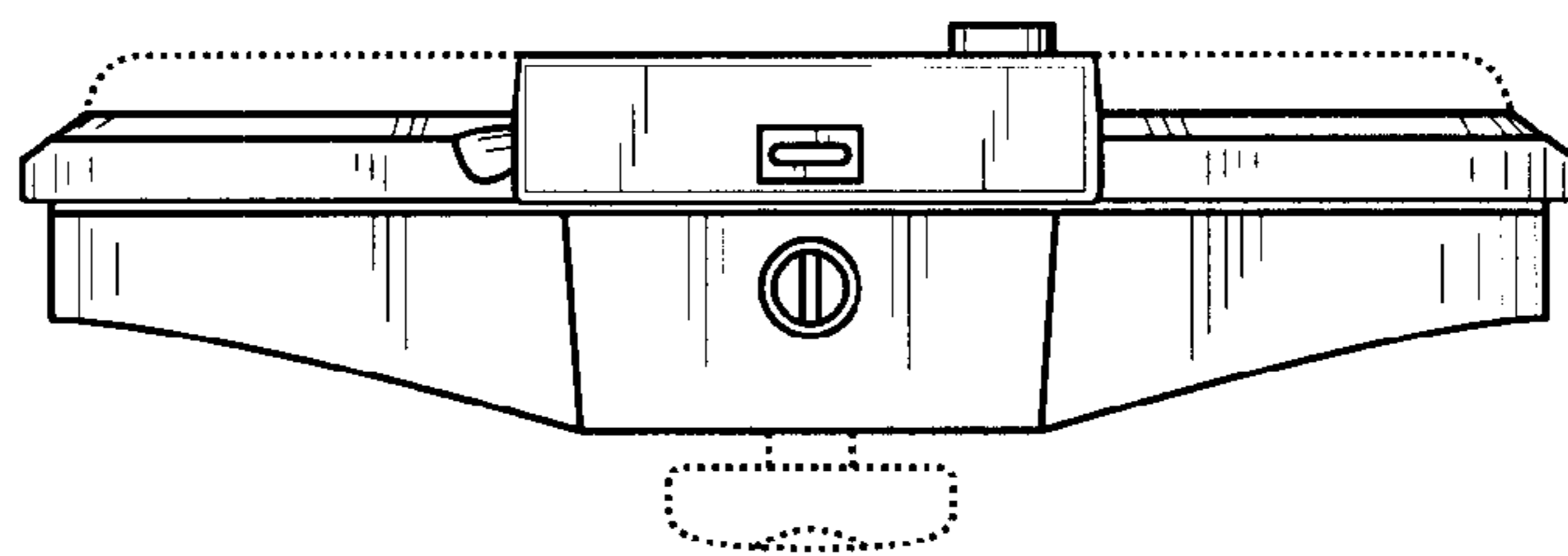


Fig. 3

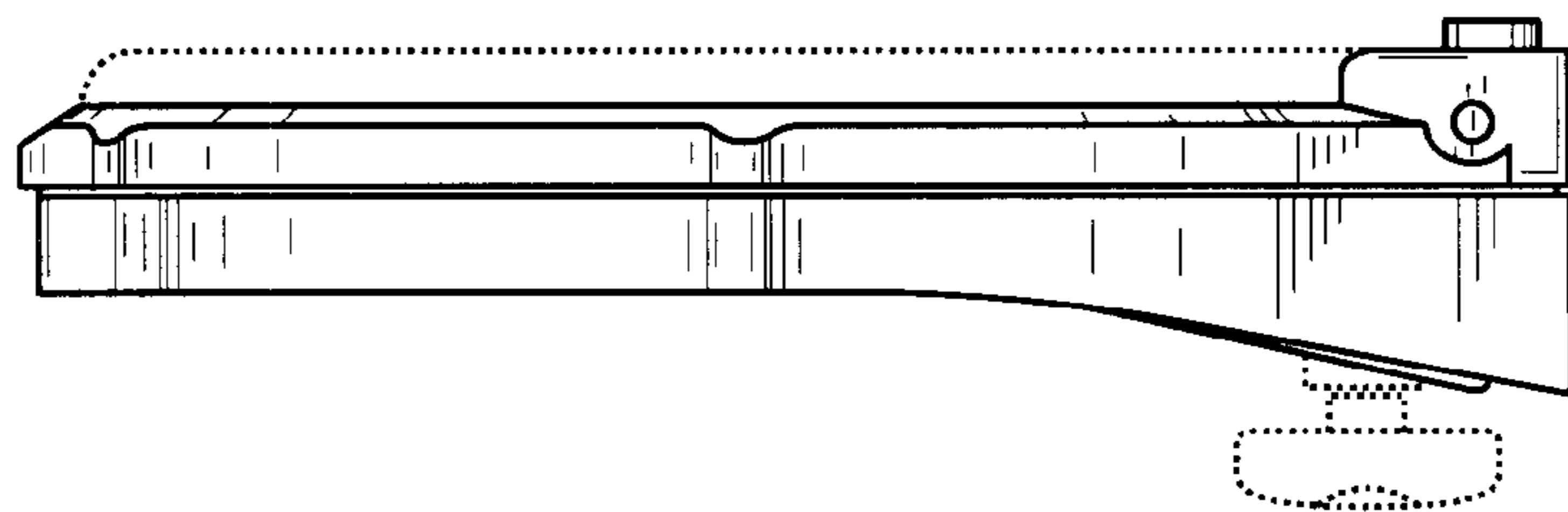


Fig. 4

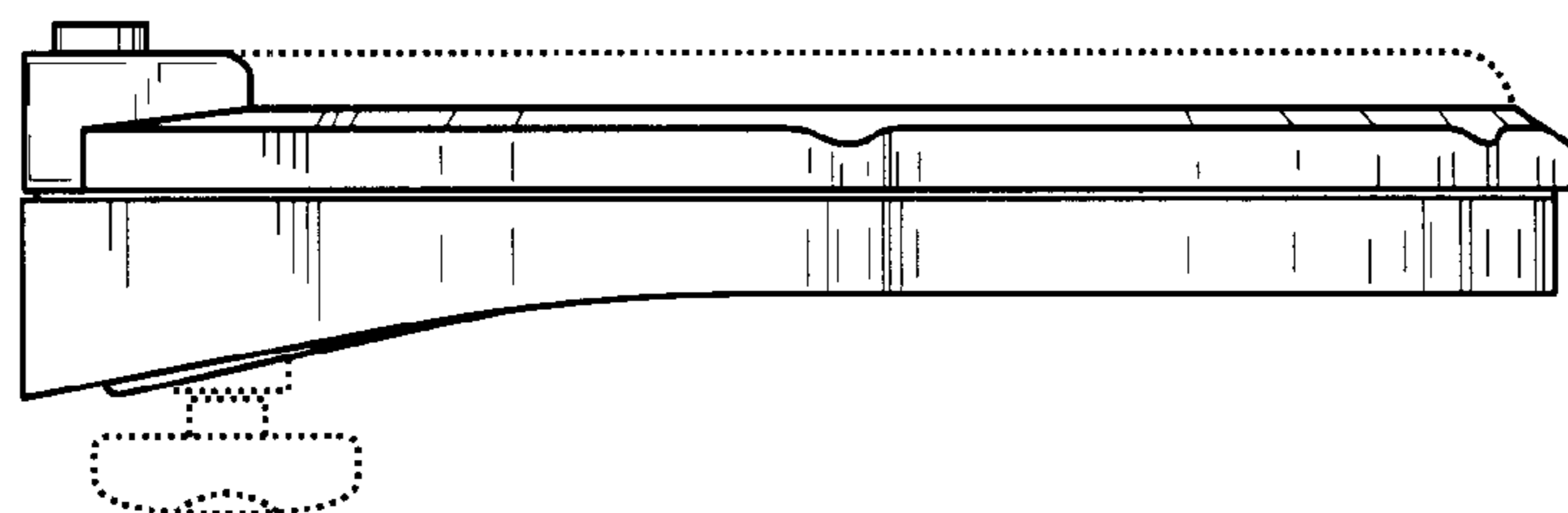


Fig. 5

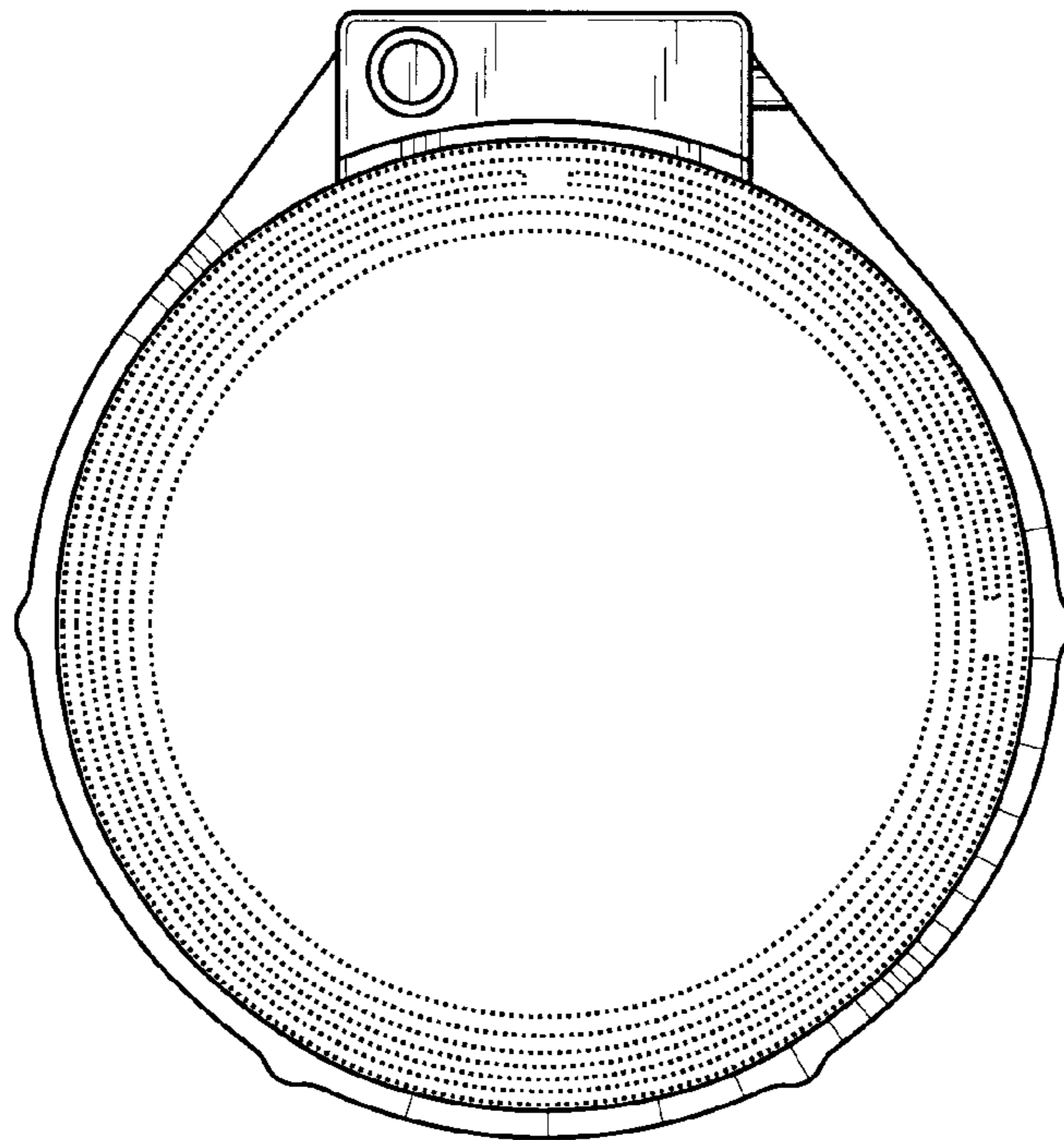


Fig. 6

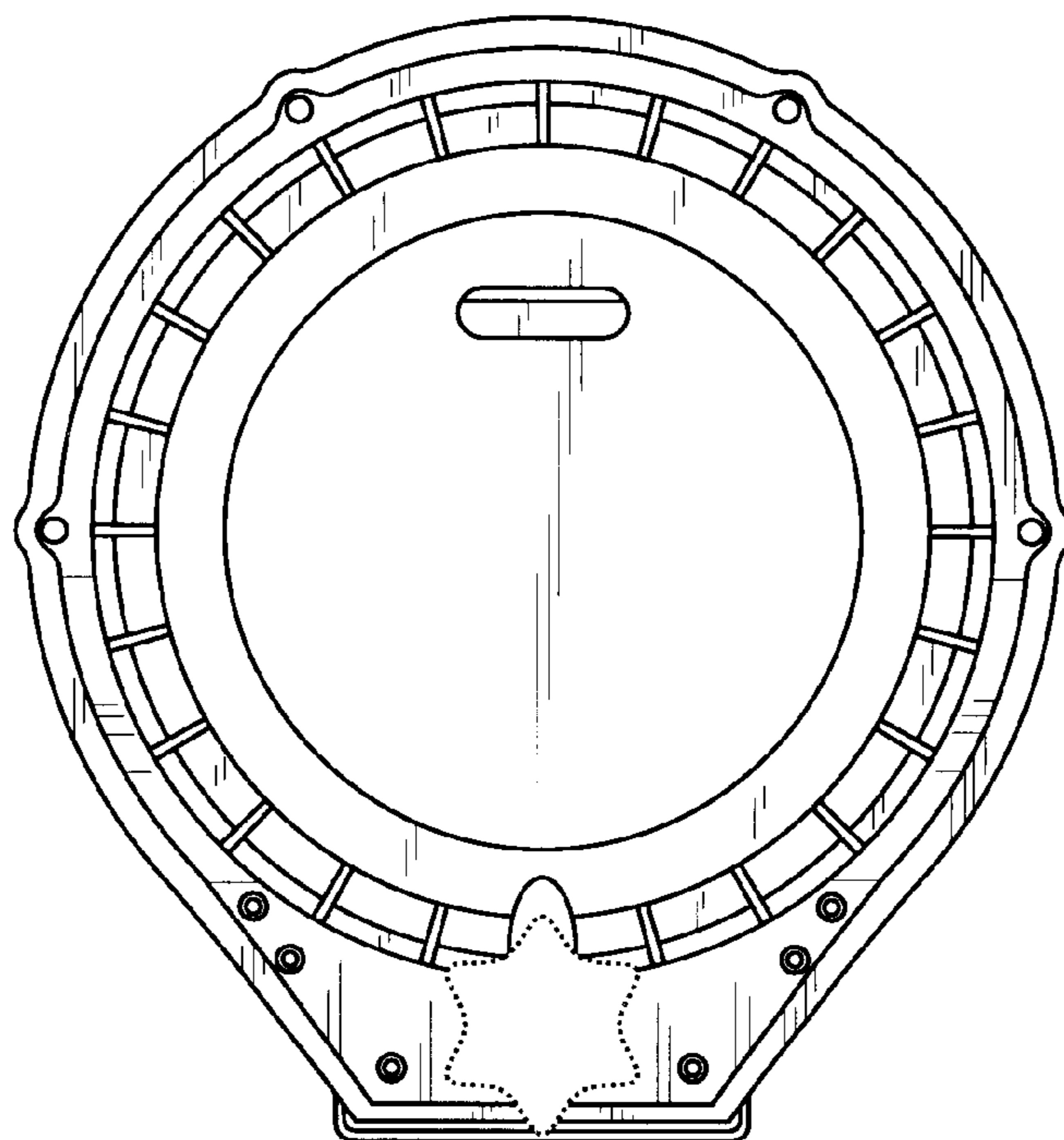


Fig. 7