

US00D507013S

(12) **United States Design Patent**  
**Ichikawa**

(10) **Patent No.:** **US D507,013 S**  
(45) **Date of Patent:** **\*\* Jul. 5, 2005**

(54) **LEGS FOR A PIANO**

(75) **Inventor:** **Tomonori Ichikawa, Shizuoka (JP)**

(73) **Assignee:** **Yamaha Corporation, Shizuoka (JP)**

(\*\*) **Term:** **14 Years**

(21) **Appl. No.:** **29/195,956**

(22) **Filed:** **Dec. 22, 2003**

(30) **Foreign Application Priority Data**

Aug. 28, 2003 (JP) ..... 2003-024997

(51) **LOC (8) Cl.** ..... **17-01**

(52) **U.S. Cl.** ..... **D17/9**

(58) **Field of Search** ..... D6/487, 488, 499;  
D17/1, 2, 5-7, 8, 9; D21/409; 84/174-177,  
423 R, 428, 713, 719, 744, DIG. 7

(56) **References Cited**

**U.S. PATENT DOCUMENTS**

D113,409 S \* 2/1939 Vavrik ..... D6/487  
D155,125 S \* 9/1949 Castelli ..... D6/488  
2,974,555 A \* 3/1961 Andersen ..... 84/177

4,455,912 A \* 6/1984 Tagaki ..... 84/177  
D349,415 S \* 8/1994 Peterson ..... D6/487  
D484,335 S \* 12/2003 Murphy ..... D6/487

\* cited by examiner

*Primary Examiner*—Adir Aronovich

(74) *Attorney, Agent, or Firm*—Sughrue Mion, PLLC

(57) **CLAIM**

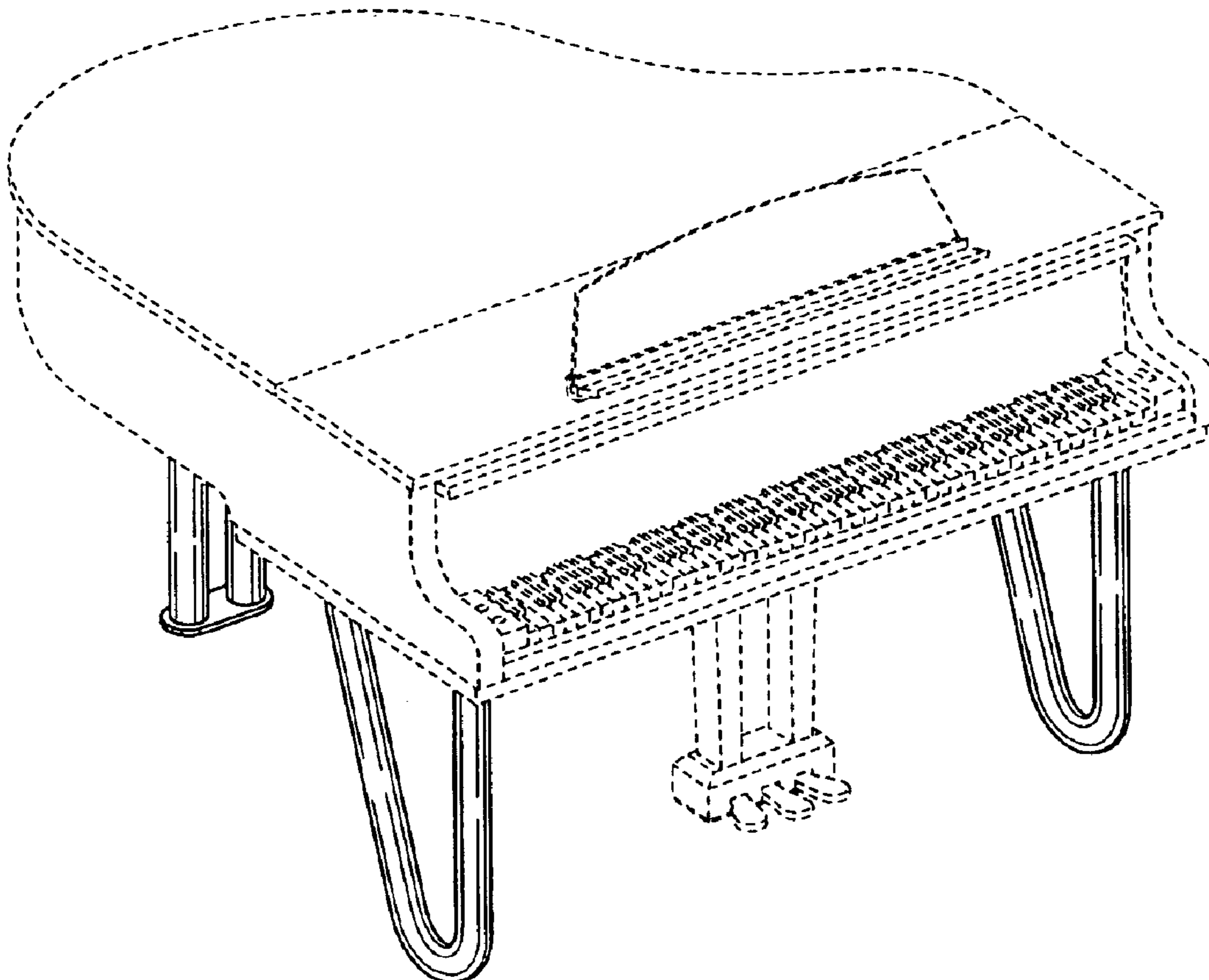
The ornamental design for legs for a piano, as shown and described.

**DESCRIPTION**

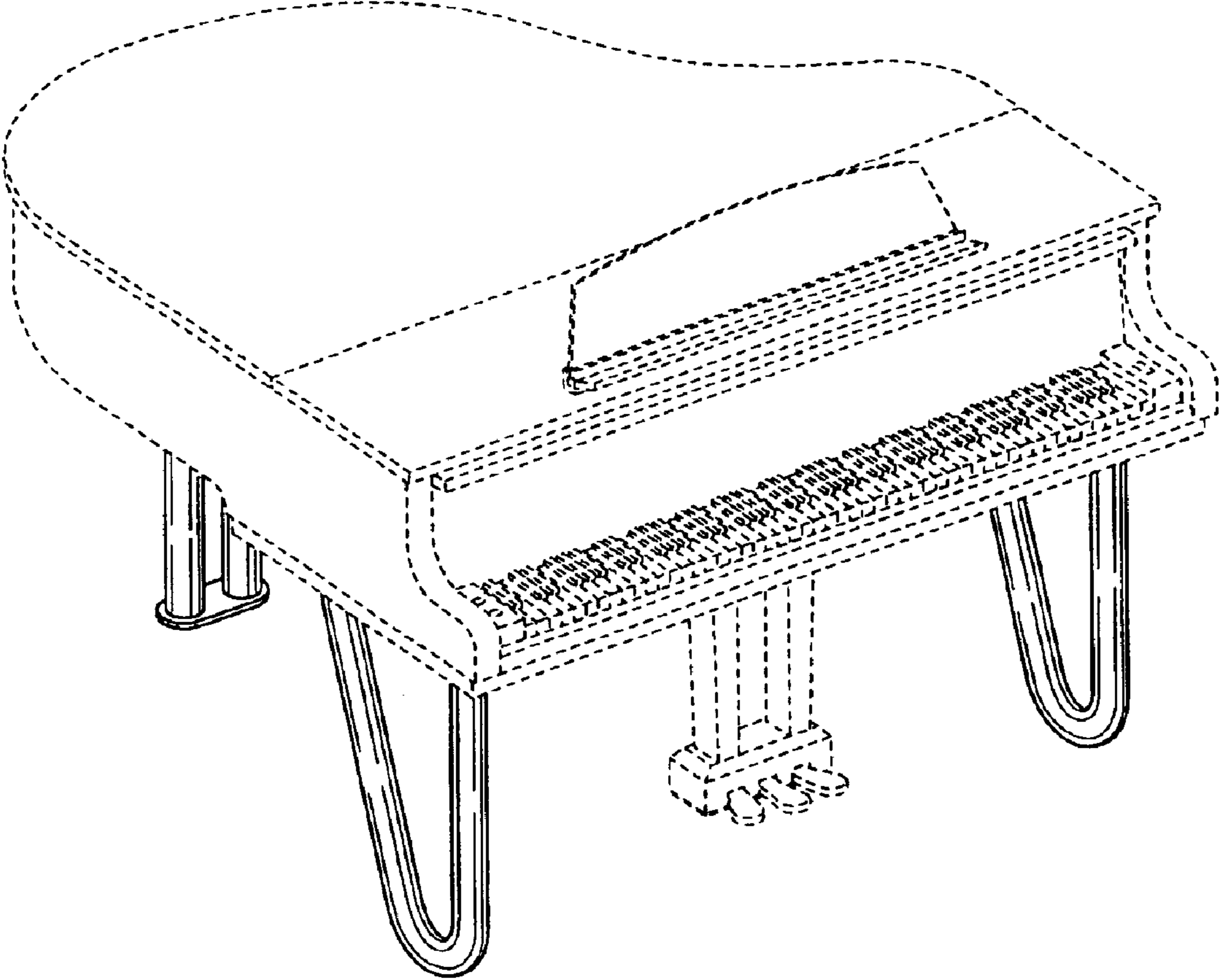
FIG. 1 is a perspective view of the top, front and left side of legs for a piano showing my new design;  
FIG. 2 is a top plan view thereof;  
FIG. 3 is a front elevational view thereof;  
FIG. 4 is a right side elevational view thereof;  
FIG. 5 is a left side elevational view thereof;  
FIG. 6 is a rear elevational view thereof; and,  
FIG. 7 is a bottom plan view thereof.

The portions of the piano in broken lines are shown for illustrative purposes only and form no part of the claimed design.

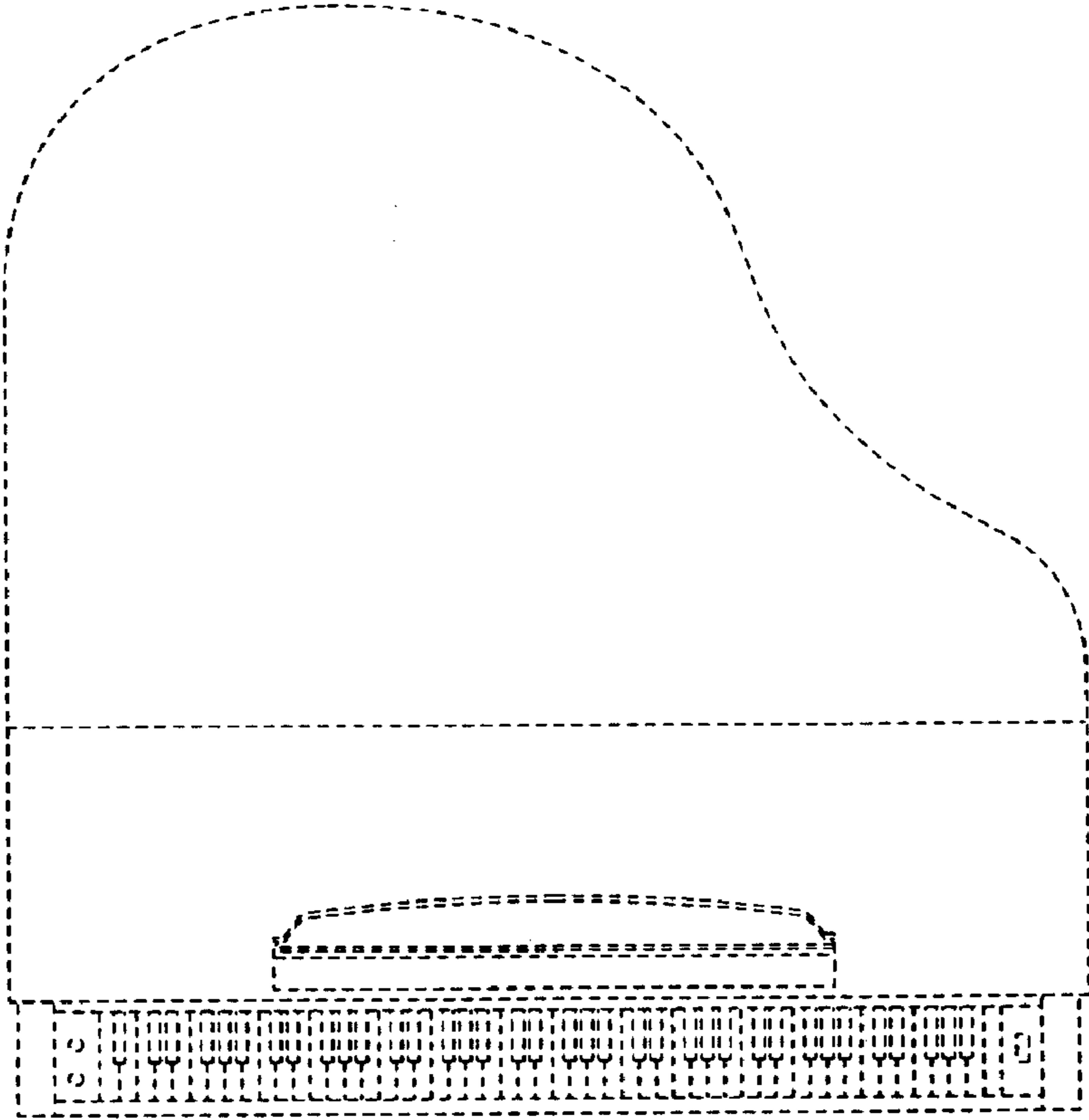
**1 Claim, 4 Drawing Sheets**



*FIG. 1*



*FIG. 2*



*FIG. 3*

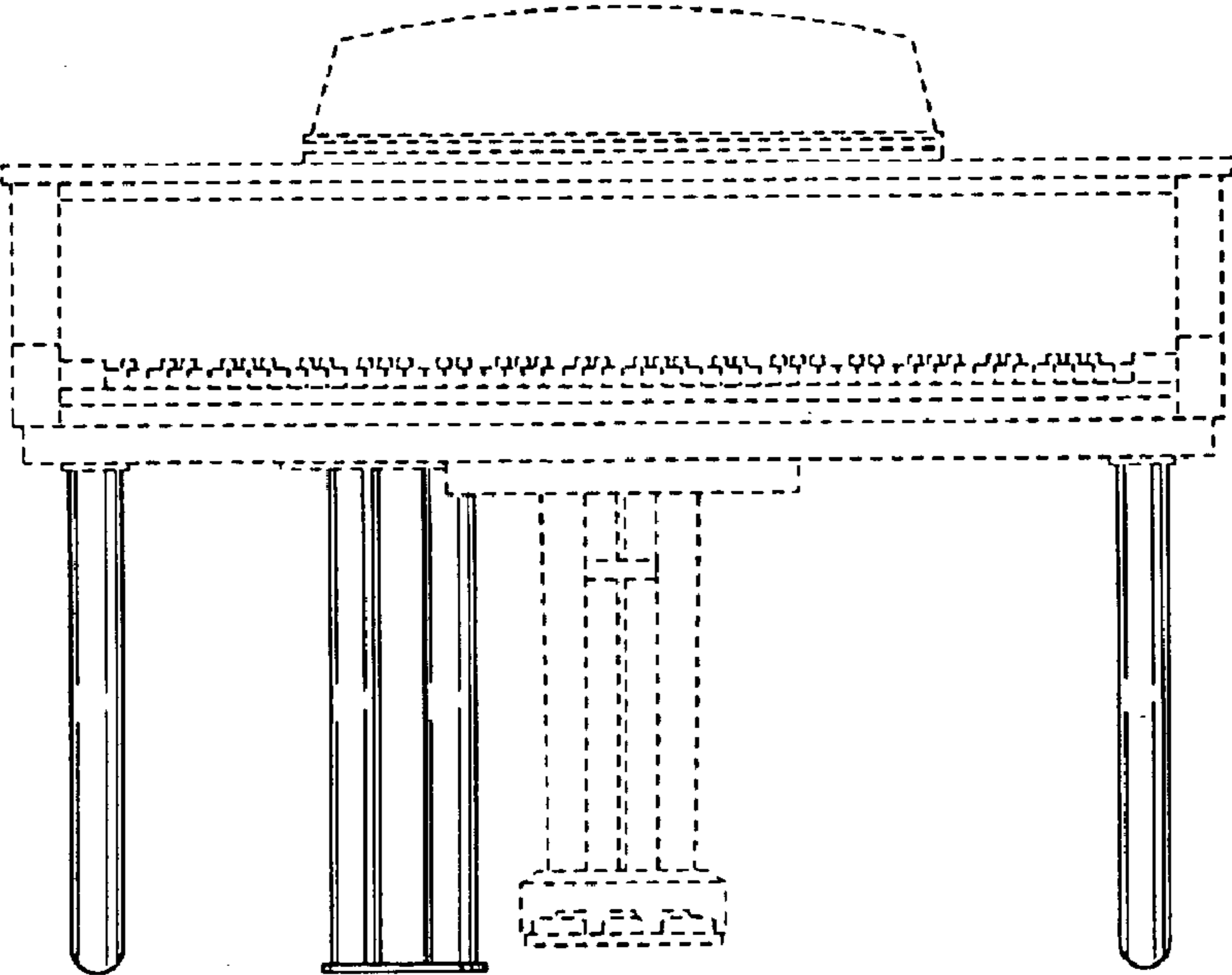


FIG. 4

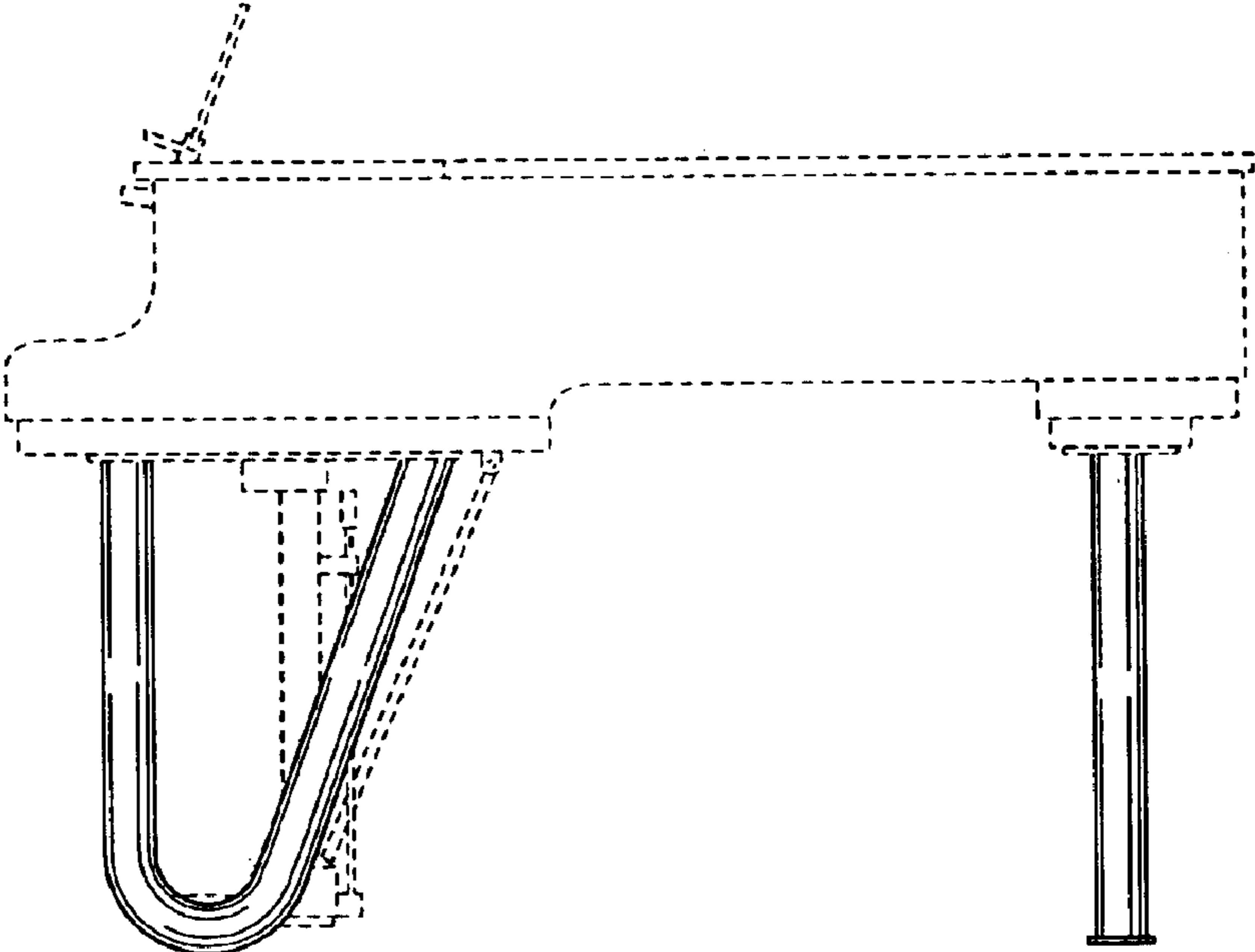
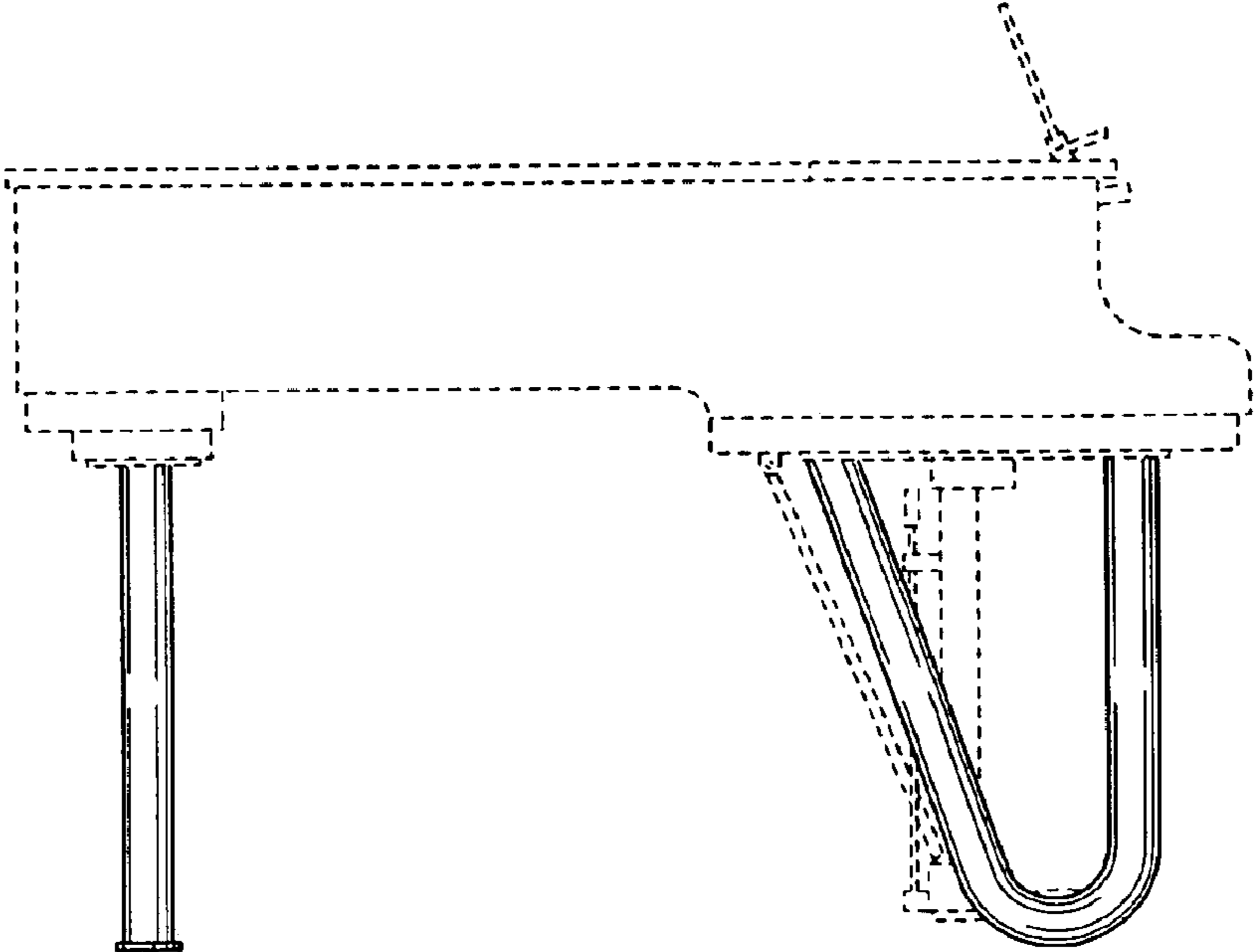
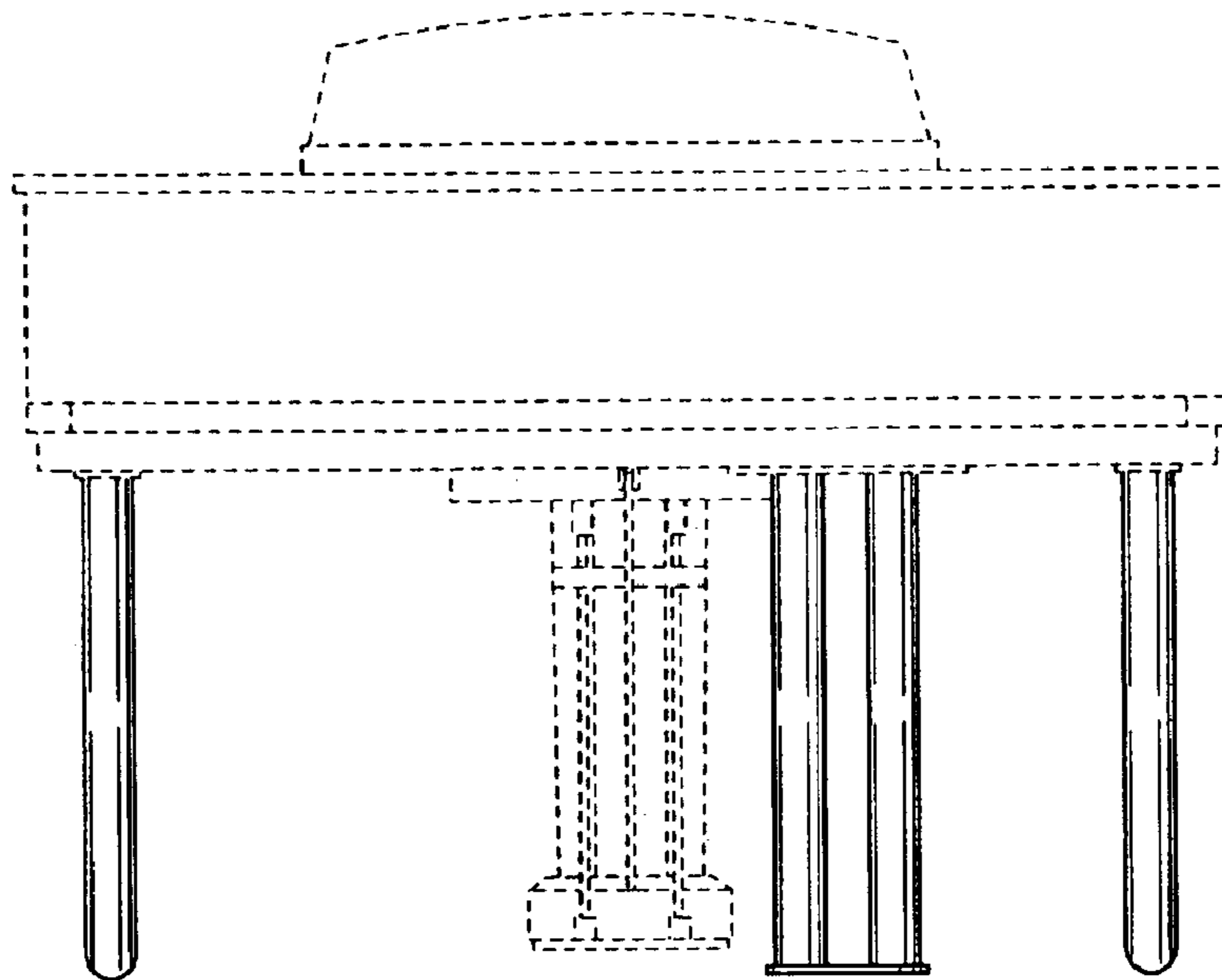


FIG. 5



*FIG. 6*



*FIG. 7*

