

US00D507012S

(12) **United States Design Patent** (10) **Patent No.:** **US D507,012 S**
Ichikawa (45) **Date of Patent:** **** Jul. 5, 2005**

(54) **LEGS FOR A PIANO**
(75) Inventor: **Tomonori Ichikawa**, Shizuoka (JP)
(73) Assignee: **Yamaha Corporation**, Shizuoka (JP)
(**) Term: **14 Years**

(21) Appl. No.: **29/195,955**
(22) Filed: **Dec. 22, 2003**
(30) **Foreign Application Priority Data**

Aug. 28, 2003 (JP) 2003-024999
Aug. 28, 2003 (JP) 2003-025000
(51) **LOC (8) Cl.** **17-01**
(52) **U.S. Cl.** **D17/9**
(58) **Field of Search** D6/487, 488, 499;
D17/1, 2, 5-7, 8, 9; D21/409; 84/174-177,
423 R, 428, 713, 719, 744, DIG. 7

(56) **References Cited**
U.S. PATENT DOCUMENTS

D113,409 S	*	2/1939	Vavrik	D6/487
D155,125 S	*	9/1949	Castelli	D6/488
2,974,555 A	*	3/1961	Andersen	84/177
D246,341 S	*	11/1977	Boughton	D6/487
4,455,912 A	*	6/1984	Tagaki	84/177
D484,335 S	*	12/2003	Murphy	D6/487

* cited by examiner

Primary Examiner—Adir Aronovich
(74) *Attorney, Agent, or Firm*—Sughrue Mion, PLLC

(57) **CLAIM**

The ornamental design for legs for a piano, as shown and described.

DESCRIPTION

FIG. 1 is a perspective view of the top, front and left side of legs for a piano according to a first embodiment showing my new design;
FIG. 2 is a top plan view thereof;
FIG. 3 is a front elevational view thereof;
FIG. 4 is a right side elevational view thereof;
FIG. 5 is a left side elevational view thereof;
FIG. 6 is a rear elevational view thereof;
FIG. 7 is a bottom plan view thereof;
FIG. 8 is a perspective view of the top, front and left side of legs for a piano according to a second embodiment;
FIG. 9 is a top plan view thereof;
FIG. 10 is a front elevational view thereof;
FIG. 11 is a right side elevational view thereof;
FIG. 12 is a left side elevational view thereof;
FIG. 13 is a rear elevational view thereof; and,
FIG. 14 is a bottom plan view thereof.

The portions of the piano in broken lines are shown for illustrative purposes only and form no part of the claimed design.

1 Claim, 8 Drawing Sheets

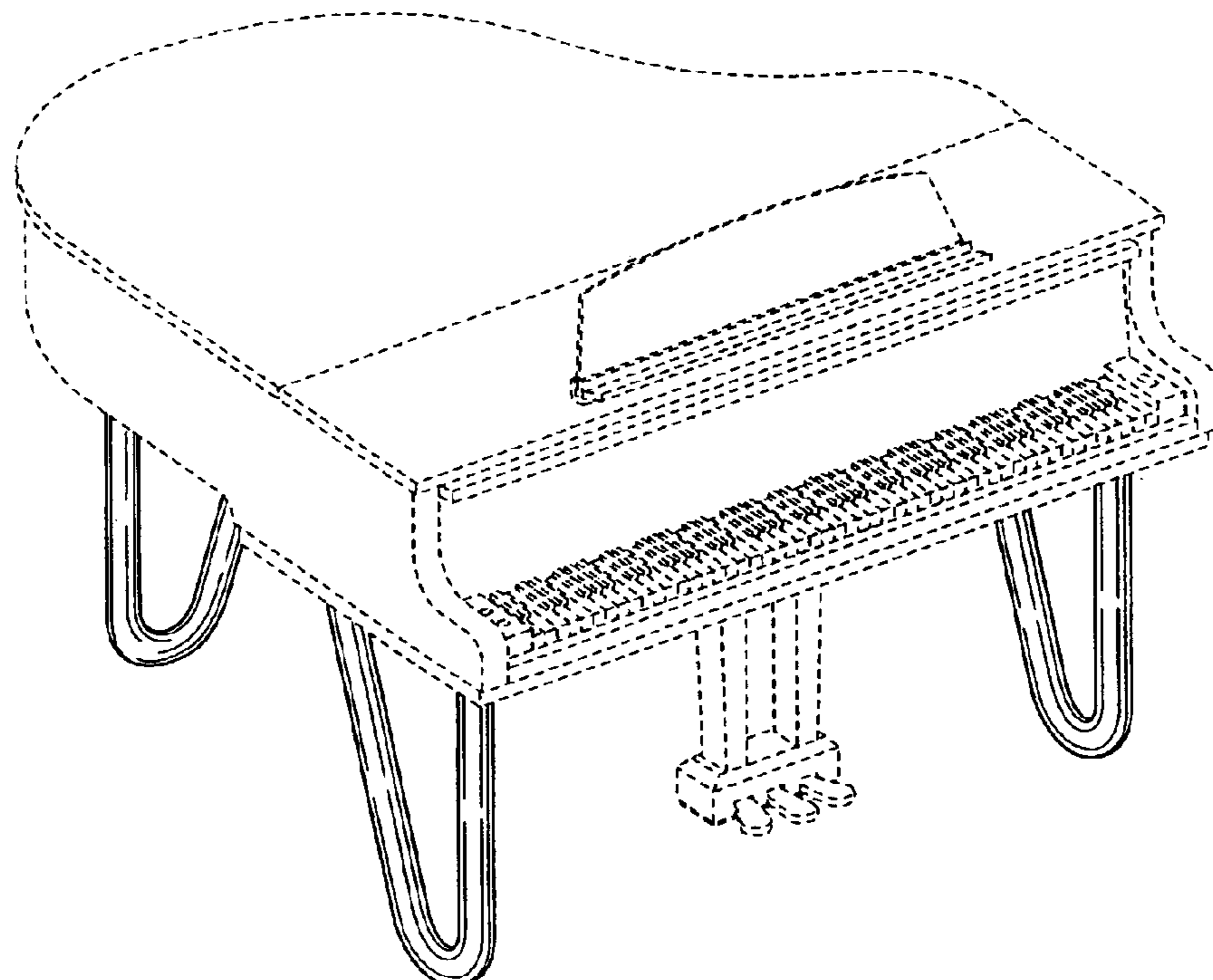


FIG. 1

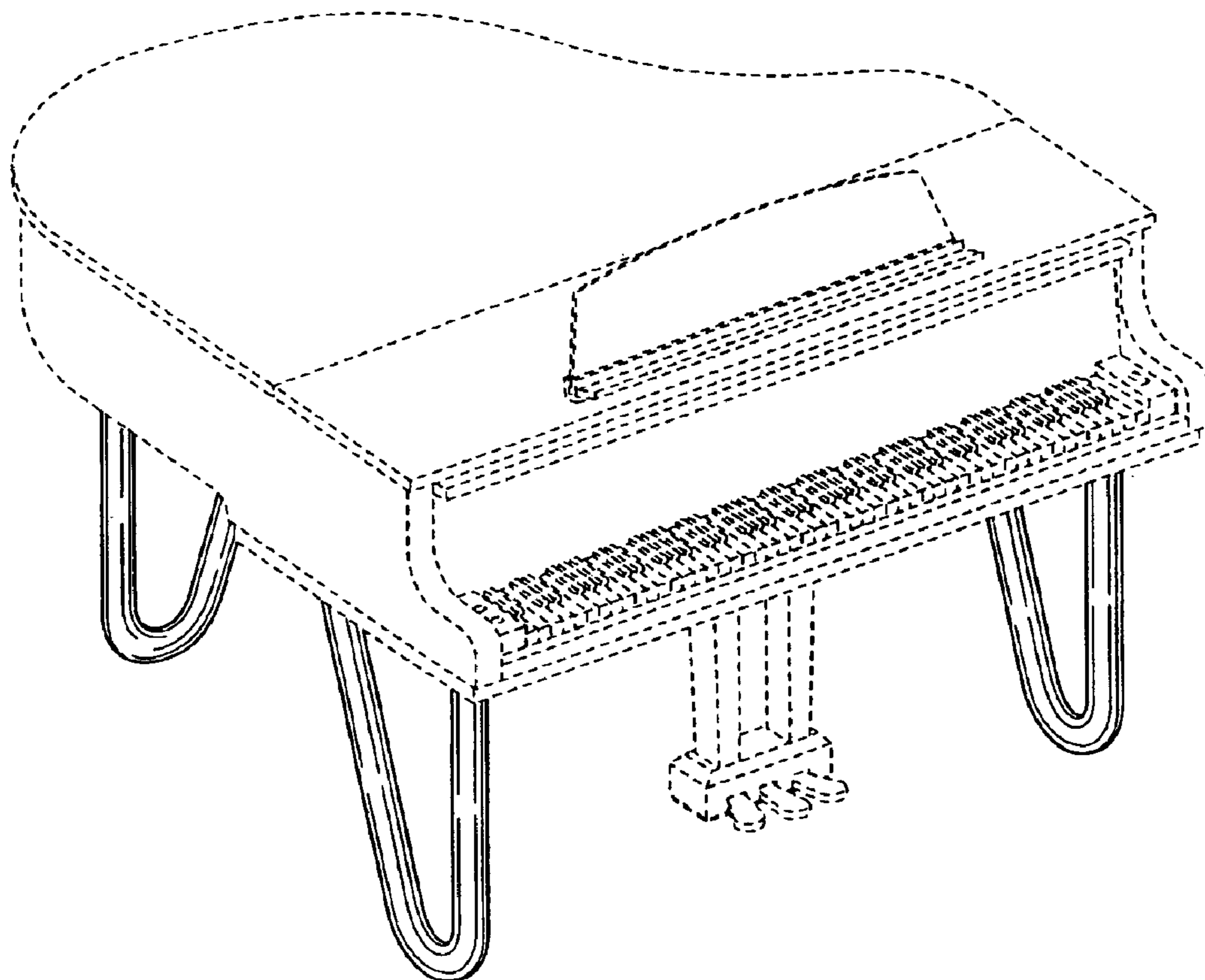


FIG. 2

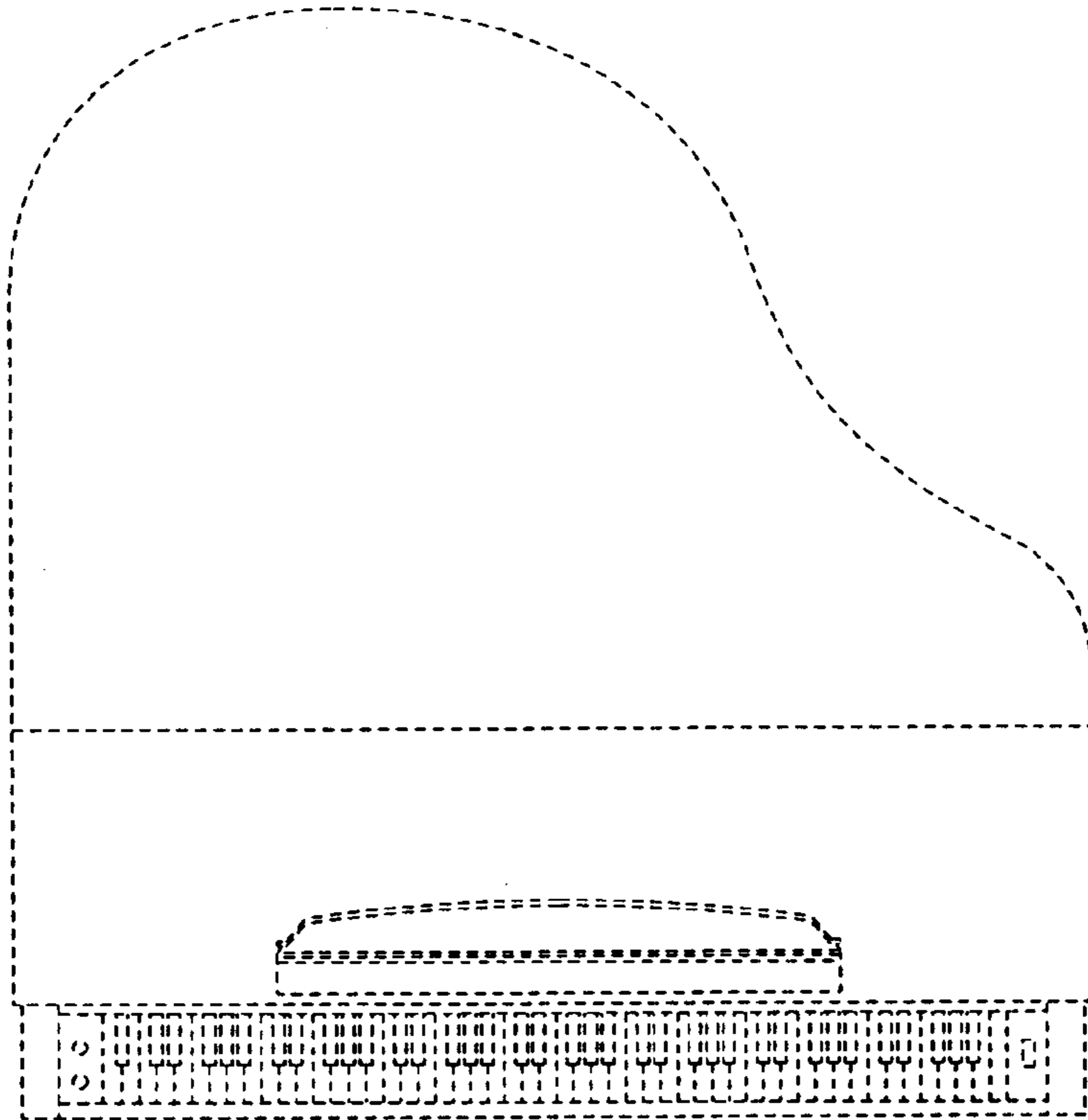


FIG. 3

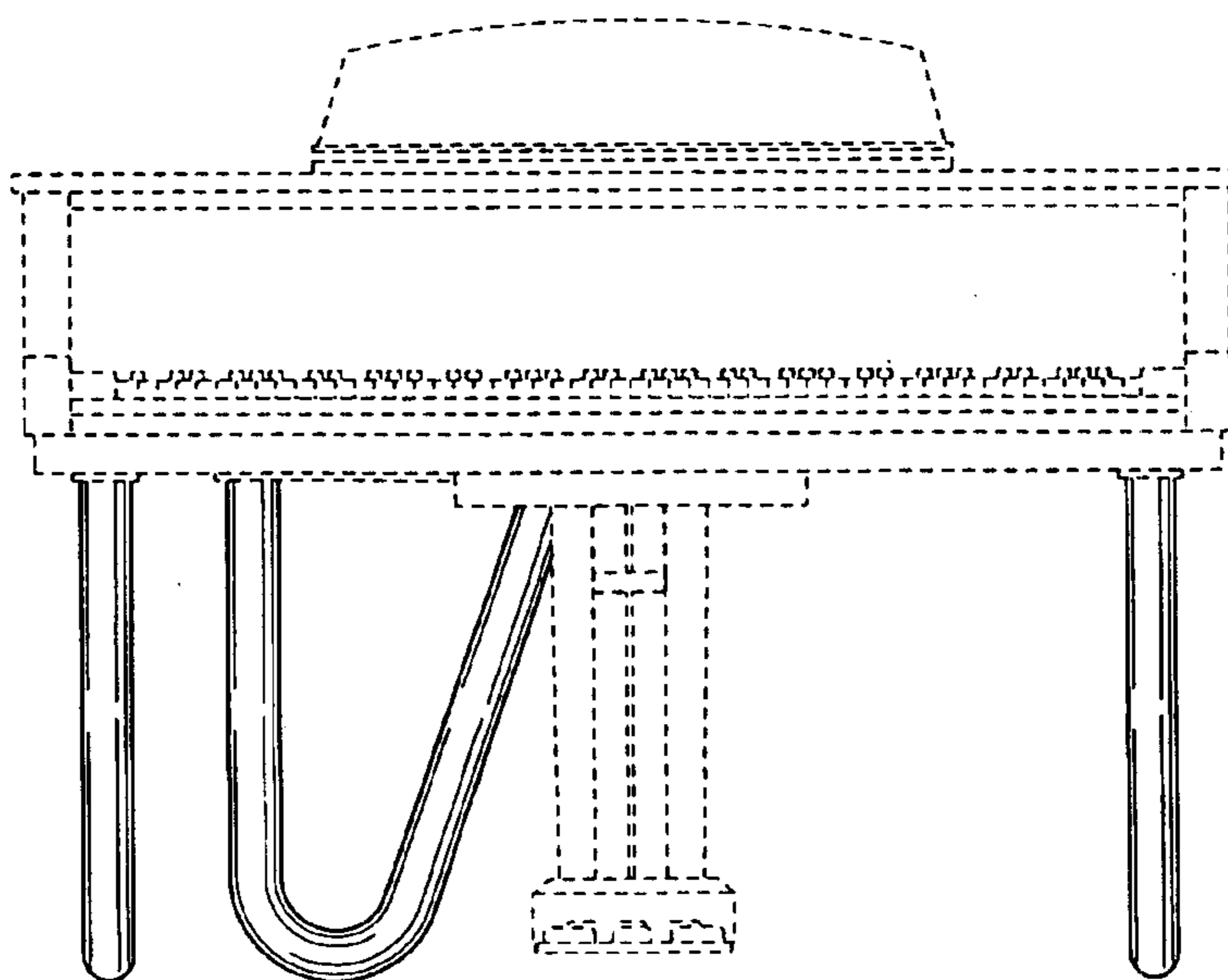


FIG. 4

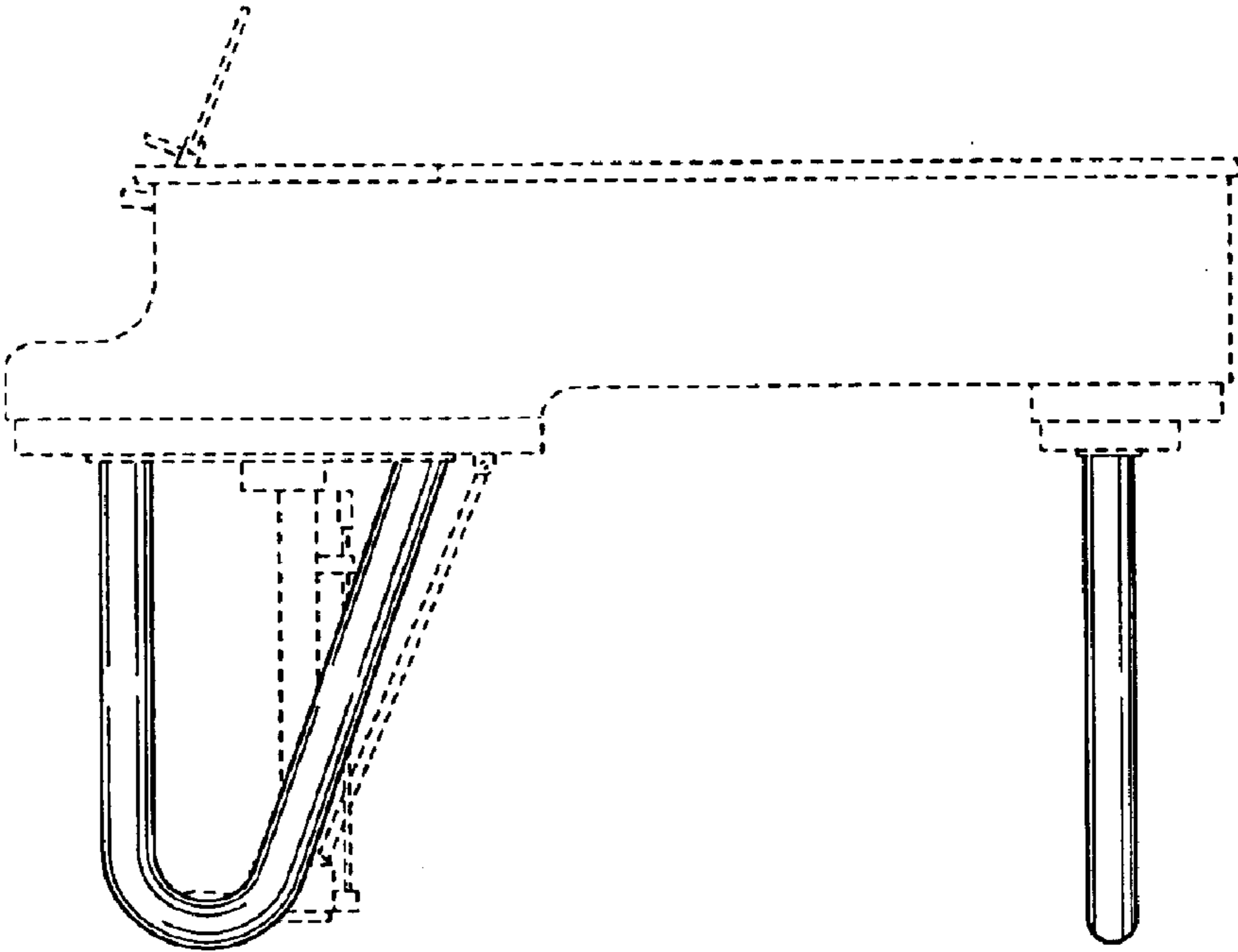


FIG. 5

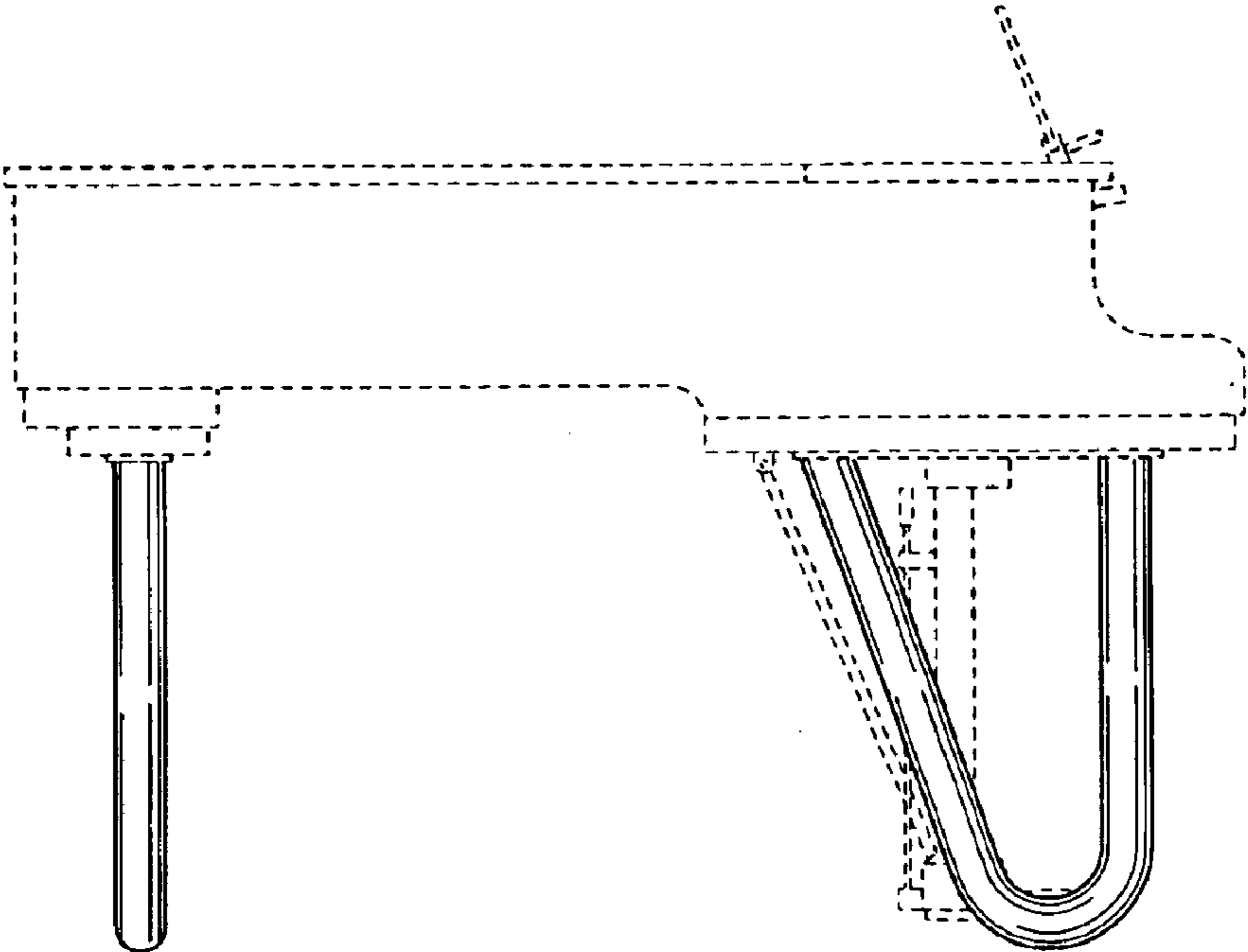


FIG. 6

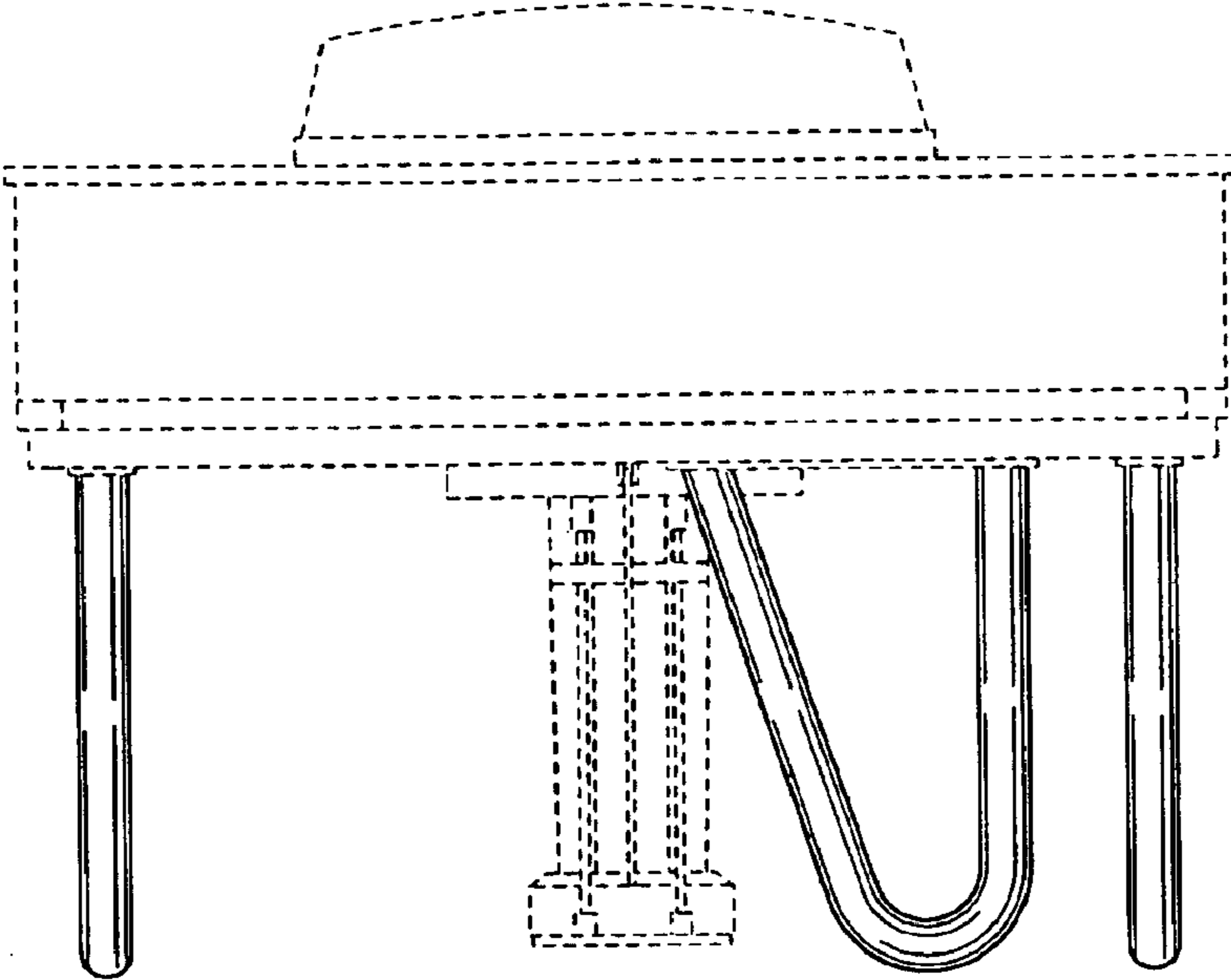


FIG. 7

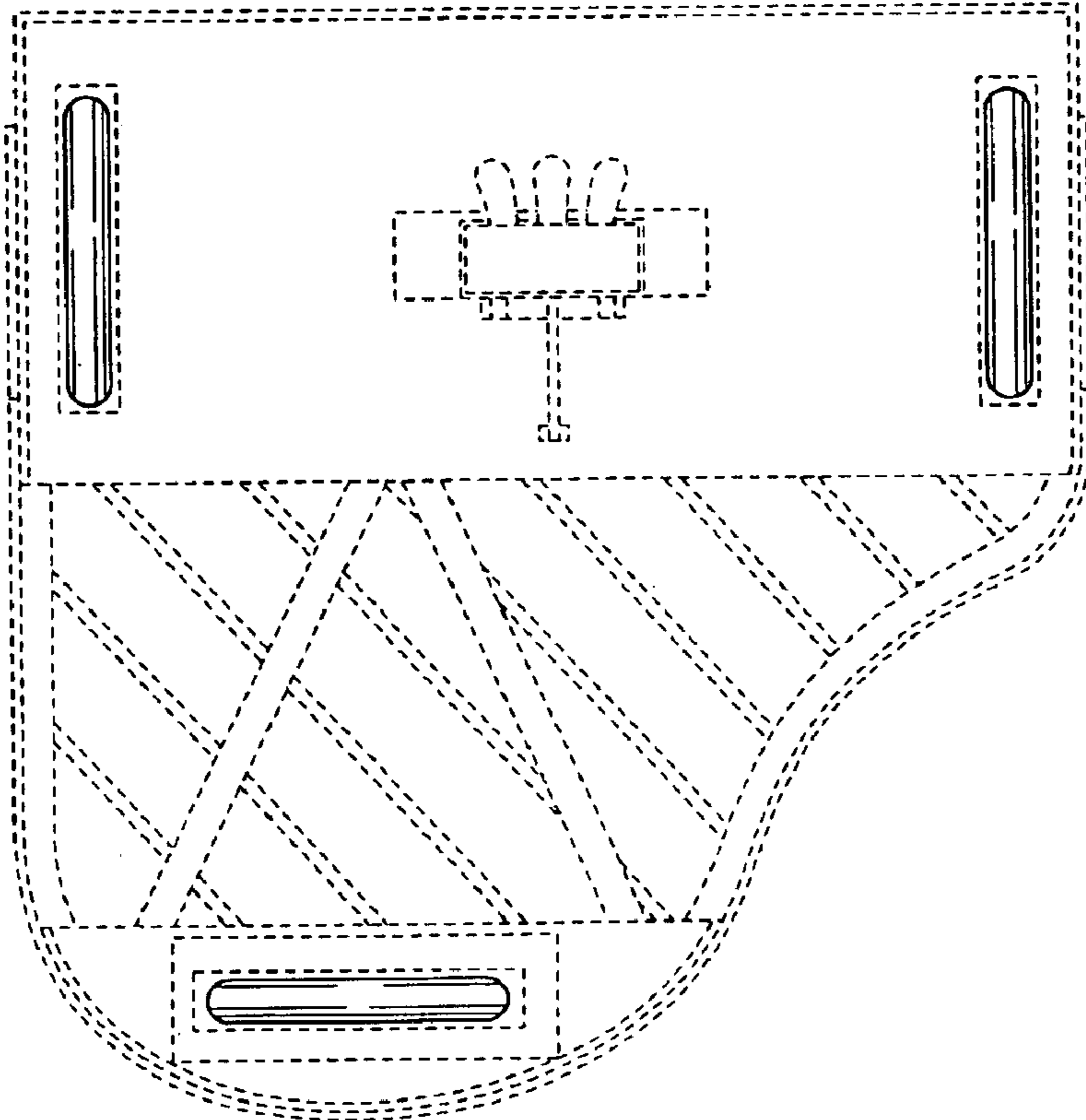


FIG. 8

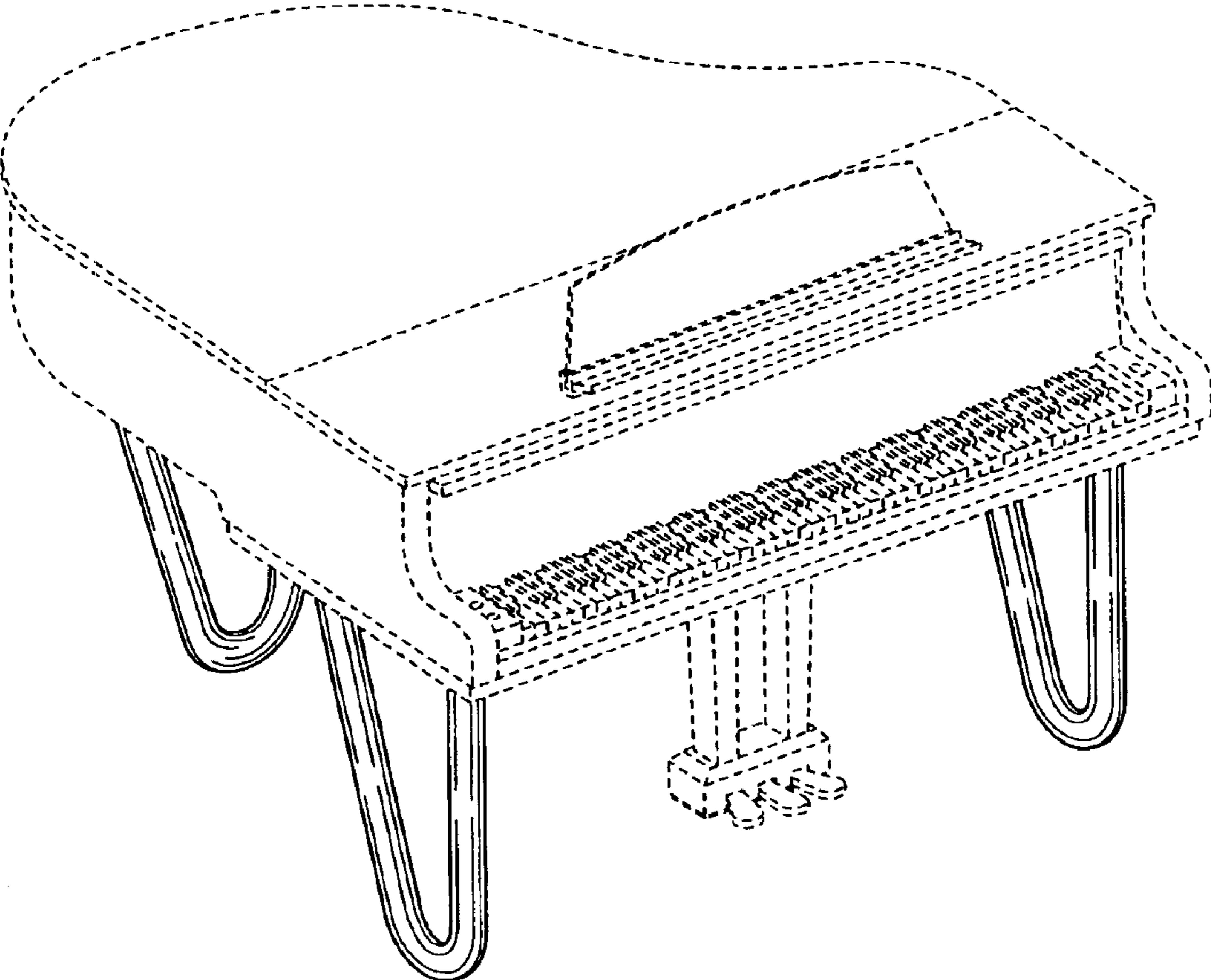


FIG. 9

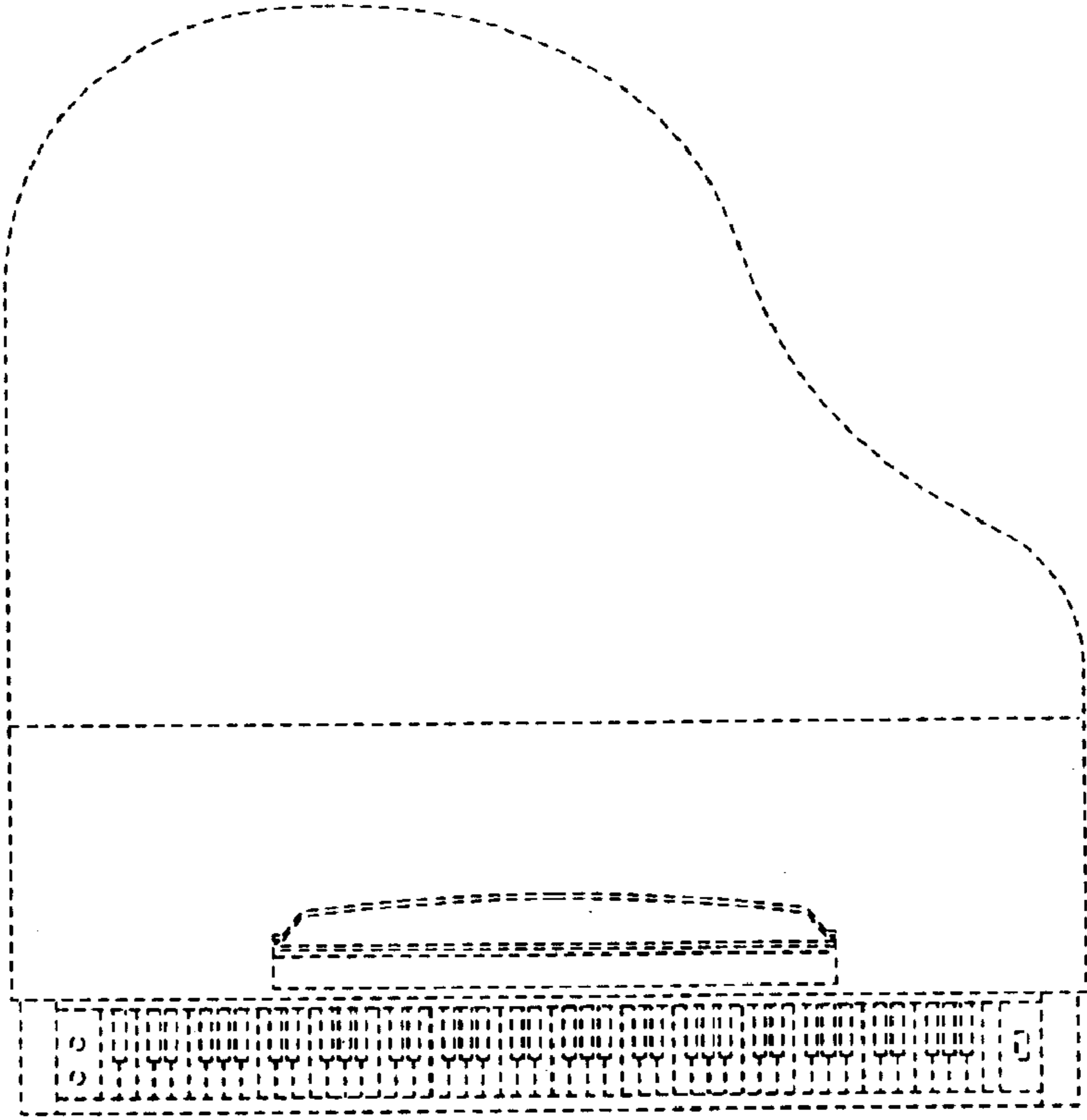


FIG. 10

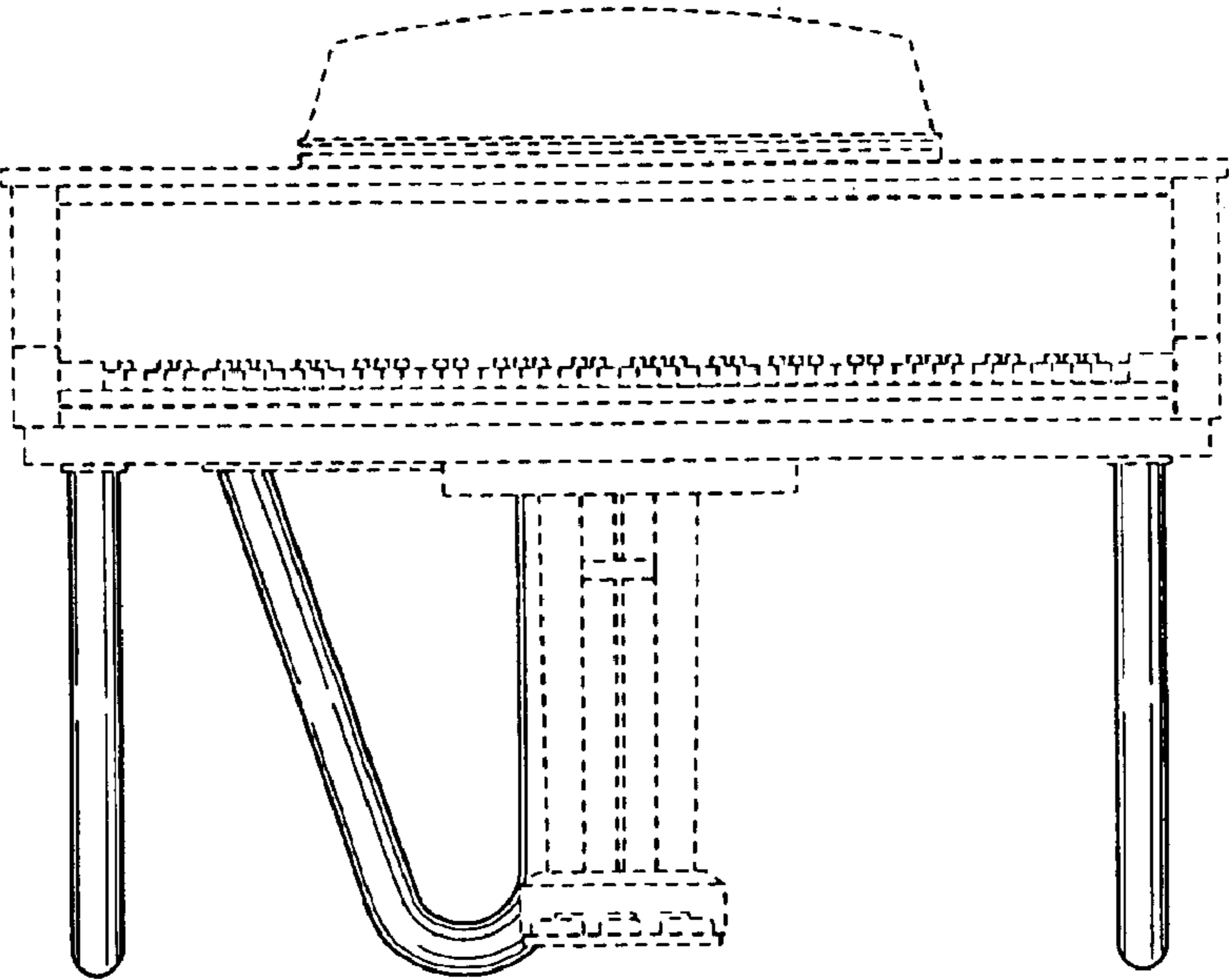


FIG. 11

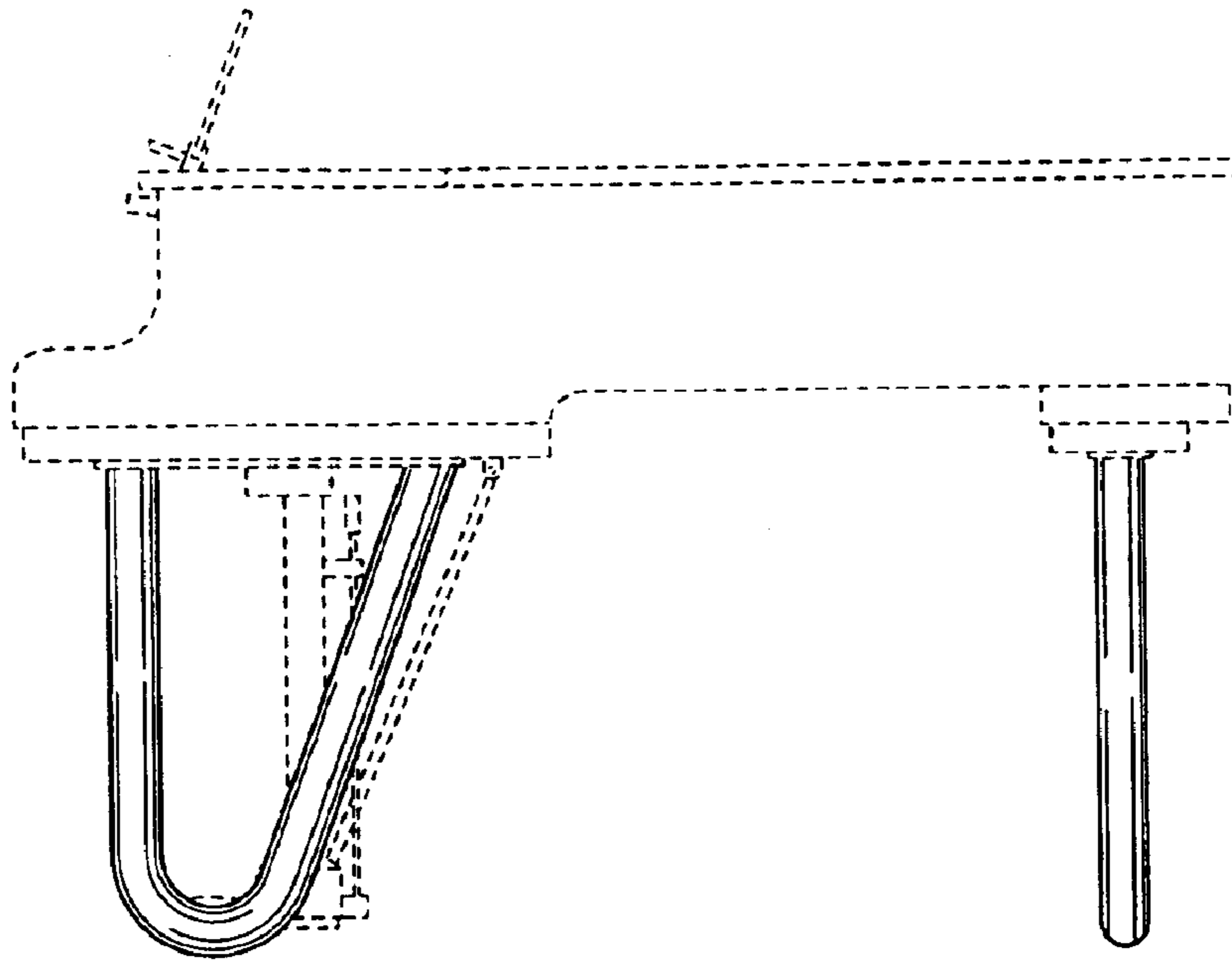


FIG. 12

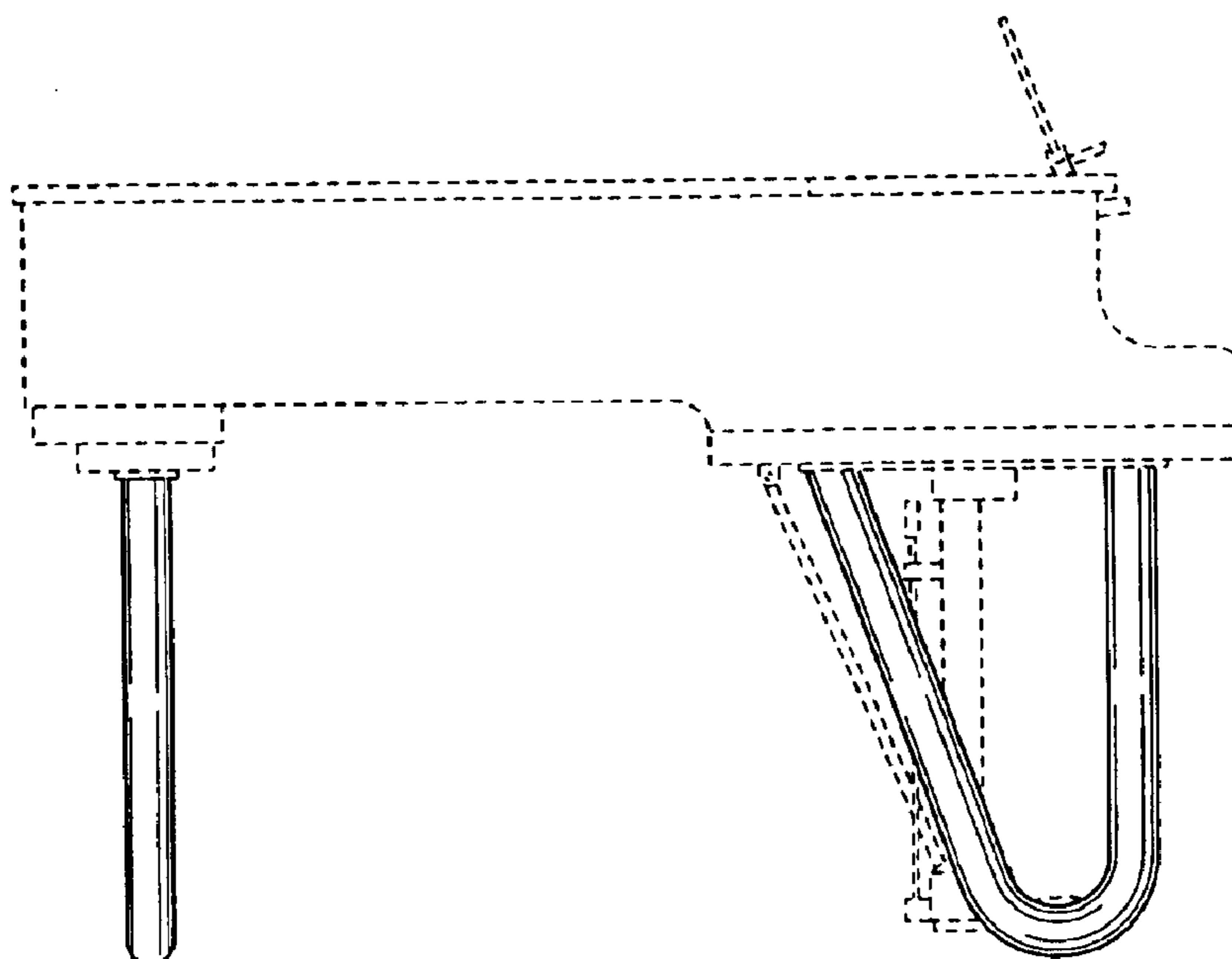


FIG. 13

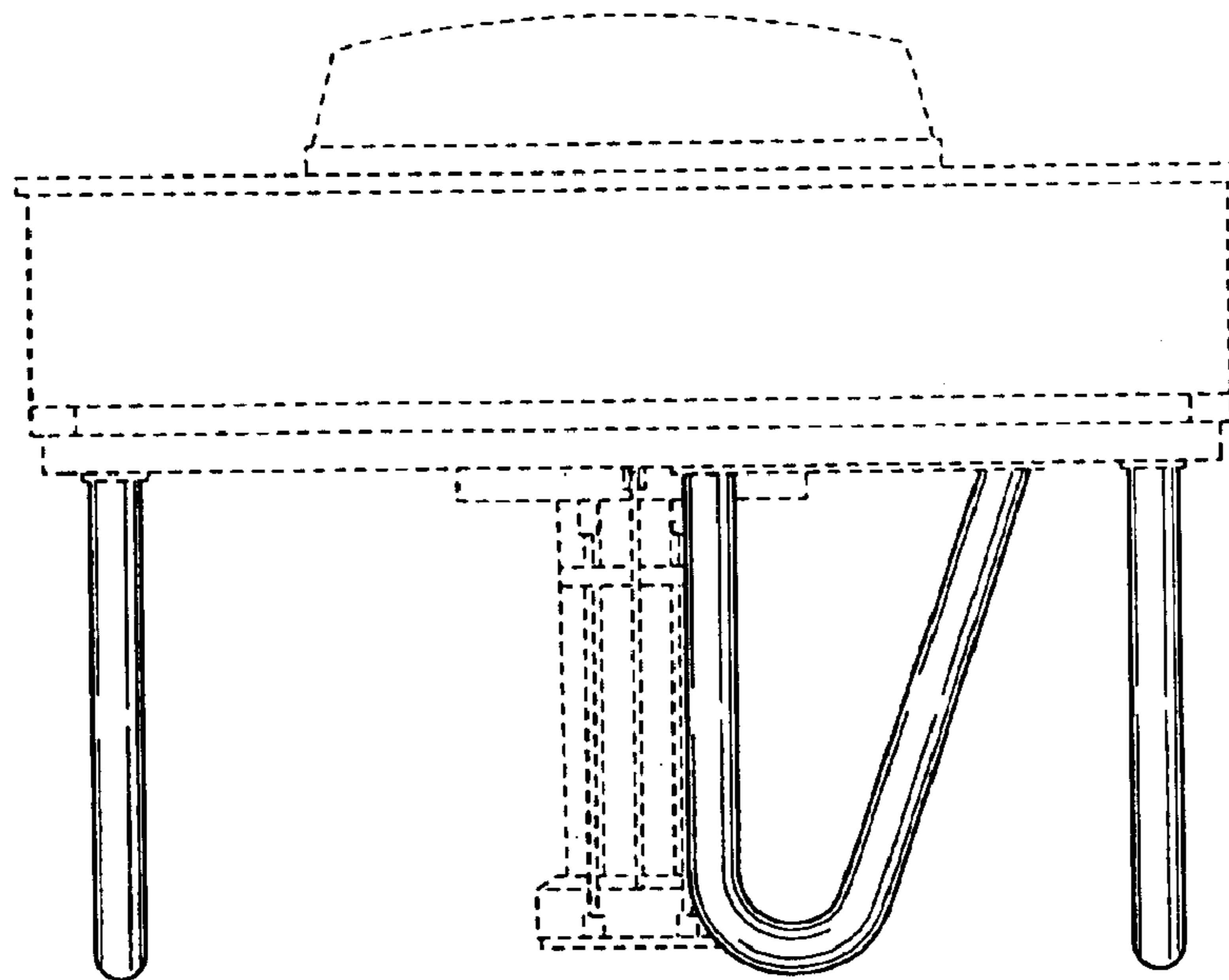


FIG. 14

