

US00D507010S

(12) **United States Design Patent**
Hartman

(10) **Patent No.:** **US D507,010 S**

(45) **Date of Patent:** **** Jul. 5, 2005**

(54) **EYEWEAR**

(75) **Inventor:** **James Hartman**, Santa Monica, CA
(US)

(73) **Assignee:** **Utopia Optics International, Inc.**, Los Angeles, CA (US)

(**) **Term:** **14 Years**

(21) **Appl. No.:** **29/219,405**

(22) **Filed:** **Dec. 15, 2004**

(51) **LOC (8) Cl.** **16-06**

(52) **U.S. Cl.** **D16/312**

(58) **Field of Search** D16/300-330,
D16/101; D29/109-110; D24/110.2; 351/41,
44, 51-52, 111, 158, 92; 2/426-432, 448,
441, 447, 434-437

(56) **References Cited**

U.S. PATENT DOCUMENTS

5,815,235	A	*	9/1998	Runckel	351/92
D405,102	S	*	2/1999	Moritz et al.	D16/312
6,009,564	A	*	1/2000	Tackles et al.	2/436
D439,596	S	*	3/2001	Bolle	D16/312
D442,206	S	*	5/2001	Meyerhoffer	D16/312

D456,037	S	*	4/2002	Tabacchi	D16/312
6,665,885	B2	*	12/2003	Masumoto	2/441
D488,182	S	*	4/2004	Sheldon et al.	D16/312
D496,957	S	*	10/2004	Bonnemere	D16/312

* cited by examiner

Primary Examiner—Raphael Barkai

(74) *Attorney, Agent, or Firm*—Cislo & Thomas

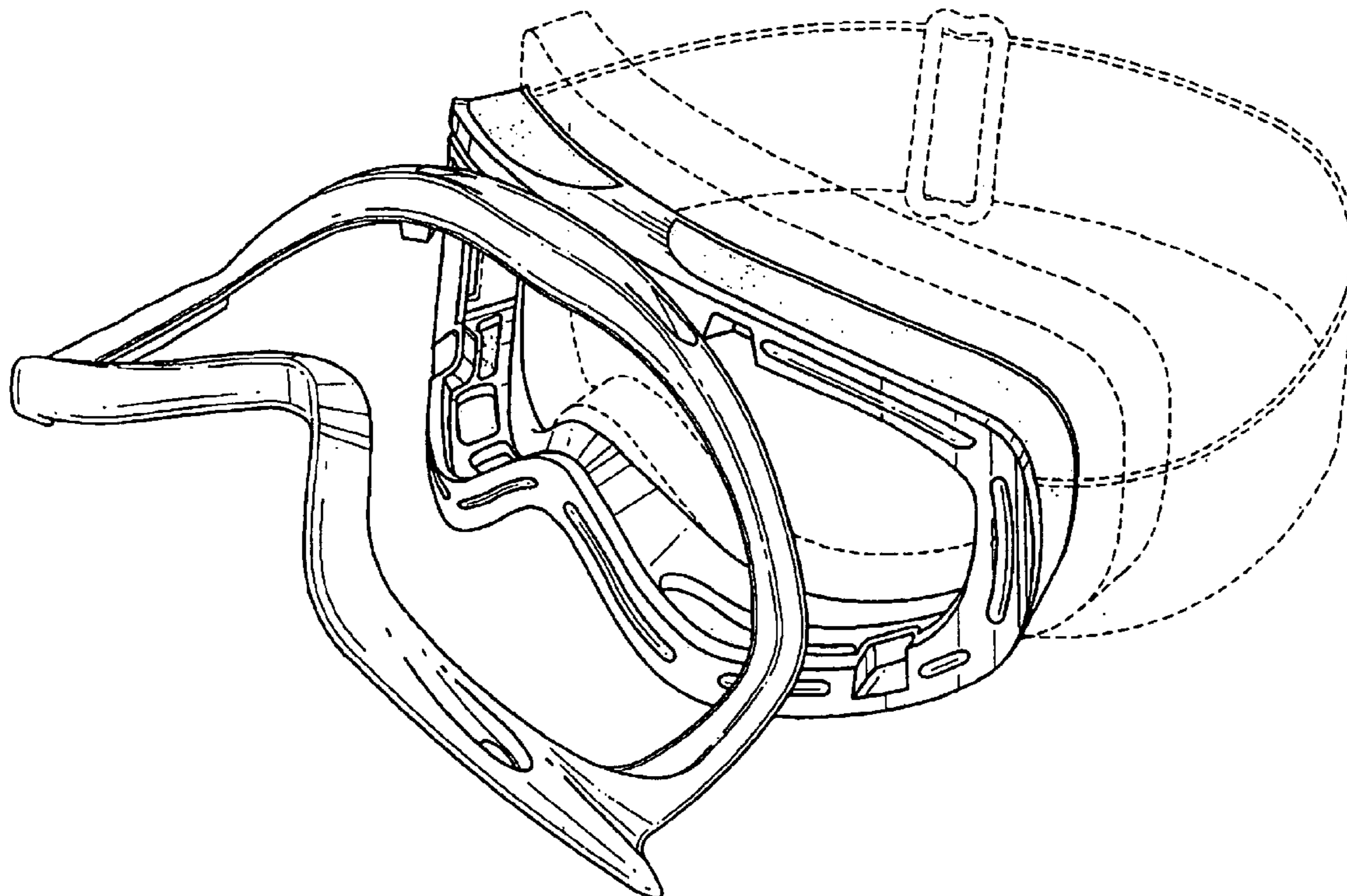
(57) **CLAIM**

I claim the ornamental design for eyewear, as shown and described herein.

DESCRIPTION

FIG. 1 is a perspective view of my eyewear with the frontal portion shown in the open position;
 FIG. 2 is a view similar to FIG. 1 showing the frontal portion in the closed position;
 FIG. 3 is a front view of my eyewear;
 FIG. 4 is a rear view thereof;
 FIG. 5 is a top view thereof;
 FIG. 6 is a bottom view thereof; and,
 FIG. 7 is a right side elevational view with the left side elevational view being a mirror image thereof.
 The broken lines shown are for illustrative purposes only and to which no claim is made.

1 Claim, 4 Drawing Sheets



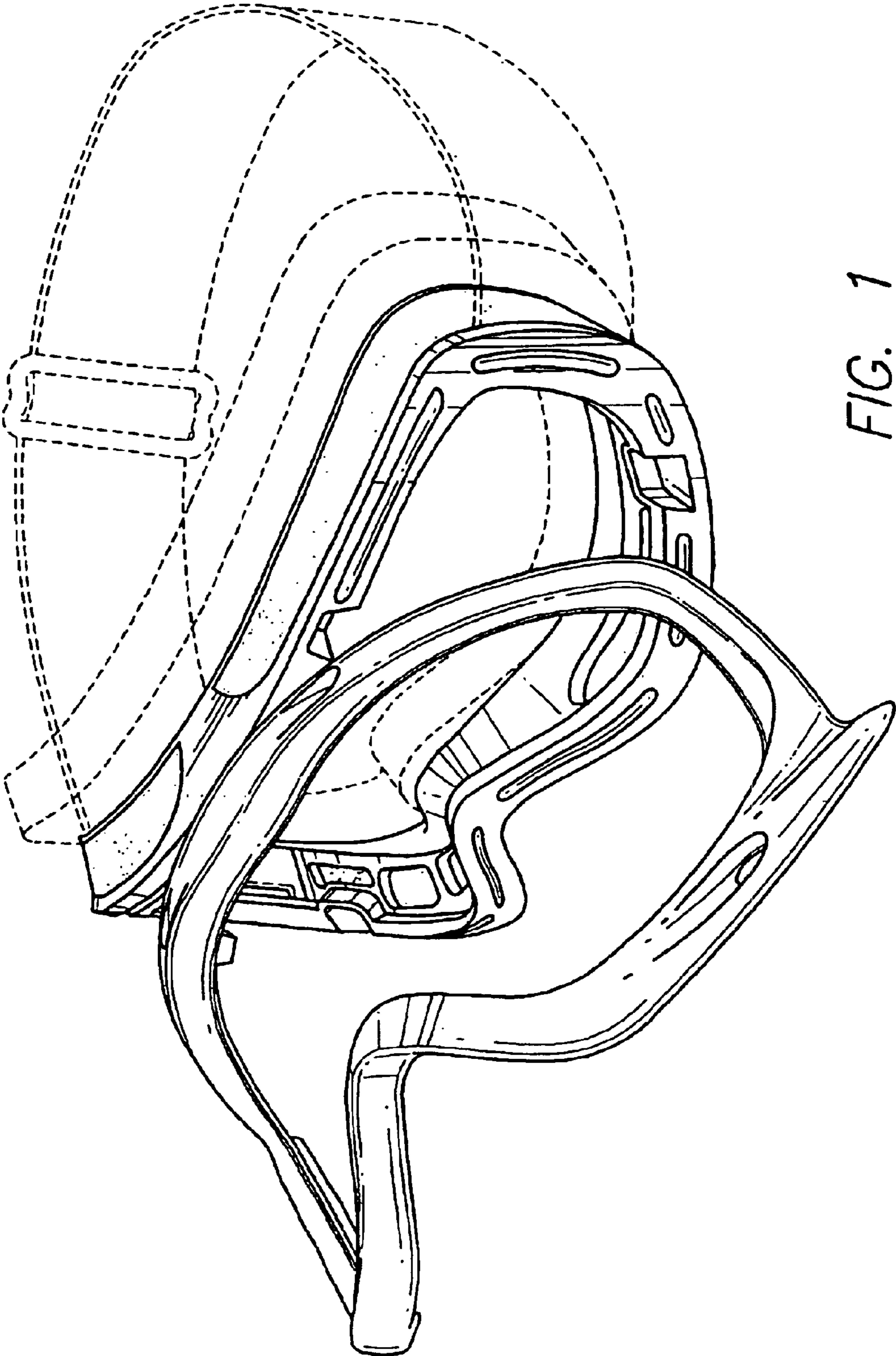


FIG. 1

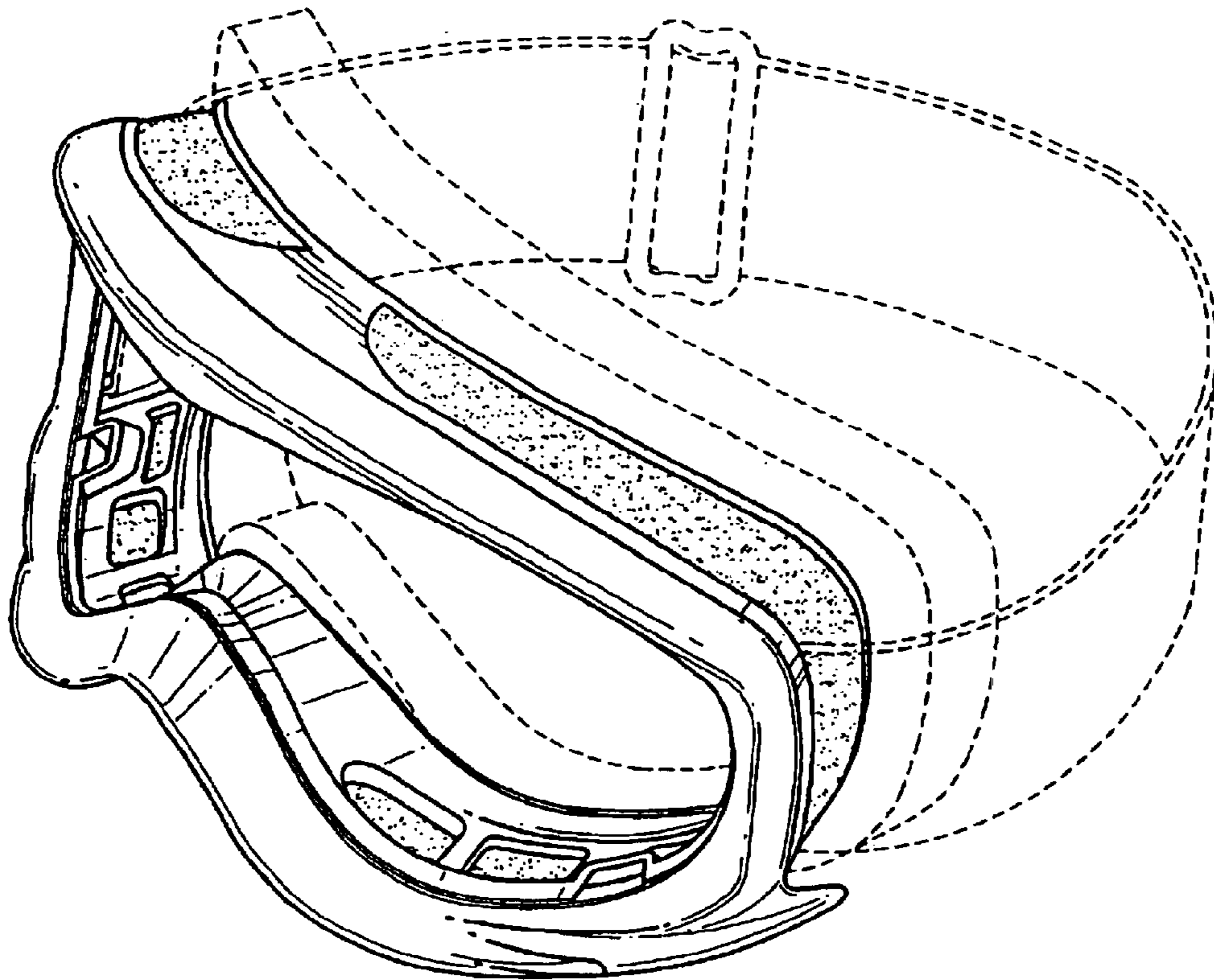


FIG. 2

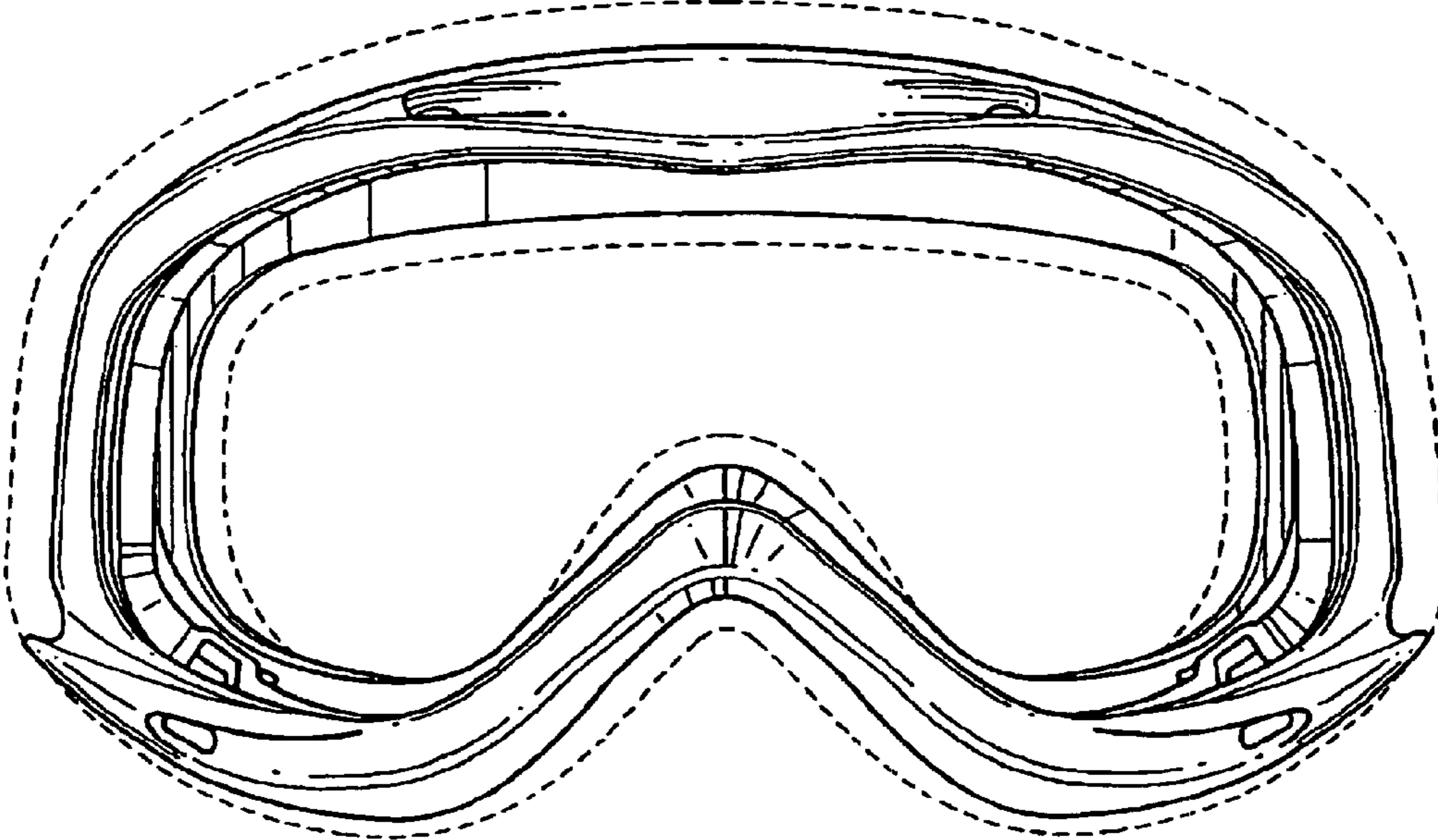


FIG. 3

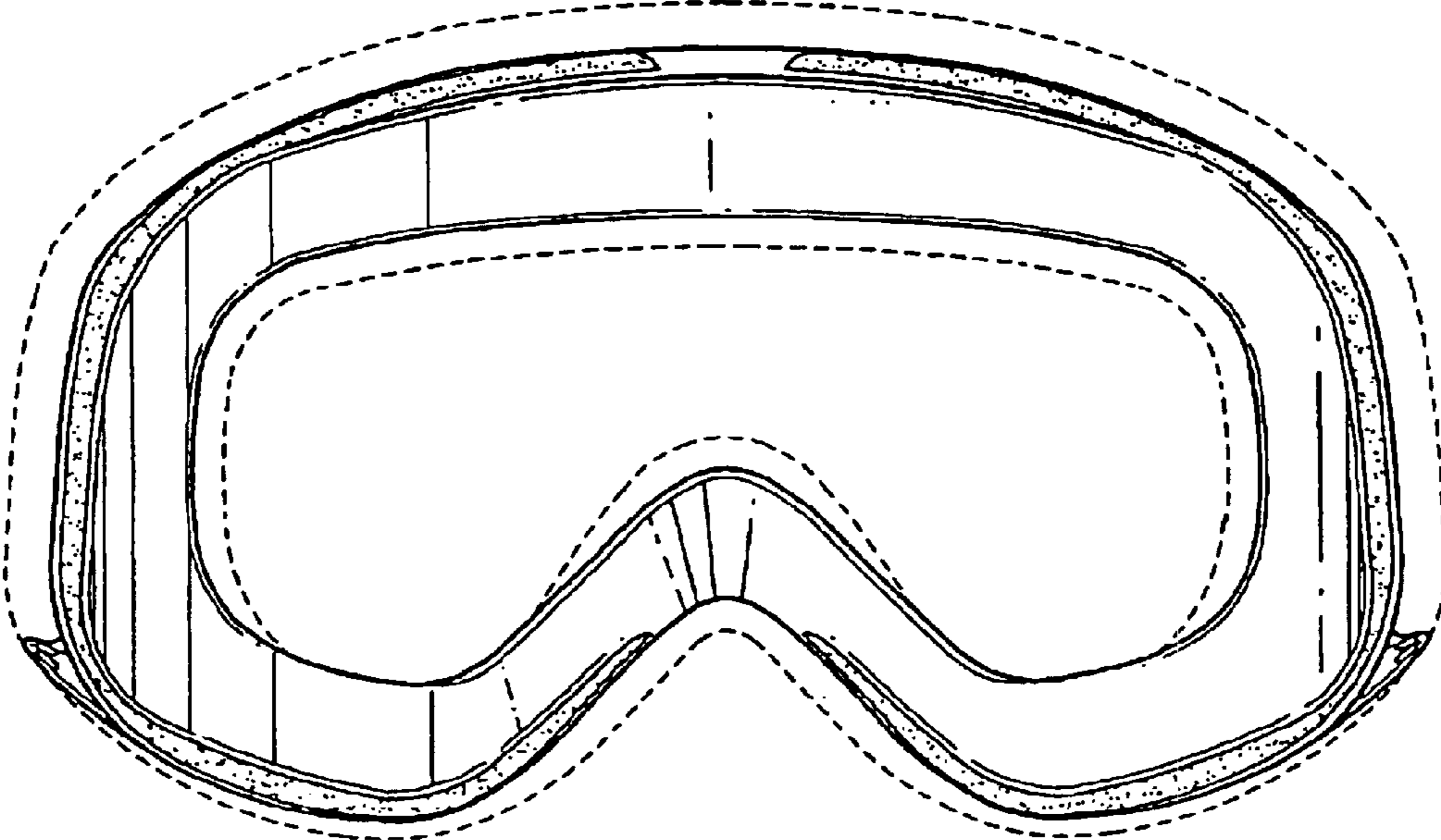


FIG. 4

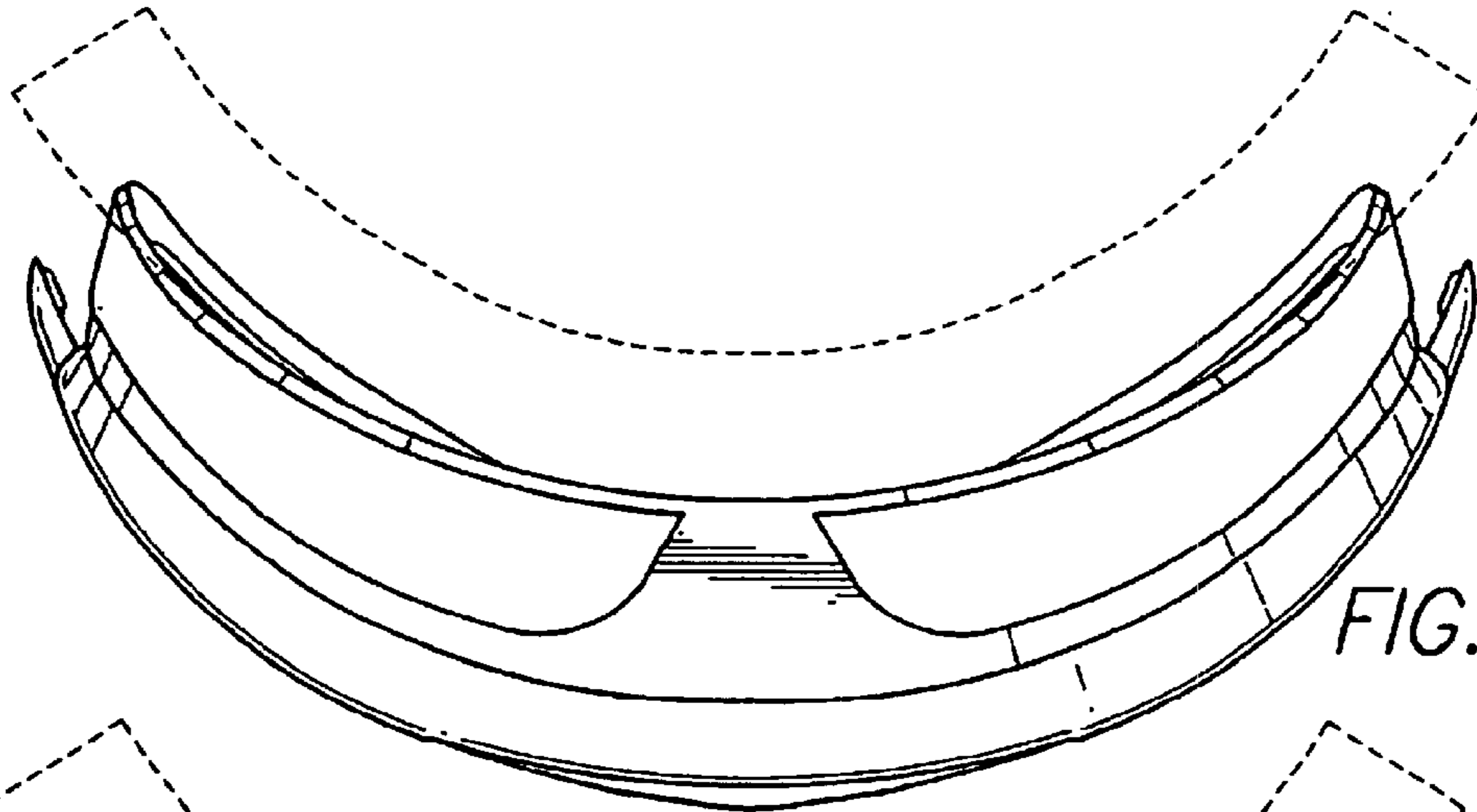


FIG. 5

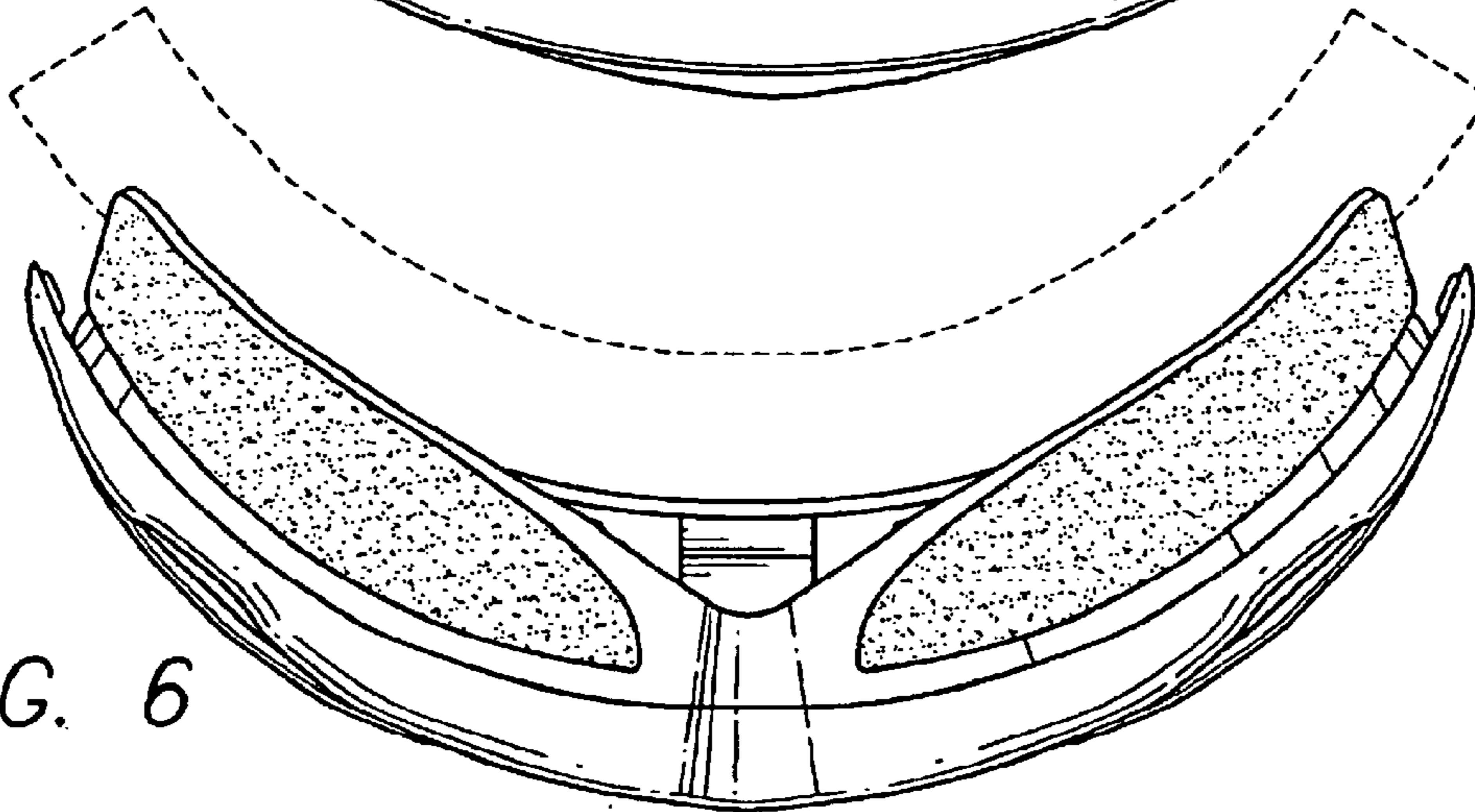


FIG. 6

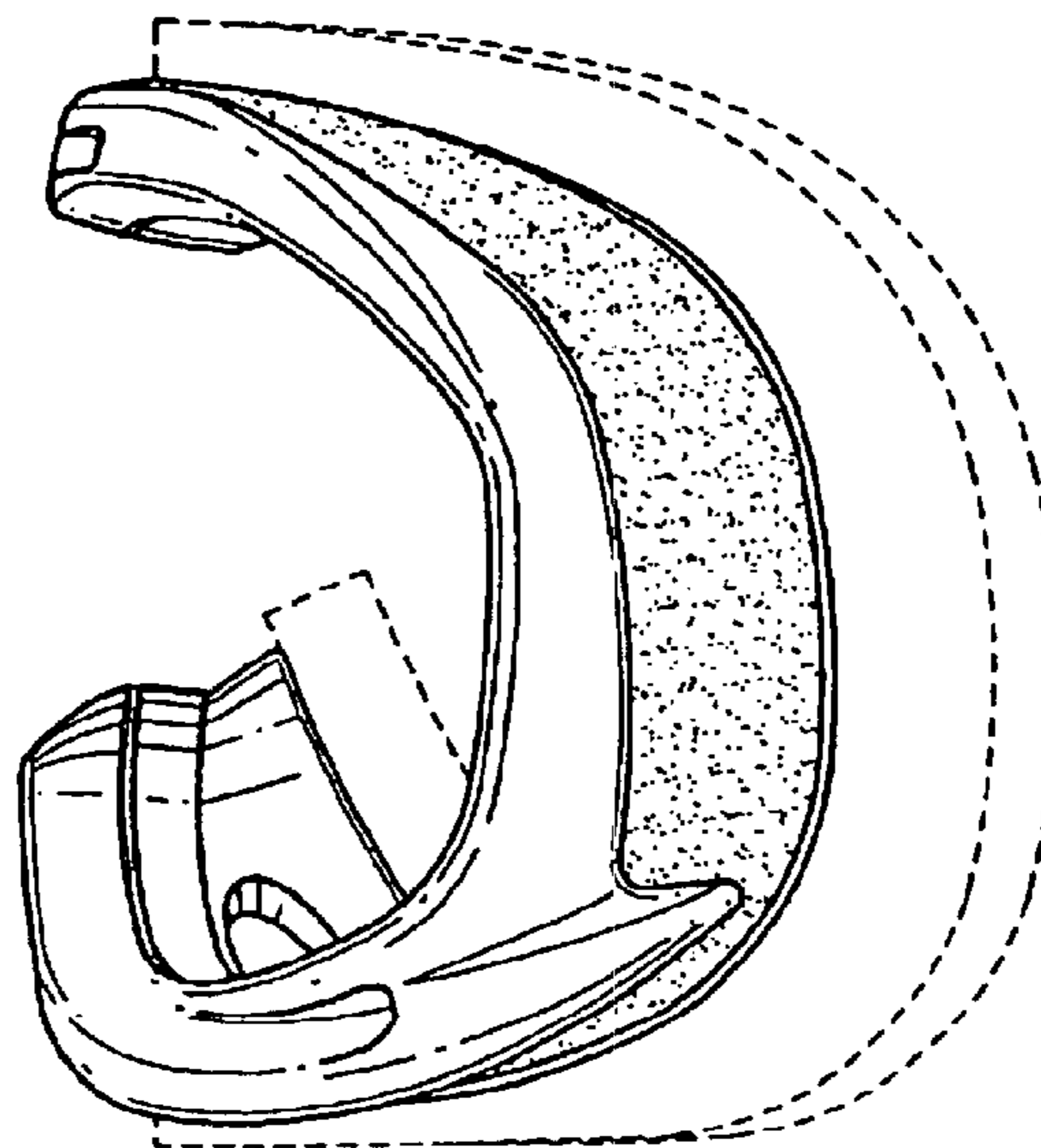


FIG. 7