

US00D507007S

(12) **United States Design Patent**
Sitoh et al.

(10) **Patent No.:** **US D507,007 S**
(45) **Date of Patent:** **** Jul. 5, 2005**

(54) **CAMERA**

(75) **Inventors:** **Yu Weng Alvin Sitoh**, Singapore (SG);
Weng Hong Benjamin Ng, Singapore (SG)

(73) **Assignee:** **Creative Technology Ltd.**, Singapore (SG)

(**) **Term:** **14 Years**

(21) **Appl. No.:** **29/205,049**

(22) **Filed:** **May 6, 2004**

(51) **LOC (8) Cl.** **16-01**

(52) **U.S. Cl.** **D16/202**

(58) **Field of Search** D16/200–206,
D16/208, 218; 248/121, 918; 348/14.01–14.1,
373–376; 358/909.1; 396/535–541

(56) **References Cited**

U.S. PATENT DOCUMENTS

D394,274 S	*	5/1998	Suzuki	D16/202
D395,056 S		6/1998	Delaey		
5,855,343 A		1/1999	Krekelberg		
D430,587 S		9/2000	Summit		
D433,432 S	*	11/2000	Prather et al.	D16/202
D442,202 S	*	5/2001	Pfeifer et al.	D16/202
6,239,841 B1	*	5/2001	Verstockt et al.	348/373
D455,165 S	*	4/2002	Tsang et al.	D16/202
D465,504 S		11/2002	Van Klinken		
D470,875 S	*	2/2003	Liao	D16/202
D475,070 S	*	5/2003	Ogura	D16/202
D478,922 S	*	8/2003	Han	D16/202
D500,067 S	*	12/2004	Liu	D16/202

OTHER PUBLICATIONS

Amazon.com web site featuring Creative Labs WebCam Pro (USB) for sale, Date first available for sale on Amazon: Jun. 18, 2002, 2 pages.

Amazon.com web site featuring Ezonics EZ–388 EZCam II with Bonus EZCam II (USB) for sale, Date first available for sale on Amazon: Jun. 18, 2002, 3 pages.

Amazon.com web site featuring Logitech QuickCam for Notebooks (961241–0403) for sale, Date first available for sale on Amazon: Aug. 2, 2002, 2 pages.

Amazon.com web site featuring Creative Labs PD1110 Webcam NX for sale, Date first available for sale on Amazon: Jun. 1, 2003, 3 pages.

Amazon.com web site featuring Creative Labs PD1130 Webcam NX for sale, Date first available for sale on Amazon: May 25, 2003, 3 pages.

Amazon.com web site featuring Creative Labs Webcam Pro eX for sale, Date first available for sale on Amazon: Nov. 19, 2002, 3 pages.

Amazon.com web site featuring Axis 205 Network Camera (90187–004) for sale, Date first available for sale on Amazon: Sep. 19, 2003, 7 pages.

Amazon.com web site featuring Ezonics 3 in 1 PC Camera (EX–306) for sale, Date first available for sale on Amazon: Sep. 29, 2003, 5 pages.

(Continued)

Primary Examiner—Adir Aronovich

(74) *Attorney, Agent, or Firm*—P. Francois de Villiers

(57)

CLAIM

The ornamental design for a camera, substantially as shown and described.

DESCRIPTION

FIG. 1 is a front perspective view of a camera in accordance with the present design;

FIG. 2 is a rear perspective view of the camera of FIG. 1;

FIG. 3 is a front view of the camera shown in FIG. 1;

FIG. 4 is a rear view of the camera shown in FIG. 1;

FIG. 5 is a bottom view of the camera shown in FIG. 1;

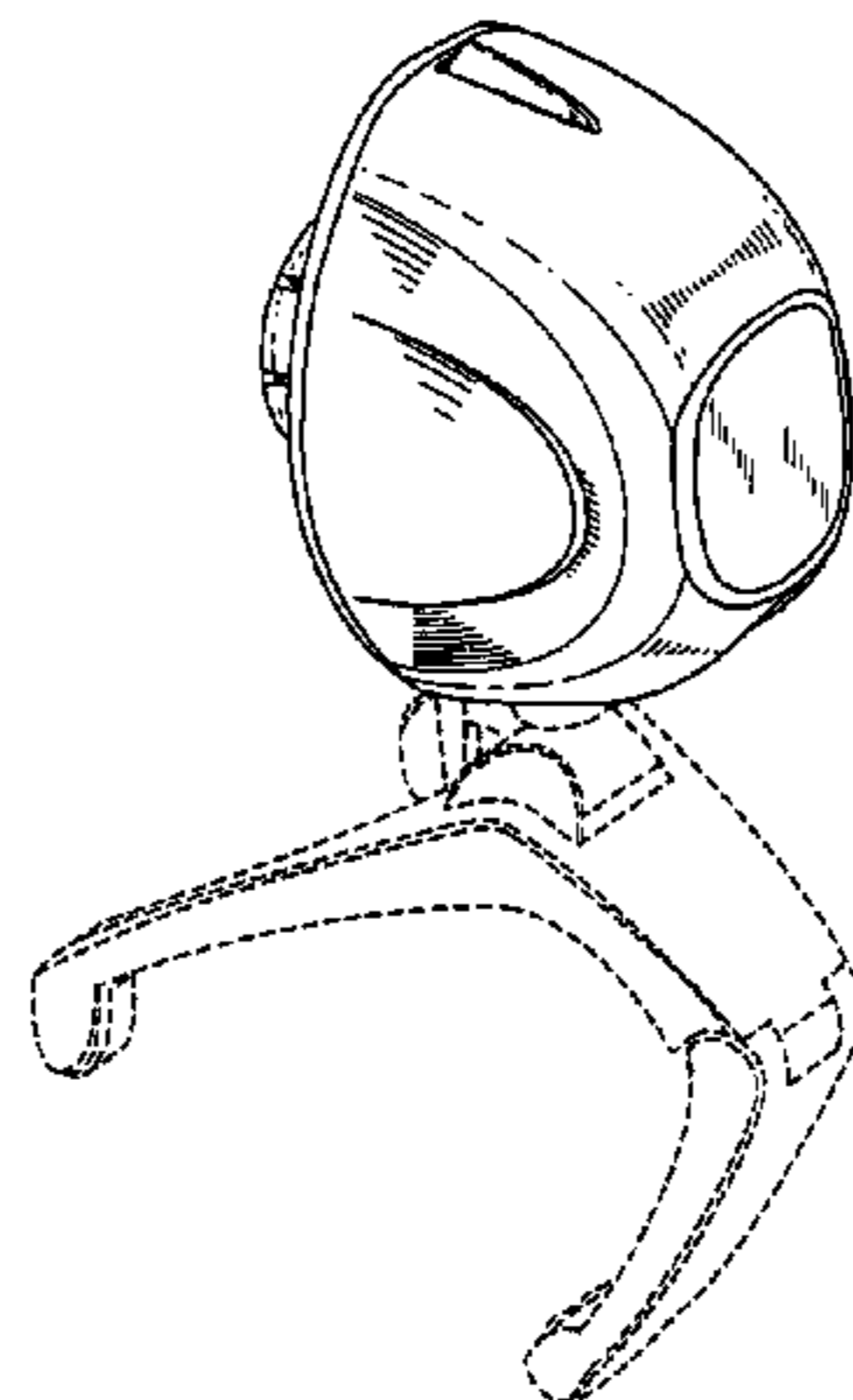
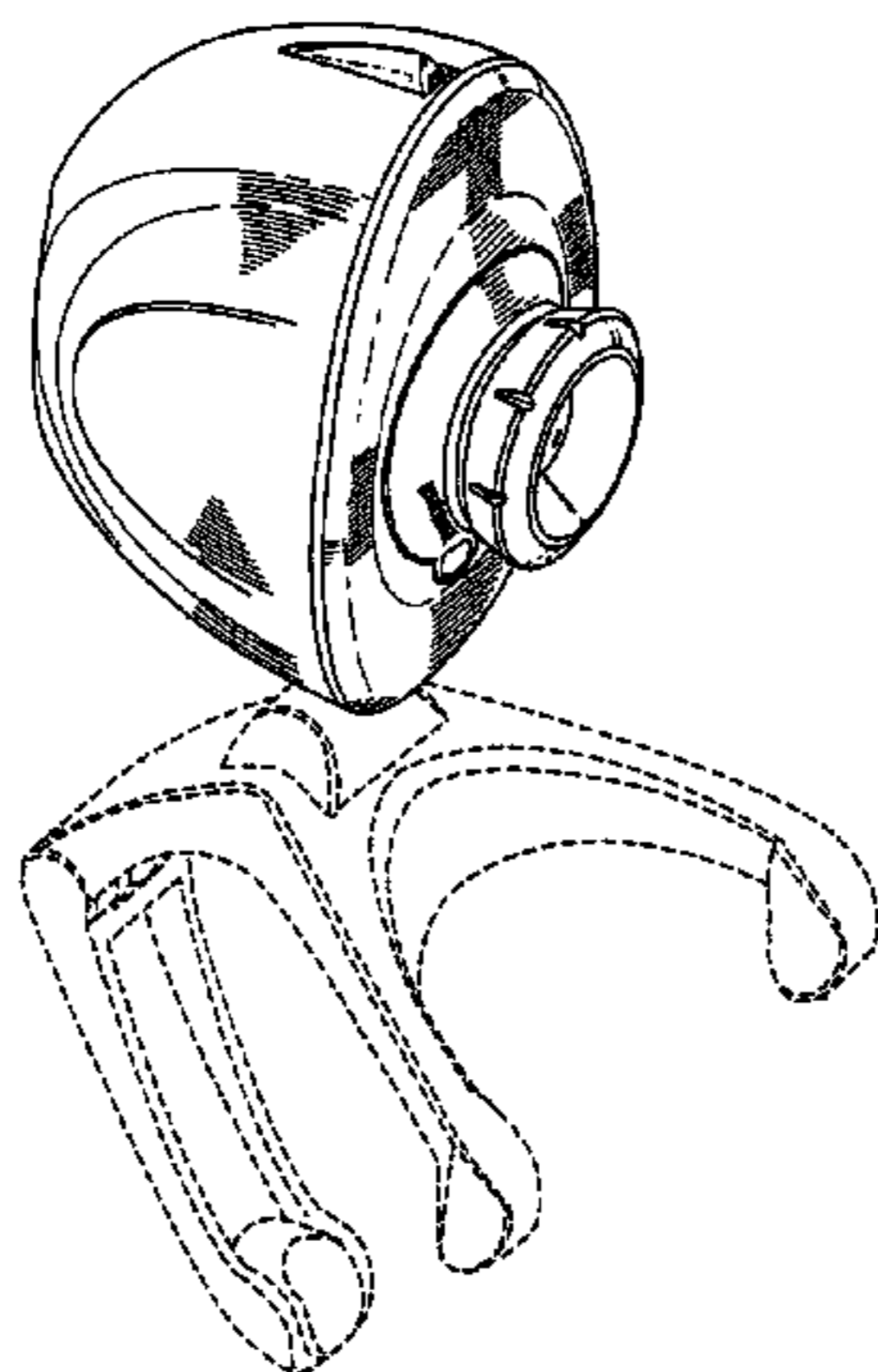
FIG. 6 is a top view of the camera shown in FIG. 1;

FIG. 7 is a right side view of the camera shown in FIG. 1; and,

FIG. 8 is a left side view of the camera shown in FIG. 1.

The phantom dashed lines (broken lines) showing the camera base are for illustrative purposes only and form no part of the claimed design.

1 Claim, 4 Drawing Sheets



OTHER PUBLICATIONS

Amazon.com web site featuring Intel Easy PC Camera Pack for sale, Date first available for sale on Amazon: not known, 4 pages.

Amazon.com web site featuring Labtec WebCam (USB) for sale, Date first available for sale on Amazon: Apr. 16, 2002, 7 pages.

Amazon.com web site featuring Micro Innovations Webcam Metallic (IC150C) for sale, Date first available for sale on Amazon: Jul. 3, 2003, 4 pages.

Amazon.com web site featuring Orange Micro IBOT2 USB 2.0 Webcam for sale, Date first available for sale on Amazon: Nov. 11, 2002, 6 pages.

Amazon.com web site featuring Philips PCVC690K Vesta Pro Scan Internet WebCam, Date first available for sale on Amazon: not known, 4 pages.

Amazon.com web site featuring Veo Connect Web Camera (USB) for sale, Date first available for sale on Amazon: Jun. 21, 2002, 6 pages.

Amazon.com web site featuring Veo Stingray Web Camera (USB) for sale, Date first available for sale on Amazon: Jun. 21, 2002, 7 pages.

Amazon.com web site featuring Veo Velocity Connect Web Camera (USB) for sale, Date first available for sale on Amazon: Nov. 11, 2002, 7 pages.

Amazon.com web site featuring Veo Velocity Connect Web Camera (USB), Date first available for sale on Amazon: not known, 4 pages.

Axis Communications—AXIS 211 Network Camera web site printed on Aug. 25, 2004, 2 pages.

Baazee.com web site featuring ADCOM WebCam with 320 × 240 pixel CMOS Sensor printed on Aug. 24, 2004, 3 pages.

Baazee.com web site featuring D-Link Streaming USB PC Webcam printed on Aug. 24, 2004, 4 pages.

Baazee.com web site featuring Frontech Web Camera printed on Aug. 24, 2004, 4 pages.

Baazee.com web site featuring O'Rite My-Cam MY350 printed on Aug. 24, 2004, 4 pages.

Electronicaccessory.com web site featuring Philips ¼" Color CCD Camera for Phillips Observation Systems printed on Aug. 24, 2004, 1 page.

Micro Product Lineup web site printed on Aug. 25, 2004, 3 pages.

NCLSecurity.com featuring Axis 2100 Network Camera printed on Aug. 25, 2004, 3 pages.

NCLSecurity.com featuring Axis 2120 Network Camera printed on Aug. 25, 2004, 2 pages.

NCLSecurity.com featuring Axis 2130 PTZ Network Camera printed on Aug. 25, 2004, 2 pages.

Netgift.com web site featuring Philips ¼in Color CCD Camera for Phillips Observation for Phillips Observation Systems: Surveillance Collection printed on Aug. 25, 2004, 1 page.

Philips—PC Camera web site printed on Aug. 24, 2004, 2 pages.

Philips Quick Reference Manual: Vesta Pro Scan Pagecam 2.1; Jun. 8, 2000.

Sony press release: Sony Introduces Network Video Camera for Remot Monitoring and Web-Based Attractions; released Jun. 12, 2002.

Sony product brochure: Network Color Camera SNC-RZ30N (NTSC); printed Aug., 2002.

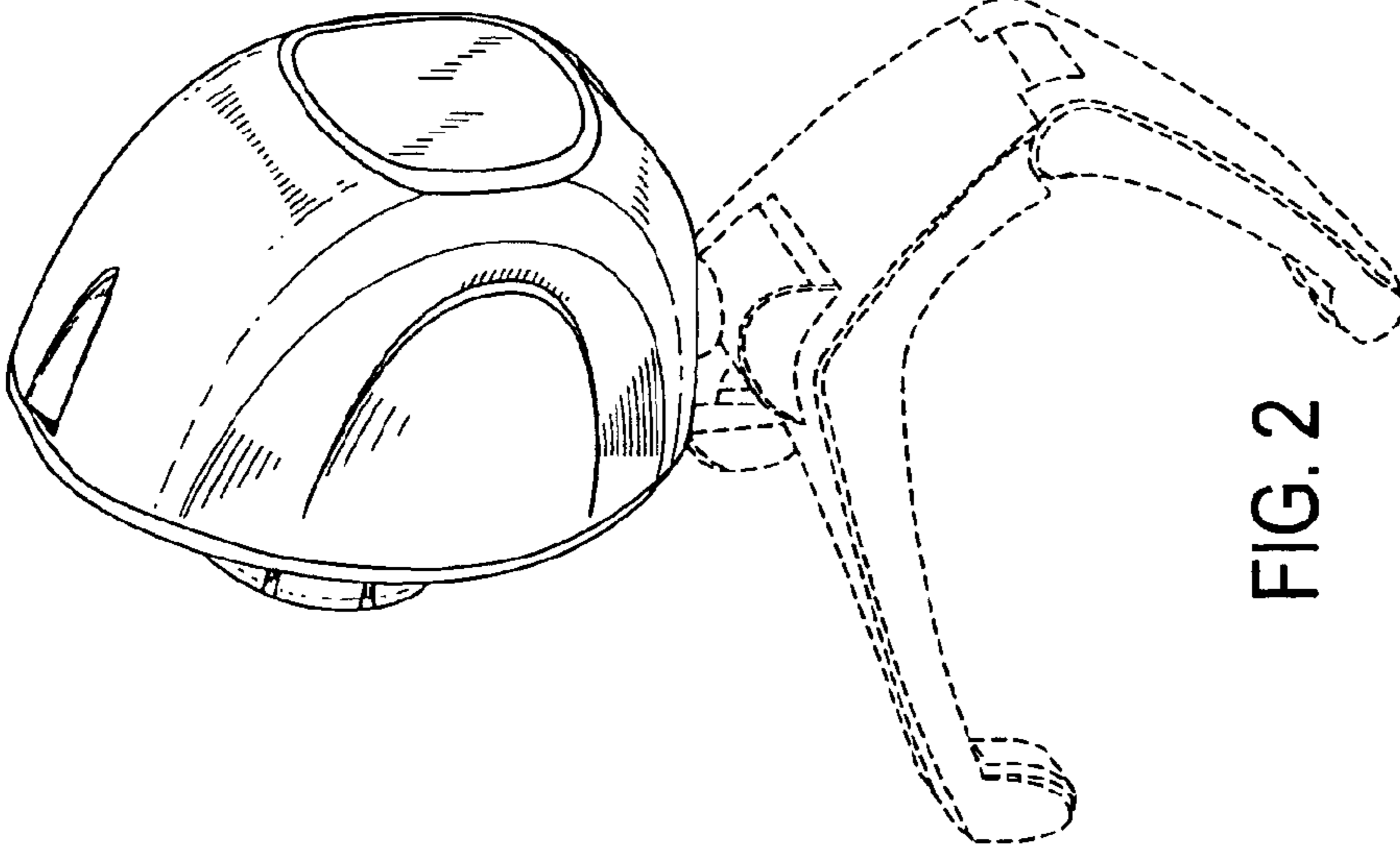
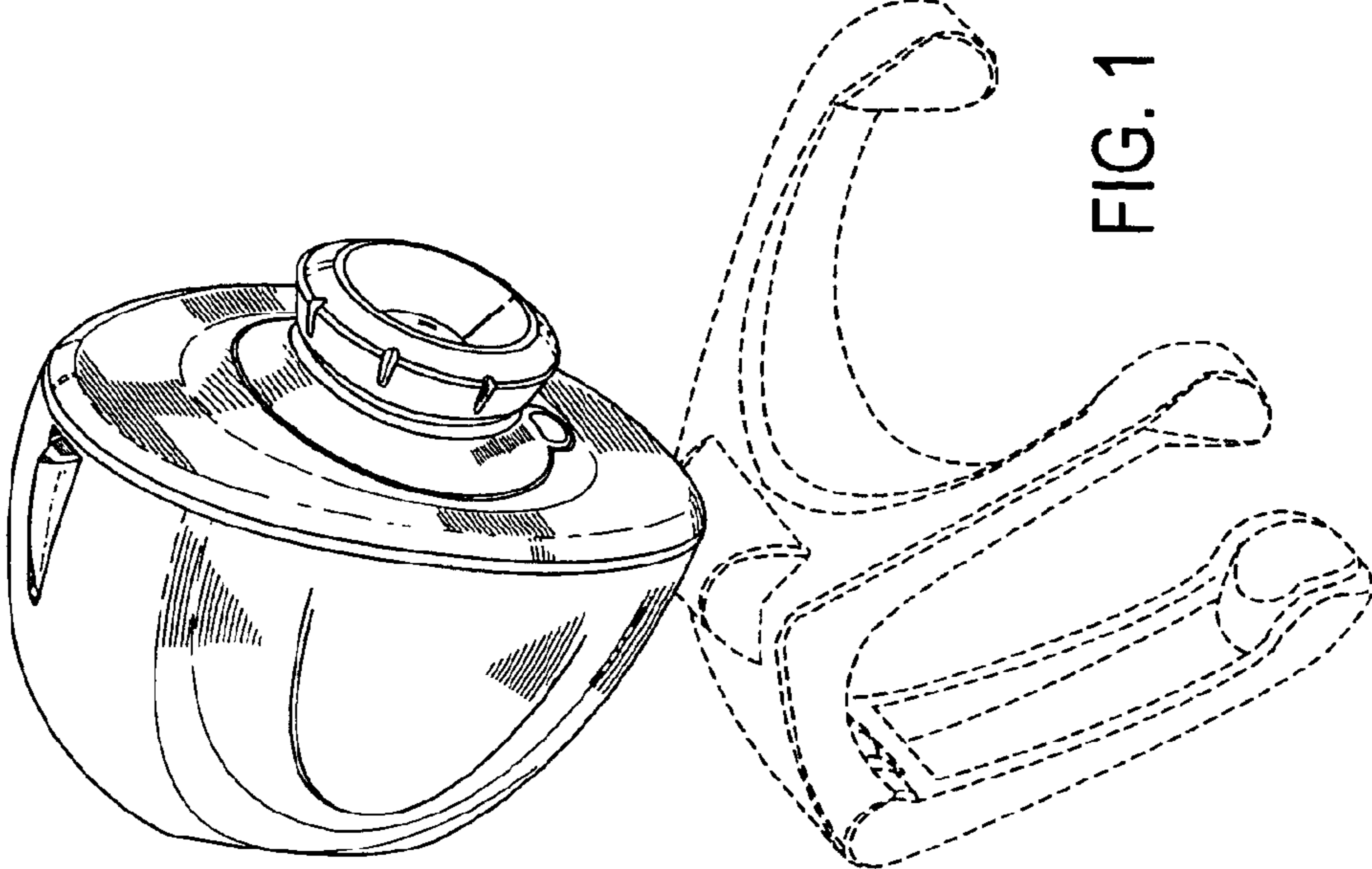
Techbargains.com web site featuring Axis Communication Axis 2100 Standalone Network Camera—10/100BT RJ45 RS232 TCP/IP printed on Aug. 23, 2004, 2 pages.

Techbargains.com web site featuring Micro Innovations Webcam Basic PC Video Camera w/Desktop Mount printed on Aug. 23, 2004, 2 pages.

Techbargains.com web site featuring Micro Innovations Webcam PC Camera w/ Custom Faceplates printed on Aug. 23, 2004, 2 pages.

Thetwistergroup.com web site featuring Philips/Magnavox ¼" Color CCD Camera with 3MM Lens printed on Aug. 25, 2004, 1 page.

* cited by examiner



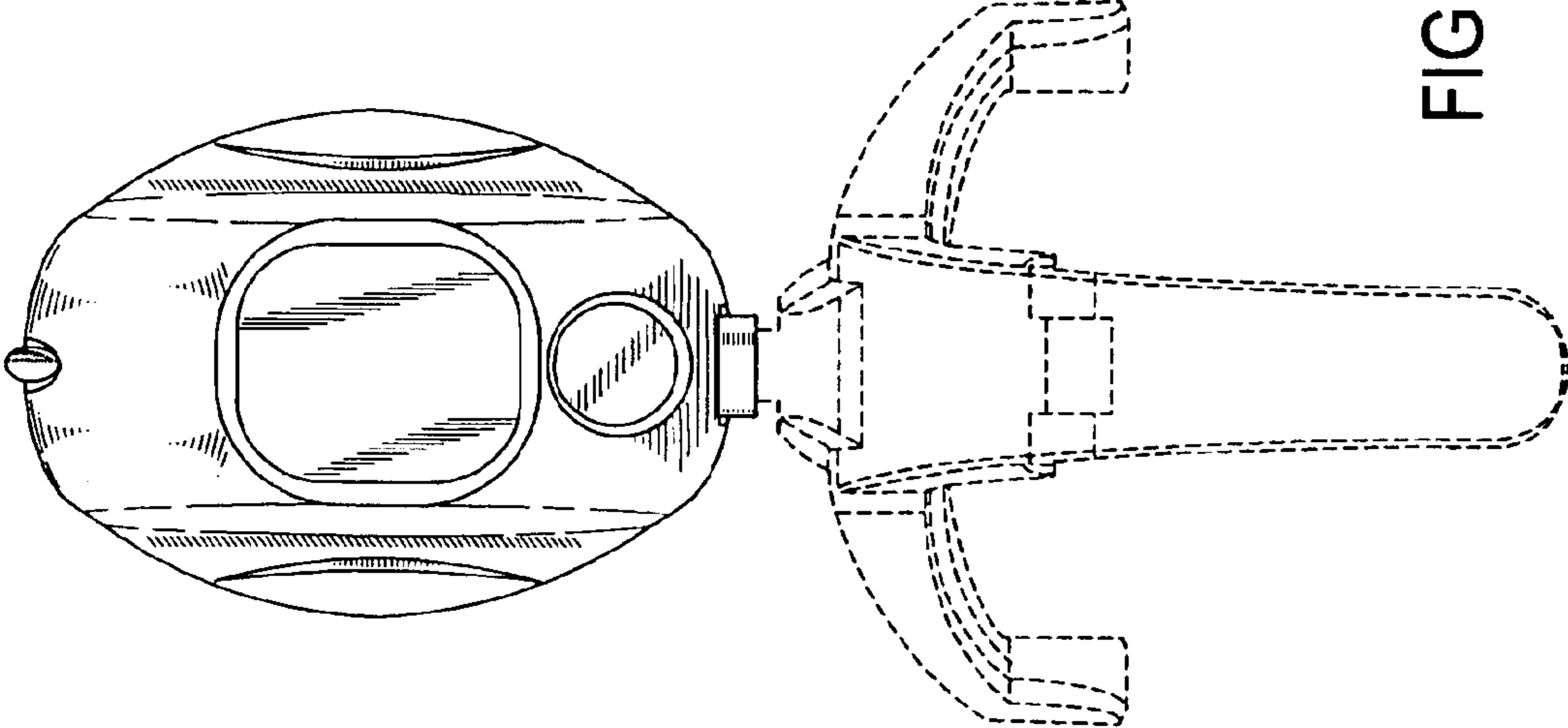


FIG. 4

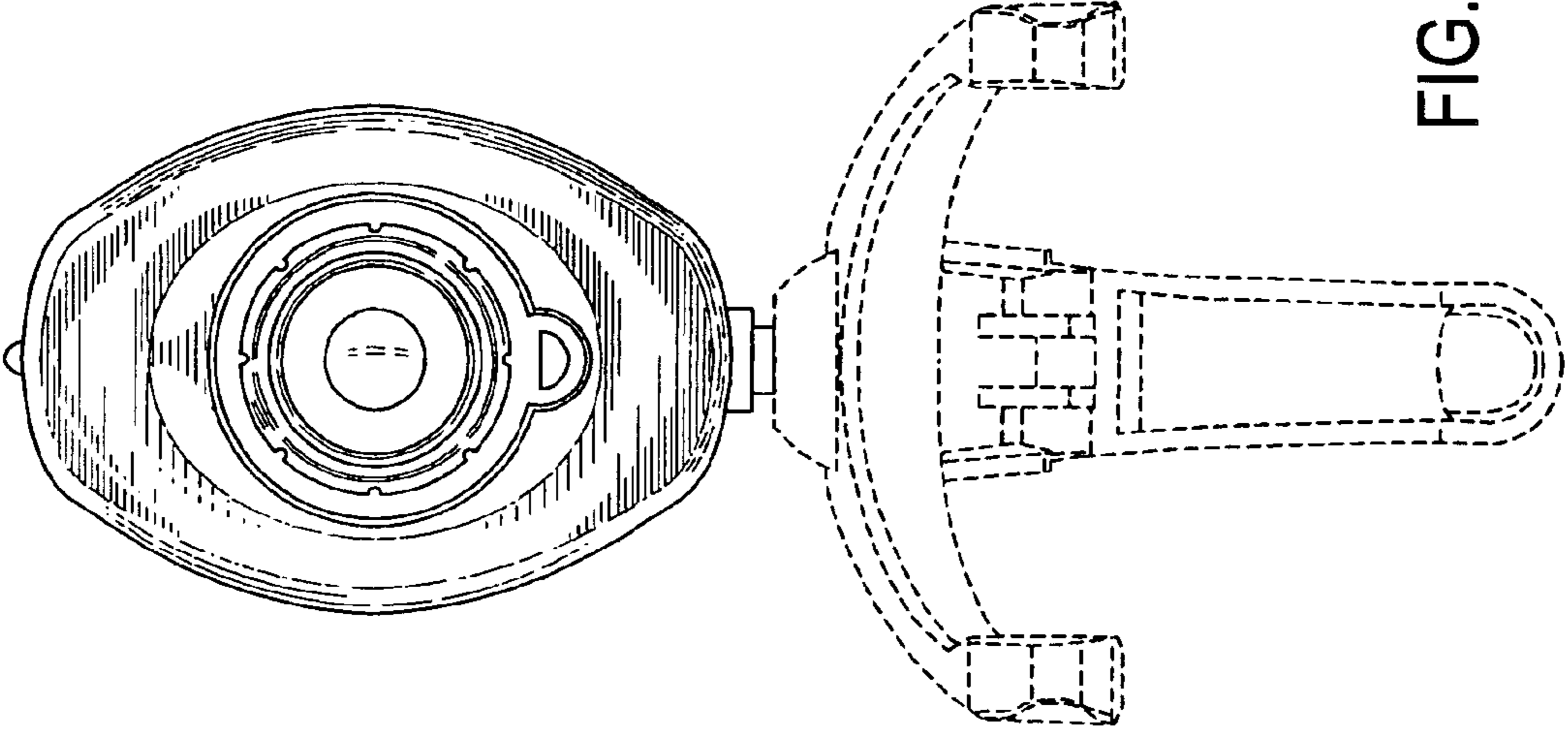


FIG. 3

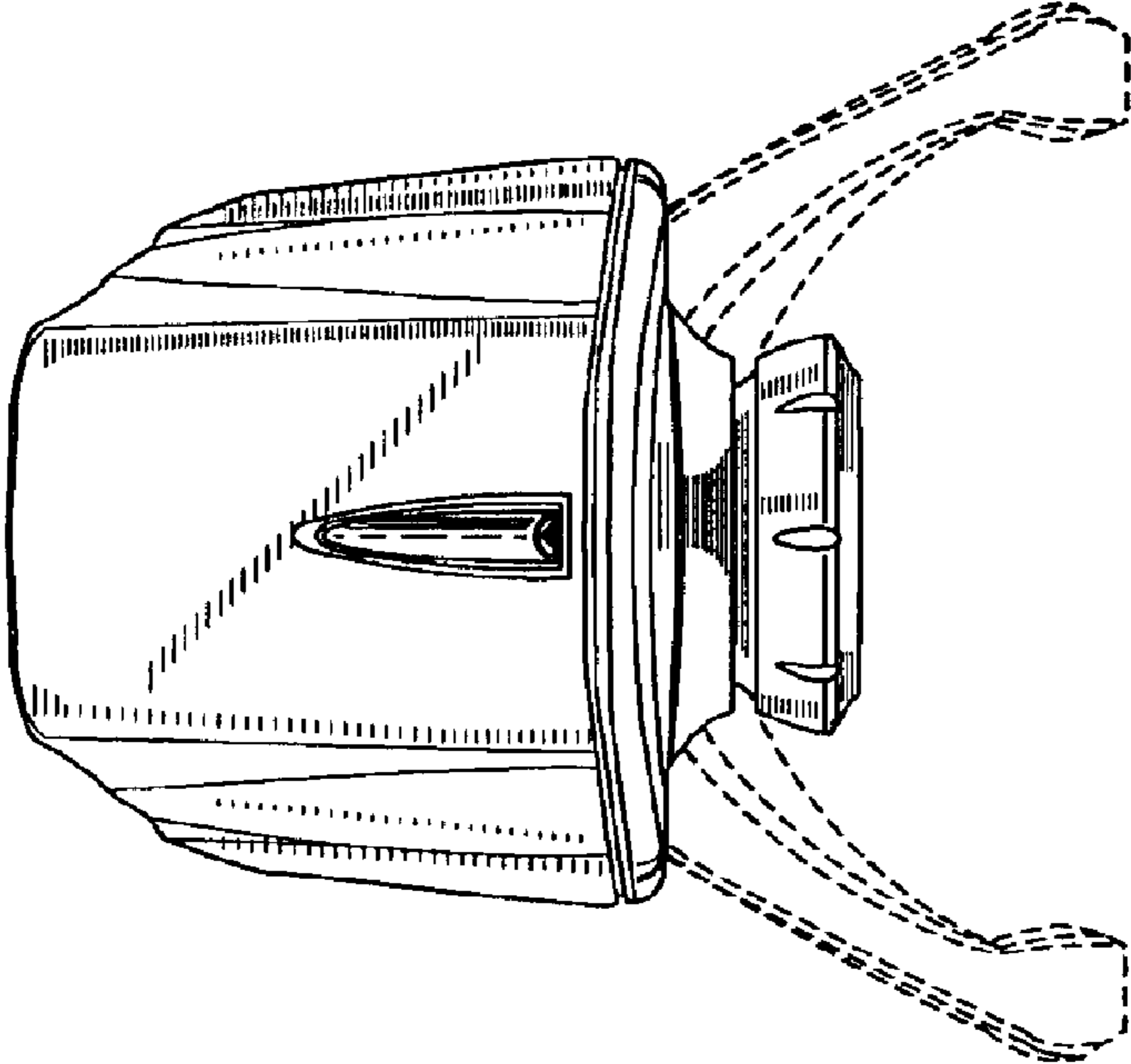


FIG. 6

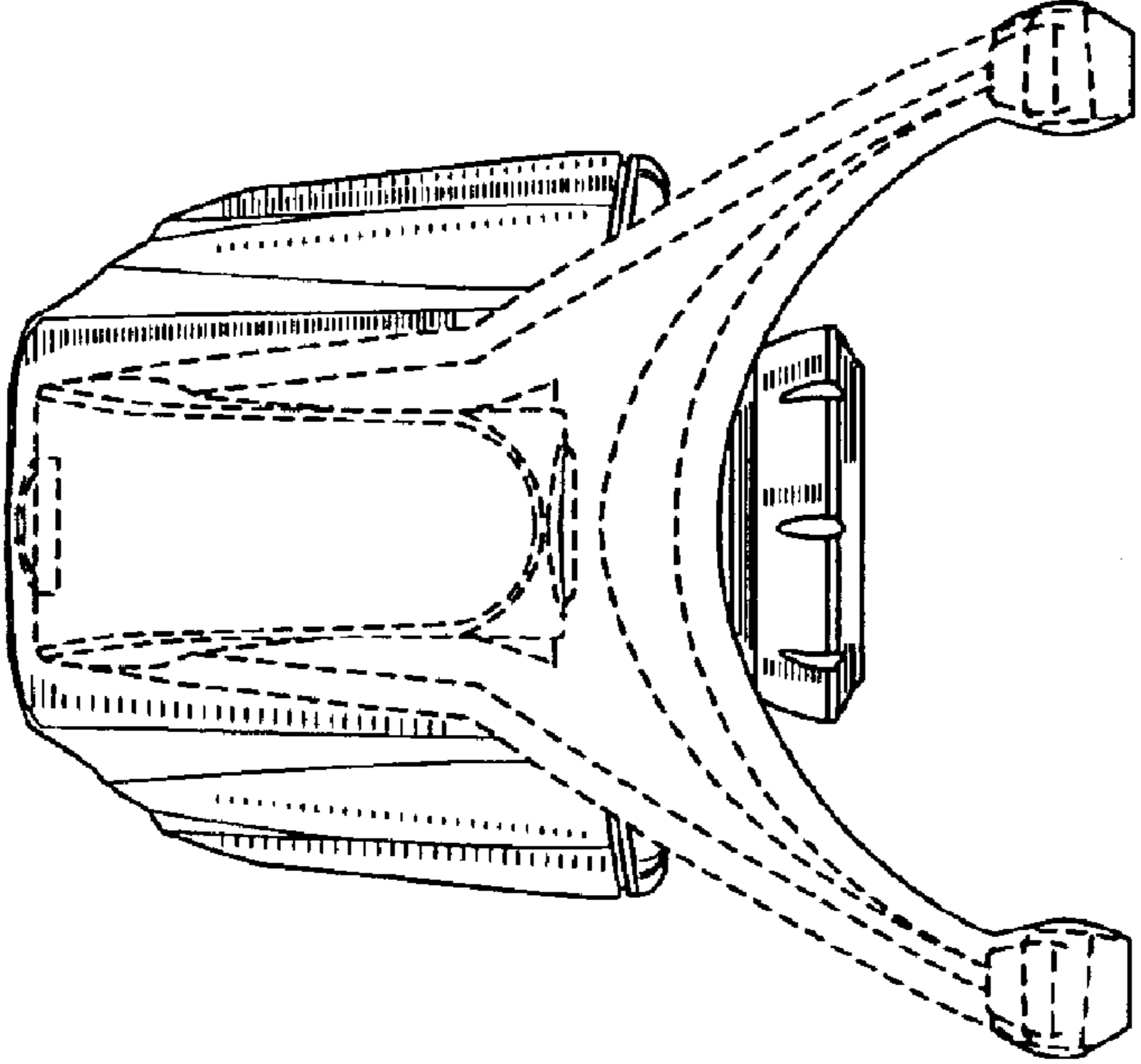


FIG. 5

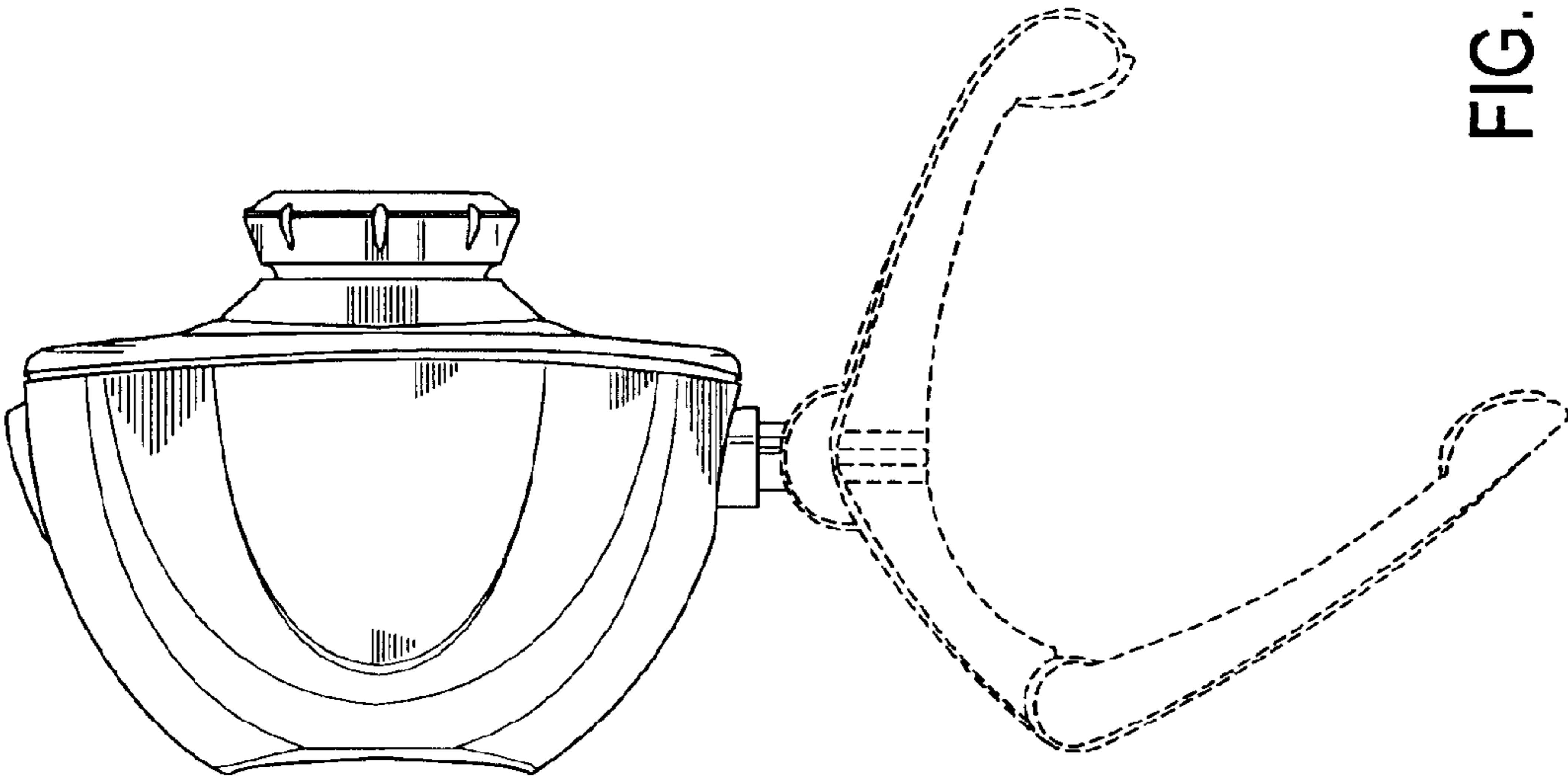


FIG. 8

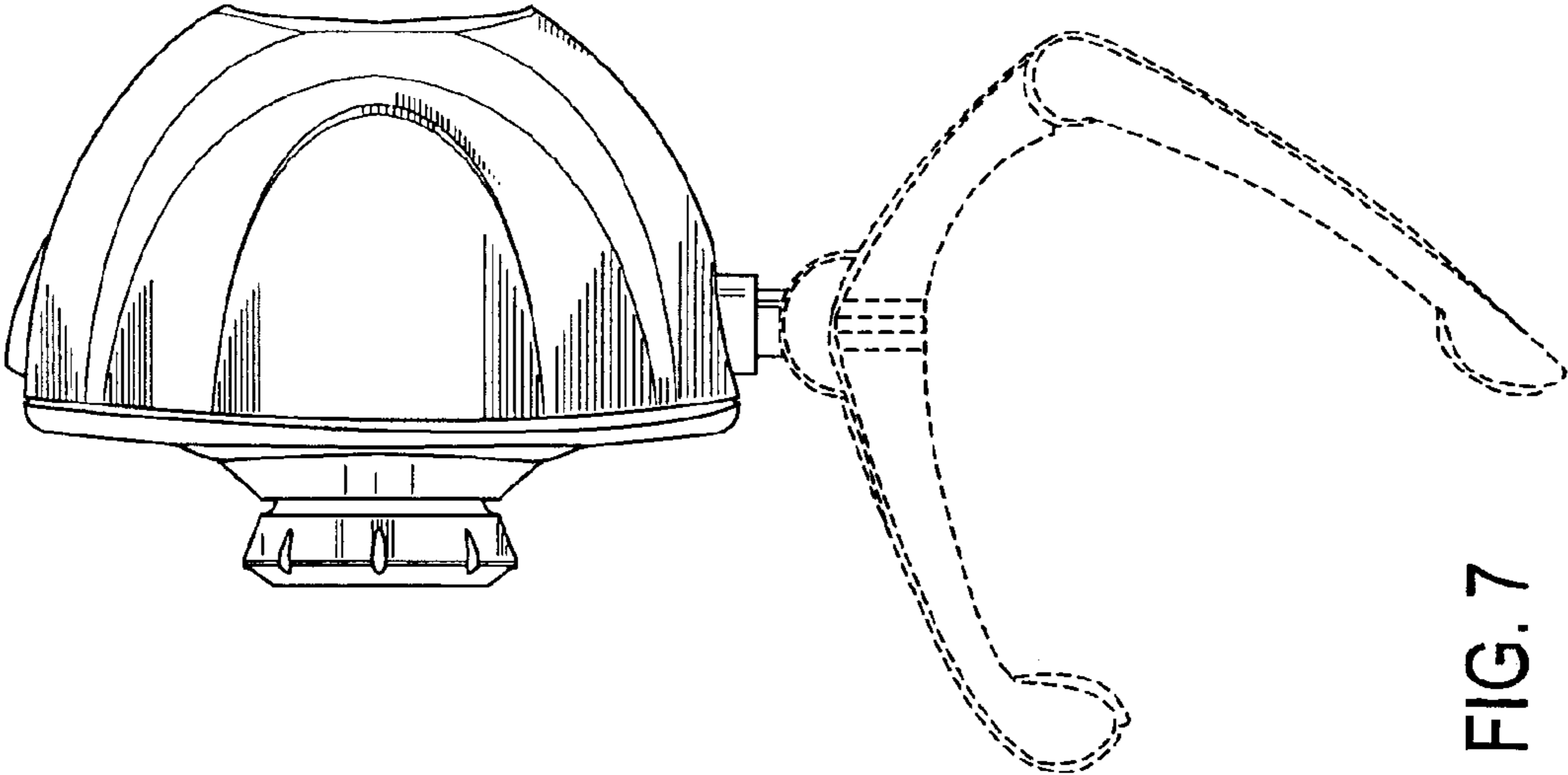


FIG. 7