



US00D507006S

(12) **United States Design Patent**  
**Apotheloz et al.**

(10) **Patent No.: US D507,006 S**  
(45) **Date of Patent: \*\* Jul. 5, 2005**

(54) **MICROSCOPE STAND**

(75) Inventors: **Christophe Apotheloz**, Zurich (CH);  
**Kenneth M. Northem**, West Seneca,  
NY (US)

(73) Assignee: **Leica Microsystems Wetzlar GmbH**,  
Wetzlar (DE)

(\*\*) Term: **14 Years**

(21) Appl. No.: **29/204,076**

(22) Filed: **Apr. 22, 2004**

(30) **Foreign Application Priority Data**

Oct. 25, 2003 (DE) ..... 403 06 867

(51) **LOC (8) Cl. .... 16-06**

(52) **U.S. Cl. .... D16/131**

(58) **Field of Search** ..... D16/130, 131,  
D16/134; 359/375, 376, 381, 382, 383,  
385, 390, 393

(56) **References Cited**

**U.S. PATENT DOCUMENTS**

- D195,998 S \* 8/1963 Aubok ..... D16/131
- 4,299,440 A \* 11/1981 Hodgson ..... 359/393
- D291,702 S \* 9/1987 Kahute ..... D16/131
- D296,904 S \* 7/1988 Lukaszewski ..... D16/131
- D345,748 S \* 4/1994 Holbl ..... D16/131
- D354,761 S \* 1/1995 Komatsuzaki et al. .... D16/131

- D400,548 S \* 11/1998 Komatsuzaki ..... D16/131
- D404,410 S \* 1/1999 Hoffman-Igl ..... D16/131
- D425,921 S \* 5/2000 Holbl et al. .... D16/131
- D429,265 S 8/2000 Höbl et al.
- D444,159 S 6/2001 Höbl et al.

\* cited by examiner

*Primary Examiner*—Paula A. Greene

(74) *Attorney, Agent, or Firm*—Simpson & Simpson, PLLC

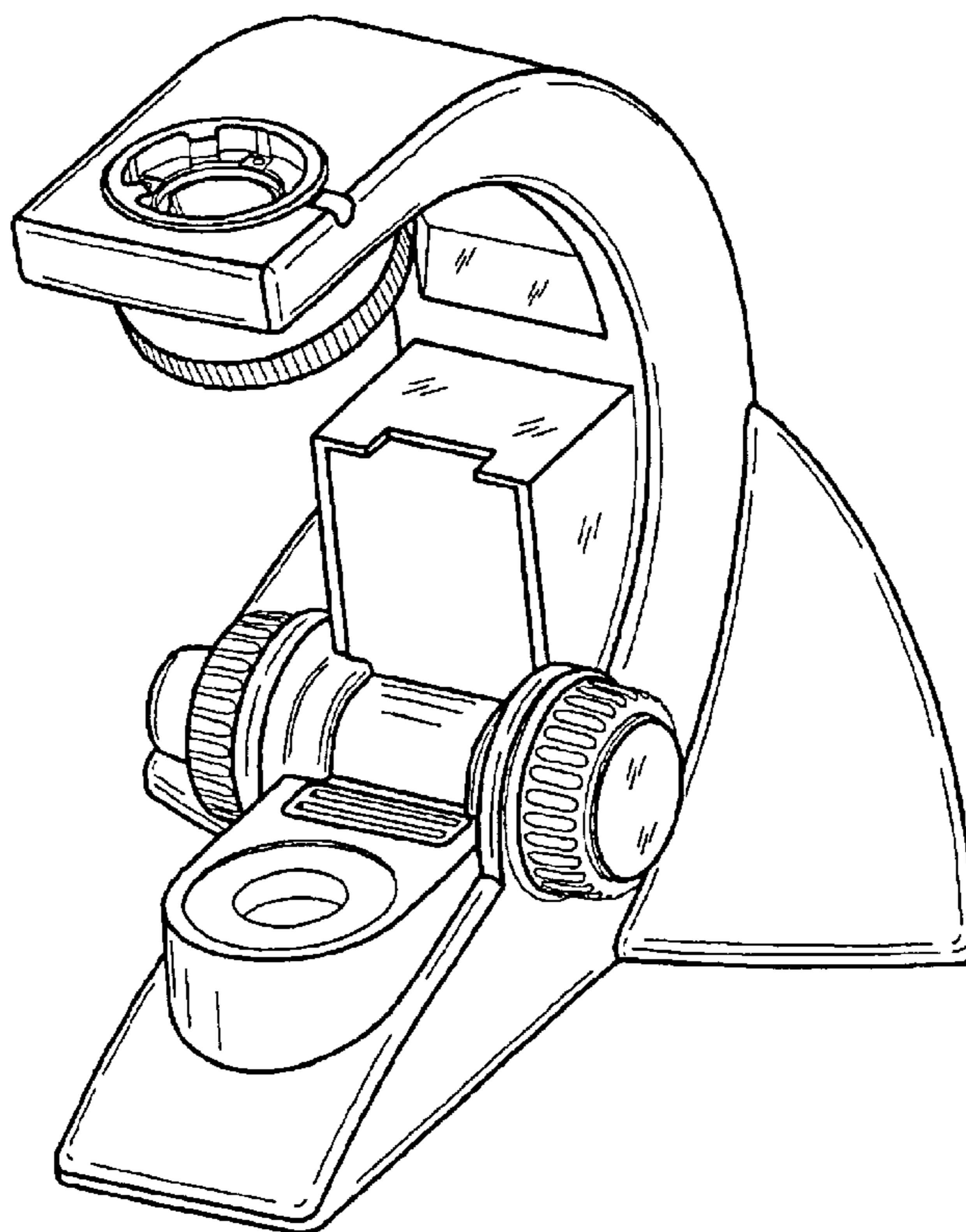
(57) **CLAIM**

The ornamental design for a microscope stand, as shown and described.

**DESCRIPTION**

FIG. 1 is a perspective view of a microscope stand, viewed at an angle to its upper left front, showing our new design; FIG. 2 is a left side view of the microscope stand of present invention; FIG. 3 is a front view of the microscope stand of present invention; FIG. 4 is a right side view of the microscope stand of present invention; FIG. 5 is a rear view of the microscope stand of present invention; FIG. 6 is a top view of the microscope stand of present invention; and, FIG. 7 is a bottom view of the microscope stand of present invention.

**1 Claim, 7 Drawing Sheets**



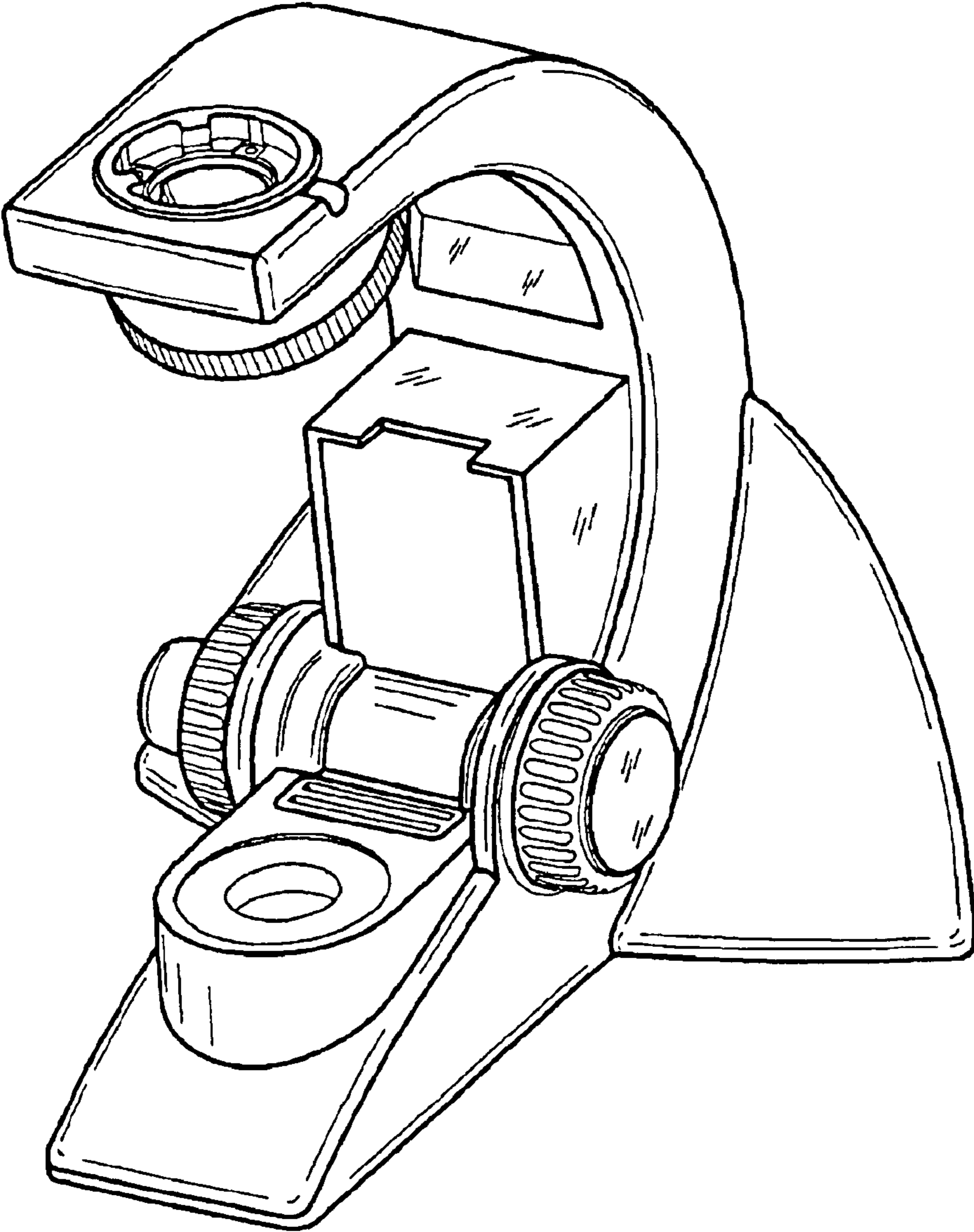


Fig. 1

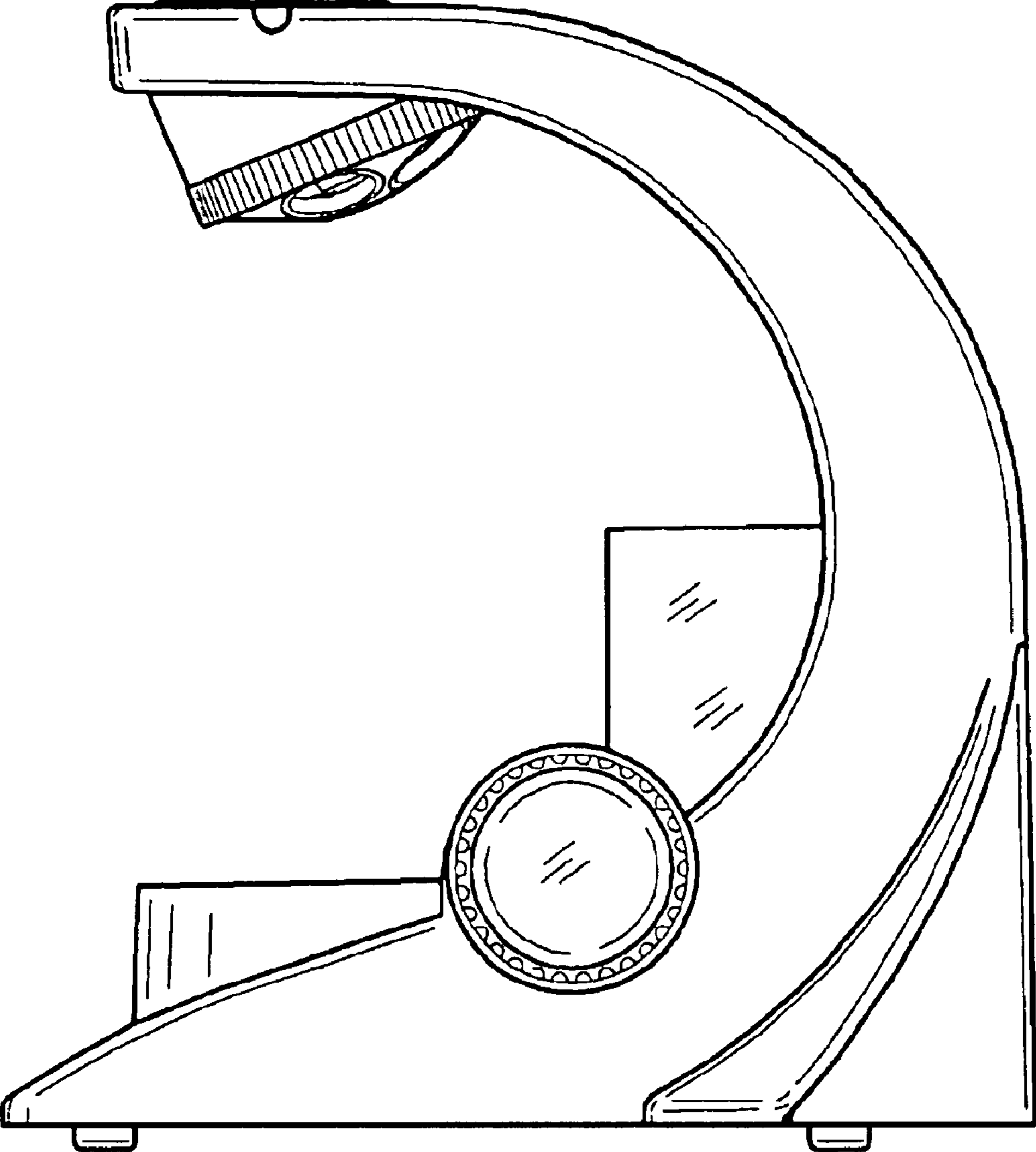


Fig. 2

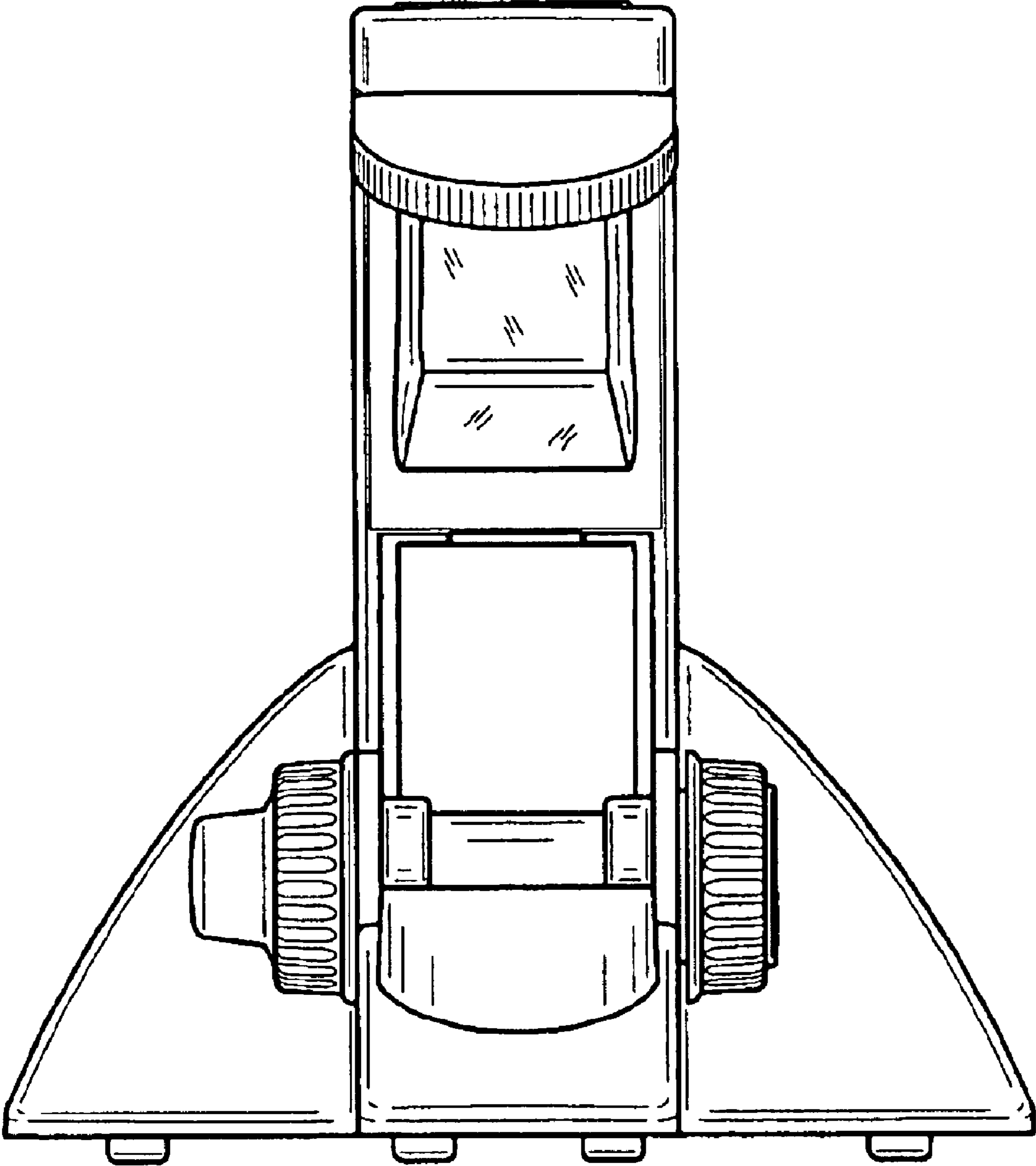


Fig. 3

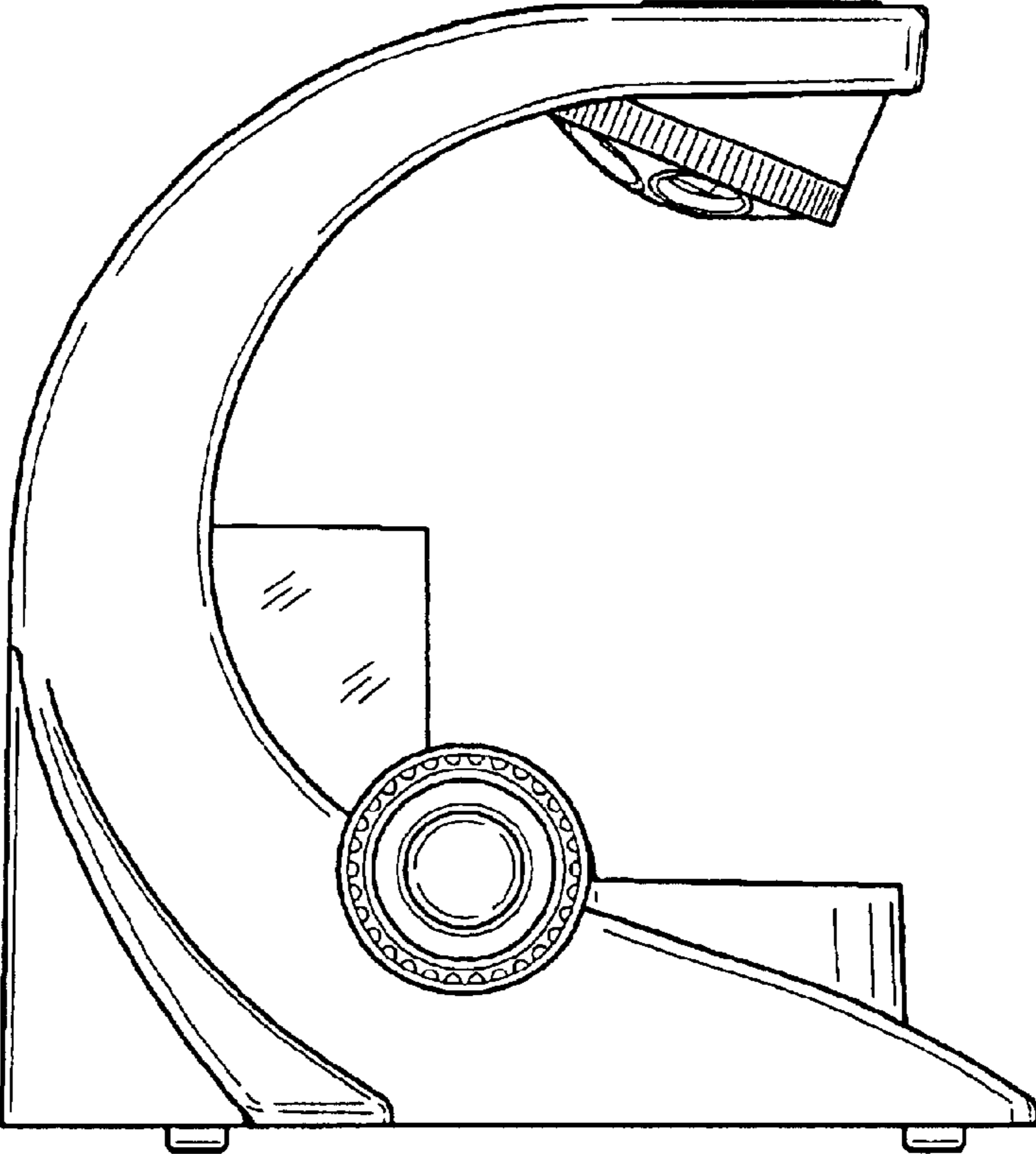


Fig. 4

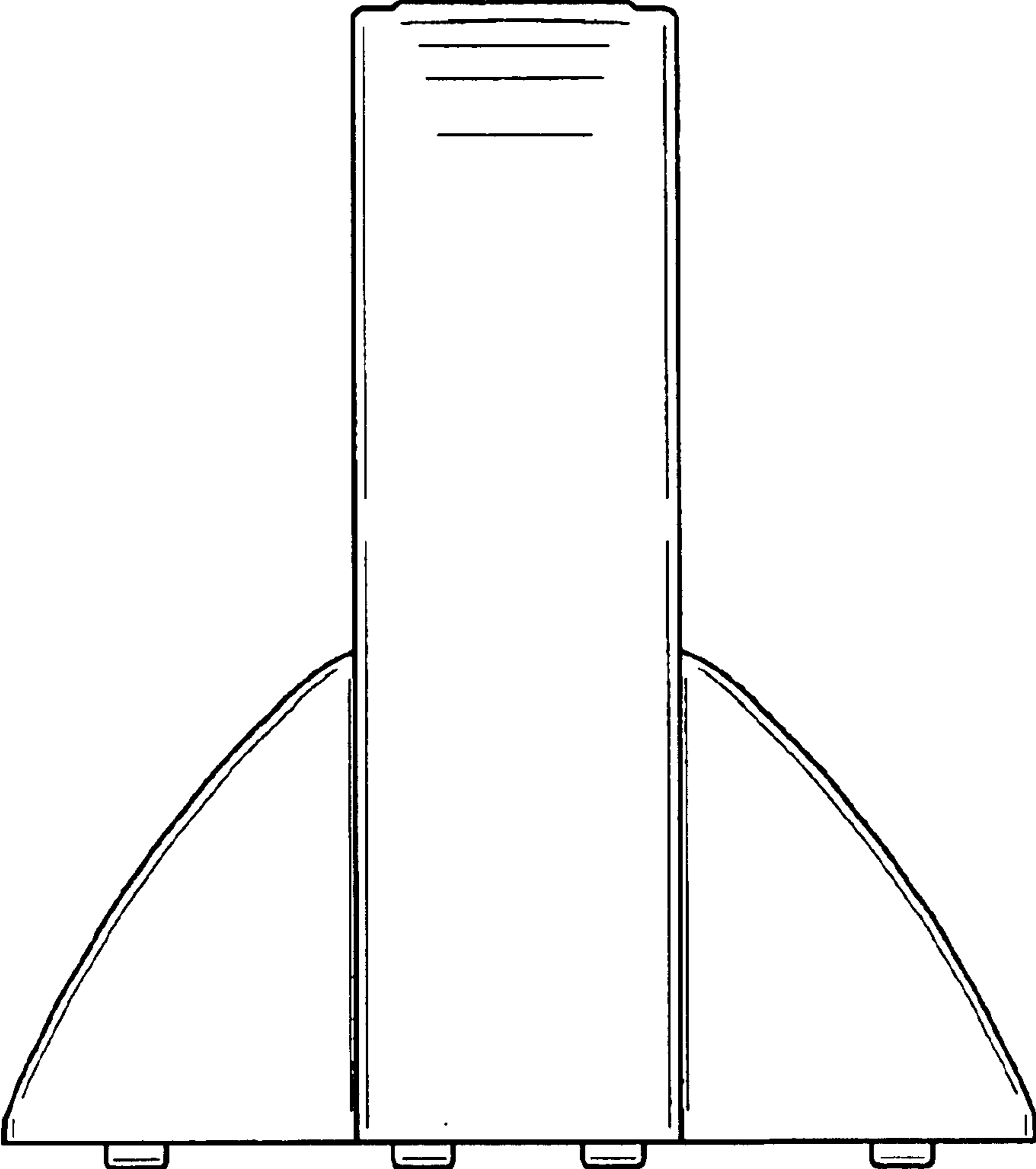


Fig. 5

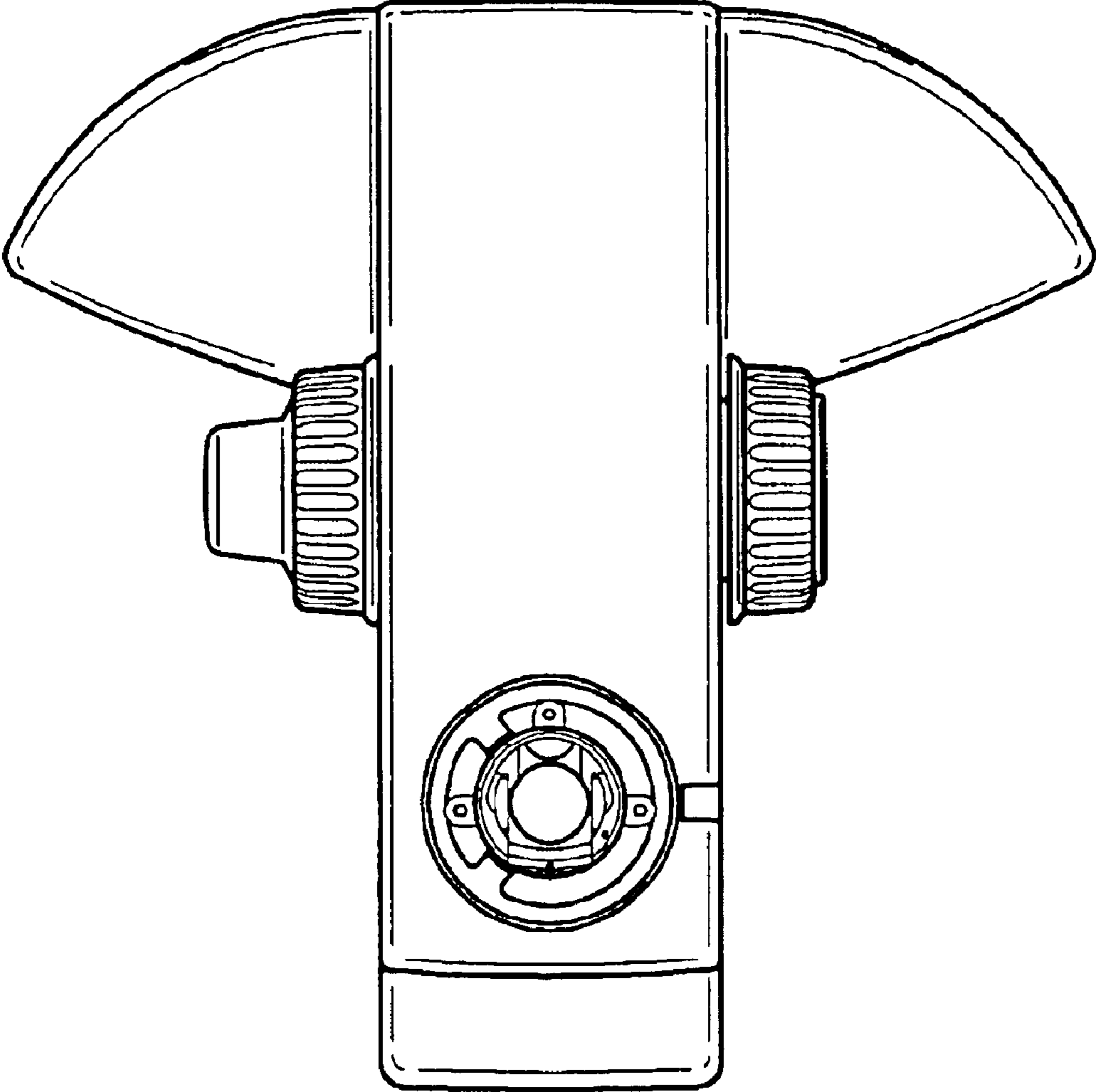


Fig. 6

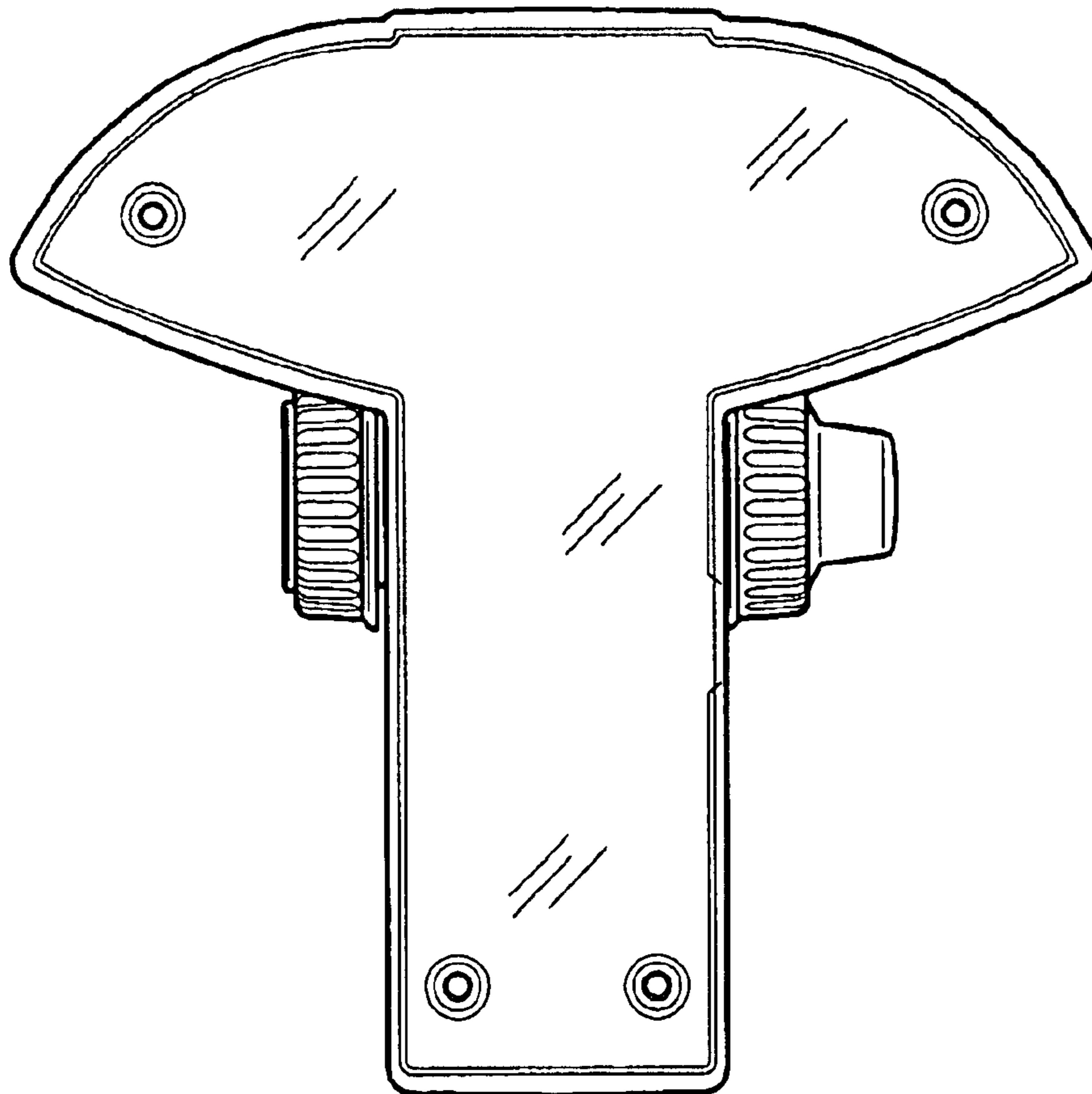


Fig. 7