

US00D507004S

(12) **United States Design Patent**  
**Westendorf et al.**

(10) **Patent No.:** **US D507,004 S**  
(45) **Date of Patent:** **\*\* Jul. 5, 2005**

(54) **FRONT END LOADER**

(75) Inventors: **Neal W. Westendorf**, Dakota Dunes,  
SD (US); **Joseph W. Langenfeld**,  
Onawa, IA (US)

(73) Assignee: **Westendorf Manufacturing Co., Inc.**,  
Onawa, IA (US)

(\*\*) **Term:** **14 Years**

4,566,844 A 1/1986 Campin  
4,606,692 A 8/1986 Langenfeld et al.  
4,787,811 A 11/1988 Langenfeld et al.  
4,790,084 A 12/1988 Anderson et al.  
4,797,051 A 1/1989 Langenfeld et al.  
4,859,130 A 8/1989 Langenfeld et al.  
4,890,400 A 1/1990 Long  
4,915,575 A 4/1990 Langenfeld et al.  
4,930,974 A 6/1990 Langenfeld et al.  
4,968,213 A 11/1990 Langenfeld et al.  
4,995,760 A 2/1991 Probst et al.

(21) Appl. No.: **29/198,972**

(22) Filed: **Feb. 6, 2004**

(51) **LOC (8) Cl.** ..... **15-03**

(52) **U.S. Cl.** ..... **D15/32**

(58) **Field of Search** ..... D15/22-26, 28,  
D15/32; 180/89.1, 89.12, 89.13; 266/190,  
202; 414/685, 722, 724, 540, 559, 694,  
708

(56) **References Cited**

**U.S. PATENT DOCUMENTS**

2,326,338 A 8/1943 Drott et al.  
2,812,595 A 11/1957 Drott et al.  
3,077,999 A 2/1963 Svoboda  
3,209,474 A 10/1965 Artman  
D204,246 S \* 4/1966 Shumaker ..... D15/32  
3,243,905 A 4/1966 Ulrich  
3,344,540 A 10/1967 Ulrich  
3,455,477 A 7/1969 Blair  
D214,833 S \* 8/1969 Glommen ..... D15/32  
D217,661 S 5/1970 McCawley  
3,512,665 A 5/1970 Westendorf  
3,701,443 A 10/1972 Lely  
3,732,995 A \* 5/1973 Shepherd ..... 414/540  
D230,622 S 3/1974 Conroy et al.  
3,991,890 A 11/1976 Frank  
4,033,469 A 7/1977 Frank  
4,051,962 A 10/1977 Westendorf  
4,085,856 A 4/1978 Westendorf  
4,345,870 A 8/1982 Anderson et al.  
4,376,612 A \* 3/1983 Yeou ..... 414/694  
4,538,955 A 9/1985 Langenfeld et al.  
4,565,485 A 1/1986 Wilman

(Continued)

**OTHER PUBLICATIONS**

“Kubota Diesel Tractor, ”Catalog No. 3079-01-US, 12  
Pages, Feb. 1990.

“Bush Hog Front End Loaders, ”12 Pages, Date unknown.  
“Bush Hog QT Series Front End Loaders, ”16 Pages, Date  
unknown.

*Primary Examiner*—Mitchell Siegel

(74) *Attorney, Agent, or Firm*—Merchant & Gould P.C.

(57) **CLAIM**

The ornamental design for a front end loader, as shown and  
described.

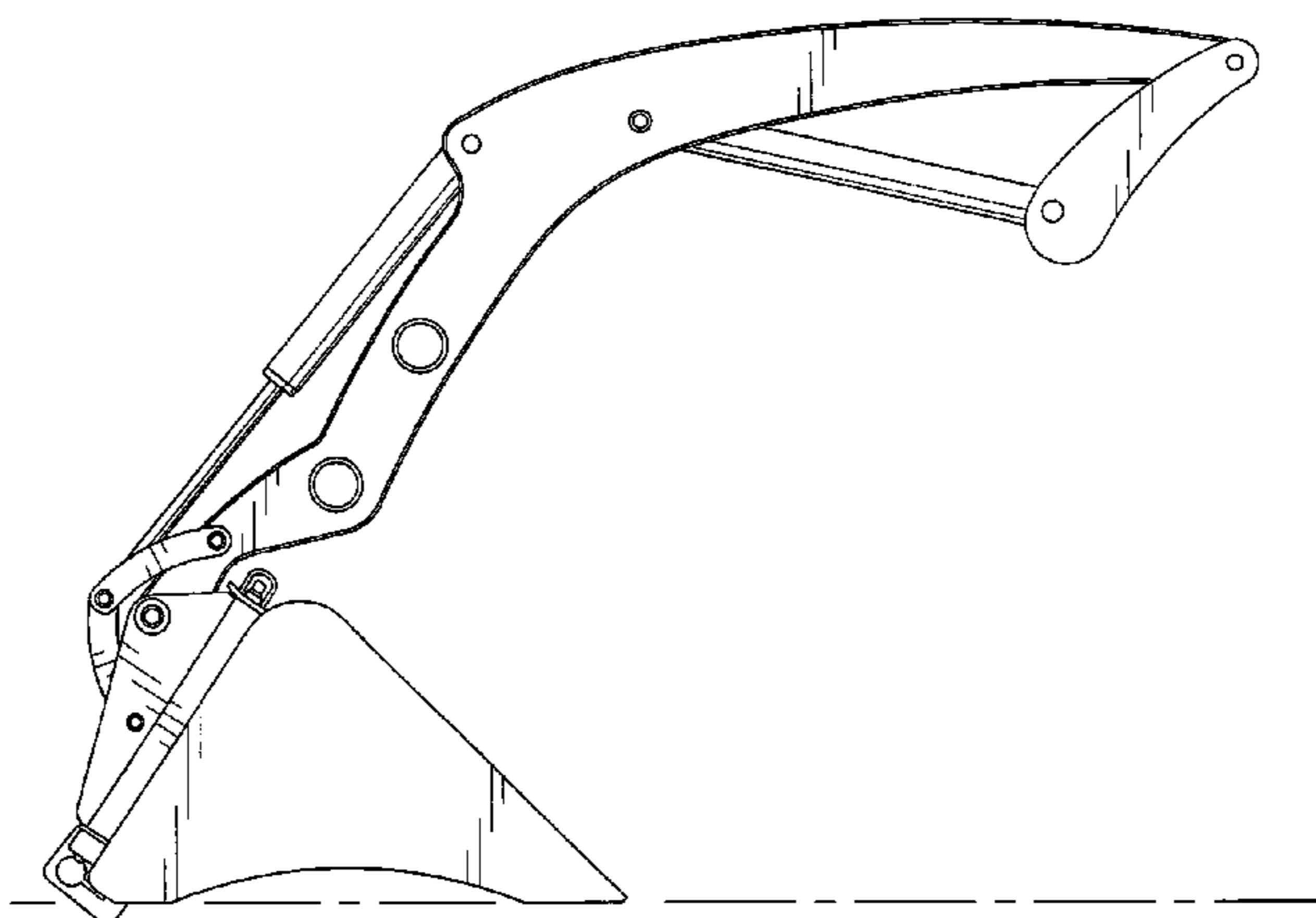
**DESCRIPTION**

FIG. 1 is a side elevational view of a front end loader  
according to the invention shown resting on ground in a  
storage position; and,

FIG. 2 is a side elevational view of the front end loader of  
FIG. 1 shown attached to a tractor.

The views of the front end loader other than those shown do  
not form a part of the claim of this design patent application.  
The portions provided by broken lines are intended to reflect  
environment and do not form a part of the indicated embodi-  
ment of this design patent application. The remaining  
dimensions of the front end loader are apparent from the  
disclosure of U.S. Application Ser. No. 10/719,657 that was  
filed with the United States Patent and Trademark office on  
Nov. 21, 2003. The entire disclosure of U.S. Application Ser.  
No. 10/719,657 is incorporated herein by reference.

**1 Claim, 2 Drawing Sheets**



# US D507,004 S

Page 2

---

U.S. PATENT DOCUMENTS			
4,999,022	A	3/1991	Veys
5,121,557	A	6/1992	Moore
5,240,367	A	8/1993	Nakamura et al.
5,387,076	A	2/1995	Fuzzen
D361,576	S	8/1995	Matsubara et al.
5,466,113	A	11/1995	Norberg
5,785,328	A	7/1998	Eckloff
D405,807	S	* 2/1999	Amy et al. .... D15/25
D406,151	S	* 2/1999	Cunningham et al. .... D15/25
5,885,050	A	* 3/1999	Kim ..... 414/713
D416,266	S	* 11/1999	Del Torchio ..... D15/25
5,984,618	A	* 11/1999	Deneve et al. .... 414/722
5,997,237	A	12/1999	Langenfeld et al.
6,142,724	A	11/2000	Hirooka et al.
D459,368	S	6/2002	Westendorf et al.
6,582,177	B1	6/2003	Westendorf et al.
6,663,337	B2	12/2003	Westendorf et al.

\* cited by examiner

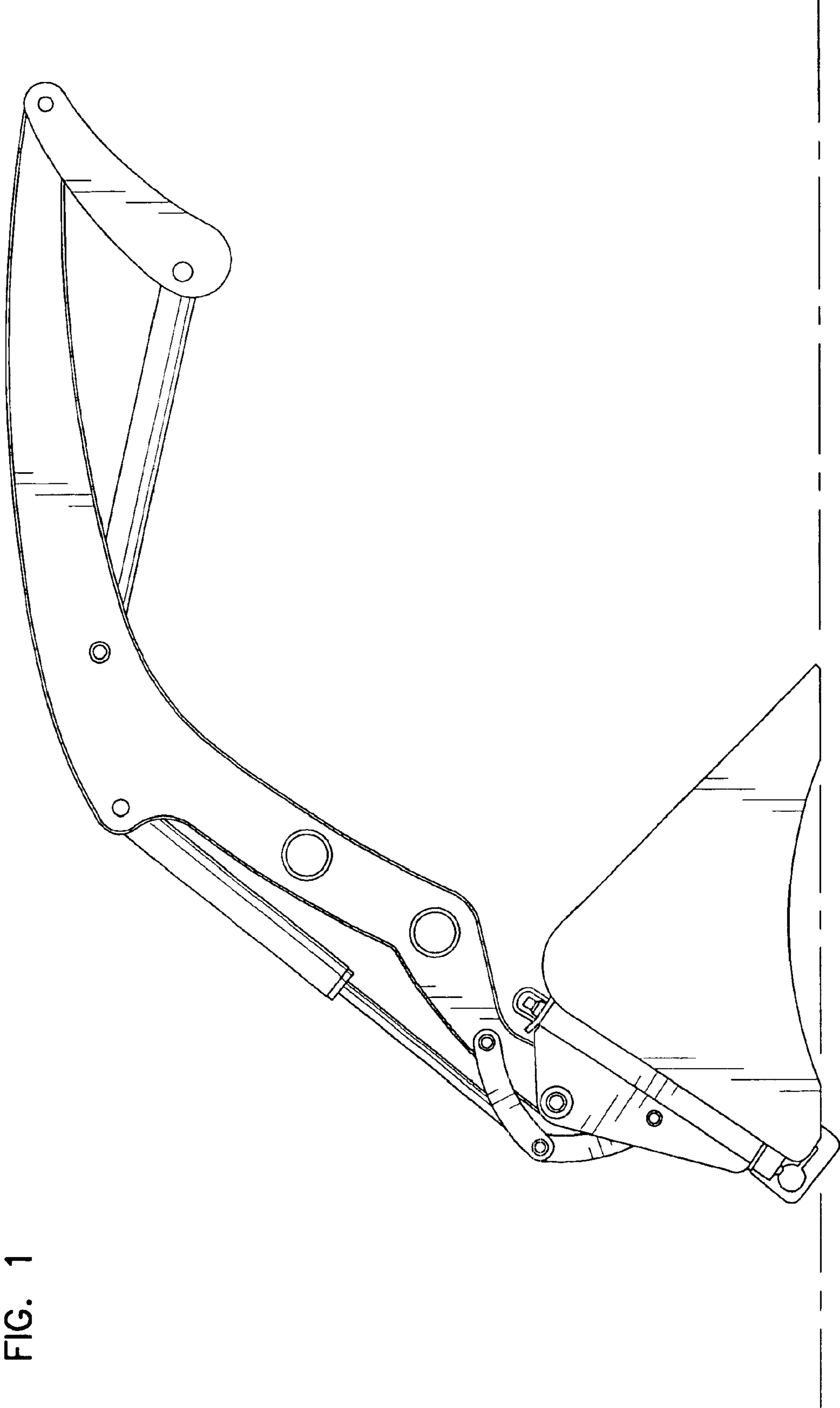


FIG. 1

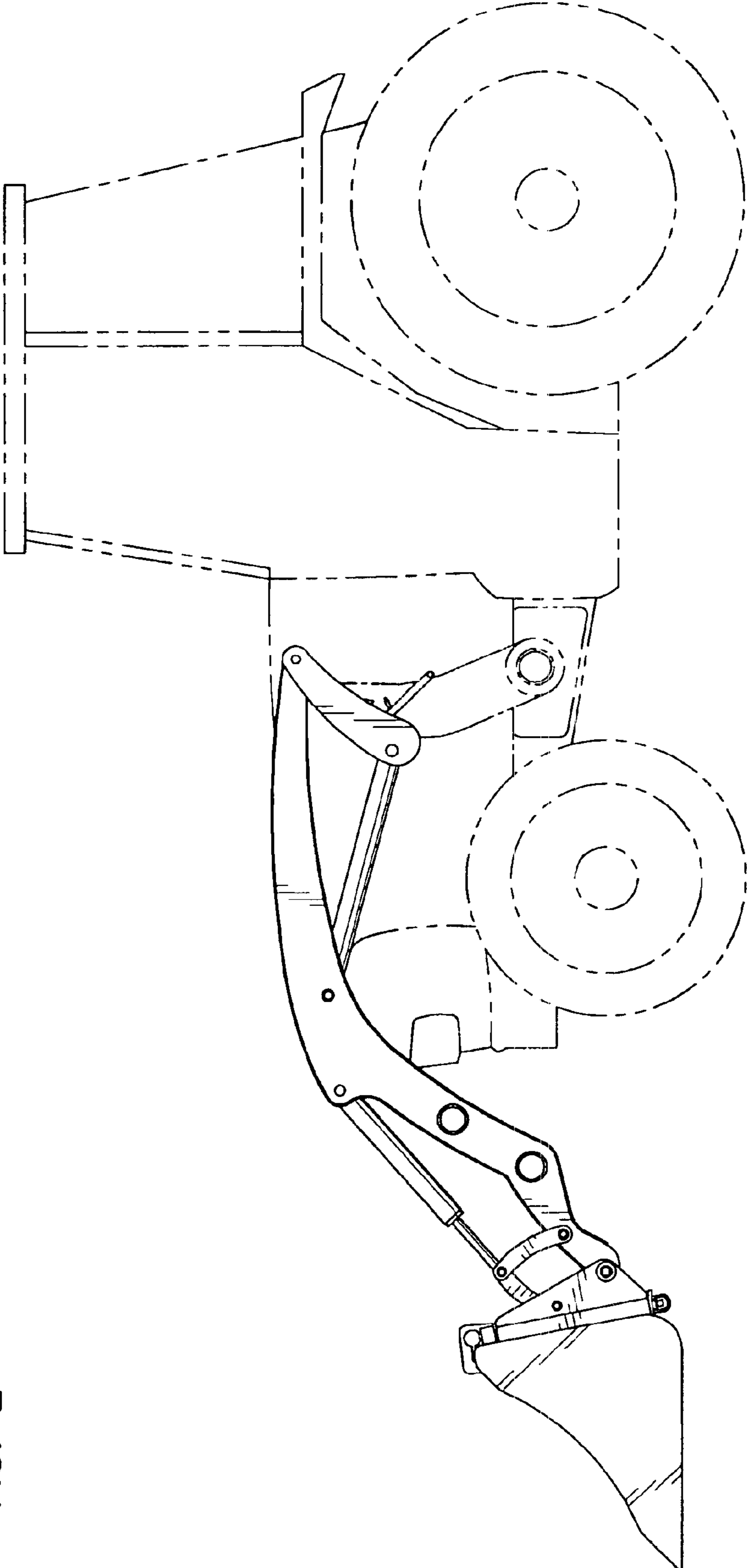


FIG. 2