

US00D507003S

(12) **United States Design Patent**  
**Pai et al.**

(10) **Patent No.:** **US D507,003 S**  
(45) **Date of Patent:** **\*\* Jul. 5, 2005**

(54) **PORTABLE MULTIMEDIA PLAYBACK APPARATUS**

(75) Inventors: **Yun-Tung Pai**, Taipei (TW);  
**Shih-Heng Chen**, Taipei (TW)

(73) Assignee: **Compal Electronics, Inc.**, Taipei (TW)

(\*\*) Term: **14 Years**

(21) Appl. No.: **29/208,079**

(22) Filed: **Jun. 22, 2004**

(51) **LOC (8) Cl.** ..... **14-03**

(52) **U.S. Cl.** ..... **D14/496**

(58) **Field of Search** ..... D14/496, 125,  
D14/137, 159, 160, 474, 433, 435; 273/148 B;  
700/94; 710/62, 63, 100; 365/189.05; 348/231.3,  
231; 463/40-47; 206/308.1, 307; 369/2,  
24, 25; 370/342-344

(56) **References Cited**

**U.S. PATENT DOCUMENTS**

D379,454 S	*	5/1997	Kruse et al.	.....	D14/496
5,661,632 A	*	8/1997	Register	.....	361/683
5,825,408 A	*	10/1998	Yuyama et al.	.....	348/14.01
6,122,526 A	*	9/2000	Parulski et al.	.....	455/556.1
D469,109 S	*	1/2003	Andre et al.	.....	D14/496

6,595,860 B1	*	7/2003	Yamamoto et al.	.....	463/43
D488,483 S	*	4/2004	Hu	.....	D14/496
D494,188 S	*	8/2004	Huang	.....	D14/496
D497,618 S	*	10/2004	Andre et al.	.....	D14/496
D499,423 S	*	12/2004	Bahroocha et al.	.....	D14/496

\* cited by examiner

*Primary Examiner*—Prabhakar Deshmukh

(74) *Attorney, Agent, or Firm*—J.C. Patents

(57) **CLAIM**

The ornamental design for a portable multimedia playback apparatus, as shown and described.

**DESCRIPTION**

FIG. 1 is a top, front and right side perspective view of a portable multimedia playback apparatus showing the new design.

FIG. 2 is a front elevational view thereof.

FIG. 3 is a rear elevational view thereof.

FIG. 4 is a left side elevational view thereof.

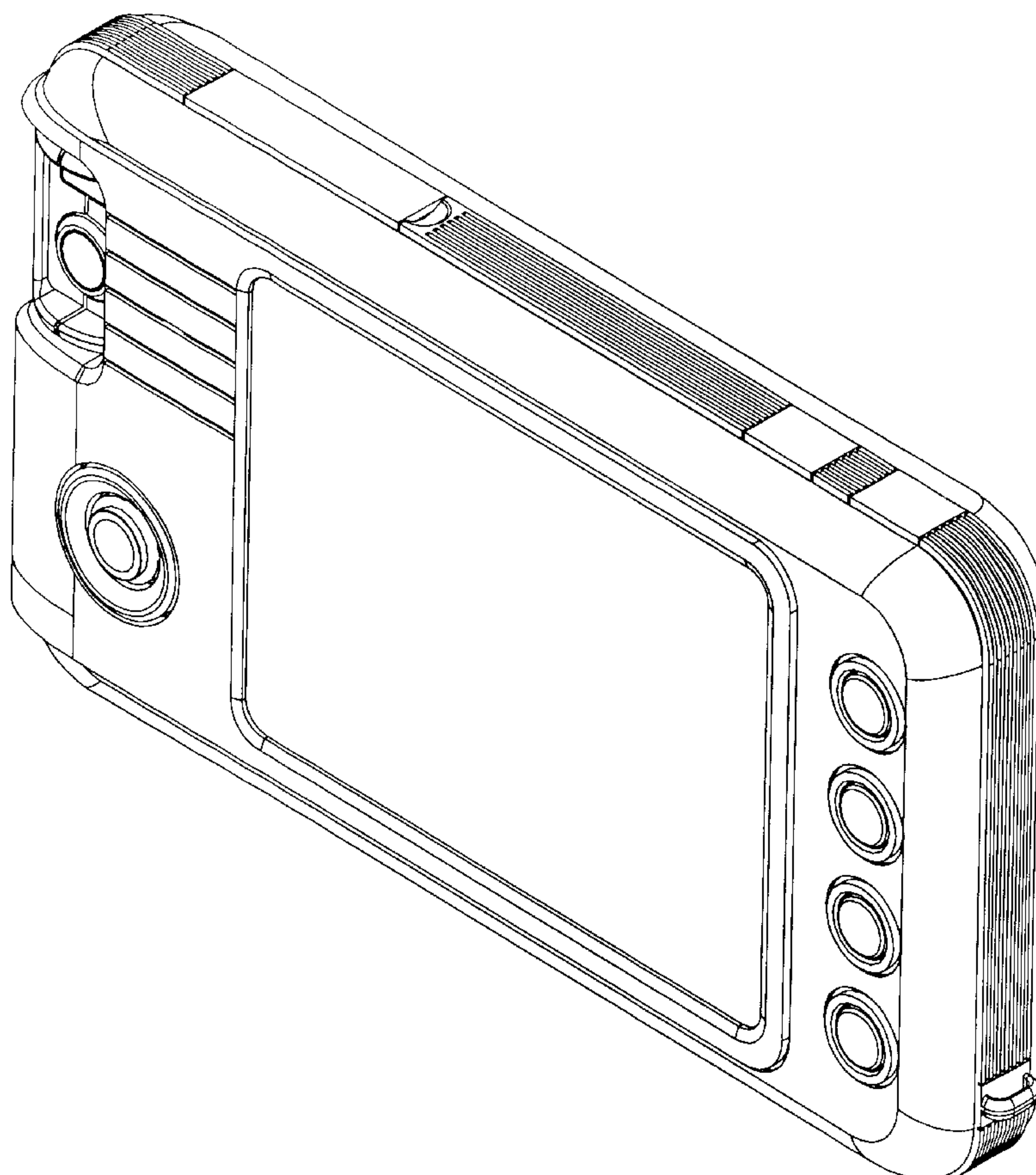
FIG. 5 is a right side elevational view thereof.

FIG. 6 is a top plan view thereof.

FIG. 7 is a bottom plan view thereof; and,

FIG. 8 is a top, back and left side perspective view of a portable multimedia playback apparatus showing the new design.

**1 Claim, 8 Drawing Sheets**



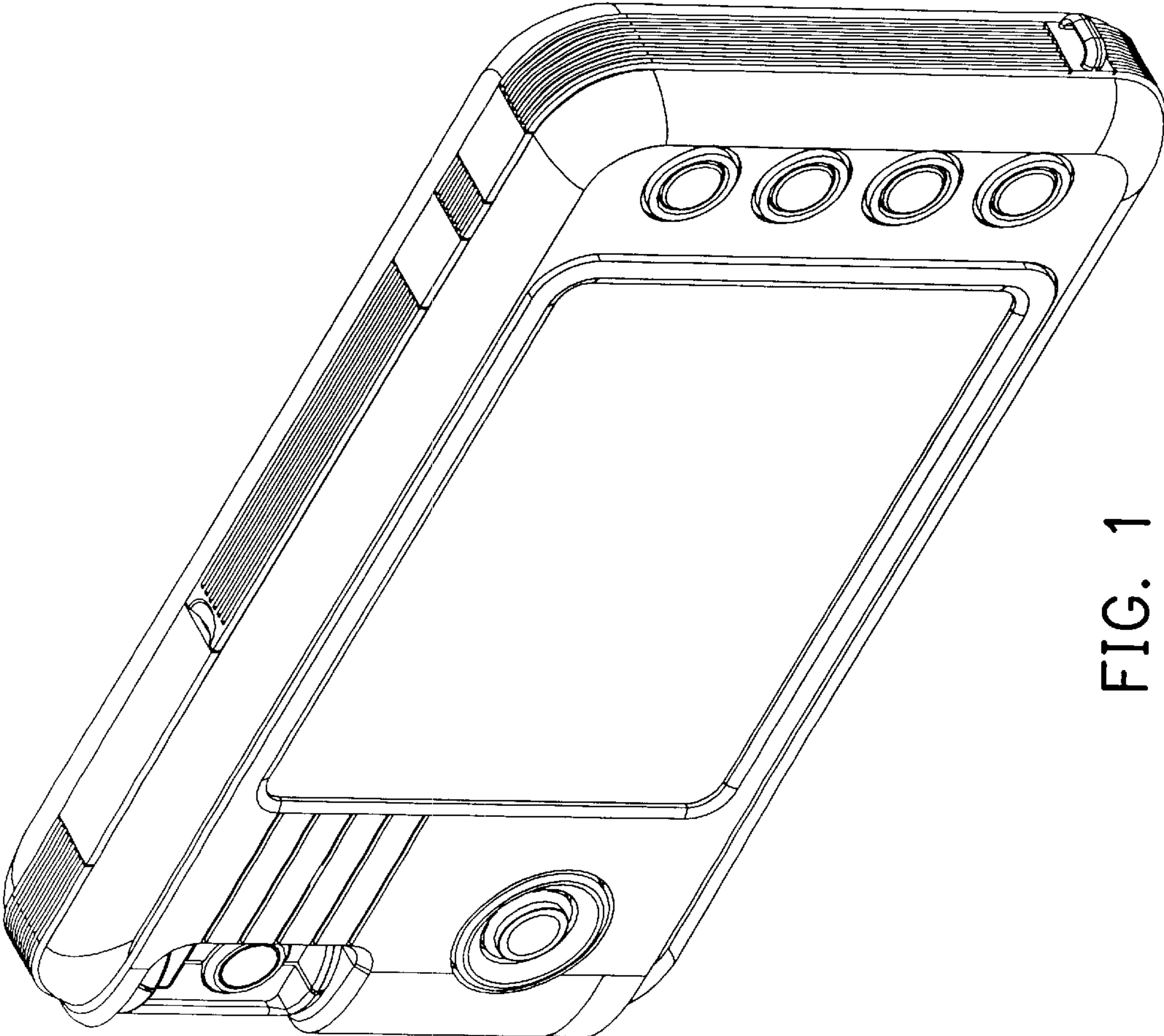


FIG. 1

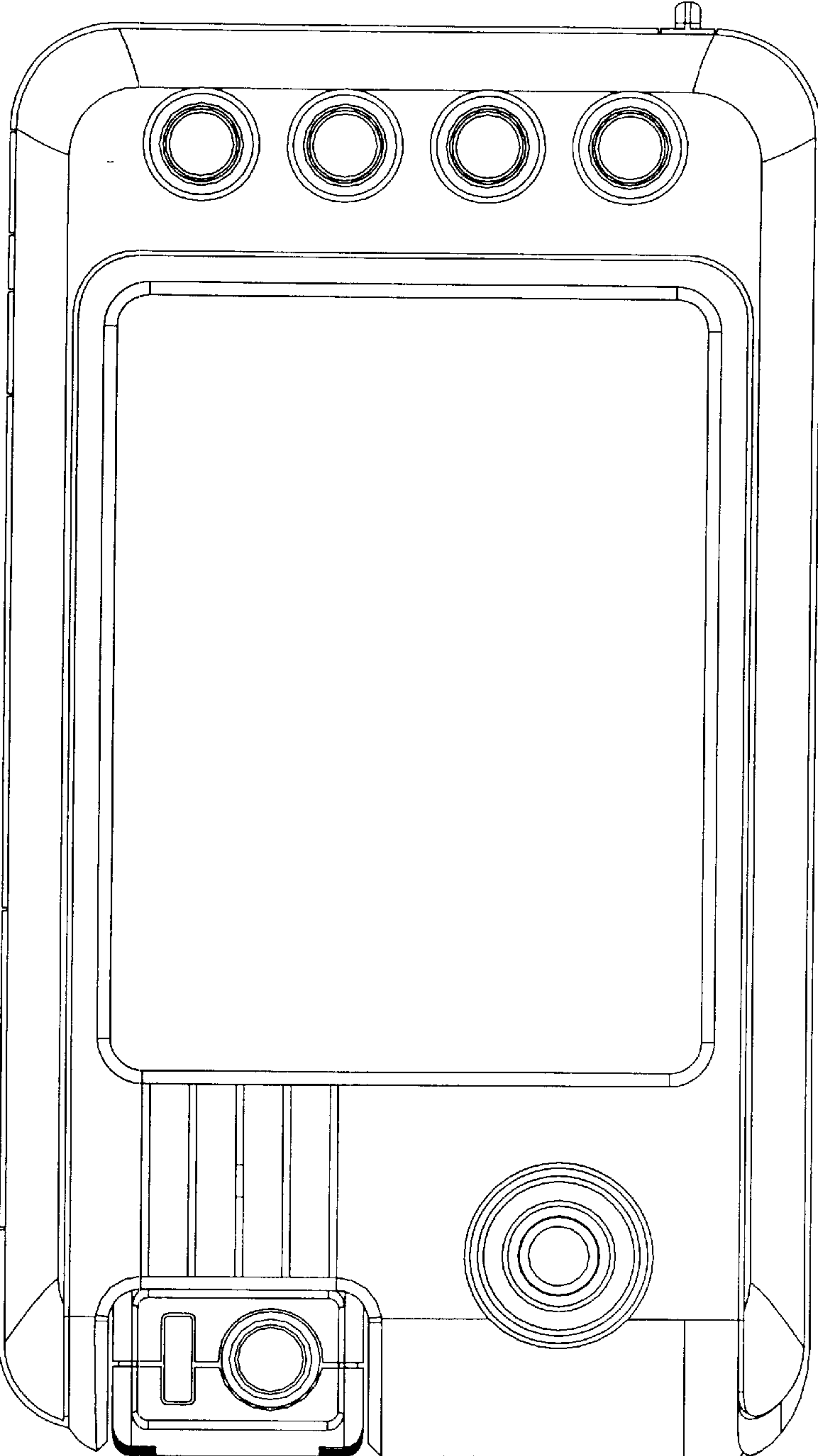


FIG. 2

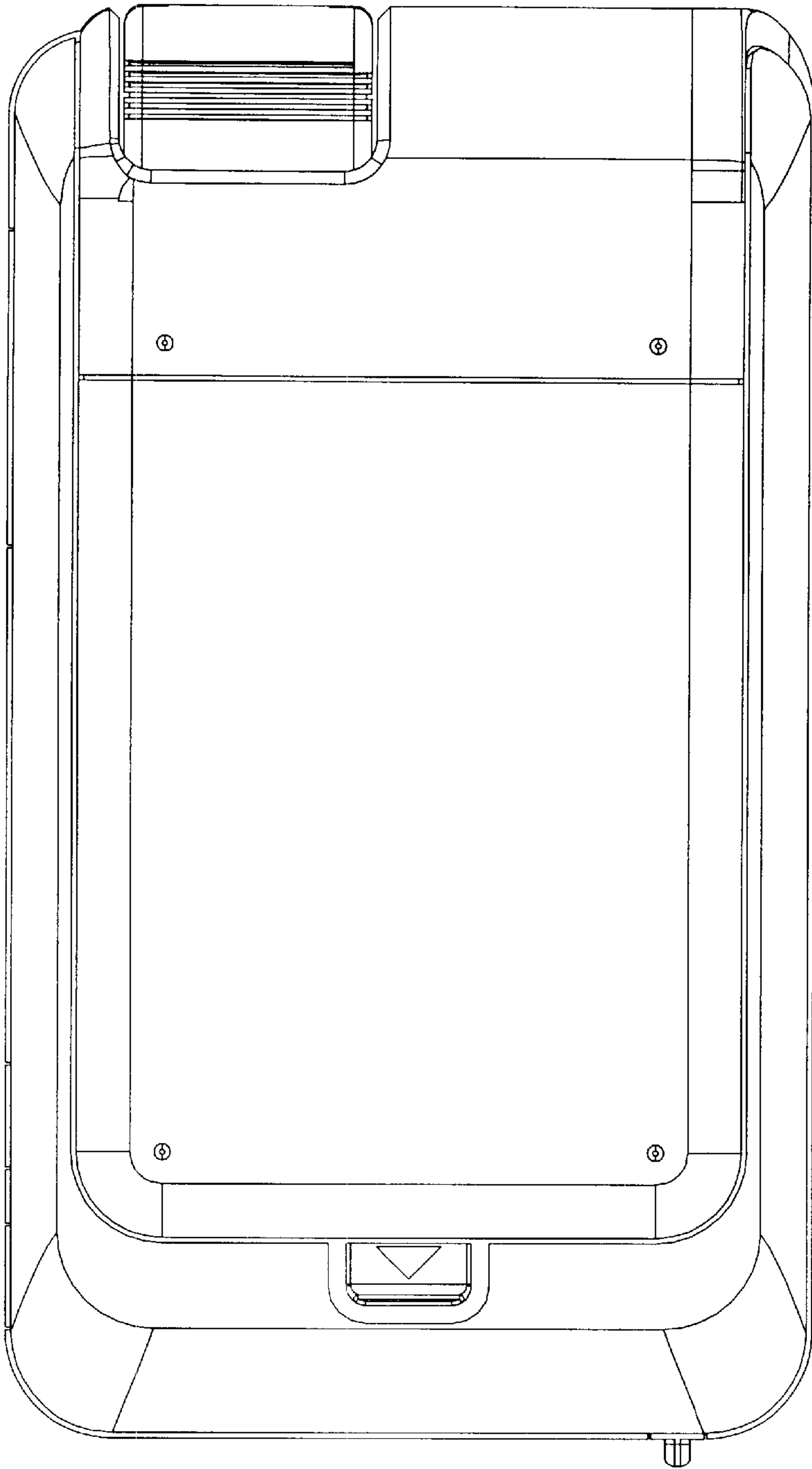


FIG. 3

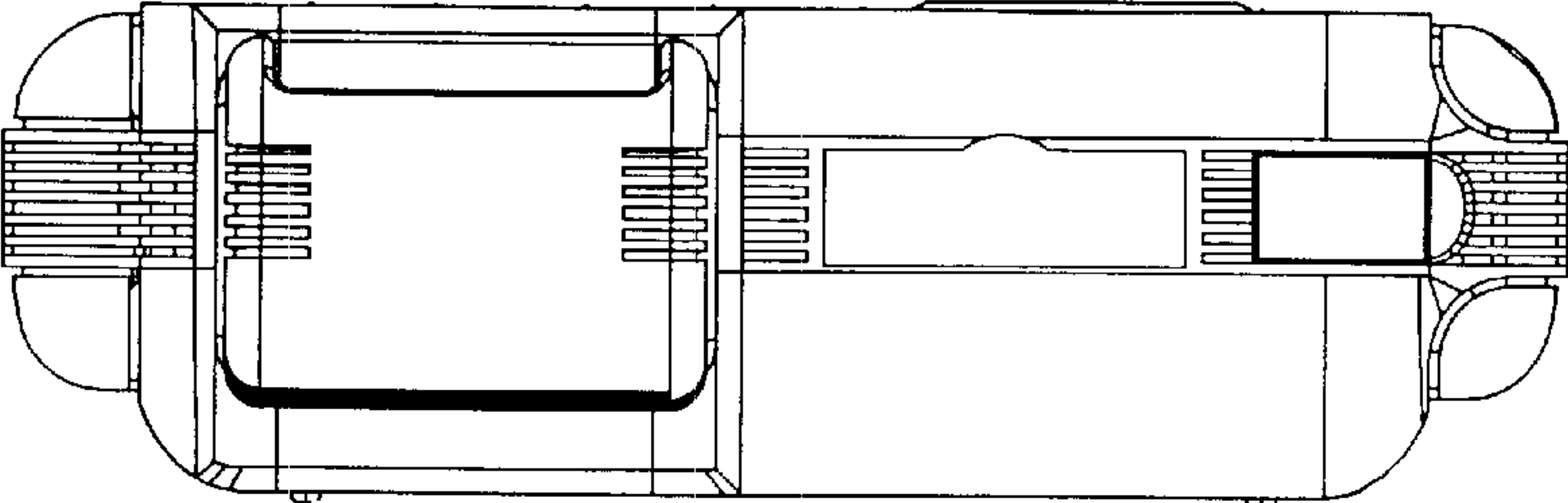


FIG. 4

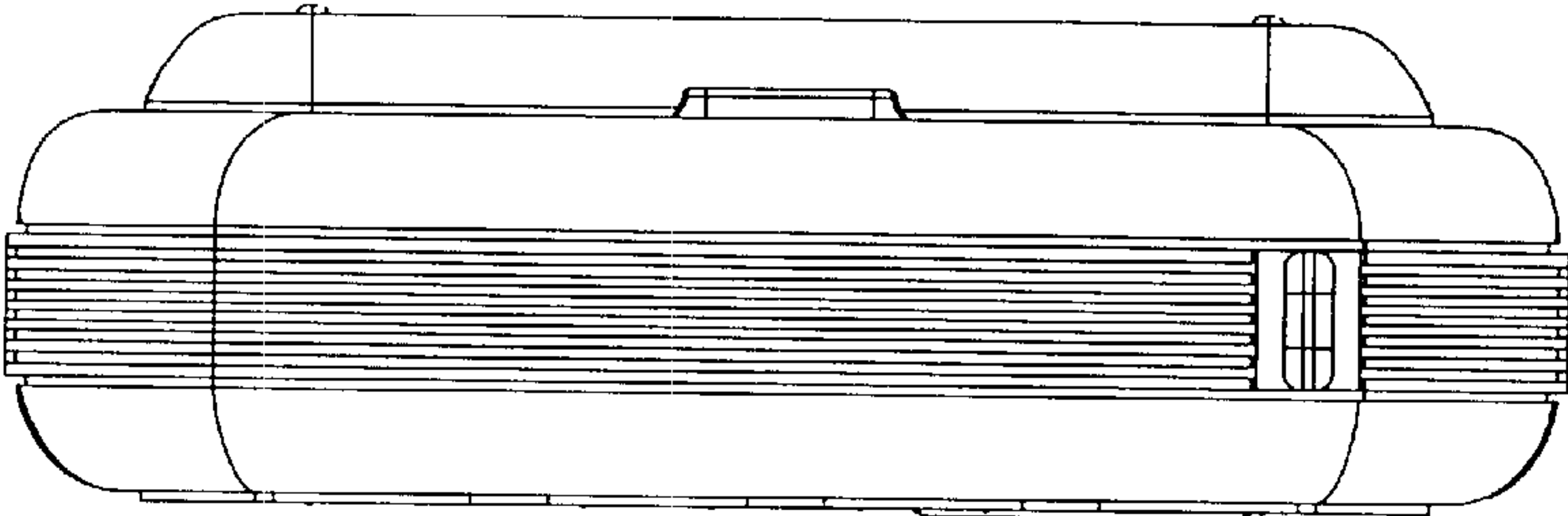


FIG. 5



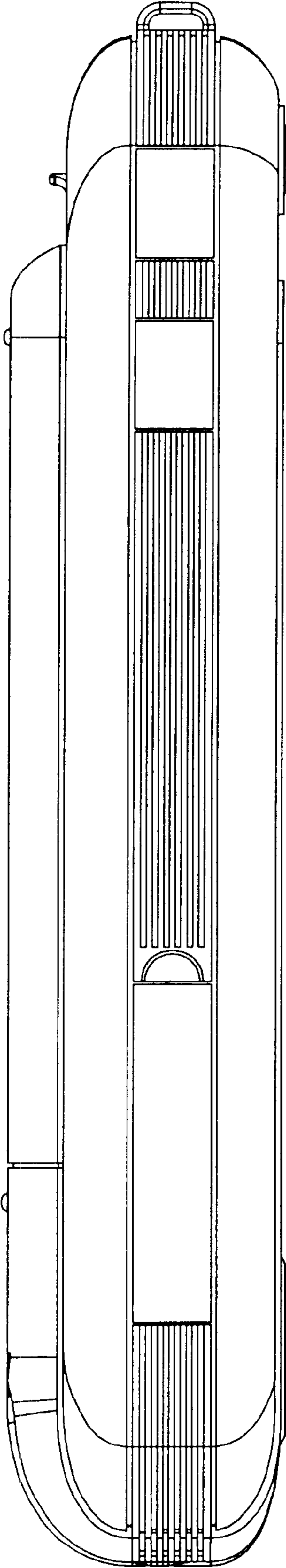


FIG. 6

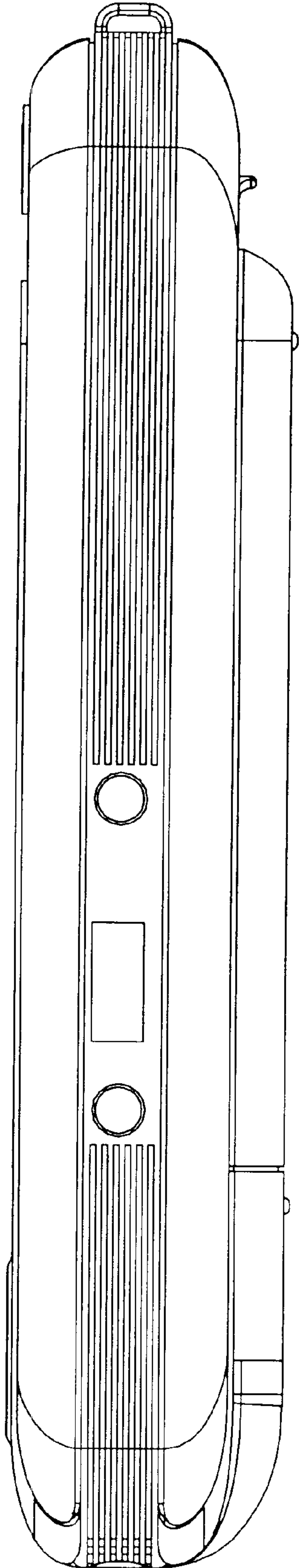


FIG. 7



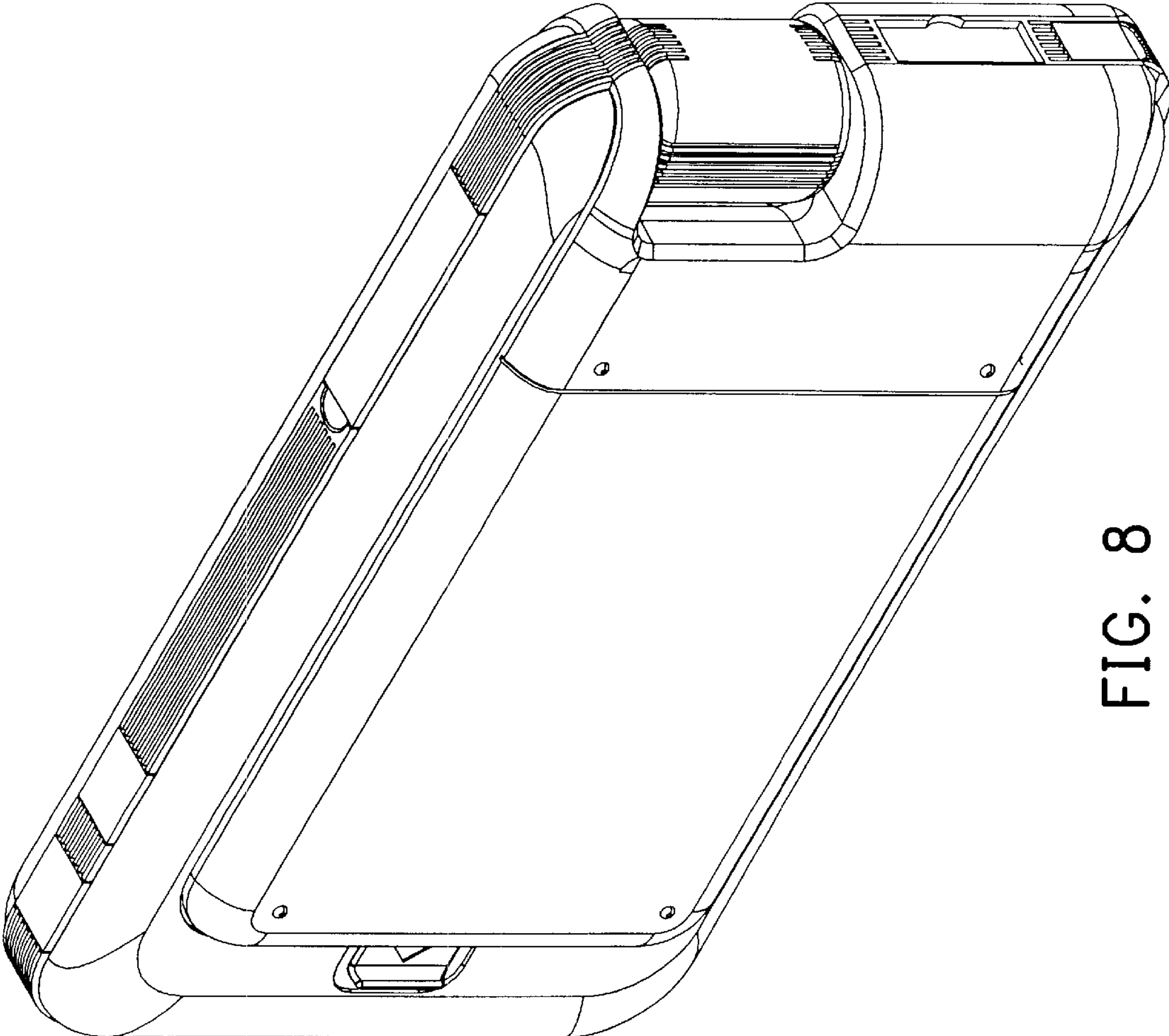


FIG. 8