

US00D507001S

(12) **United States Design Patent** (10) **Patent No.:** **US D507,001 S**
Boissonneault et al. (45) **Date of Patent:** **** Jul. 5, 2005**

(54) **RIGID SUPPORT FOR A THIN FILM DATA STORAGE MEDIUM**

(75) Inventors: **Ronald A. Boissonneault**, Imperial, PA (US); **Ramesh M. Pisipati**, Wexford, PA (US)

(73) Assignee: **Bayer MaterialScience LLC**, Pittsburgh, PA (US)

(*) Notice: This patent is subject to a terminal disclaimer.

(**) Term: **14 Years**

(21) Appl. No.: **29/203,125**

(22) Filed: **Apr. 8, 2004**

Related U.S. Application Data

(63) Continuation-in-part of application No. 10/281,703, filed on Oct. 28, 2002, now Pat. No. 6,779,193.

(51) **LOC (8) Cl.** **14-99**

(52) **U.S. Cl.** **D14/478**

(58) **Field of Search** D14/423-3, 435, D14/478-80; D6/626-7, 407; 360/60, 129, 132-3, 135, 97.01-99.12; 206/312, 307, 308.1, 308.2

(56) **References Cited**

U.S. PATENT DOCUMENTS

- D248,753 S * 8/1978 Pulse D14/478
- 5,072,438 A * 12/1991 Suzuki et al. 369/290
- 5,208,802 A * 5/1993 Suzuki et al. 369/289

- 5,912,875 A * 6/1999 Lowe et al. 369/291
- D418,502 S * 1/2000 Friday D14/121
- D419,151 S * 1/2000 Koedel D14/121
- D421,427 S * 3/2000 Siegel D14/114
- D435,853 S * 1/2001 Mehta et al. D14/478
- D439,583 S * 3/2001 Siegel D14/474
- D442,970 S * 5/2001 Lowenstein D14/478
- D445,113 S * 7/2001 Siegel D14/474
- D447,146 S * 8/2001 Myers D14/478
- D453,521 S * 2/2002 Haruna et al. D14/478
- 2003/0035364 A1 * 2/2003 Choi 369/289
- 2003/0174639 A1 * 9/2003 Wang et al. 369/289

* cited by examiner

Primary Examiner—M. H. Tung

(74) *Attorney, Agent, or Firm*—Joseph C. Gil; James R. Franks

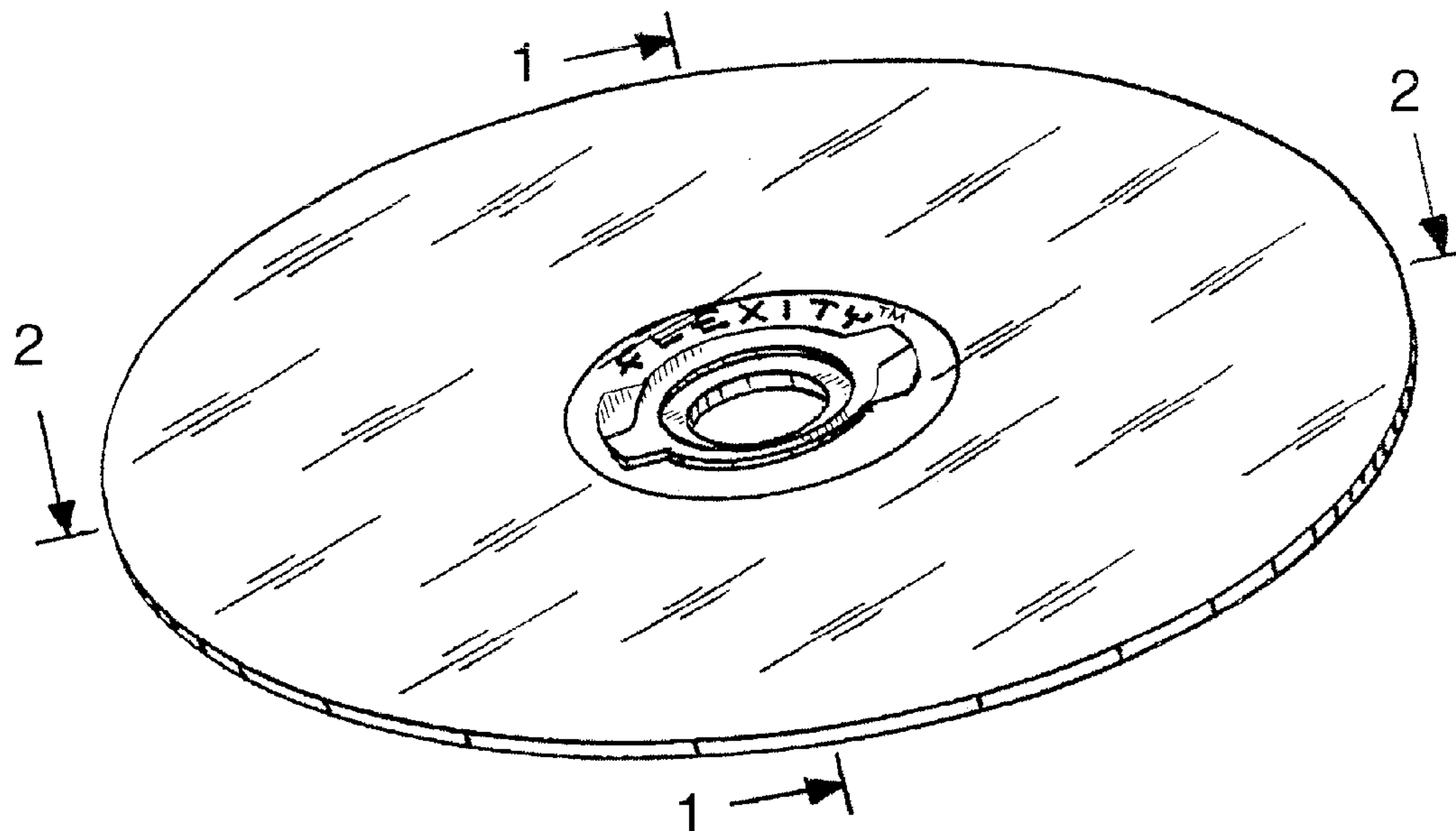
(57) **CLAIM**

The ornamental design for a rigid support for a thin film data storage medium, as shown and described.

DESCRIPTION

FIG. 1 is a top perspective view of a rigid support for a thin film data storage medium showing our new design;
 FIG. 2 is a top plan view thereof;
 FIG. 3 is a top plan view of a second embodiment thereof;
 FIG. 4 is a top plan view of a third embodiment thereof;
 FIG. 5 is a top plan view of a fourth embodiment thereof;
 FIG. 6 is a bottom plan view of the design of FIG. 1;
 FIG. 7 is a side elevation view thereof, as seen towards line 2—2, the opposite side is a mirror image; and,
 FIG. 8 is a front elevation view thereof, as seen towards line 1—1, the rear view is a mirror image.

1 Claim, 3 Drawing Sheets



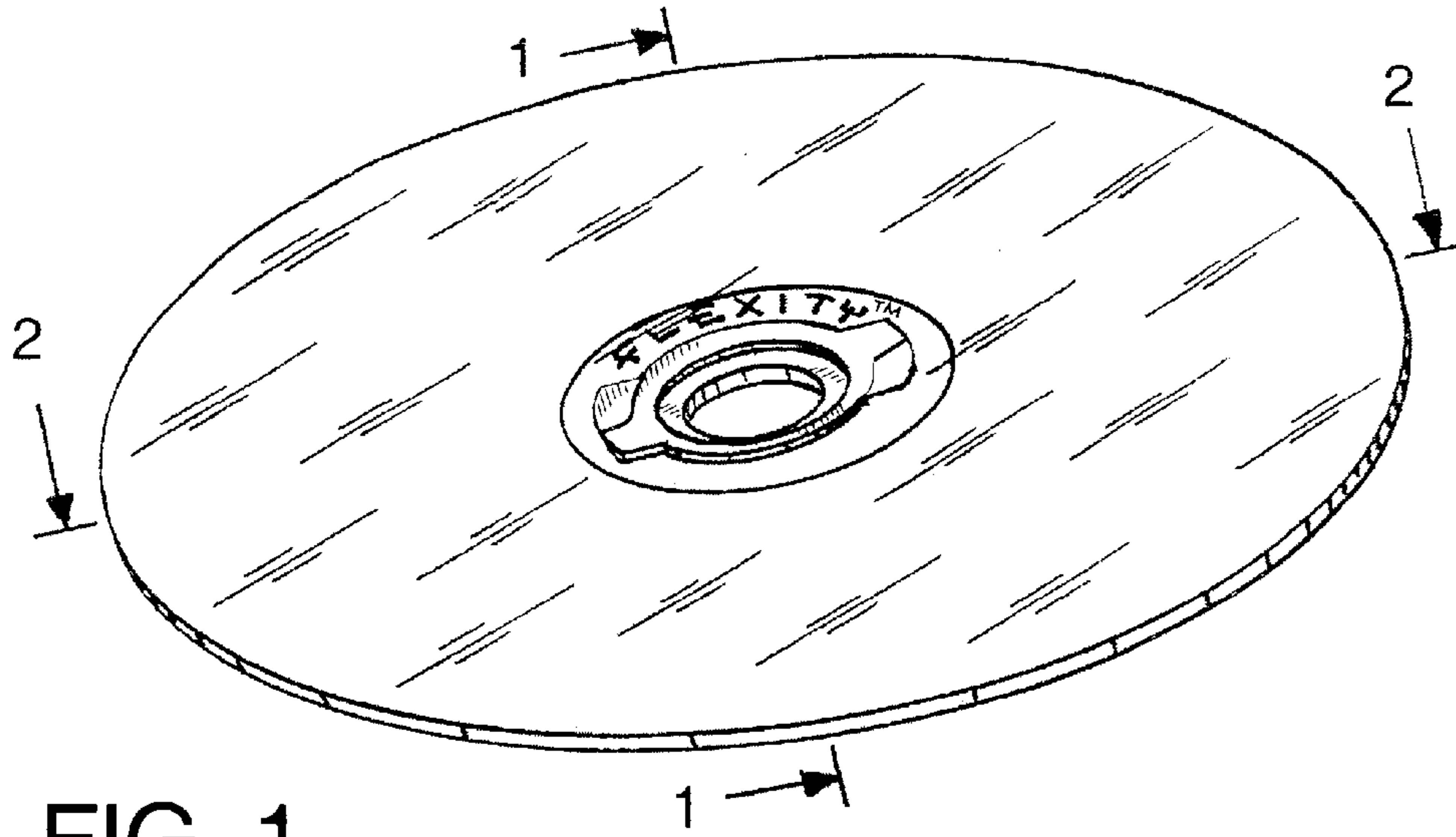


FIG. 1



FIG. 2

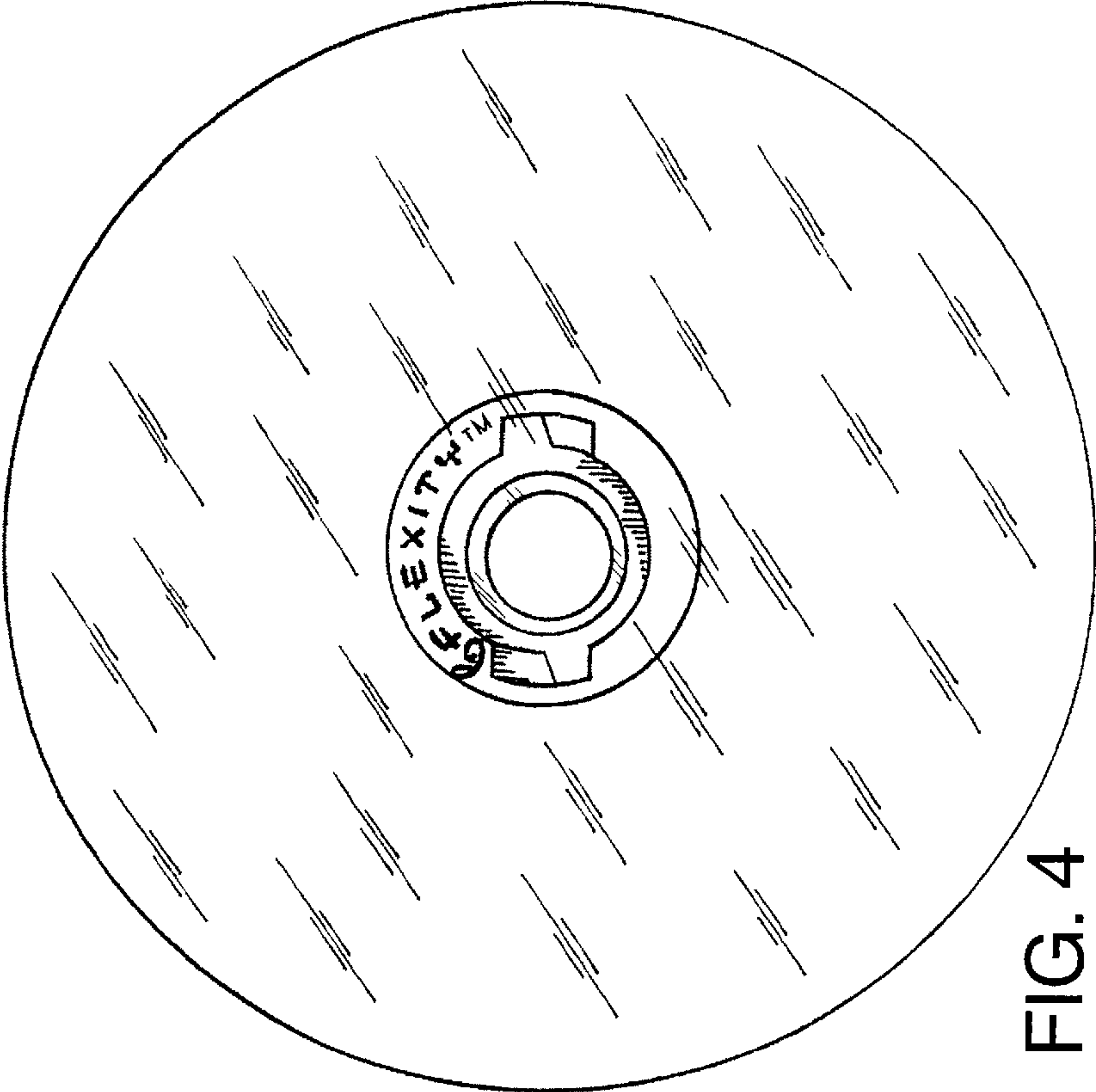


FIG. 4

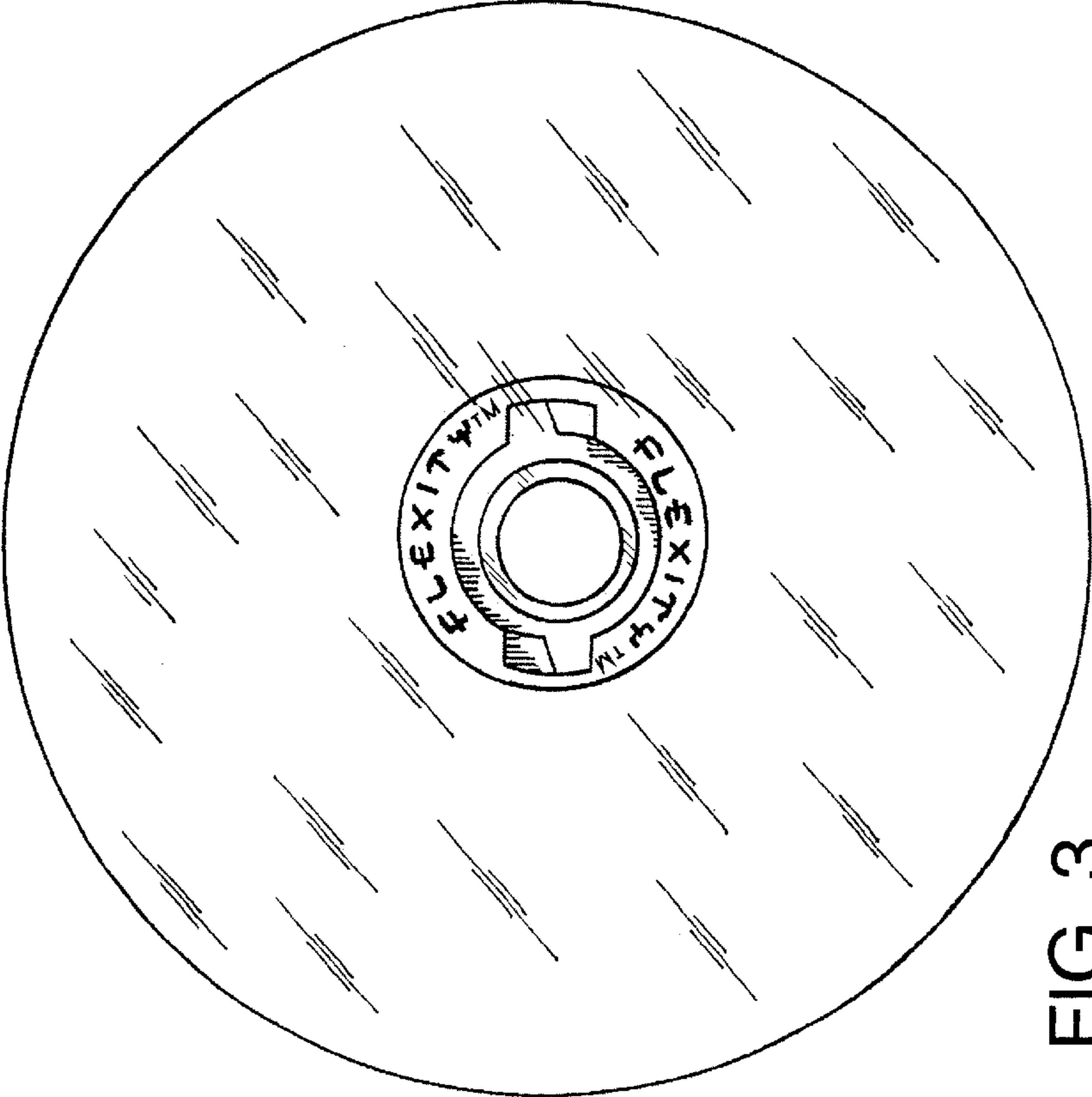


FIG. 3

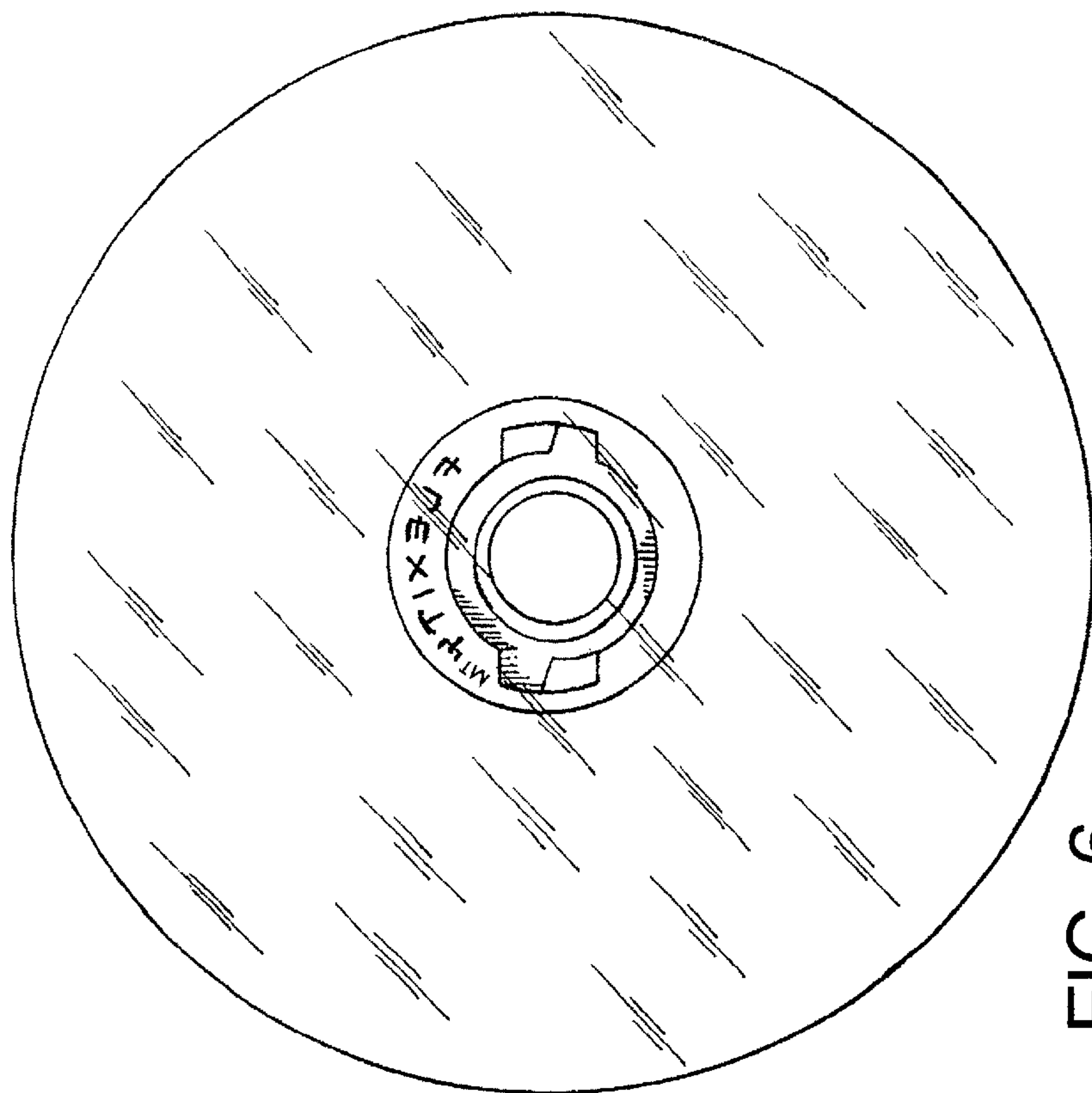


FIG. 6



FIG. 5



FIG. 7

FIG. 8