

US00D507000S

(12) **United States Design Patent**  
**Wang**

(10) **Patent No.:** **US D507,000 S**  
(45) **Date of Patent:** **\*\* Jul. 5, 2005**

(54) **COMPUTER HAVING A FRONT BEZEL**

(75) Inventor: **Qiang Wang**, Cypress, TX (US)

(73) Assignee: **Hewlett-Packard Development Company, L.P.**, Houston, TX (US)

(\*\*) Term: **14 Years**

(21) Appl. No.: **29/207,434**

(22) Filed: **Jun. 14, 2004**

(51) **LOC (8) Cl.** ..... **14-02**

(52) **U.S. Cl.** ..... **D14/445**

(58) **Field of Search** ..... D14/441-446;  
D13/162, 184, 199; 312/223.1-223.3; 361/680-686,  
690-696; 369/34.01, 36.01

D447,483 S	*	9/2001	Wu	.....	D14/441
D454,881 S		3/2002	Daniels et al.		
D455,153 S		4/2002	Gant et al.		
D455,154 S		4/2002	Daniels et al.		
D455,753 S		4/2002	Daniels et al.		
D455,754 S		4/2002	Gant et al.		
D460,457 S	*	7/2002	Caughlan et al.	.....	D14/445
D461,816 S	*	8/2002	Caughlan et al.	.....	D14/445
D464,056 S	*	10/2002	Skandalis	.....	D14/444
D481,394 S		10/2003	Kuehn et al.		
D485,278 S		1/2004	Wang et al.		

\* cited by examiner

*Primary Examiner*—Freda S. Nunn

(57) **CLAIM**

The ornamental design for a computer having a front bezel, as shown and described.

(56) **References Cited**

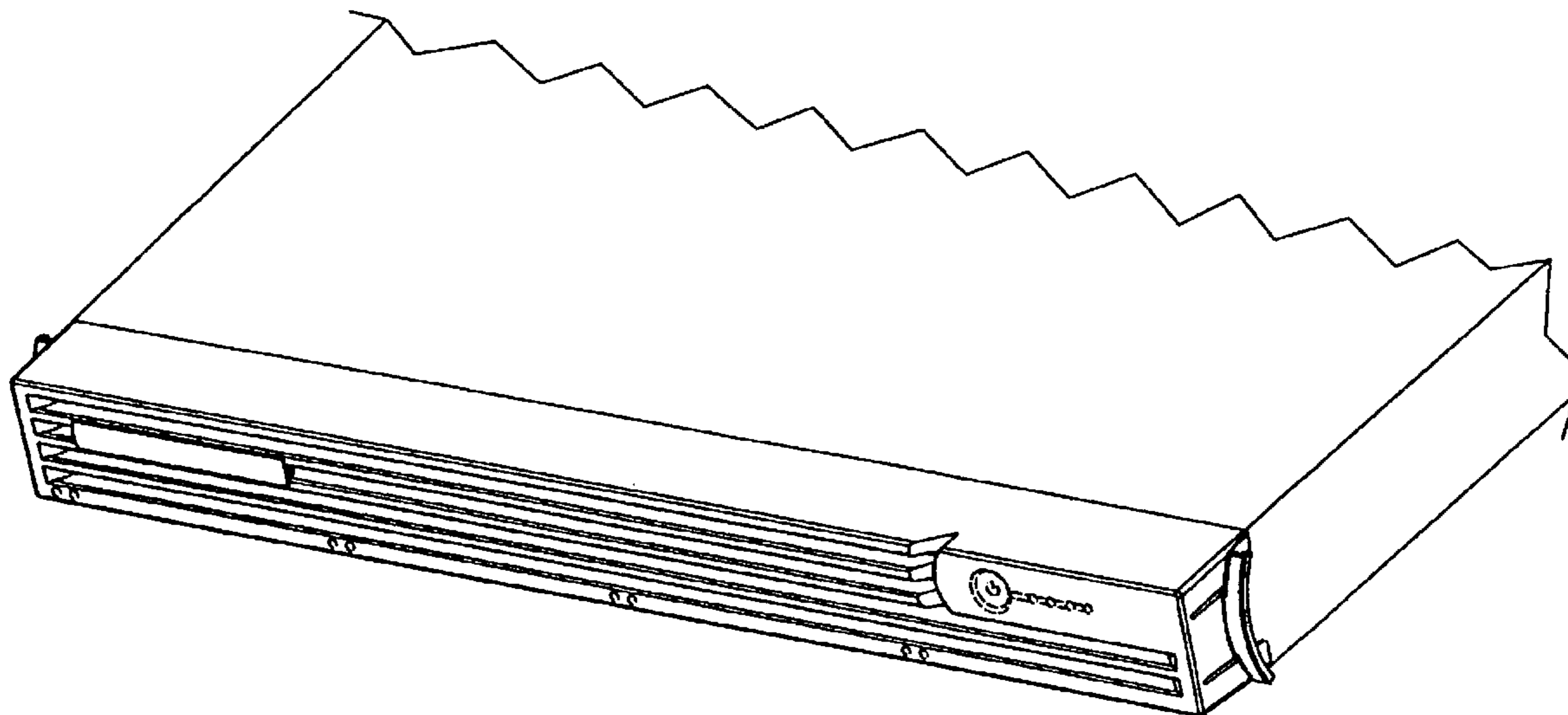
**U.S. PATENT DOCUMENTS**

D308,671 S	*	6/1990	Aderman et al.	.....	D14/445
D348,051 S		6/1994	Noble		
D401,569 S		11/1998	Massaro		
D409,592 S		5/1999	Prestigomo		
D409,593 S		5/1999	Prestigomo		

**DESCRIPTION**

FIG. 1 is a partial perspective view of a computer having a front bezel wherein the broken lines illustrate environmental features only and form no part of the claimed design; and, FIG. 2 is a front elevational view thereof.

**1 Claim, 2 Drawing Sheets**



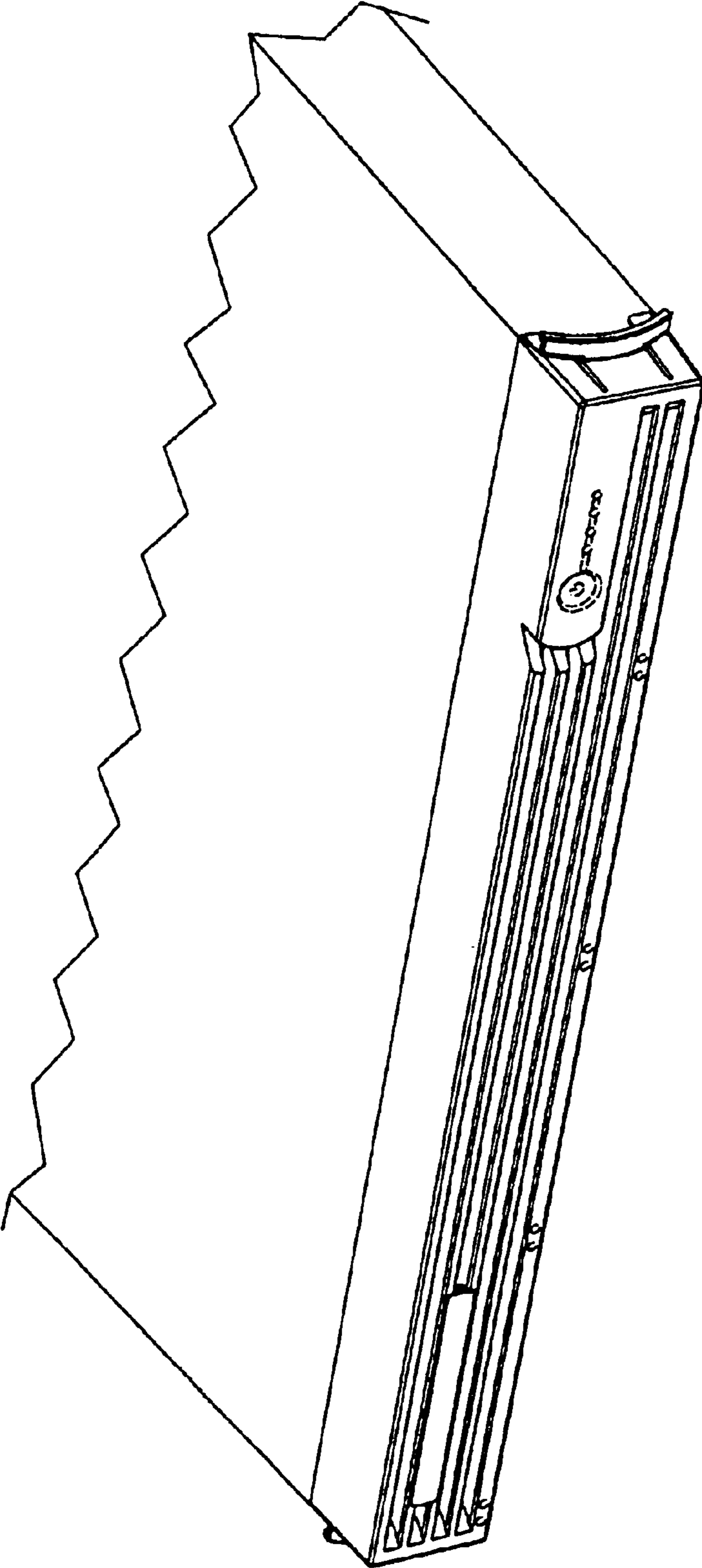


FIG. 1

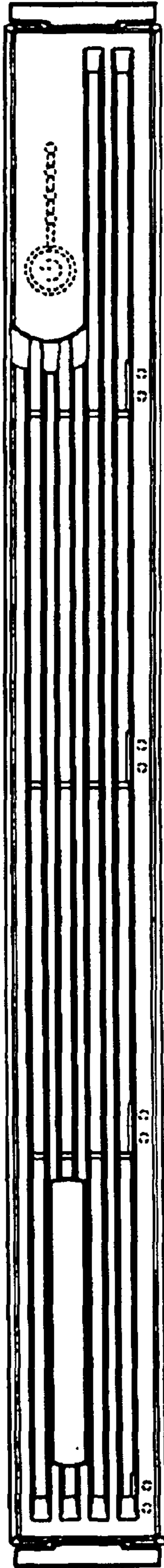


FIG. 2