

US00D506998S

(12) **United States Design Patent** (10) **Patent No.:** **US D506,998 S**  
**Liu et al.** (45) **Date of Patent:** **\*\* Jul. 5, 2005**

(54) **CORELESS INDUCTOR MAGNETIC STRIPE  
SIMULACRUM FOR RIGHT ANGLE  
TRANSACTION ACCEPTANCE SYSTEMS**

(75) Inventors: **Li Liu**, San Jose, CA (US); **Theodore  
J. Colburn**, Santa Clara, CA (US); **Xu  
Zhang**, Cupertino, CA (US)

(73) Assignee: **VIVOftech, Inc.**, Santa Clara, CA (US)

(\*\*) Term: **14 Years**

(21) Appl. No.: **29/176,983**

(22) Filed: **Feb. 28, 2003**

(51) **LOC (8) Cl.** ..... **14-02**

(52) **U.S. Cl.** ..... **D14/385**

(58) **Field of Search** ..... D14/383–386,  
D14/432, 399, 125; 235/380, 382, 382.5,  
483; 250/569, 566

(56) **References Cited**

**U.S. PATENT DOCUMENTS**

4,575,621 A	3/1986	Dreifus	
4,701,601 A	10/1987	Francini et al.	
4,758,714 A	7/1988	Carlson et al.	
4,788,420 A	* 11/1988	Chang et al.	235/483
D306,015 S	* 2/1990	Pulio et al.	D14/386
4,973,828 A	11/1990	Naruse et al.	
5,034,619 A	* 7/1991	Hammond, Jr.	250/569
5,157,247 A	10/1992	Takahira	
5,276,311 A	1/1994	Hennige	
5,345,090 A	* 9/1994	Hludzinski	250/566
5,530,232 A	6/1996	Taylor	
D371,777 S	* 7/1996	Wolf et al.	D14/399
5,590,038 A	12/1996	Pitroda	
5,594,233 A	1/1997	Kenneth et al.	
5,679,945 A	10/1997	Renner et al.	
D398,919 S	* 9/1998	Yen	D14/125
5,850,077 A	12/1998	Tognazzini	
5,859,419 A	1/1999	Wynn	
5,955,961 A	9/1999	Wallerstein	

5,991,410 A	11/1999	Albert et al.	
6,131,811 A	10/2000	Gangi	
D436,355 S	* 1/2001	Lum et al.	D14/385
6,175,922 B1	1/2001	Wang	
6,206,293 B1	3/2001	Gutman et al.	
6,293,462 B1	9/2001	Gangi	
D491,186 S	* 6/2004	Arakaki et al.	D14/432

**FOREIGN PATENT DOCUMENTS**

WO	WO 01/37199 A1	5/2001
WO	WO 01/37200 A1	5/2001

**OTHER PUBLICATIONS**

Petri, S., "An Introduction to Smart Cards," *Messaging Magazine*, 1–12 (1999).

\* cited by examiner

*Primary Examiner*—Freda S. Nunn

(74) *Attorney, Agent, or Firm*—Townsend and Townsend and Crew LLP

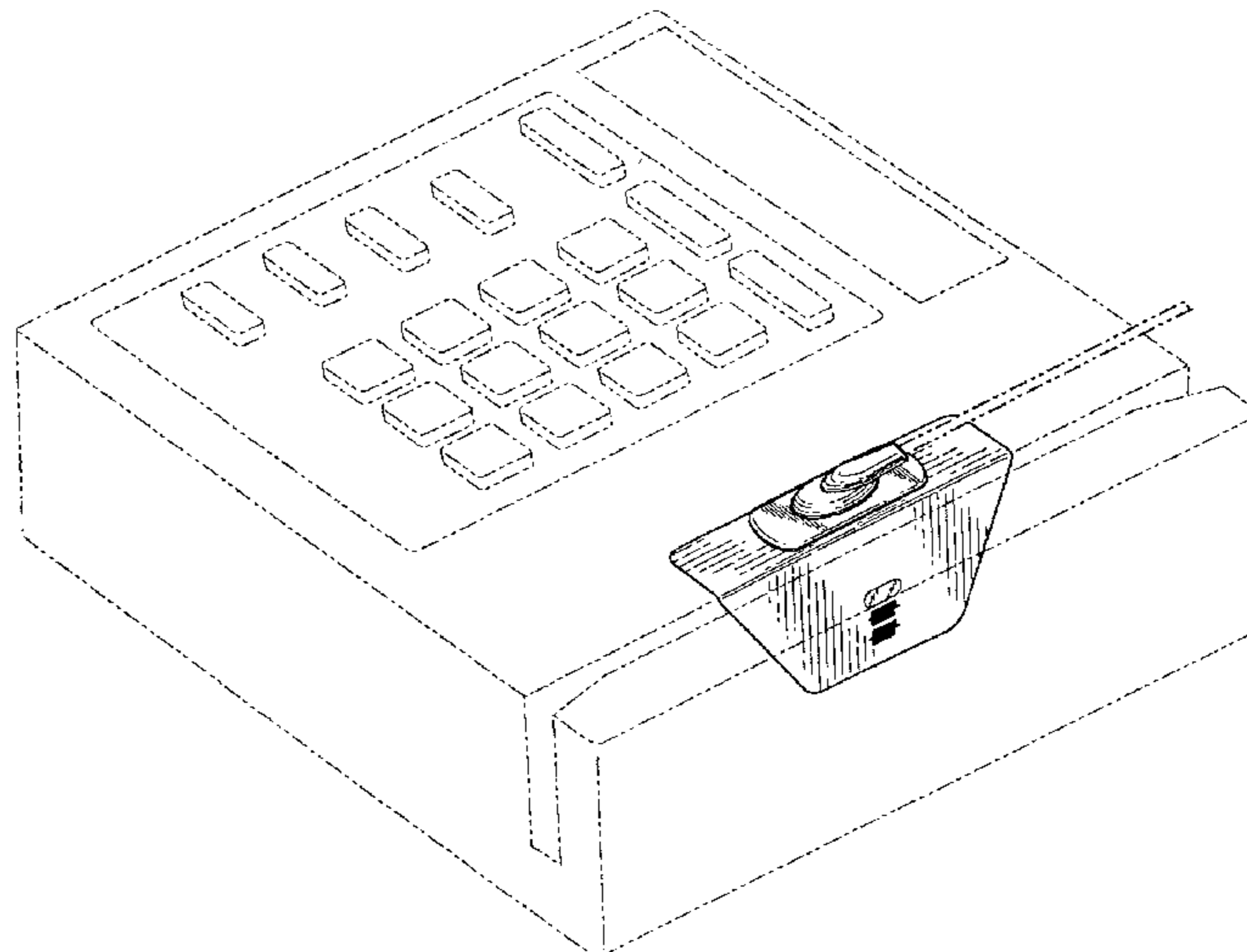
(57) **CLAIM**

The ornamental design for a coreless inductor magnetic stripe simulacrum for right angle transaction acceptance systems, as shown and described.

**DESCRIPTION**

FIG. 1 is a perspective view of a first side of a coreless inductor magnetic stripe simulacrum for right angle transaction acceptance systems showing my new design; FIG. 2 is another side perspective view thereof; FIG. 3 is a right side elevational view thereof; FIG. 4 is a left side elevational view thereof; FIG. 5 is a top plan view thereof; FIG. 6 is a bottom plan view thereof; FIG. 7 is a front elevational view thereof; and, FIG. 8 is a rear elevational view thereof. The broken line showing the environment is for illustrative purpose only and forms not part of the claimed design.

**1 Claim, 6 Drawing Sheets**



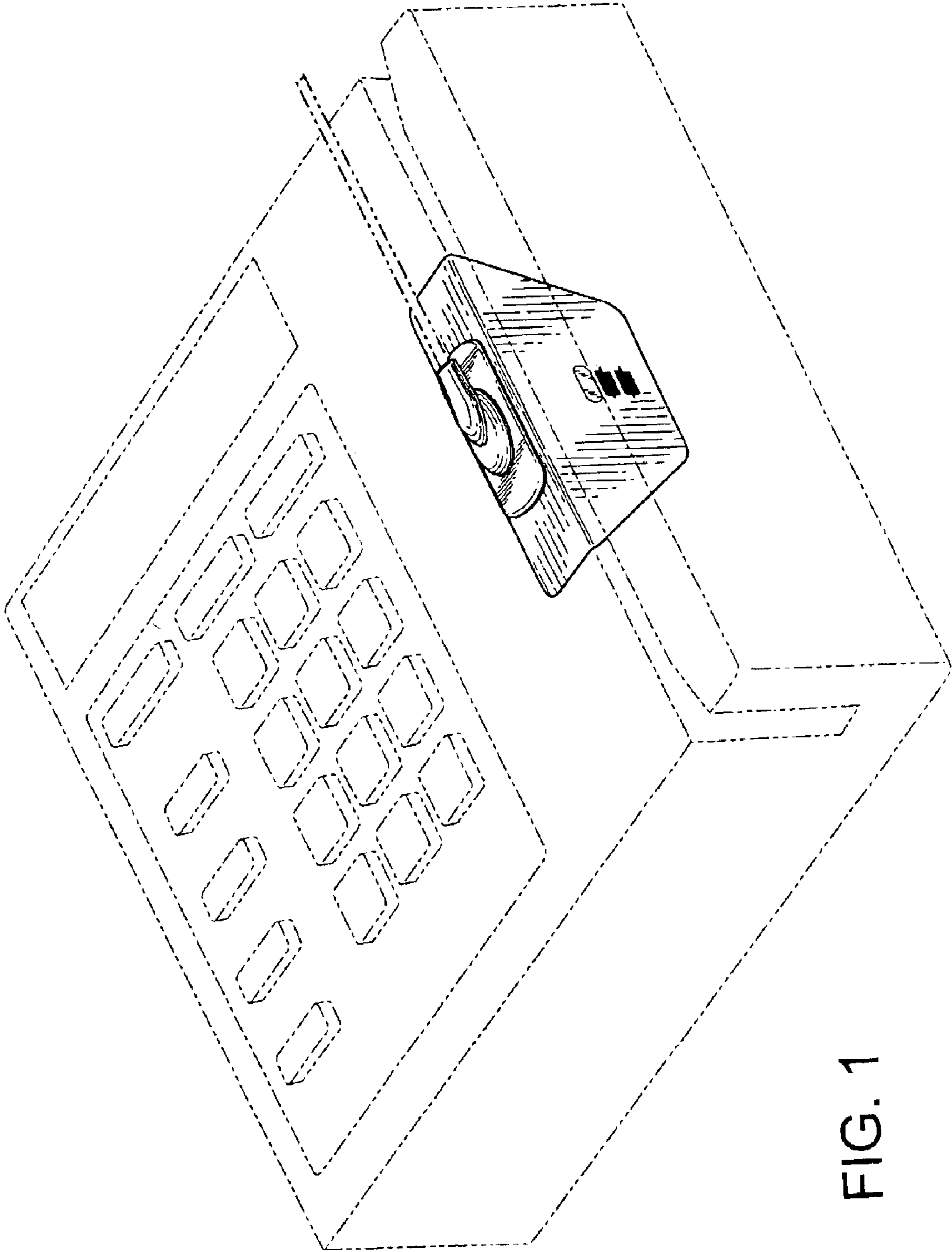


FIG. 1

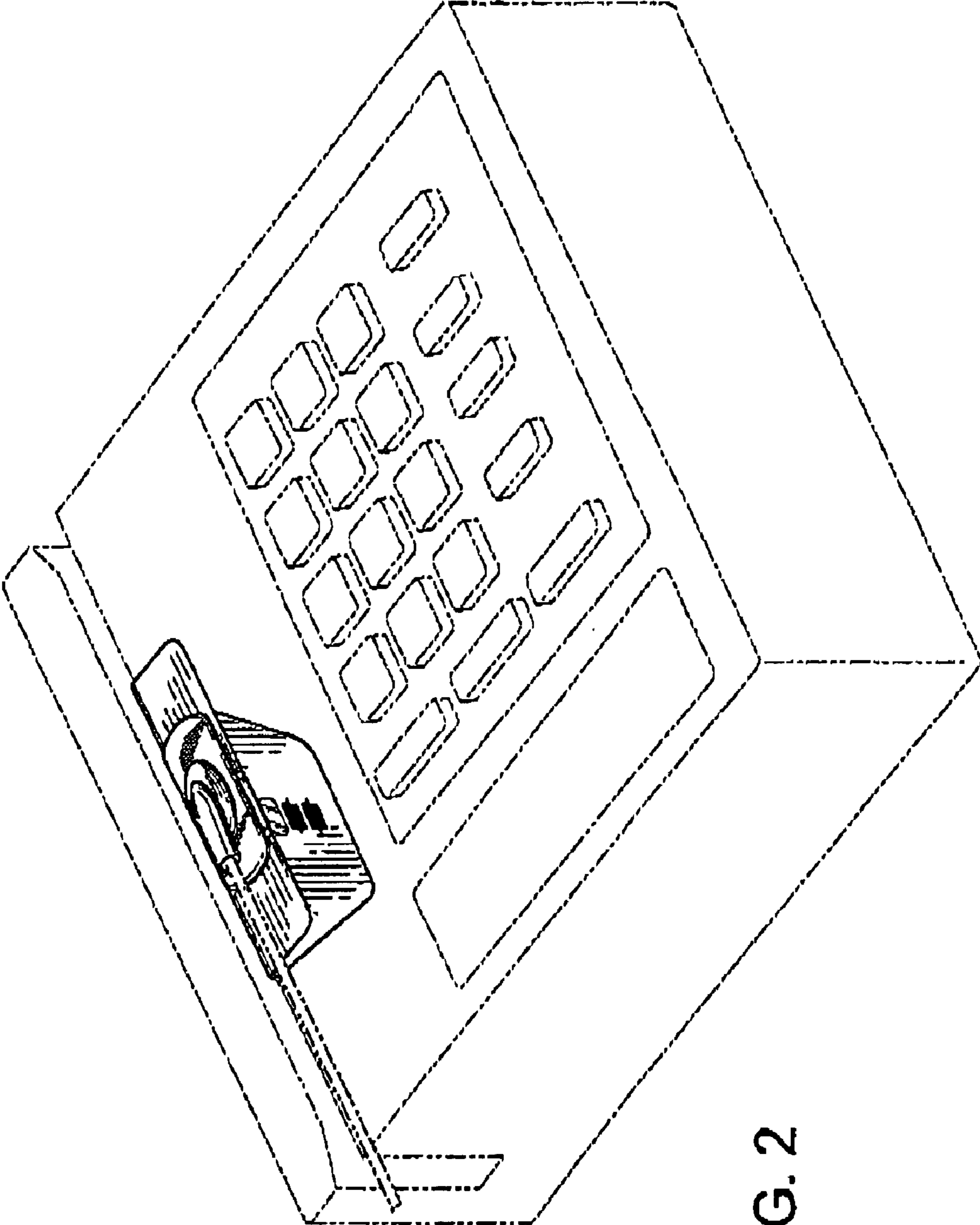


FIG. 2

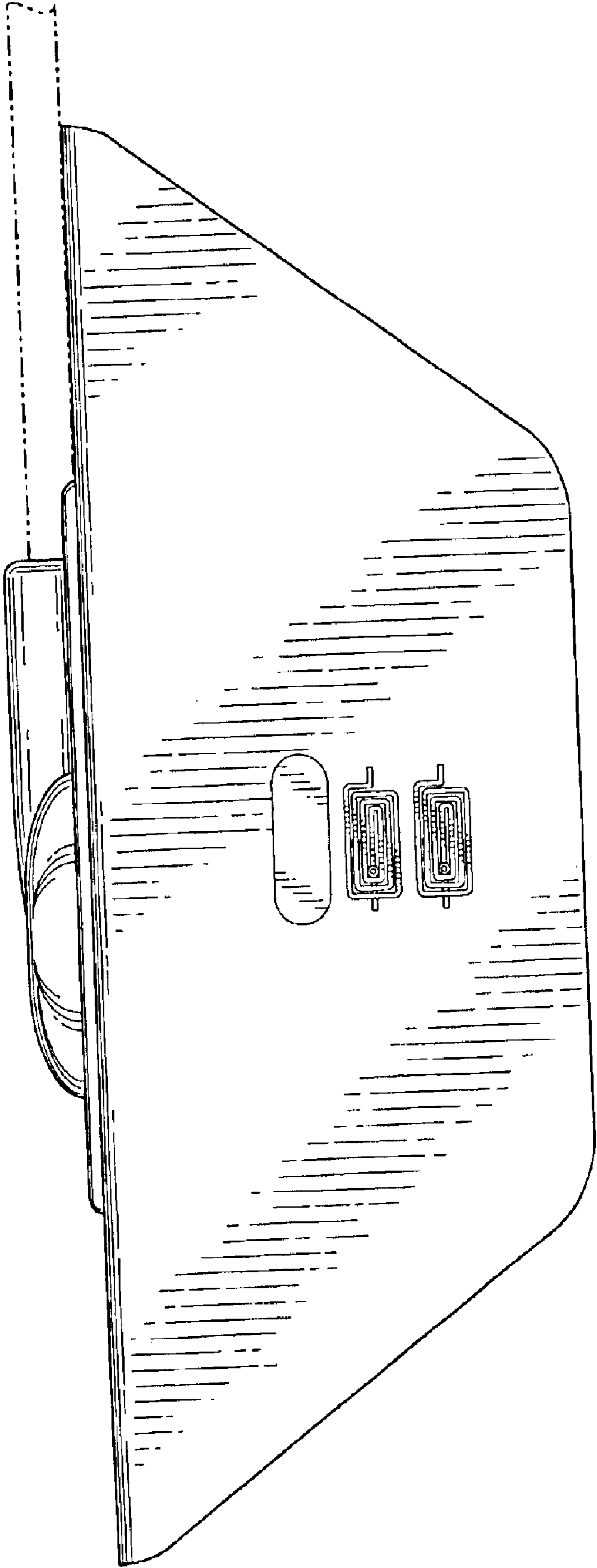


FIG. 3

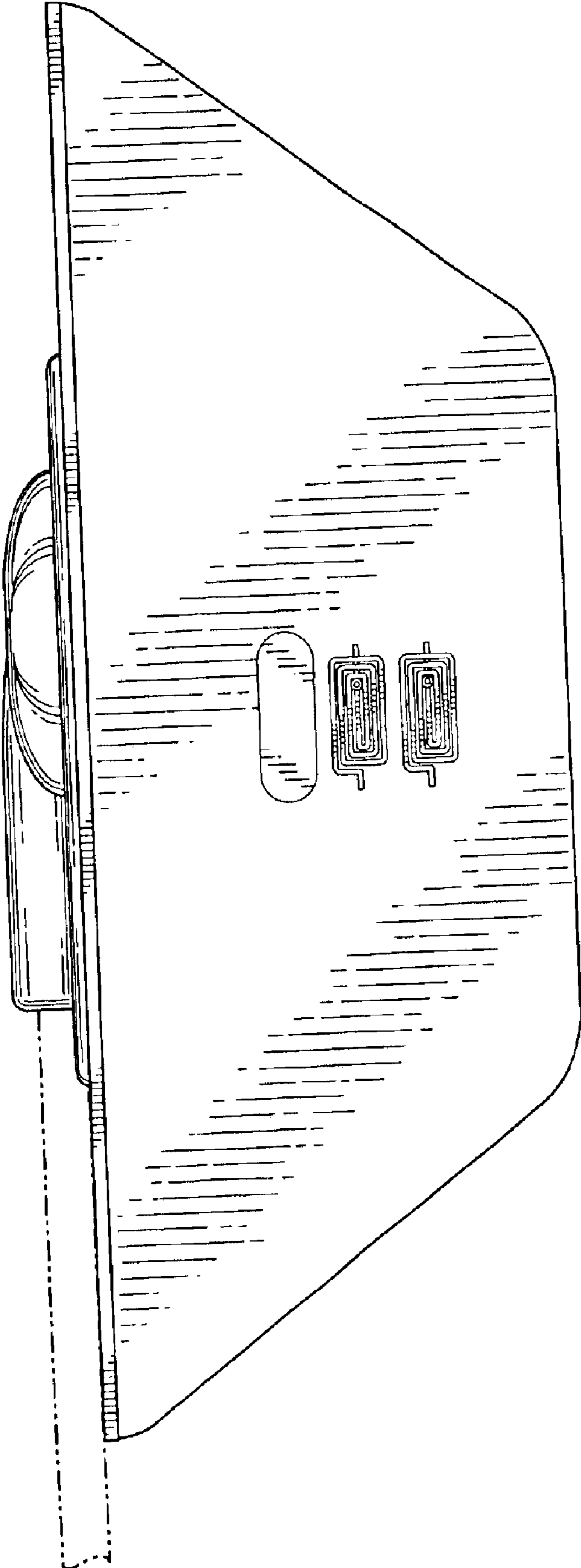


FIG. 4

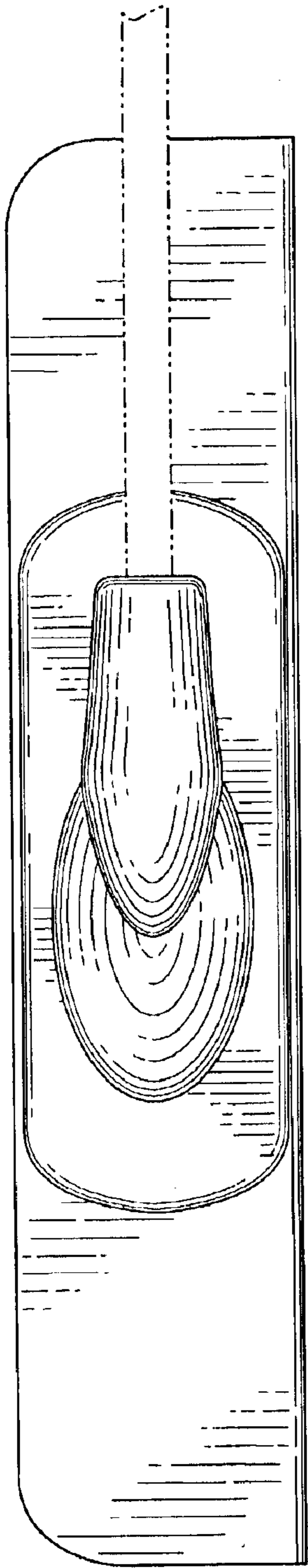


FIG. 5

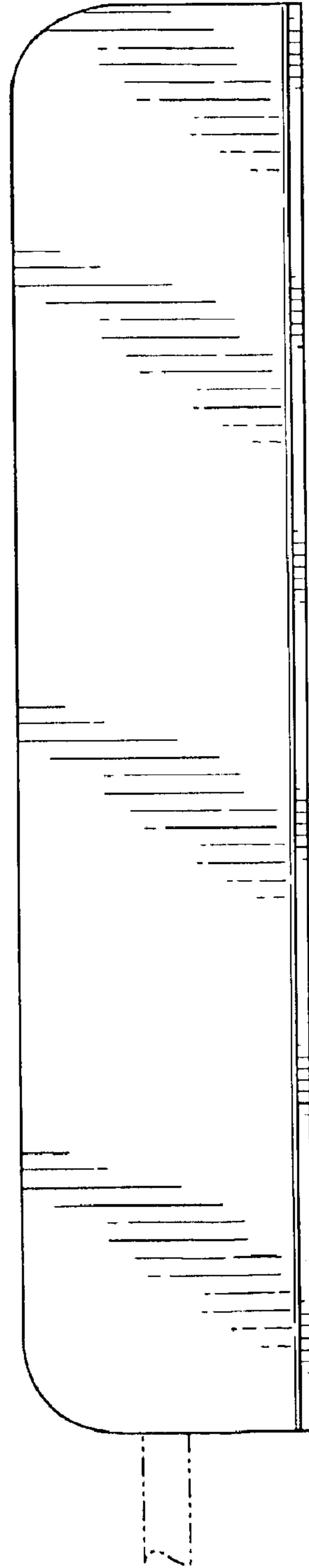


FIG. 6

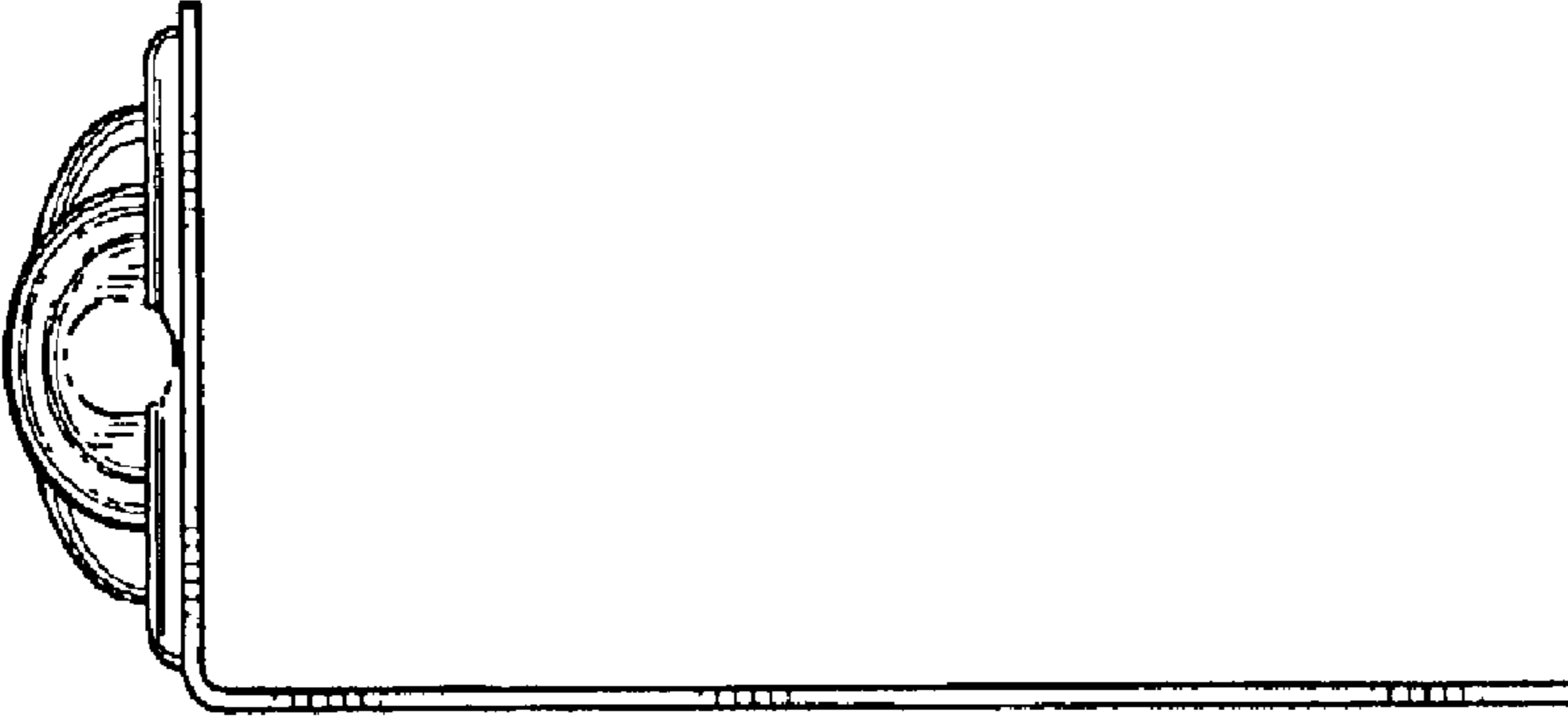


FIG. 8

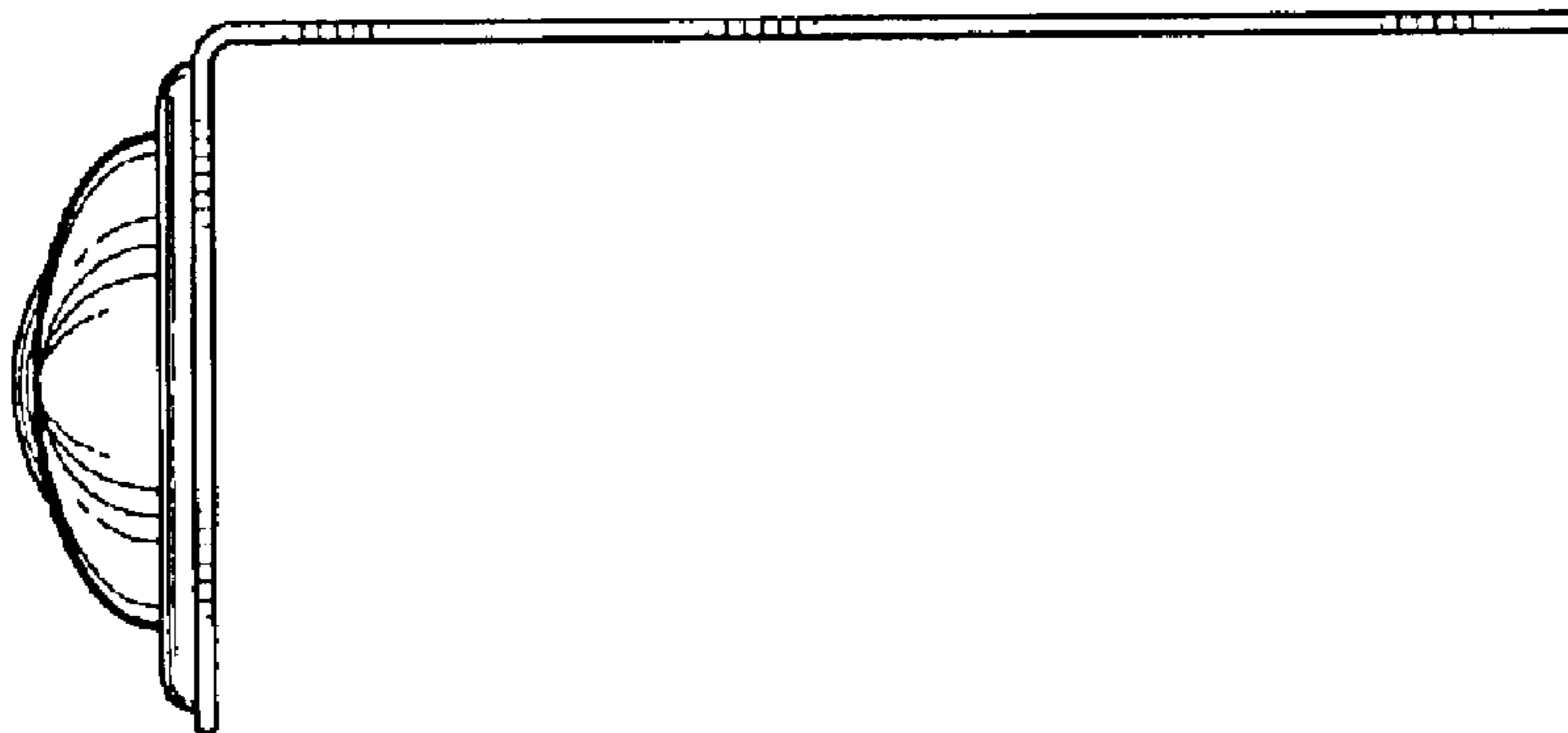


FIG. 7