

US00D506995S

(12) **United States Design Patent**
Wilson

(10) **Patent No.:** **US D506,995 S**
(45) **Date of Patent:** **** Jul. 5, 2005**

(54) **ANTENNA WHIP WITH DUAL ROD SETS**

D457,518 S * 5/2002 Wilson D14/233
D462,070 S * 8/2002 Wilson D14/233
D468,731 S * 1/2003 Wilson D14/234

(75) **Inventor:** **James W. Wilson**, Saint George, UT
(US)

* cited by examiner

(73) **Assignee:** **Wilson Electronics, Inc.**, Saint George,
UT (US)

Primary Examiner—Louis S. Zarfaz
Assistant Examiner—John Windmuller
(74) *Attorney, Agent, or Firm*—Leon D. Rosen

(**) **Term:** **14 Years**

(57) **CLAIM**

(21) **Appl. No.:** **29/202,407**

The ornamental design for antenna whip with dual rod sets,
as shown and described.

(22) **Filed:** **Mar. 30, 2004**

(51) **LOC (8) Cl.** **14-03**

DESCRIPTION

(52) **U.S. Cl.** **D14/230; D14/233**

FIG. 1 is a front elevation view of an antenna whip with dual
rod sets, showing my design, the drawing also showing in
phantom lines, a top which is commonly used with the
antenna with dual rod sets but which does not constitute part
of the design.

(58) **Field of Search** D14/137, 138,

D14/230–238, 299, 358; D12/42, 43; 343/700 R–705,
871–908, 795, 840, 711–713, 819, 846;
455/90.2, 90.3, 91, 347, 128, 269, 344,
562.1

FIG. 2 is a rear elevation view thereof.

FIG. 3 is a left side elevation view thereof, the right side
elevation view being a mirror image thereof.

(56) **References Cited**

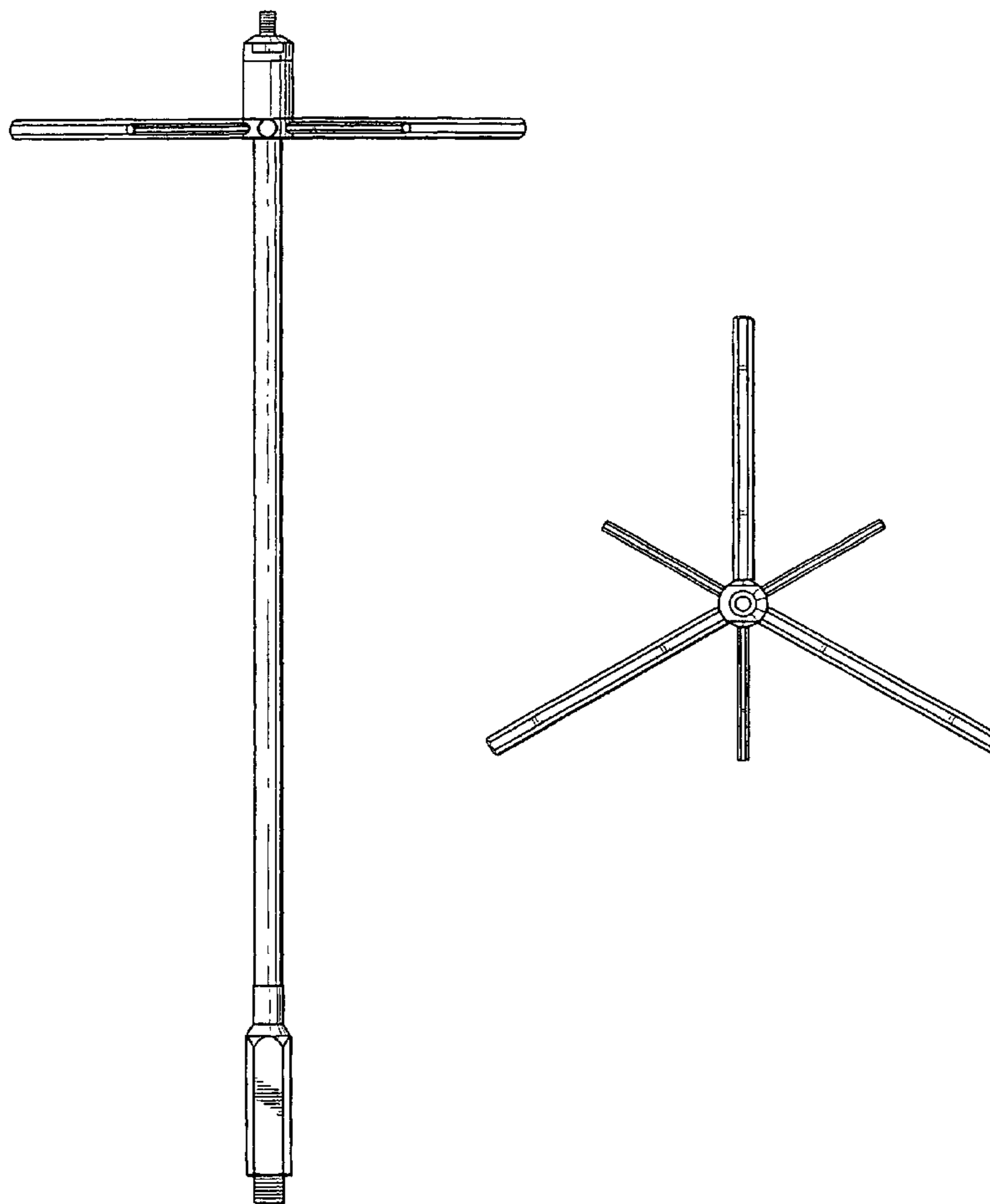
U.S. PATENT DOCUMENTS

3,599,213 A * 8/1971 Fessenden et al. 343/710
D349,707 S * 8/1994 Drake D14/233

FIG. 4 is a top view thereof; and,

FIG. 5 is a bottom view thereof.

1 Claim, 3 Drawing Sheets



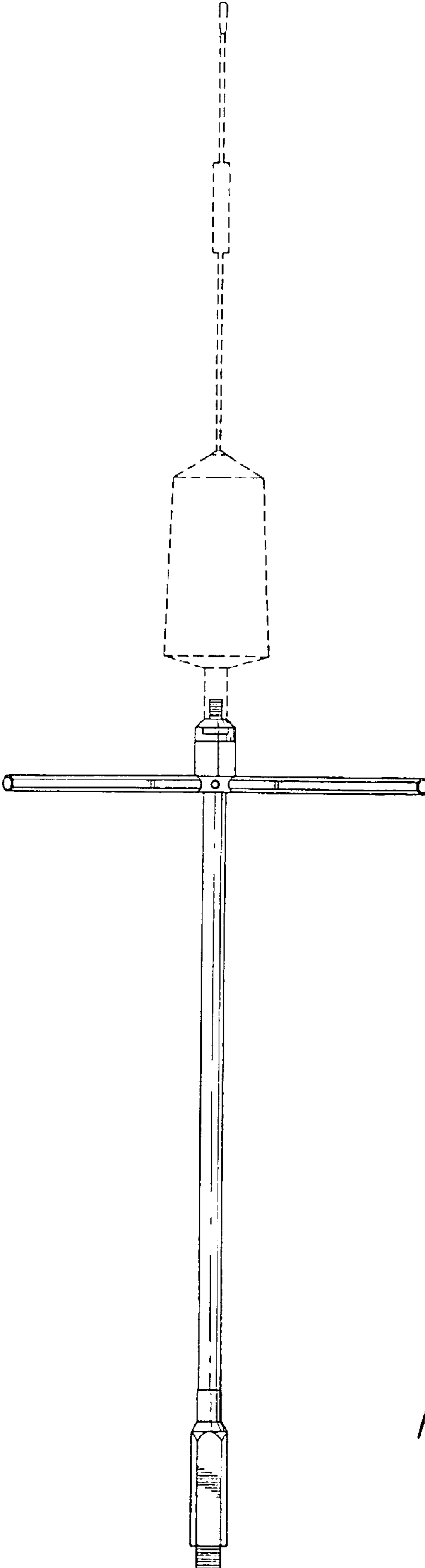


FIG. 1

FIG. 2

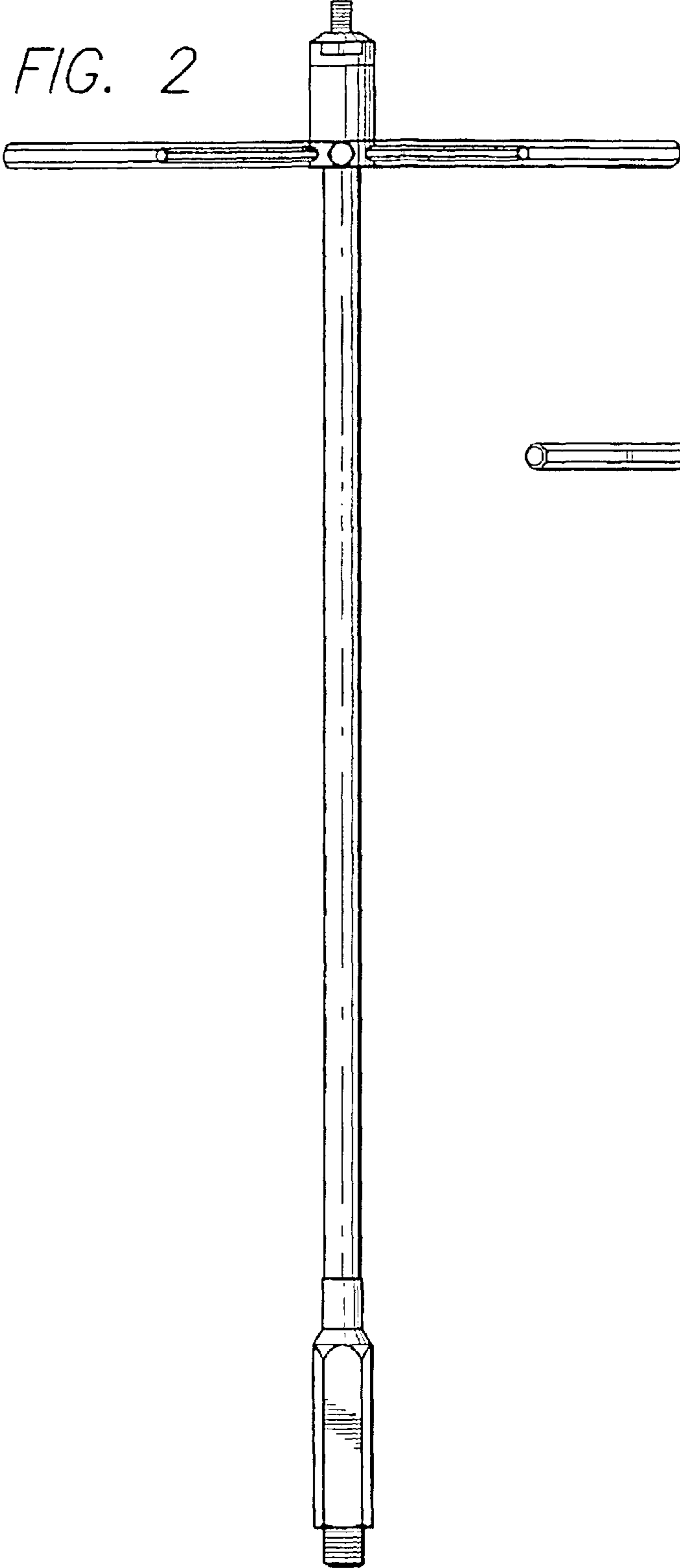


FIG. 3

