



US00D506993S

(12) **United States Design Patent** (10) **Patent No.:** **US D506,993 S**
Suzuki (45) **Date of Patent:** **** Jul. 5, 2005**

(54) **SPEAKER**

(75) Inventor: **Akio Suzuki**, Tokyo (JP)

(73) Assignee: **Sony Corporation**, Tokyo (JP)

(**) Term: **14 Years**

(21) Appl. No.: **29/200,120**

(22) Filed: **Feb. 25, 2004**

(51) **LOC (8) Cl.** **14-01**

(52) **U.S. Cl.** **D14/221**

(58) **Field of Search** D14/204, 207,
D14/209–216, 219–221; 181/143–144,
147–148, 150, 157, 198–199, 151, 153;
381/300–302, 306, 333, 345, 361–364,
386–388, 332, 336

(56) **References Cited**

U.S. PATENT DOCUMENTS

D87,689 S	*	8/1932	Sinel	D14/215
D186,670 S	*	11/1959	Durbin	D14/216
D253,108 S	*	10/1979	Schroeder	D14/216
D292,283 S	*	10/1987	Matsuda et al.	D14/212
D480,070 S		9/2003	Hakoda		

OTHER PUBLICATIONS

Web page “Sony Global Home, XS–V1633” 1 sheet, Sony (Dec. 2003).

Web page “Sony Global Home, XS–HF600G” 1 sheet, Sony (Dec. 2003).

Web page “Sony Global Home, XS–V1632” 1 sheet, Sony (Dec. 2003).

Web page “Sony Global Home, XS–V6943” 1 sheet, Sony (Dec. 2003).

Web page “Sony Global Home, XS–HD690G” 1 sheet, Sony (Dec. 2003).

Web page “Sony Global Home, XS–V6932” 1 sheet, Sony (Dec. 2003).

Web page “SonyDrive, XS–V1635M” 1 sheet, Sony (2003).

Web page “SonyDrive, XS–V6945M” 1 sheet, Sony (2003).

* cited by examiner

Primary Examiner—Nanda Bondade

(74) *Attorney, Agent, or Firm*—Rader, Fishman & Grauer PLLC

(57) **CLAIM**

The ornamental design for a speaker, as shown.

DESCRIPTION

FIG. 1 is a perspective view of a first embodiment of a speaker showing my new design;

FIG. 2 is a front elevational view thereof;

FIG. 3 is a rear elevational view thereof;

FIG. 4 is a left side elevational view thereof;

FIG. 5 is a right side elevational view thereof;

FIG. 6 is a top plan view thereof;

FIG. 7 is a bottom plan view thereof;

FIG. 8 is a perspective view of a second embodiment of a speaker showing my new design;

FIG. 9 is a front elevational view thereof;

FIG. 10 is a rear elevational view thereof;

FIG. 11 is a left side elevational view thereof;

FIG. 12 is a right side elevational view thereof;

FIG. 13 is a top plan view thereof; and,

FIG. 14 is a bottom plan view thereof.

1 Claim, 8 Drawing Sheets

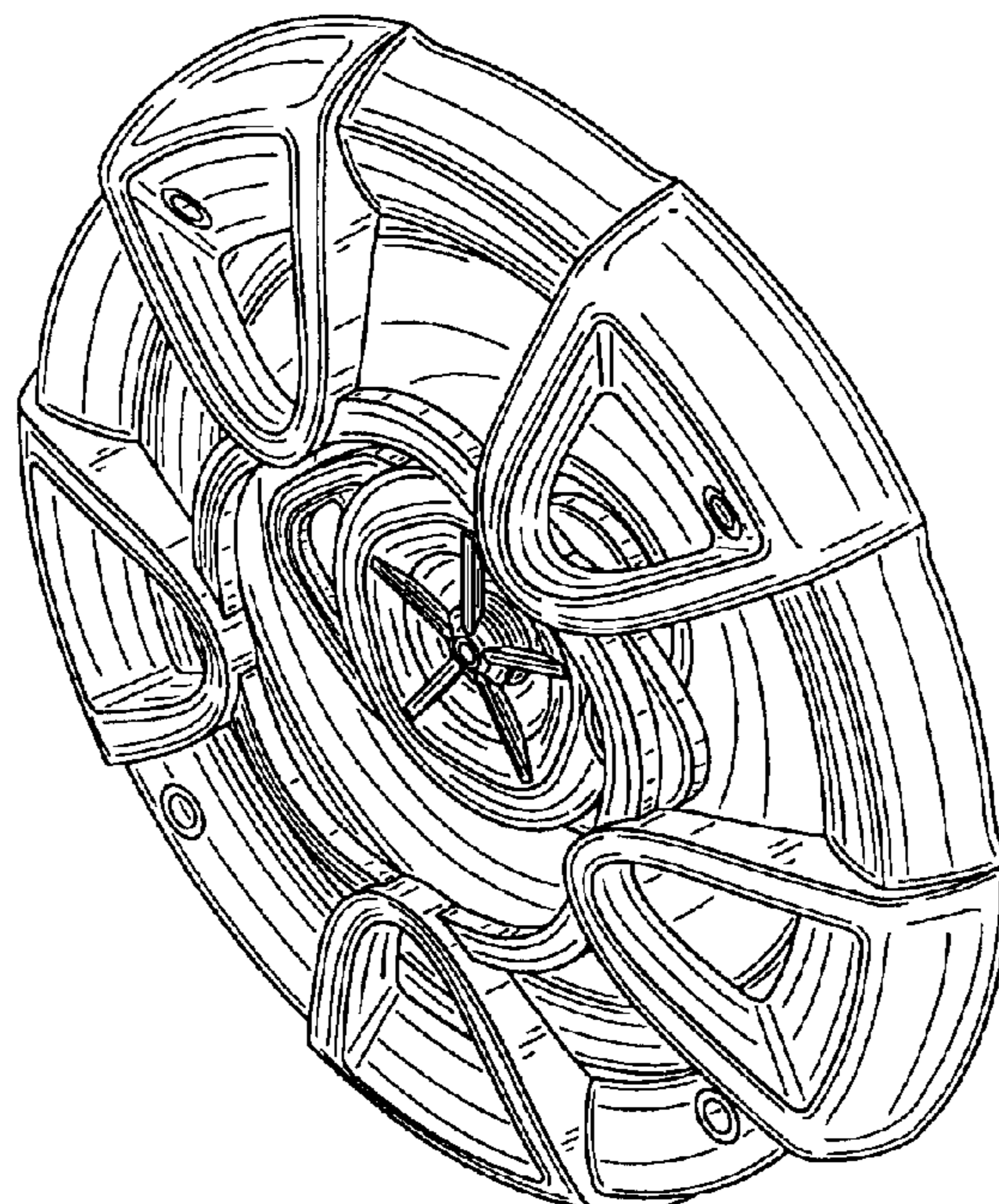


Fig. 1

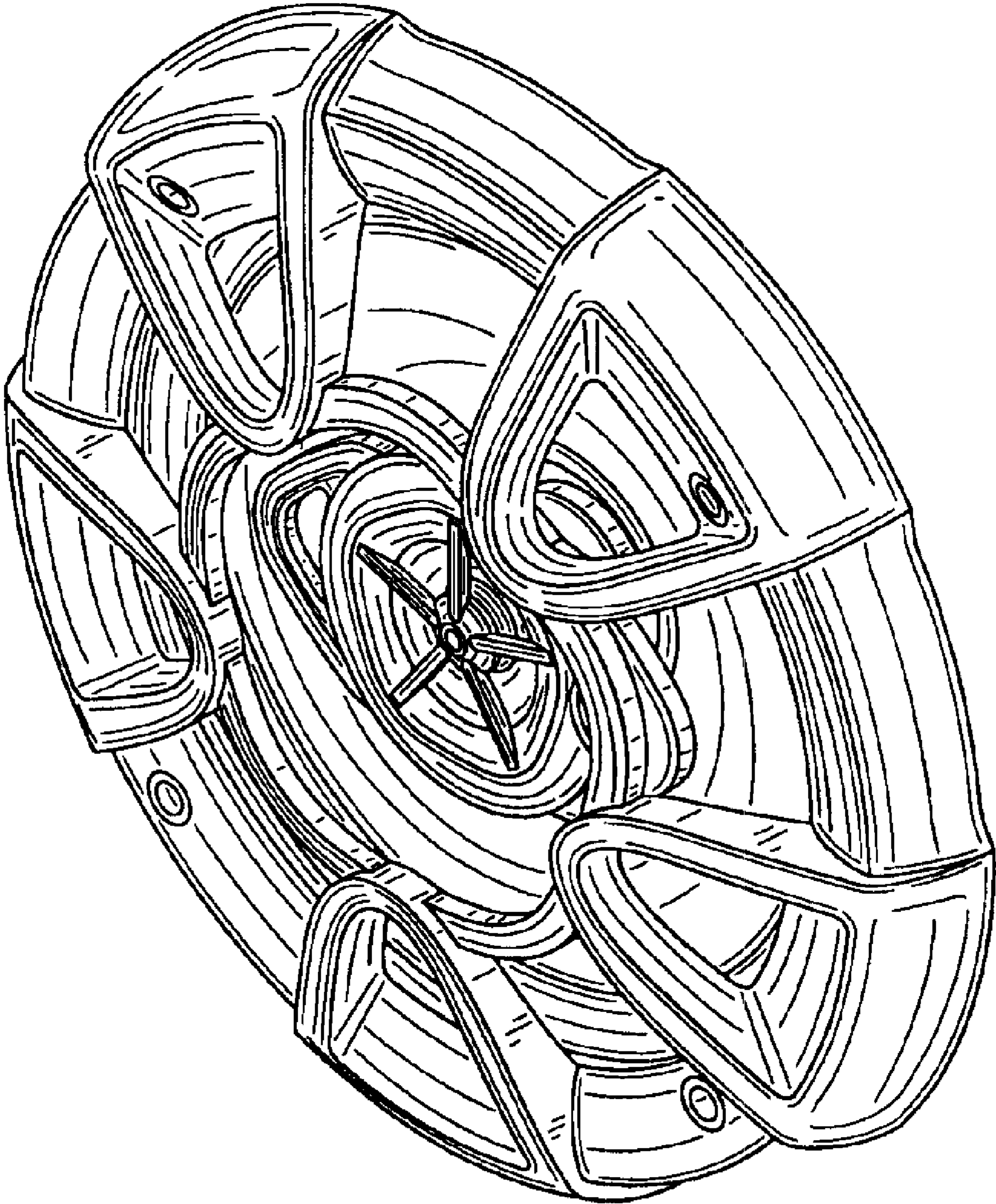


Fig.2

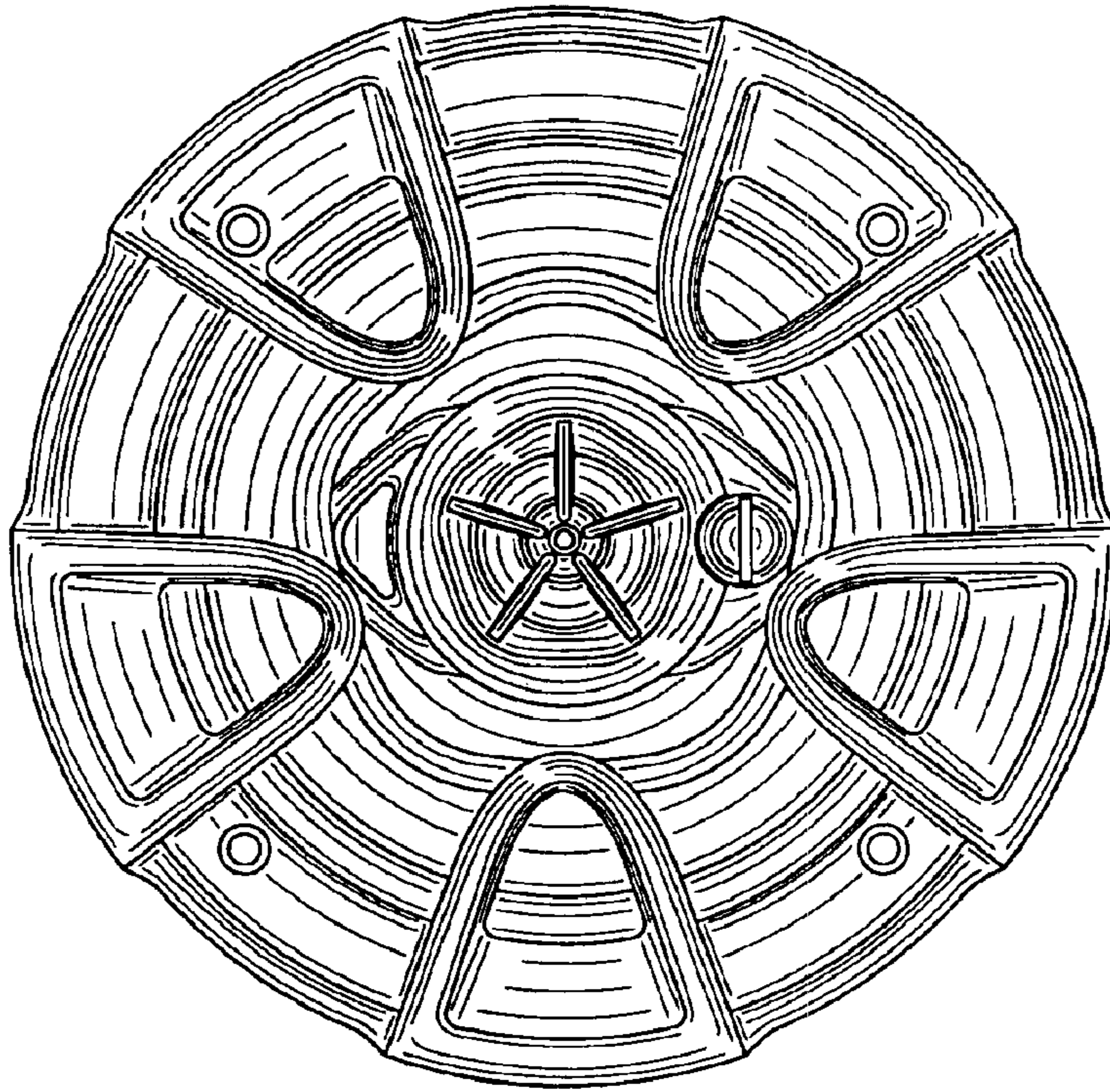


Fig.3

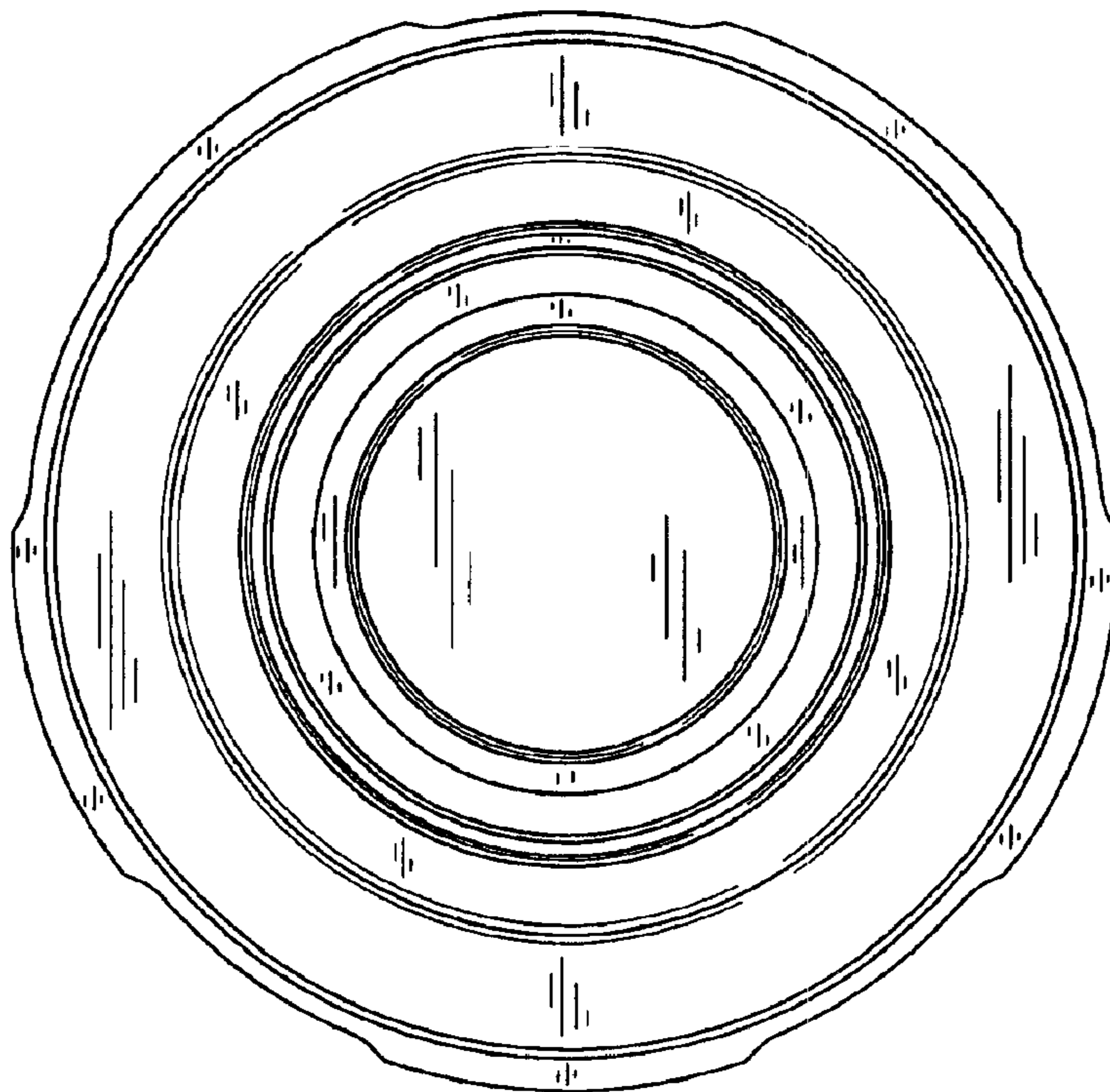


Fig.4

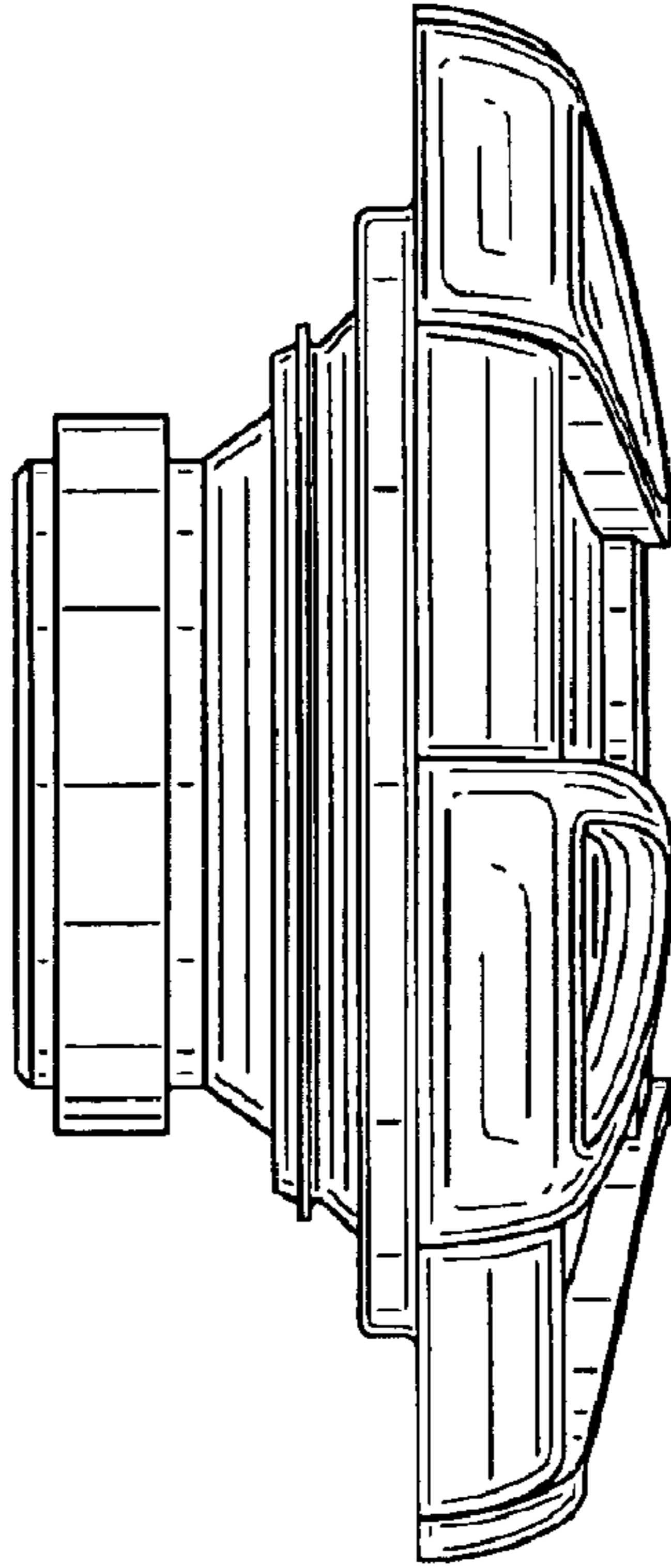


Fig.5

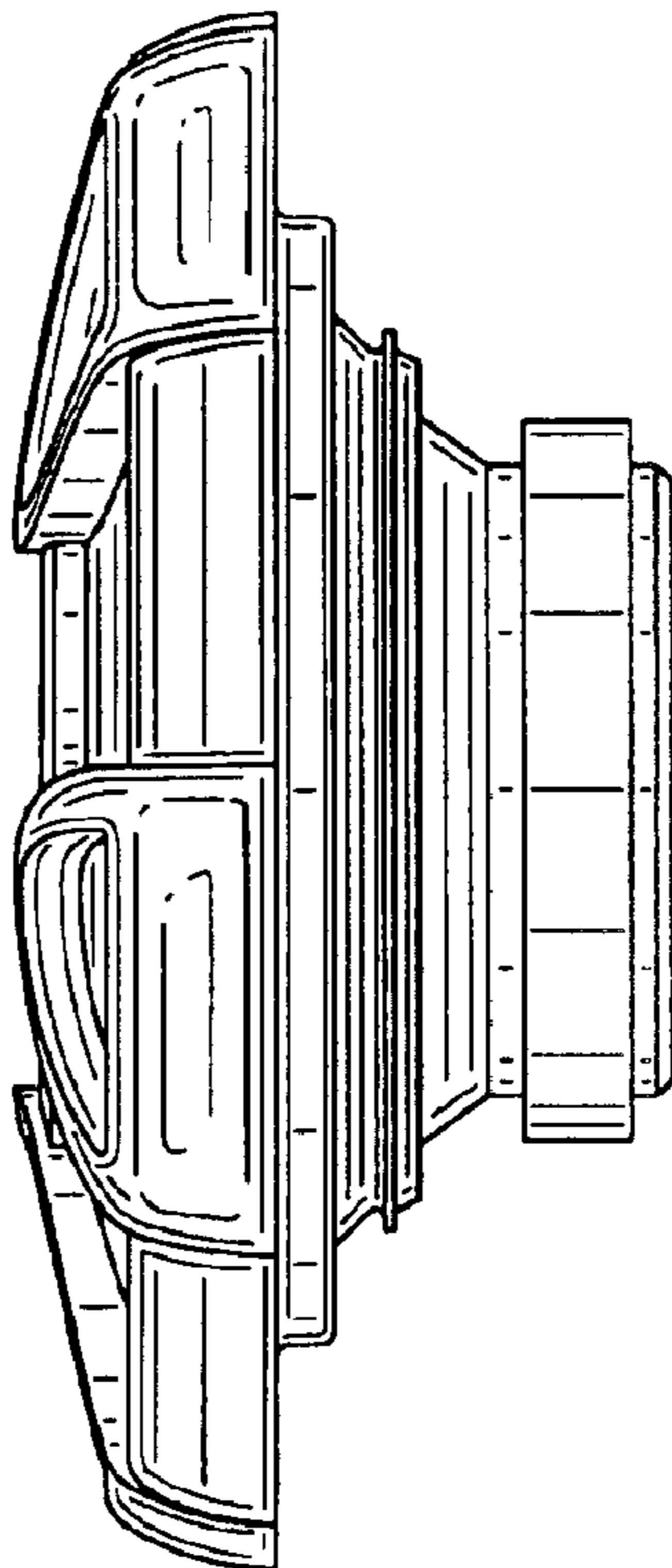


Fig.6

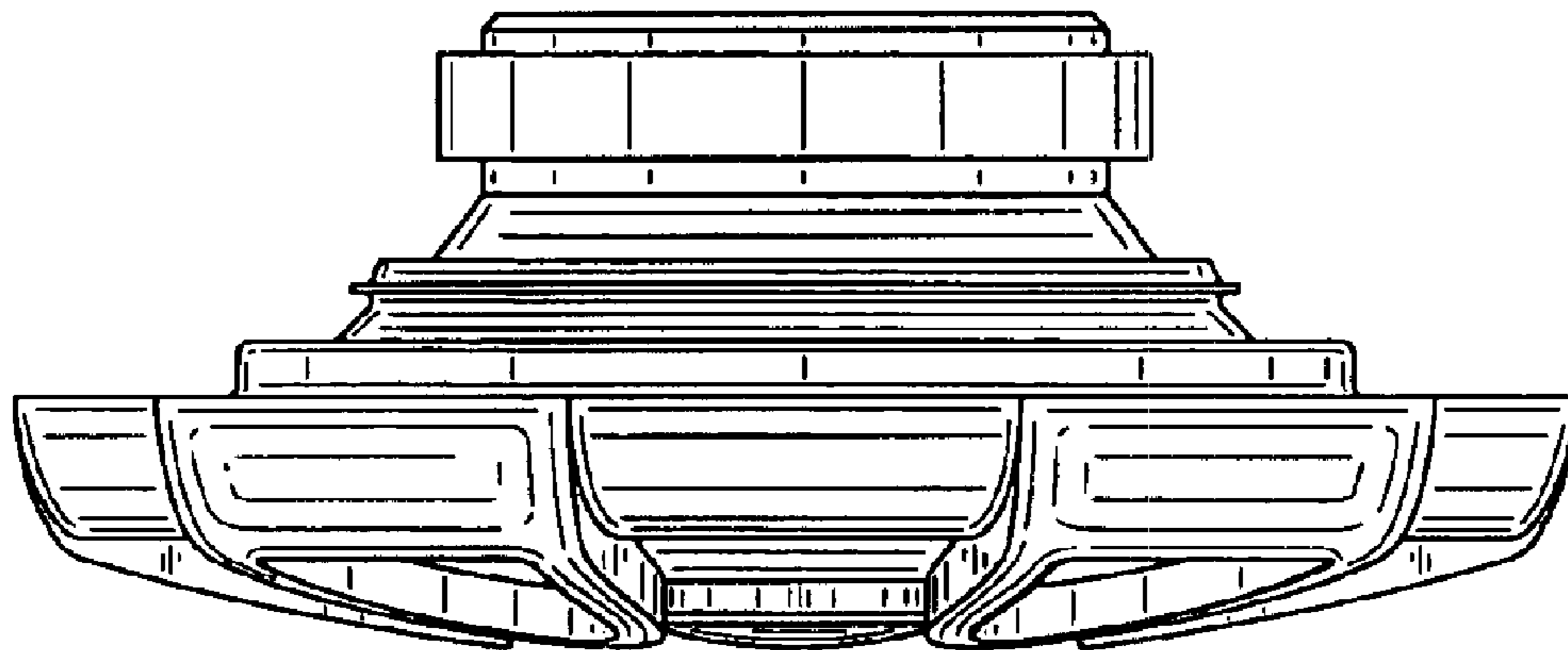


Fig.7

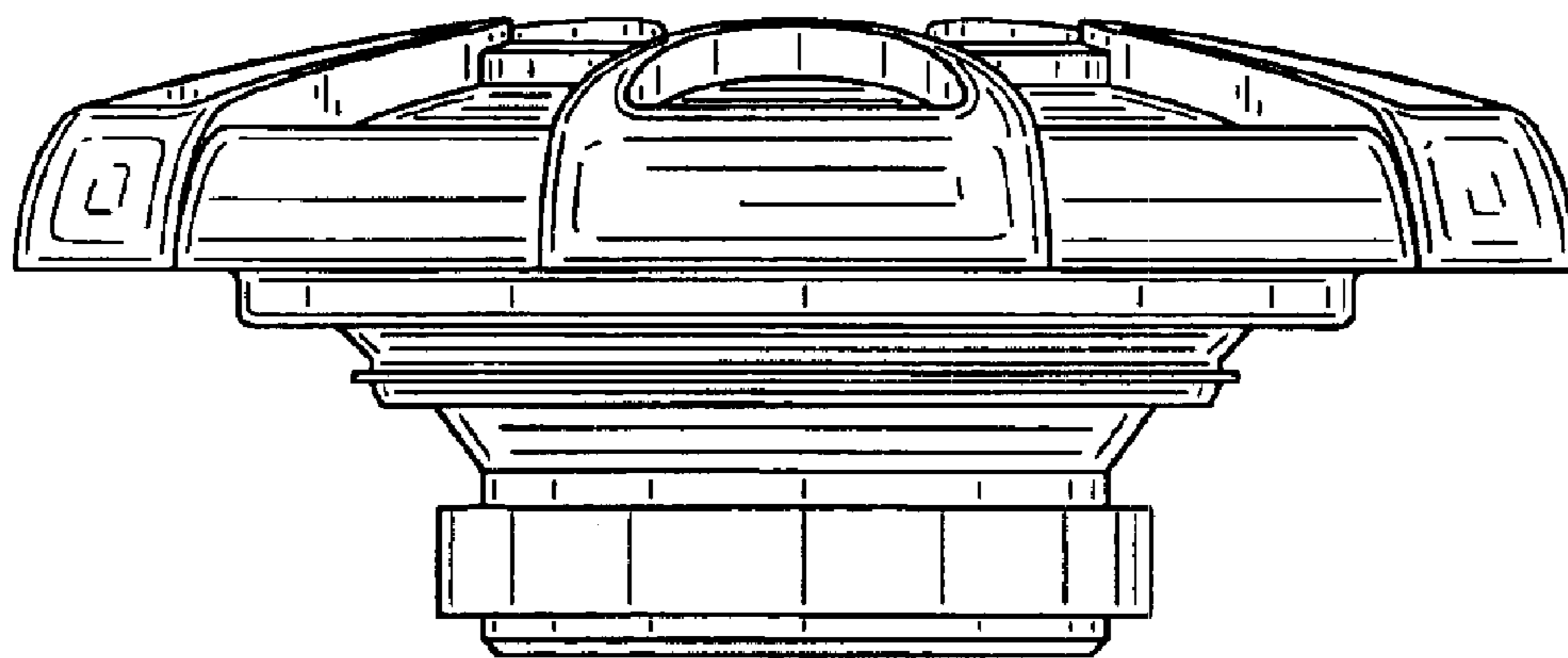


Fig.8

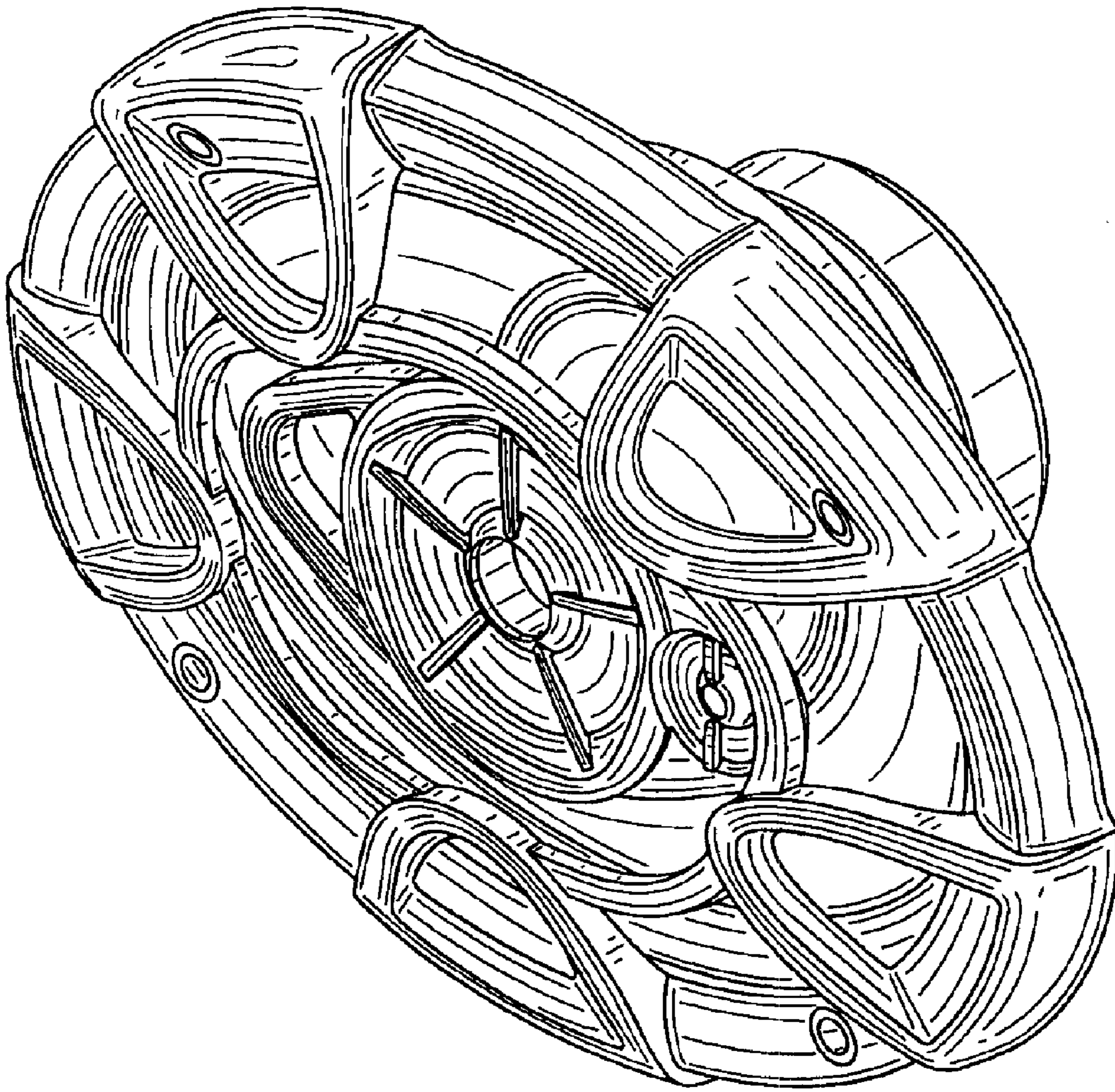


Fig.9

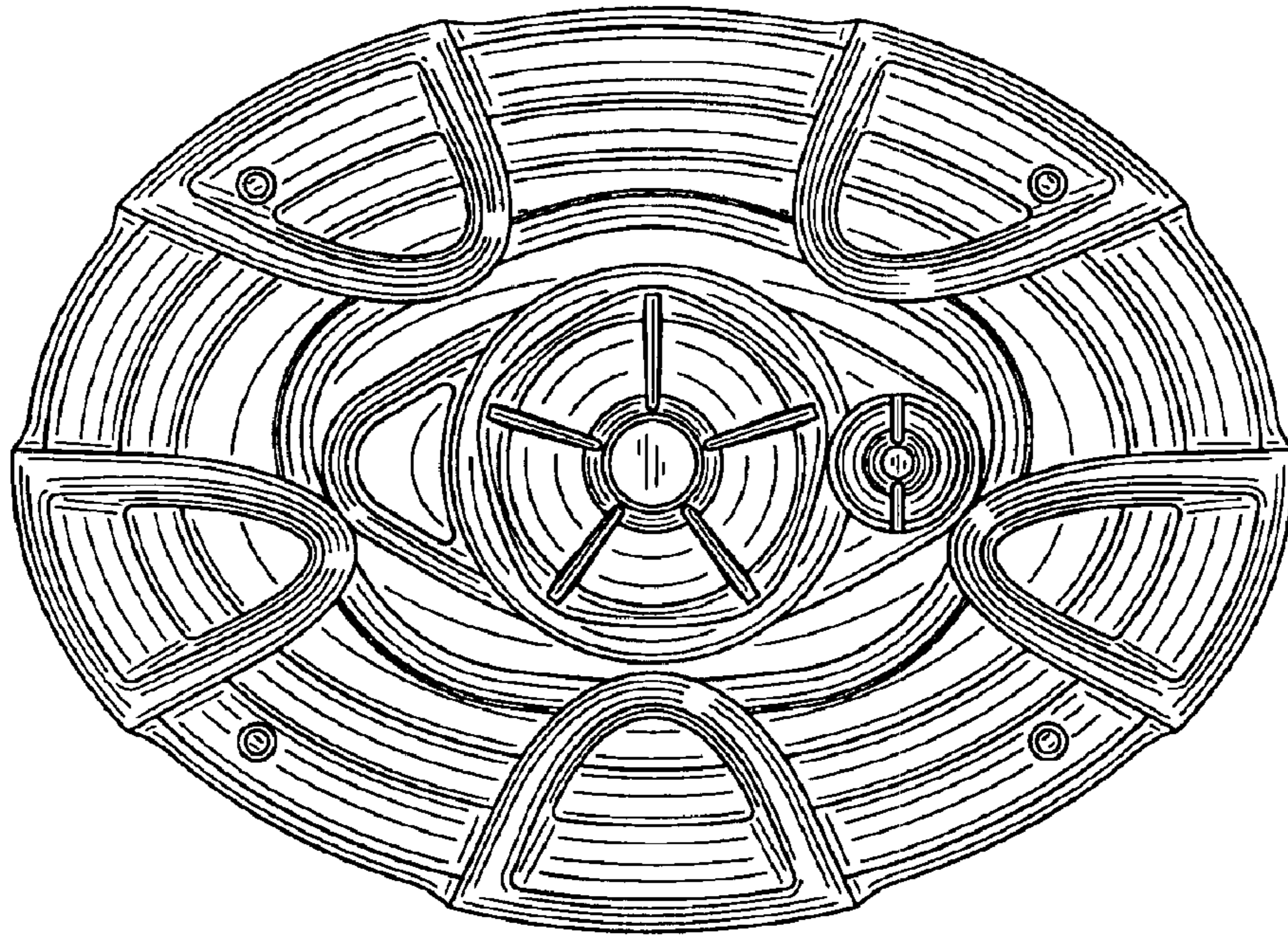


Fig.10

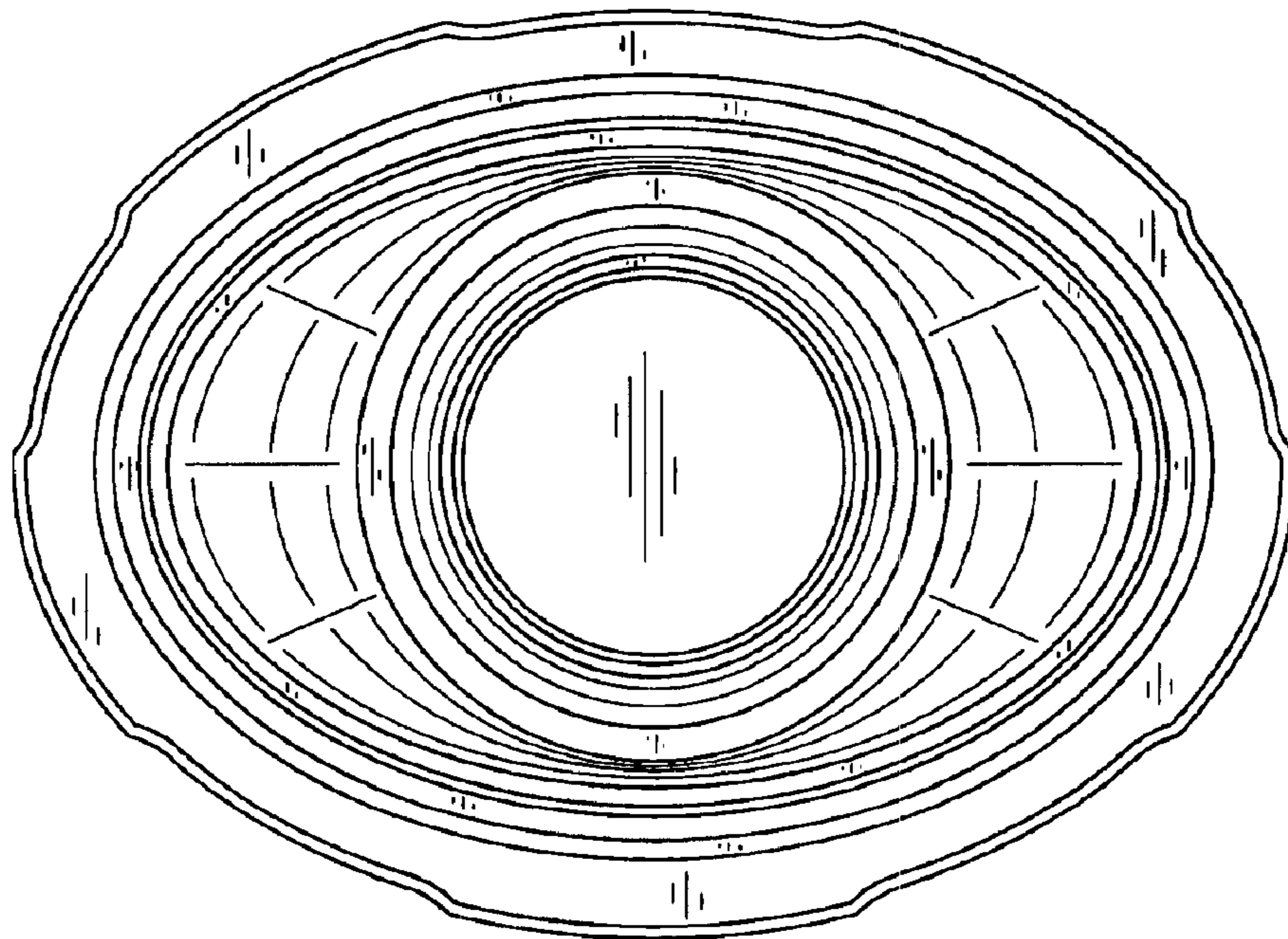


Fig.11

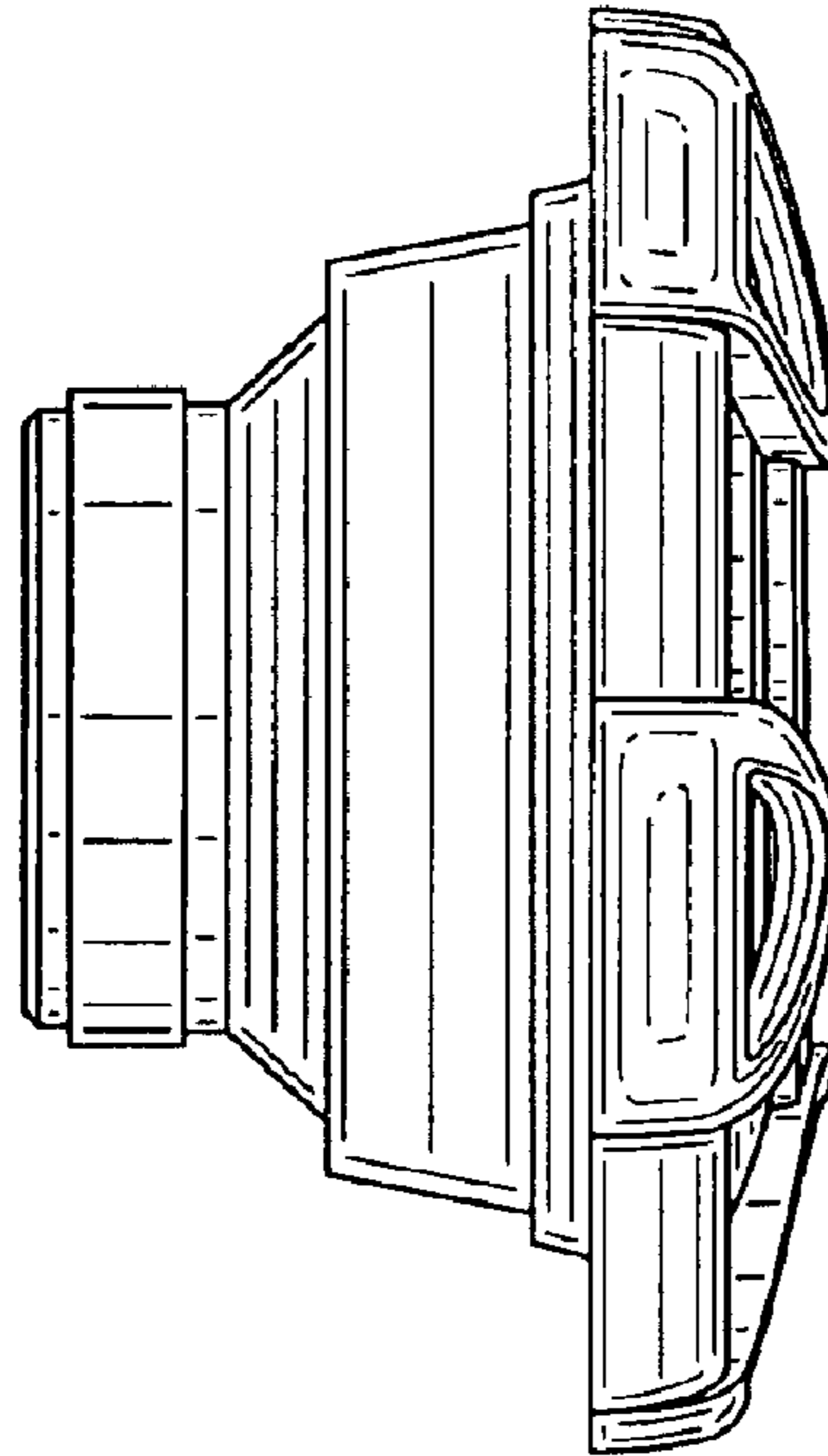


Fig.12

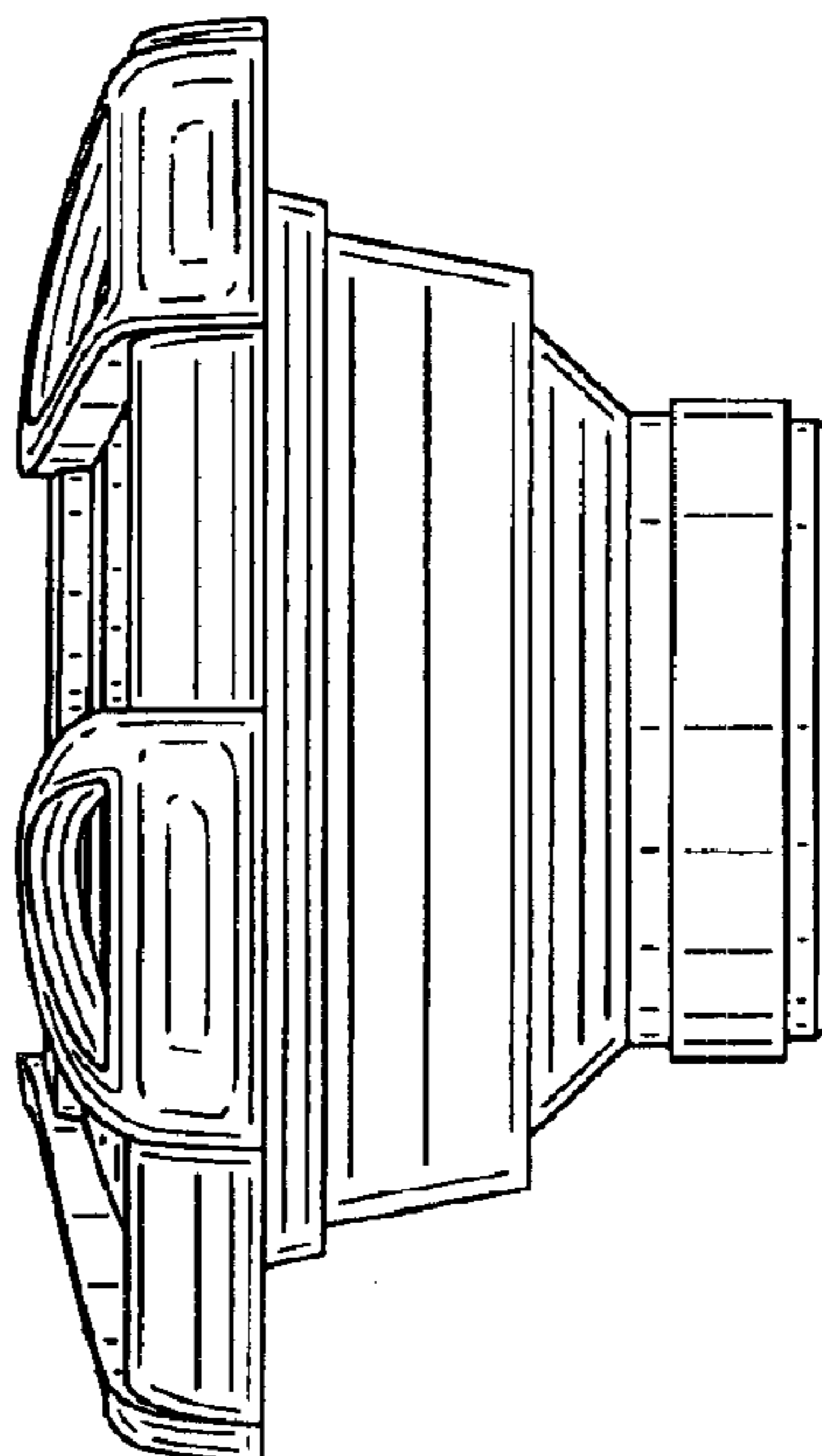


Fig. 13

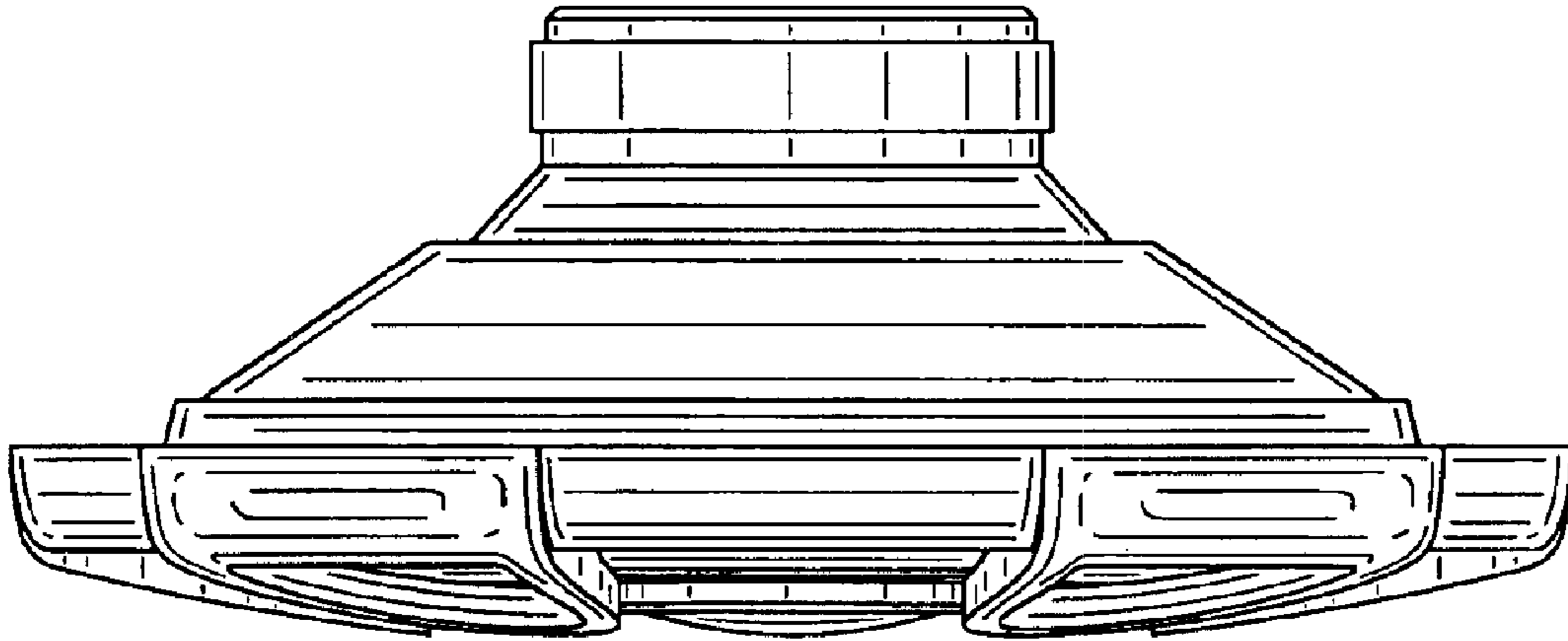


Fig. 14

