

US00D506991S

(12) **United States Design Patent**  
**Chen**

(10) **Patent No.:** **US D506,991 S**  
(45) **Date of Patent:** **\*\* Jul. 5, 2005**

(54) **THIN-LAYER METAL SPEAKER HOUSING**

(76) **Inventor:** **Ching-Shou Chen**, 1st Fl., 5, Lane 75,  
Wu Hua Street, Sanchung, Taipei Hsien  
(TW)

(\*\*) **Term:** **14 Years**

(21) **Appl. No.:** **29/179,295**

(22) **Filed:** **Apr. 9, 2003**

(51) **LOC (8) Cl.** ..... **14-01**

(52) **U.S. Cl.** ..... **D14/204**

(58) **Field of Search** ..... D14/204, 207,  
D14/209-216, 356, 172; 181/143-144,  
147-148, 150, 157, 187, 198-199, 151-153,  
192, 194, 195; 381/300-302, 306, 333,  
345, 361-364, 386-388

(56) **References Cited**

**U.S. PATENT DOCUMENTS**

D225,069 S \* 11/1972 May ..... D14/216  
D249,941 S \* 10/1978 Bremseth ..... D14/204

4,324,313 A \* 4/1982 Nakagawa ..... 181/192  
D274,328 S \* 6/1984 Phelps ..... D14/204  
D340,056 S \* 10/1993 Caron et al. .... D14/204  
6,079,514 A \* 6/2000 Zingali ..... 181/152

\* cited by examiner

*Primary Examiner*—Nanda Bondade  
(74) *Attorney, Agent, or Firm*—Troxell Law Office PLLC

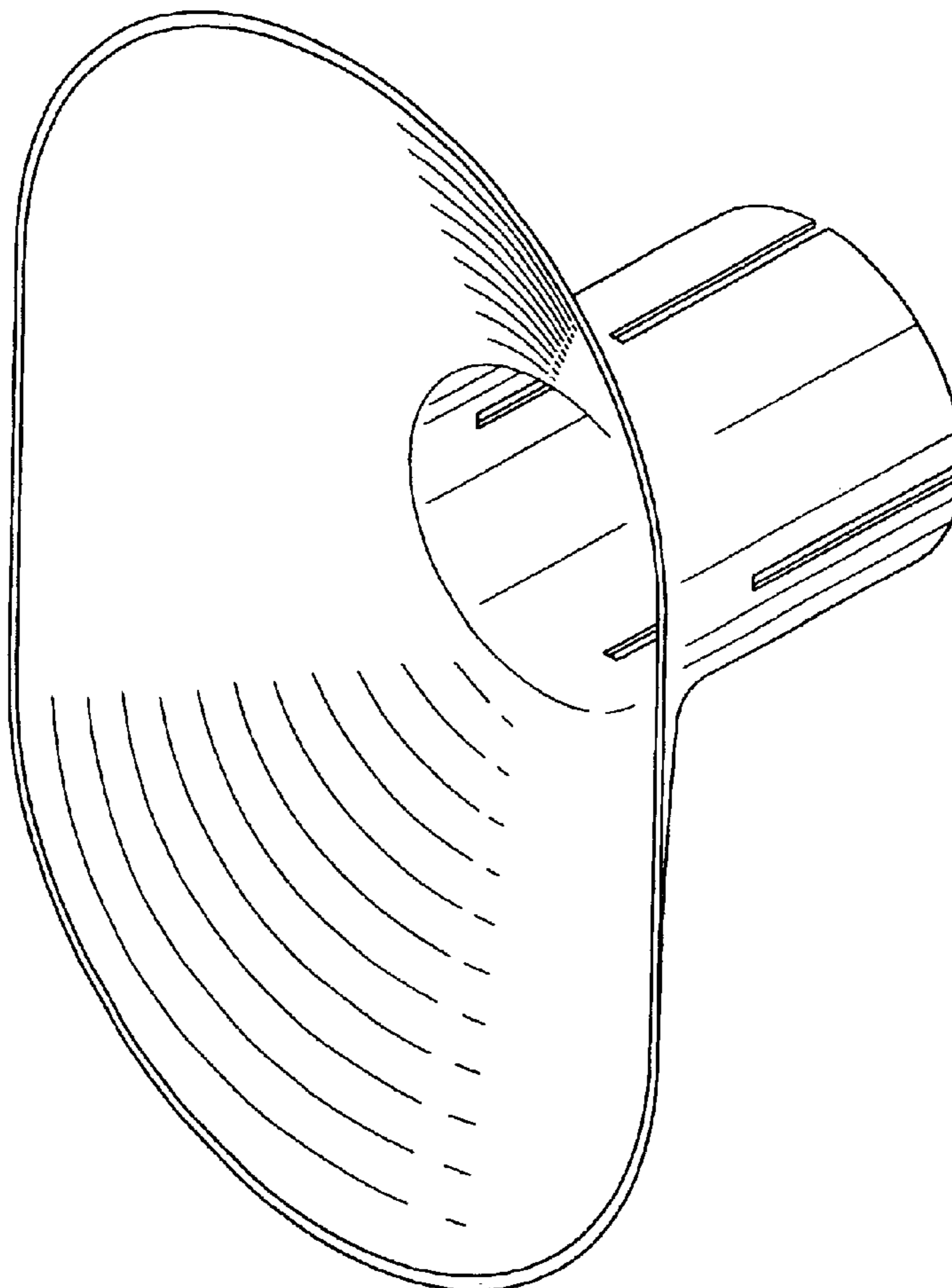
(57) **CLAIM**

The ornamental design for a thin-layer metal speaker housing, as shown.

**DESCRIPTION**

FIG. 1 is a front perspective view of a thin-layer metal speaker housing showing my new design; FIG. 2 is a front elevational view thereof; FIG. 3 is a rear elevational view thereof; FIG. 4 is a left side elevational view thereof; FIG. 5 is a right side elevational view thereof; FIG. 6 is a top plan view thereof; and, FIG. 7 is a bottom plan view thereof.

**1 Claim, 7 Drawing Sheets**



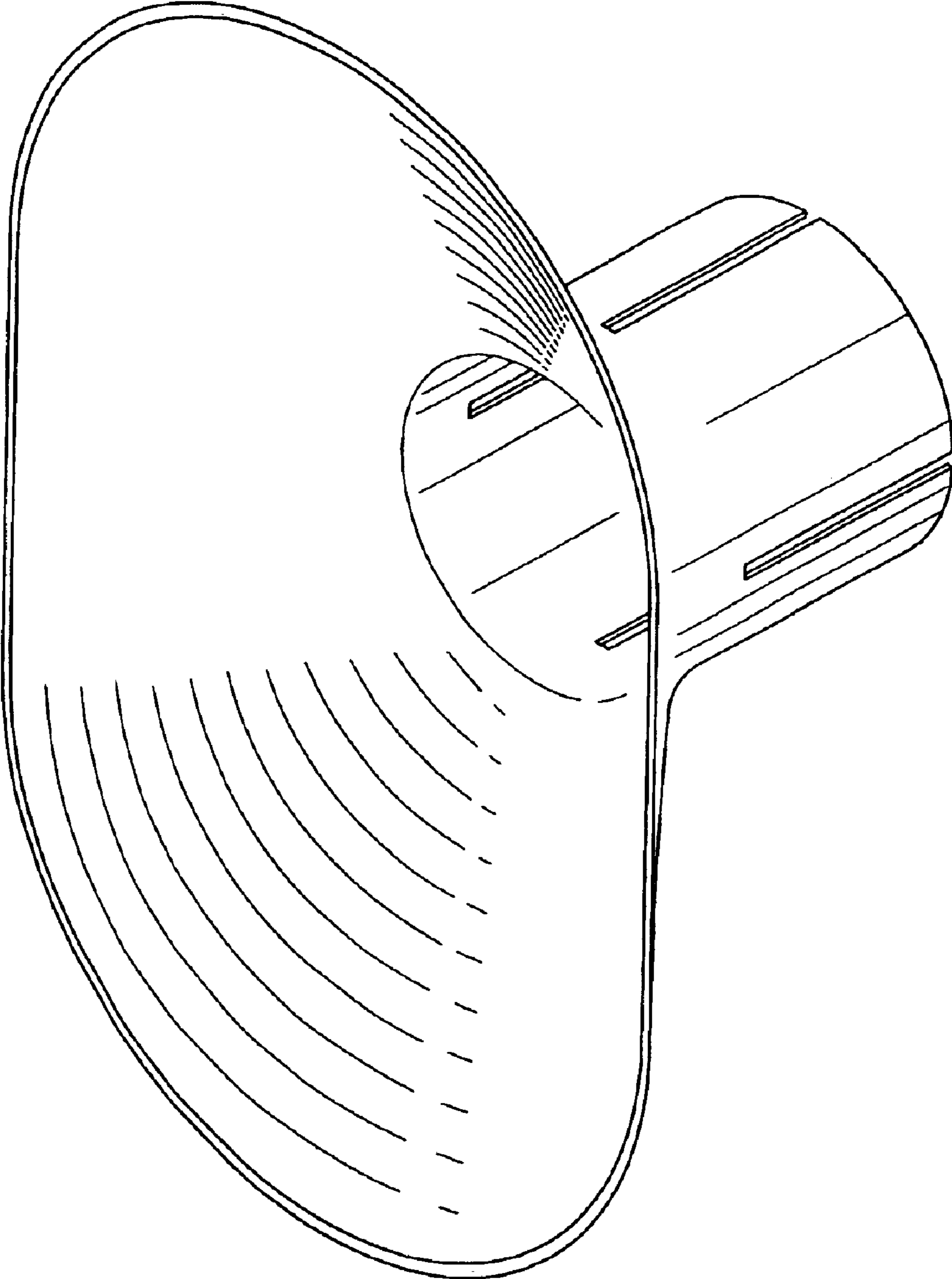


Fig. 1

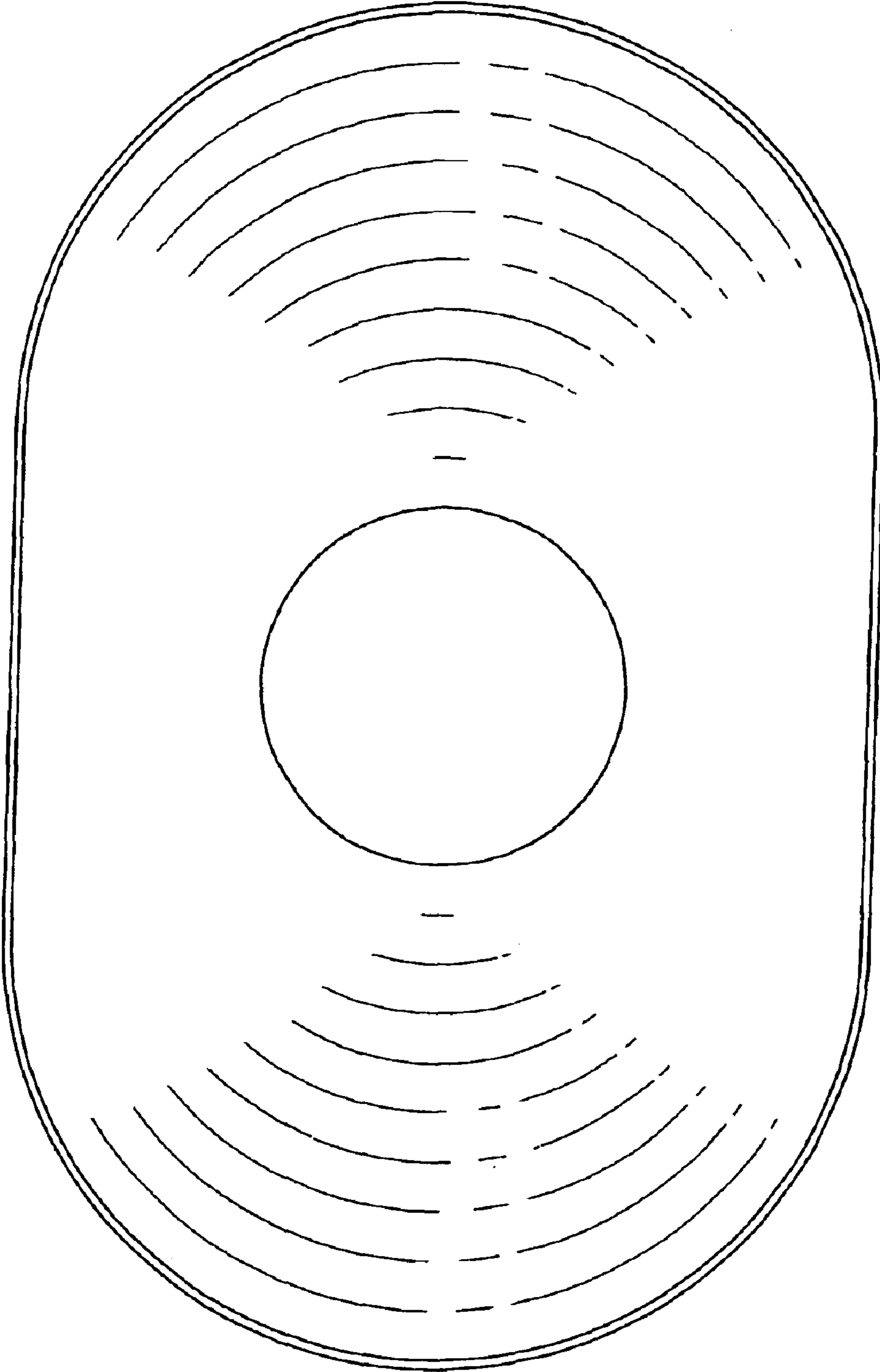


Fig. 2

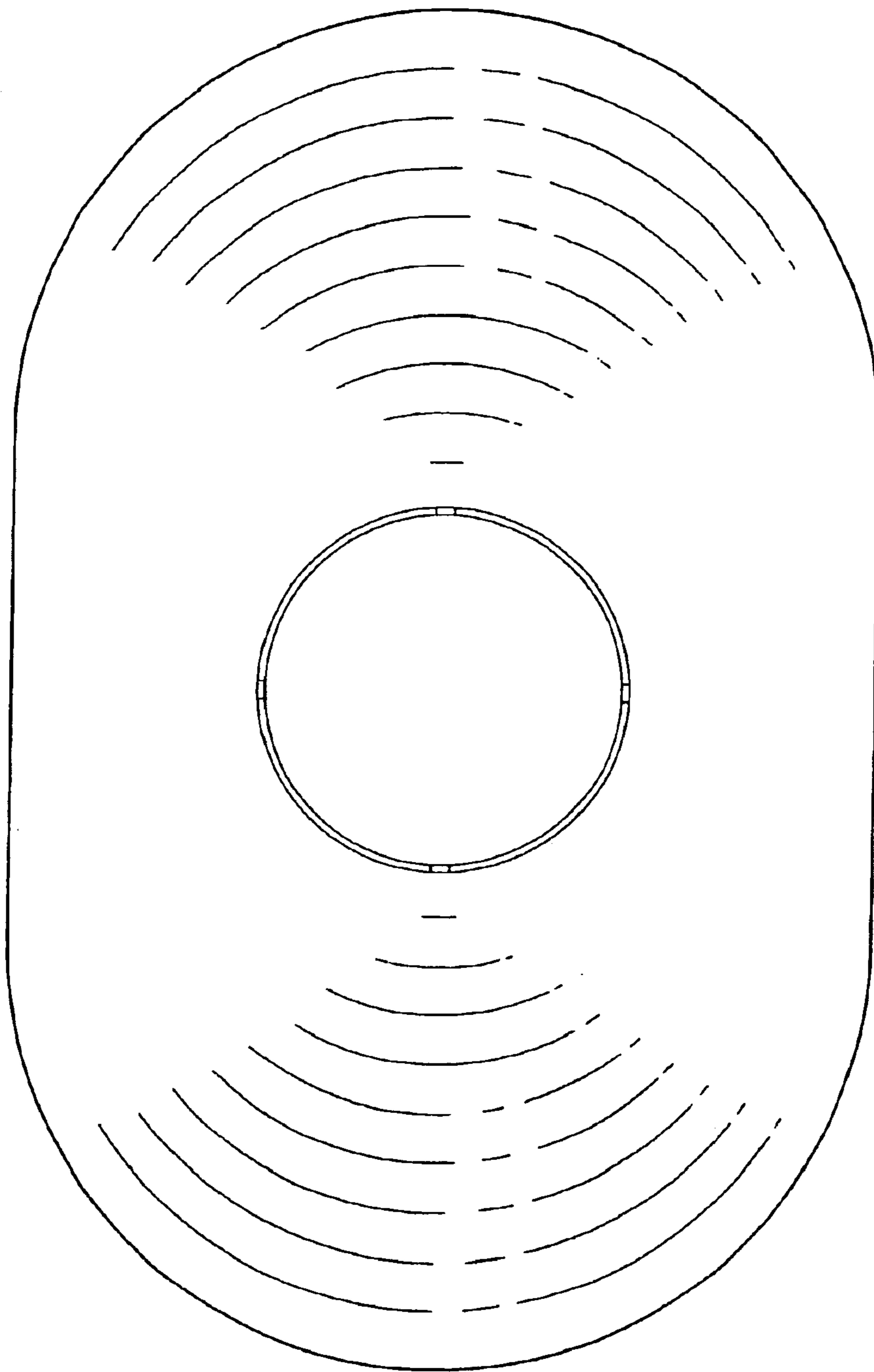


Fig. 3

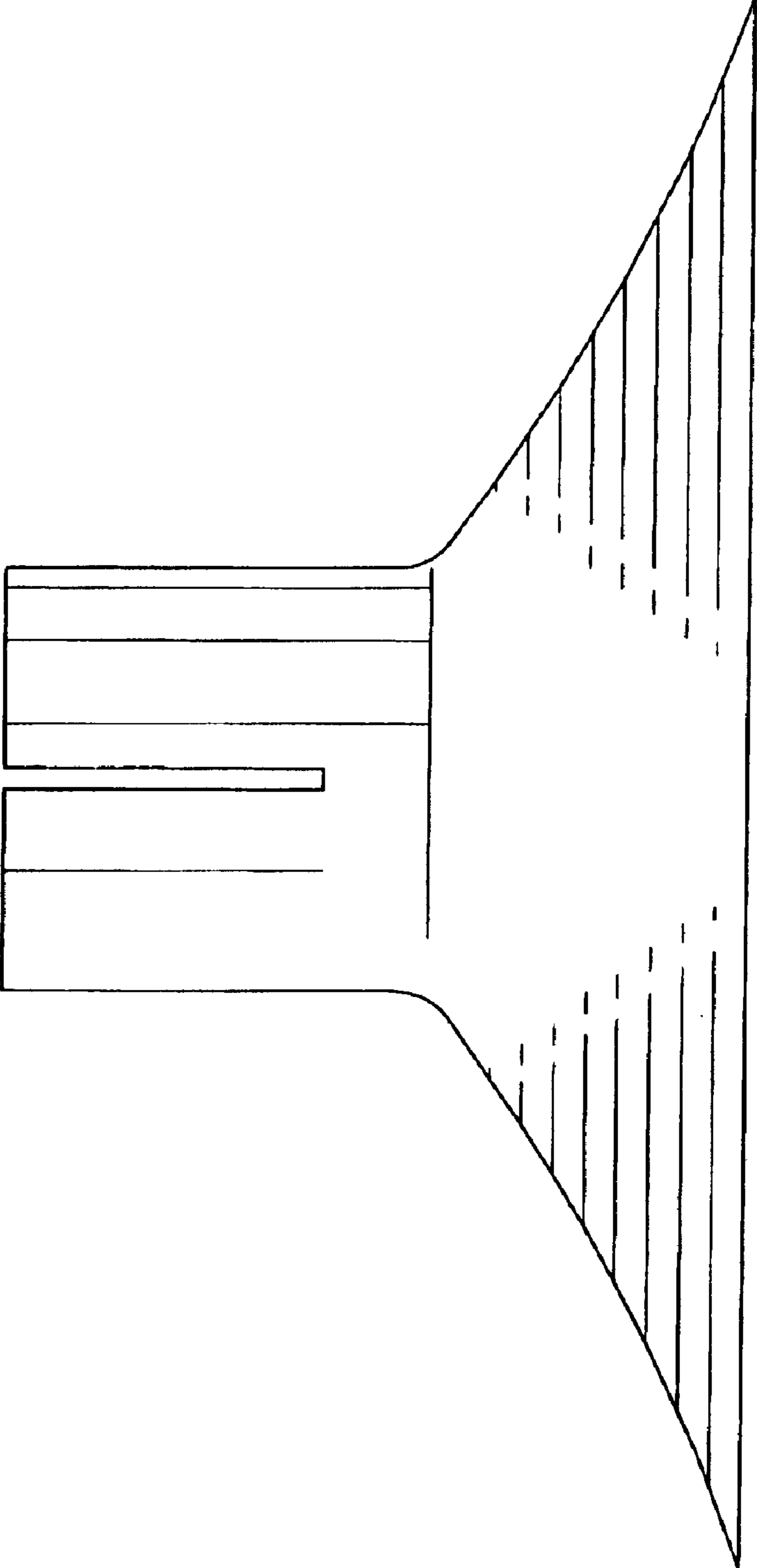


Fig. 4

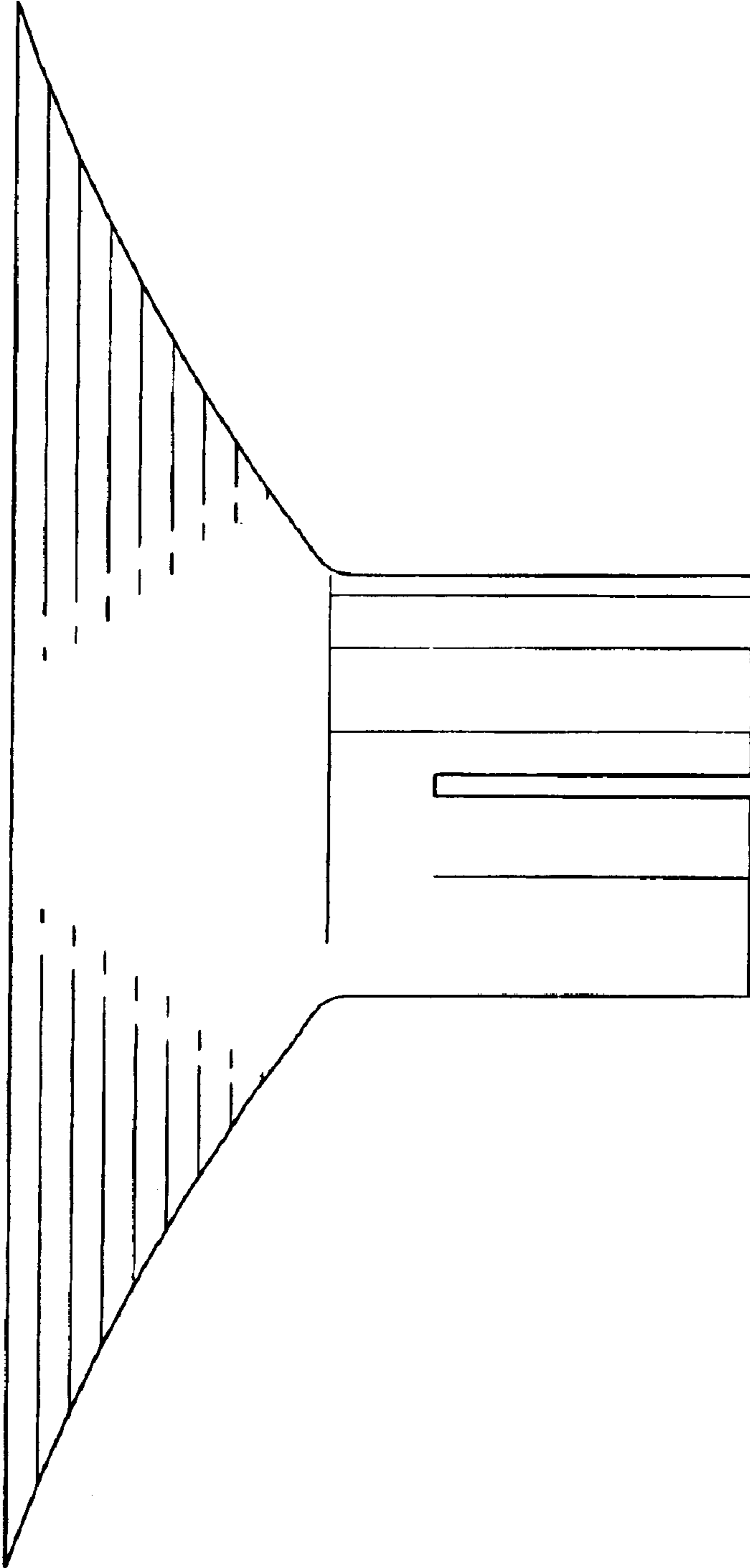


Fig. 5

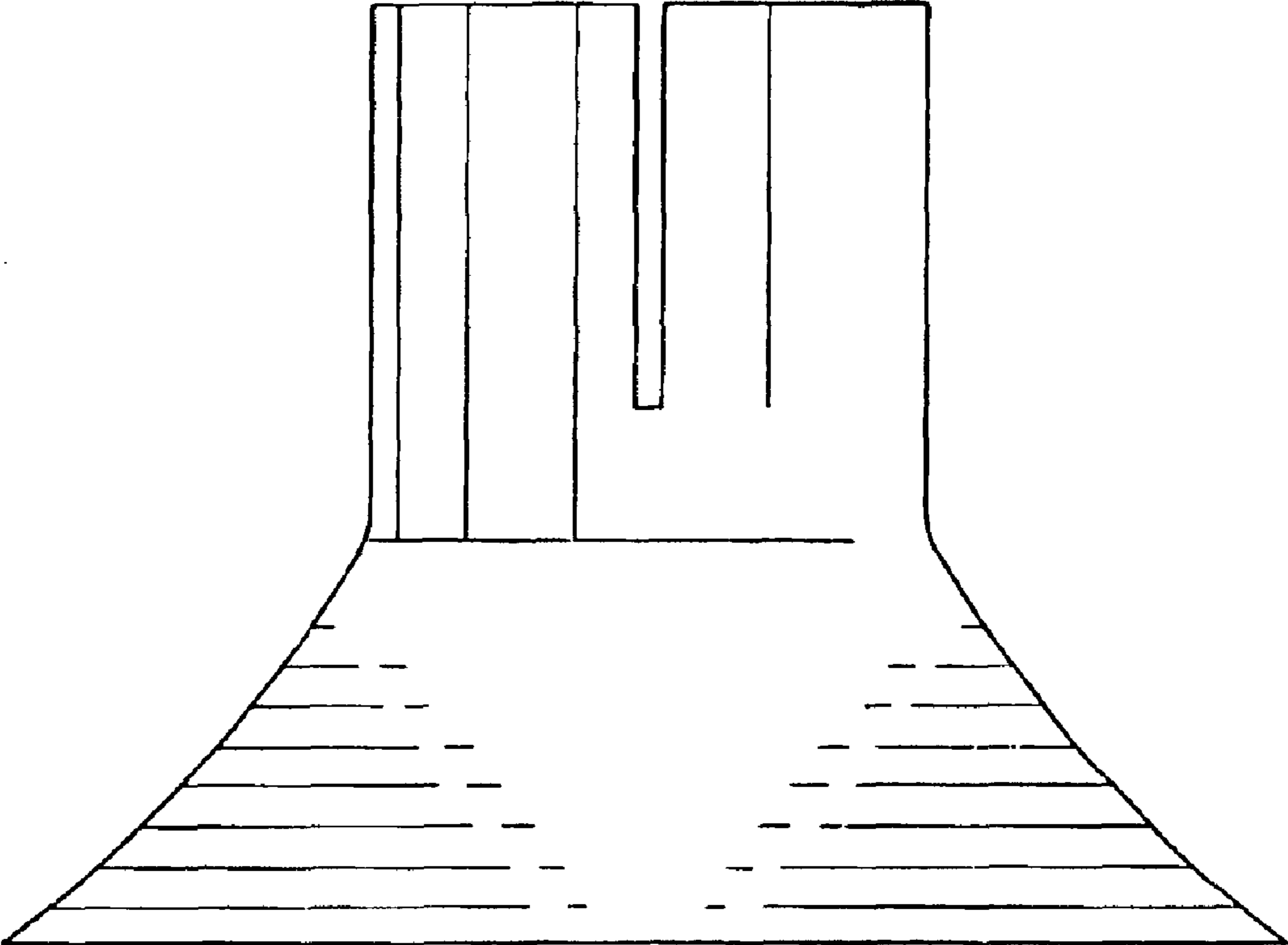


Fig. 6

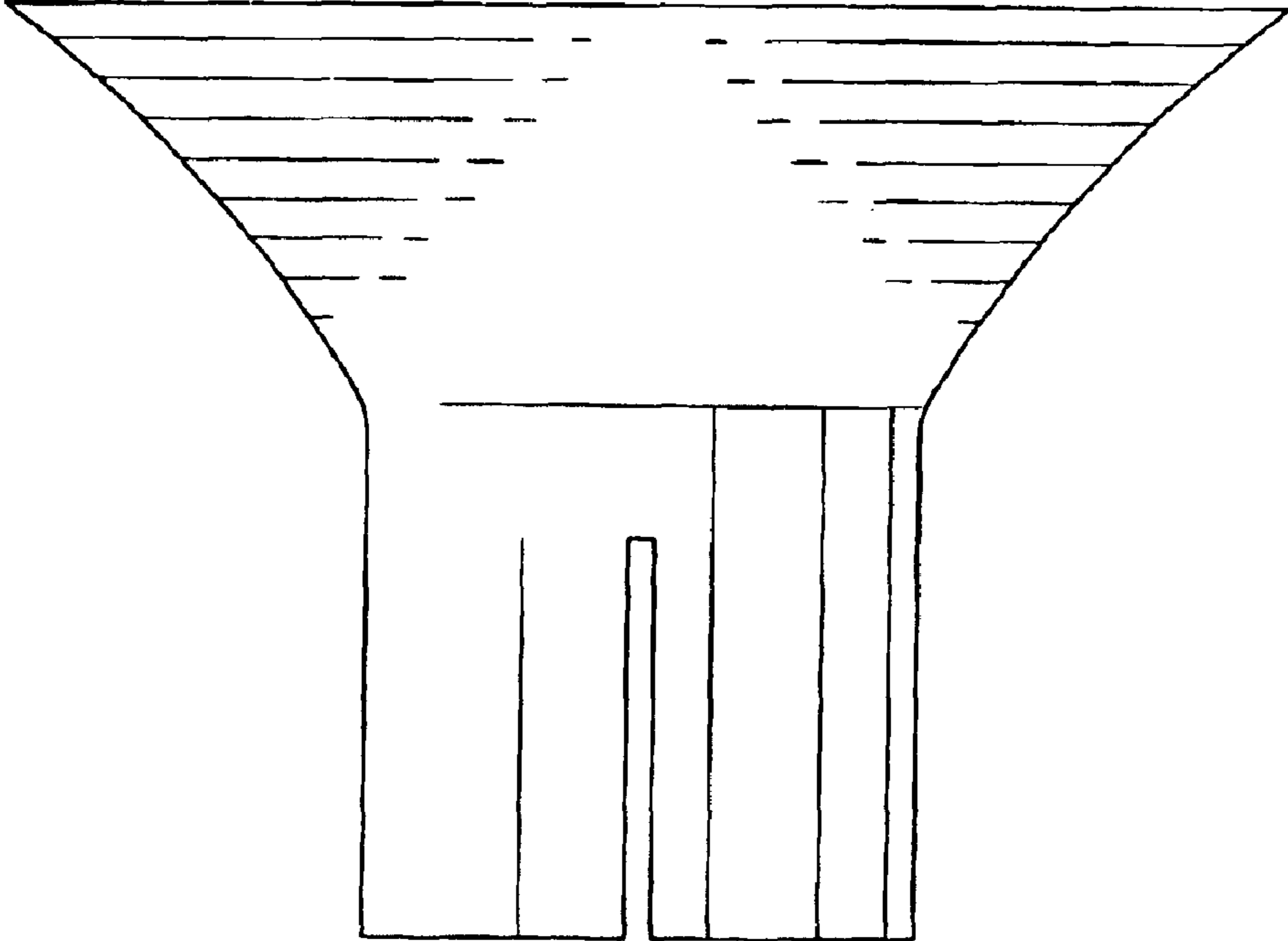


Fig7