



US00D506990S

(12) **United States Design Patent**
Hibino

(10) **Patent No.:** **US D506,990 S**
(45) **Date of Patent:** **** Jul. 5, 2005**

(54) **COMBINED DISC PLAYER AND TAPE RECORDER**

(75) Inventor: **Takuro Hibino**, Tokyo (JP)

(73) Assignee: **Sony Corporation**, Tokyo (JP)

(**) Term: **14 Years**

(21) Appl. No.: **29/208,648**

(22) Filed: **Jul. 2, 2004**

(51) **LOC (8) Cl.** **14-01**

(52) **U.S. Cl.** **D14/162; D14/168**

(58) **Field of Search** D14/445, 260.1,
D14/258, 257, 224, 217, 198, 197, 196,
195, 194, 193, 192, 188, 168, 167, 156,
136, 162; D12/415, 420; 455/351, 174,
350, 347; 330/130

(56) **References Cited**

U.S. PATENT DOCUMENTS

D327,680 S	*	7/1992	Shimazu	D14/162
D327,682 S	*	7/1992	Shimazu	D14/168
D349,288 S	*	8/1994	Ito et al.	D14/168
D350,754 S	*	9/1994	Sasago	D14/168
D354,285 S	*	1/1995	Lee	D14/168
D365,822 S	*	1/1996	Ito et al.	D14/168
D389,147 S	*	1/1998	Ito et al.	D14/168
D408,412 S	*	4/1999	Zeitman	D14/168
D414,184 S	*	9/1999	Ito et al.	D14/168
D416,557 S		11/1999	Matsuoka		
D423,500 S		4/2000	Miyazaki		
D424,058 S	*	5/2000	Shudo	D14/168
D435,535 S	*	12/2000	Shudo et al.	D14/168
D436,944 S	*	1/2001	Narita	D14/168
D452,685 S	*	1/2002	Masui	D14/168
D452,852 S	*	1/2002	Hyogo et al.	D14/168
D455,415 S	*	4/2002	Suzuki	D14/168
D467,569 S	*	12/2002	Kobayashi	D14/168

D468,718 S	*	1/2003	Cuvelier	D14/168
D473,206 S		4/2003	Sasago et al.		
D474,759 S	*	5/2003	Zeitman	D14/168
D477,584 S	*	7/2003	Shin	D14/168
D478,059 S		8/2003	Oikawa		
D478,565 S		8/2003	Oikawa		
D488,797 S	*	4/2004	Hioki	D14/168
D491,912 S	*	6/2004	Yamashita et al.	D14/168

OTHER PUBLICATIONS

Web page "DHC-FL5" http://www.sony-mea.com/hifiaudio/dhcf15_fs.html, 1 sheet, Sony (Dec. 2003).

Web page "DHC-FL7" http://www.sony-mea.com/hifiaudio/dhcf15_fs.html, 1 sheet, Sony (Dec. 2003).

Web page "XR-MJ3DVD" <http://www.jp.aiwa.com/products/audio/dvdm/dxr-mi3dvd.html>, 1 sheet, Aiwa (Dec. 2003).

* cited by examiner

Primary Examiner—Joel A. Sincavage

Assistant Examiner—Austin Murphy

(74) *Attorney, Agent, or Firm*—Rader, Fishman & Grauer PLLC

(57) **CLAIM**

The ornamental design for a combined disc player and tape recorder, as shown.

DESCRIPTION

FIG. 1 is a perspective view of a combined disc player and tape recorder showing my new design; FIG. 2 is a front elevational view thereof; FIG. 3 is a rear elevational view thereof; FIG. 4 is a left side elevational view thereof; FIG. 5 is a right side elevational view thereof; FIG. 6 is a top plan view thereof; and, FIG. 7 is a bottom plan view thereof.

1 Claim, 5 Drawing Sheets

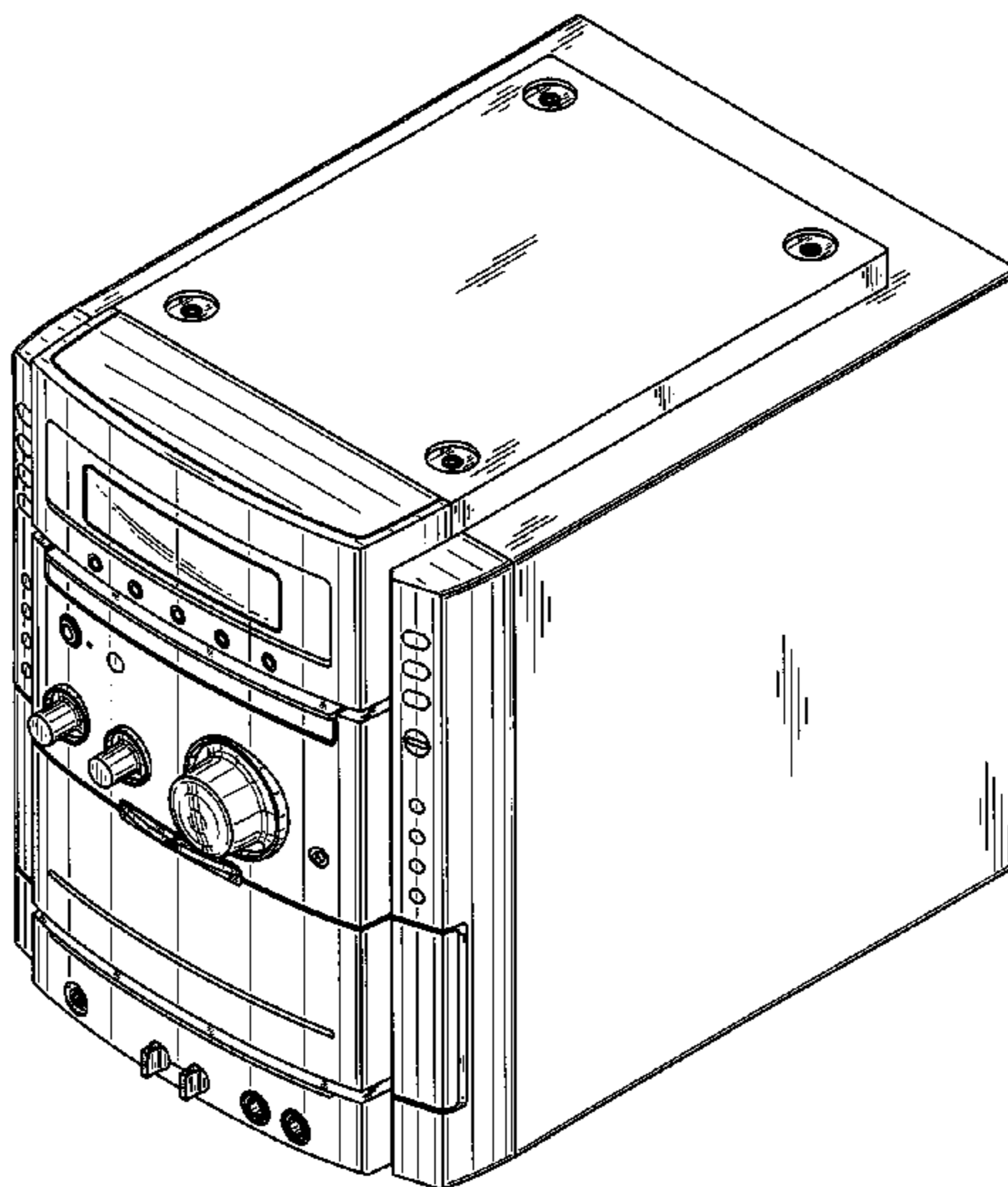


Fig.1

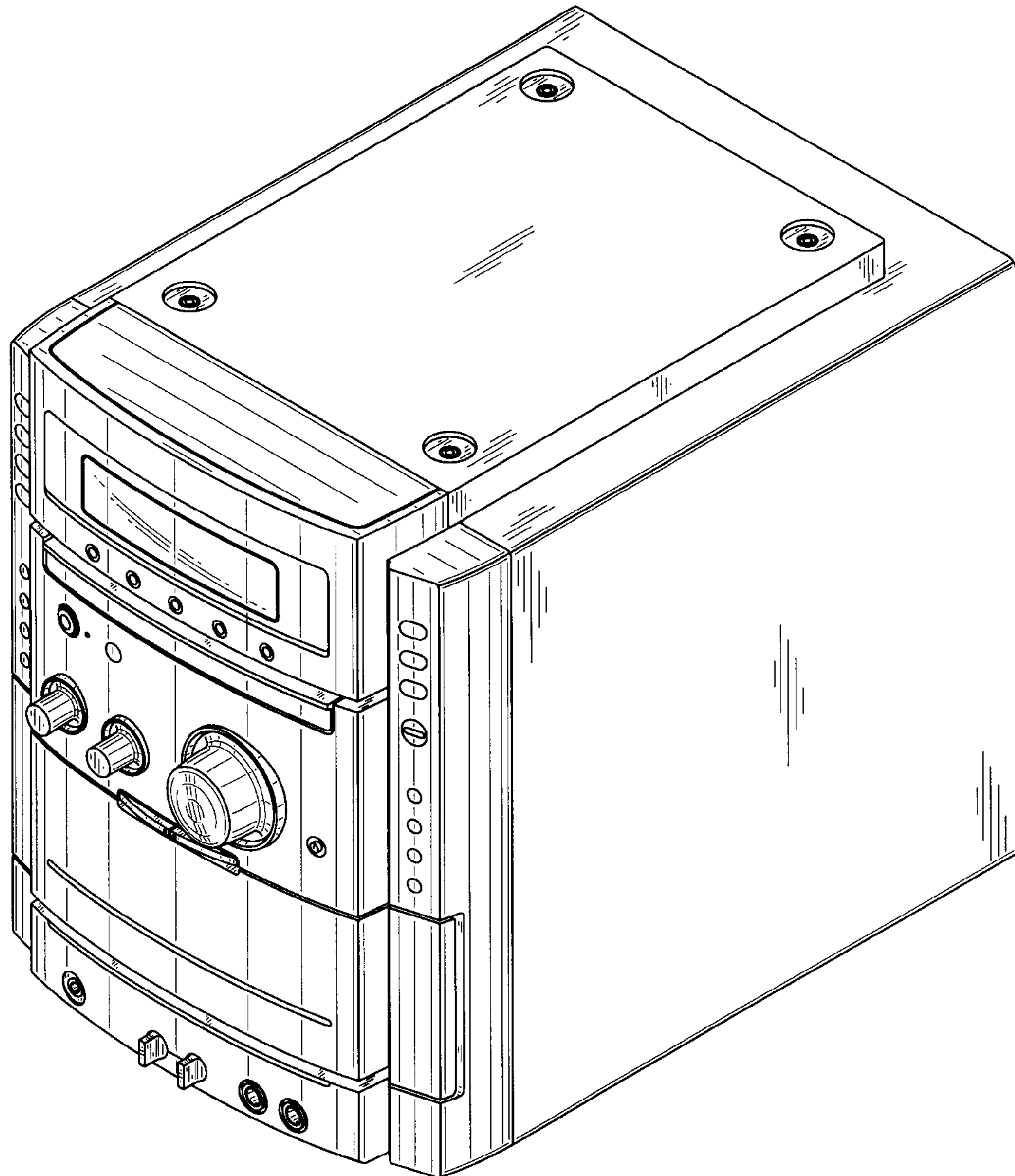


Fig.2

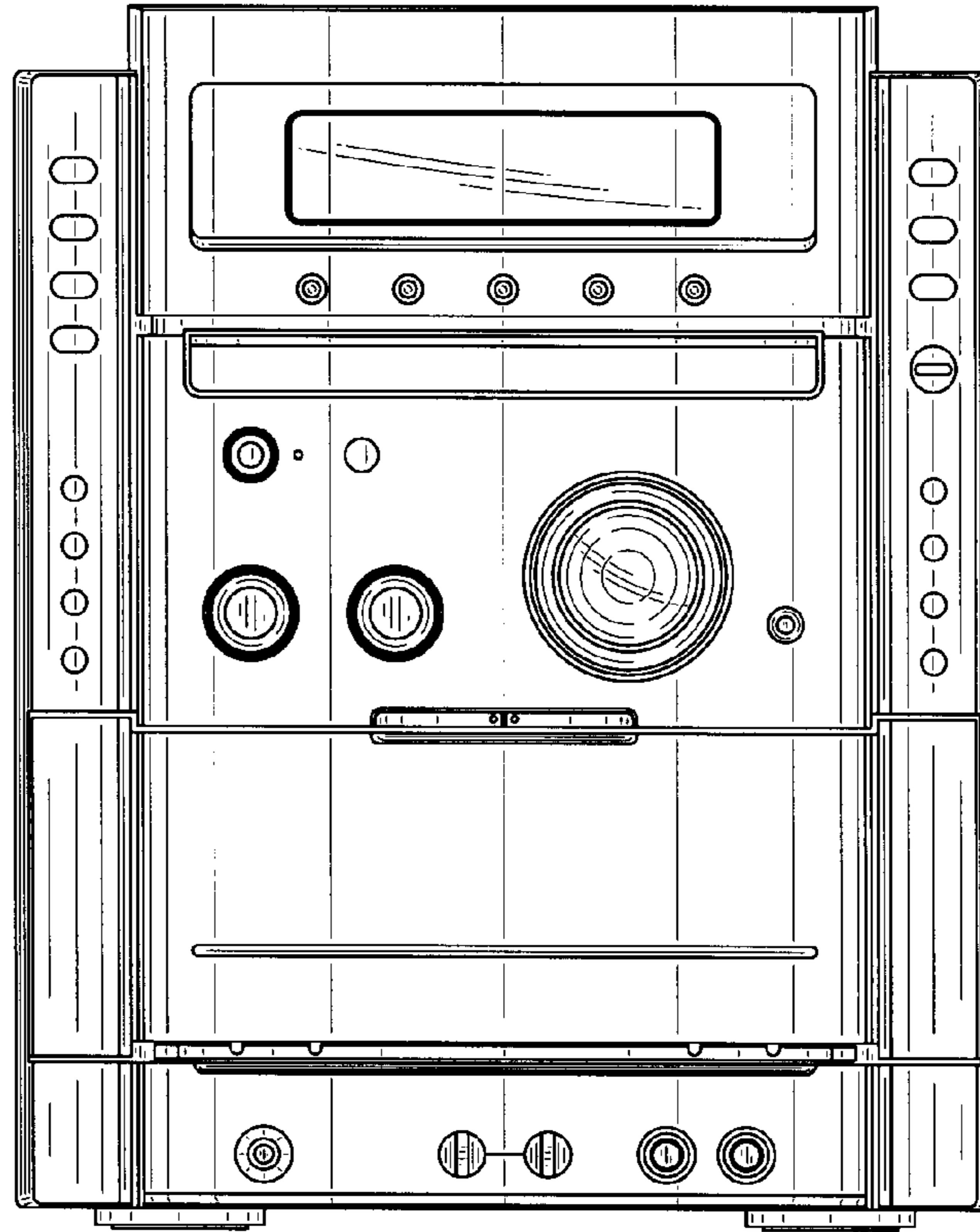


Fig.3

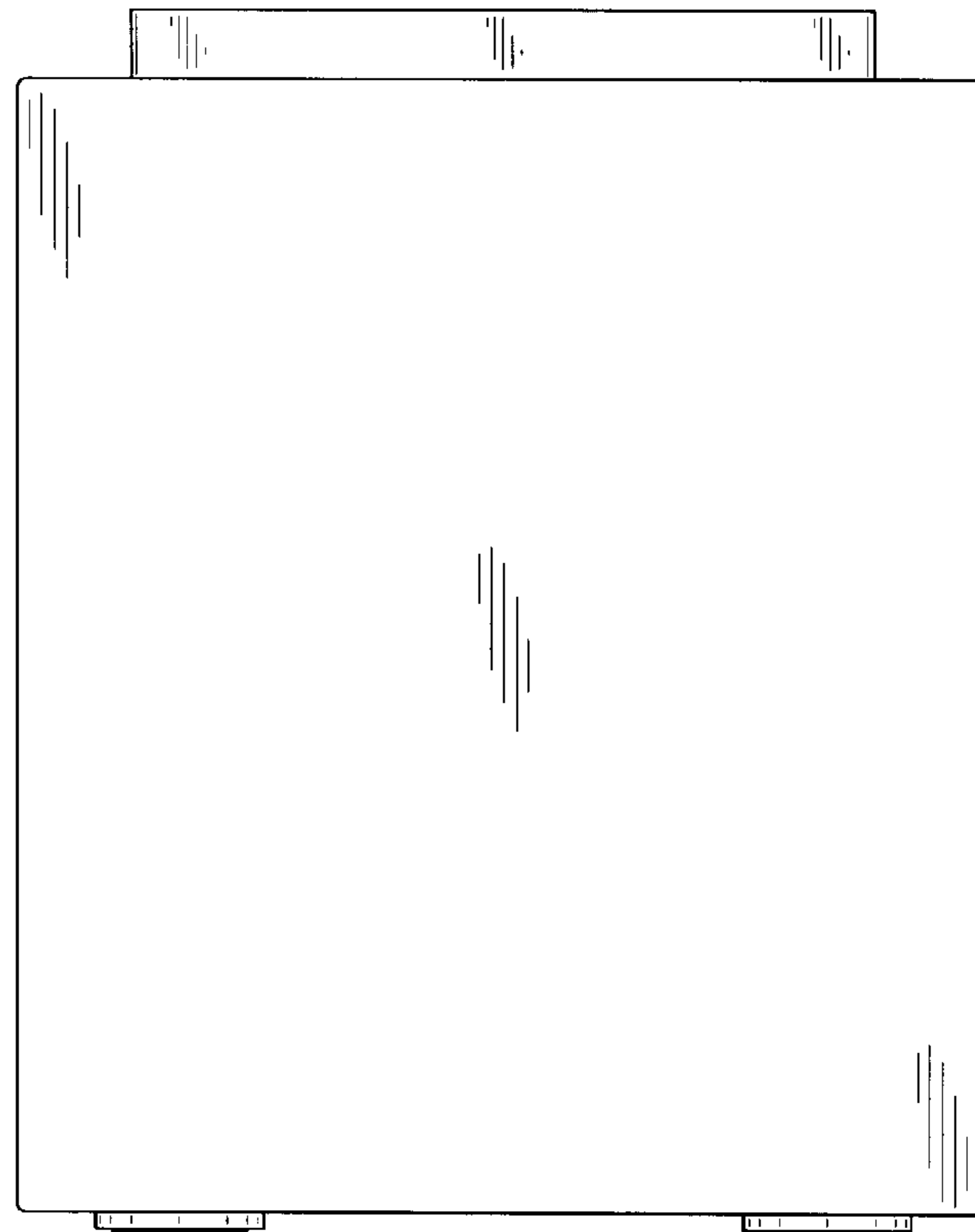


Fig.4

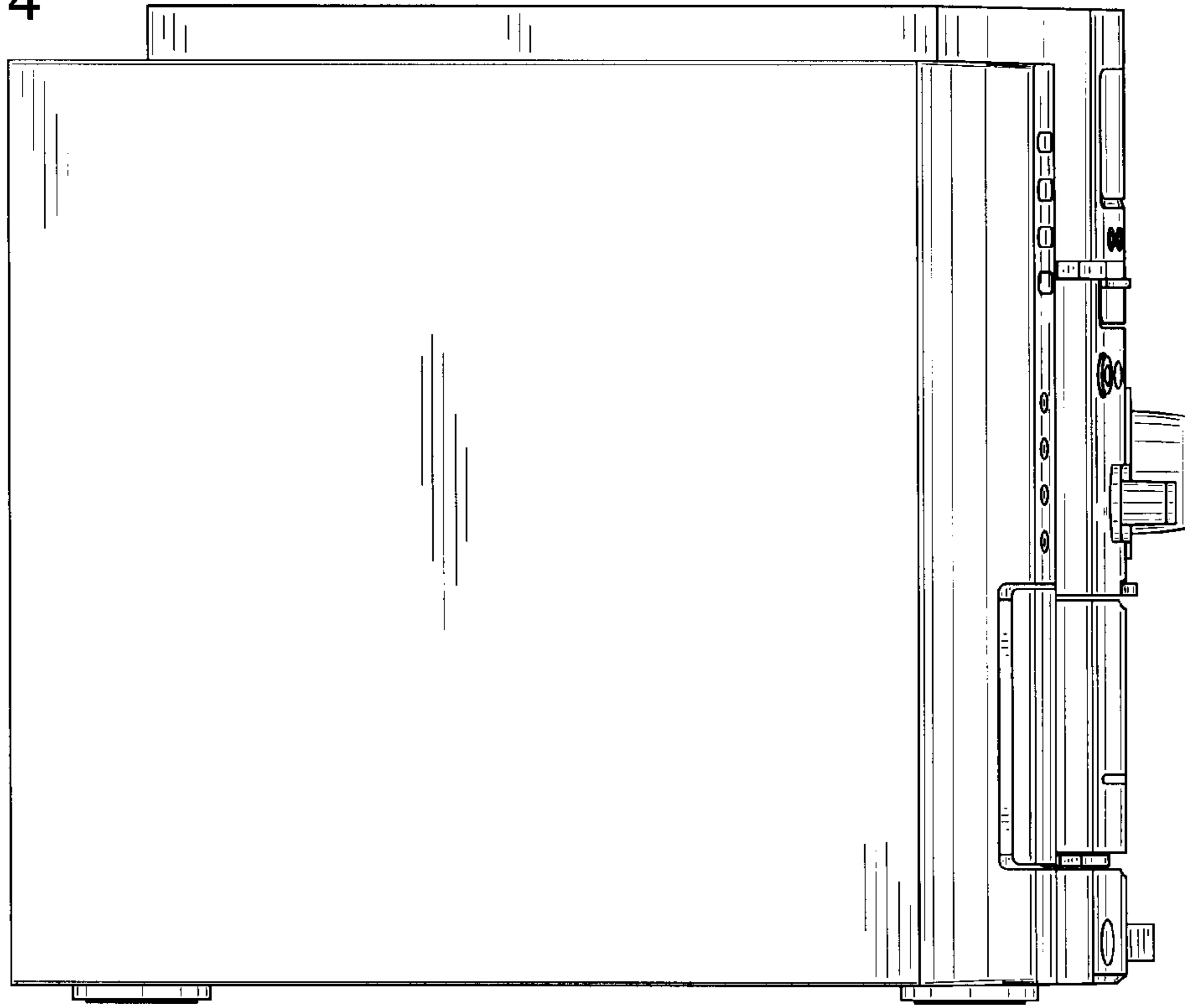


Fig.5

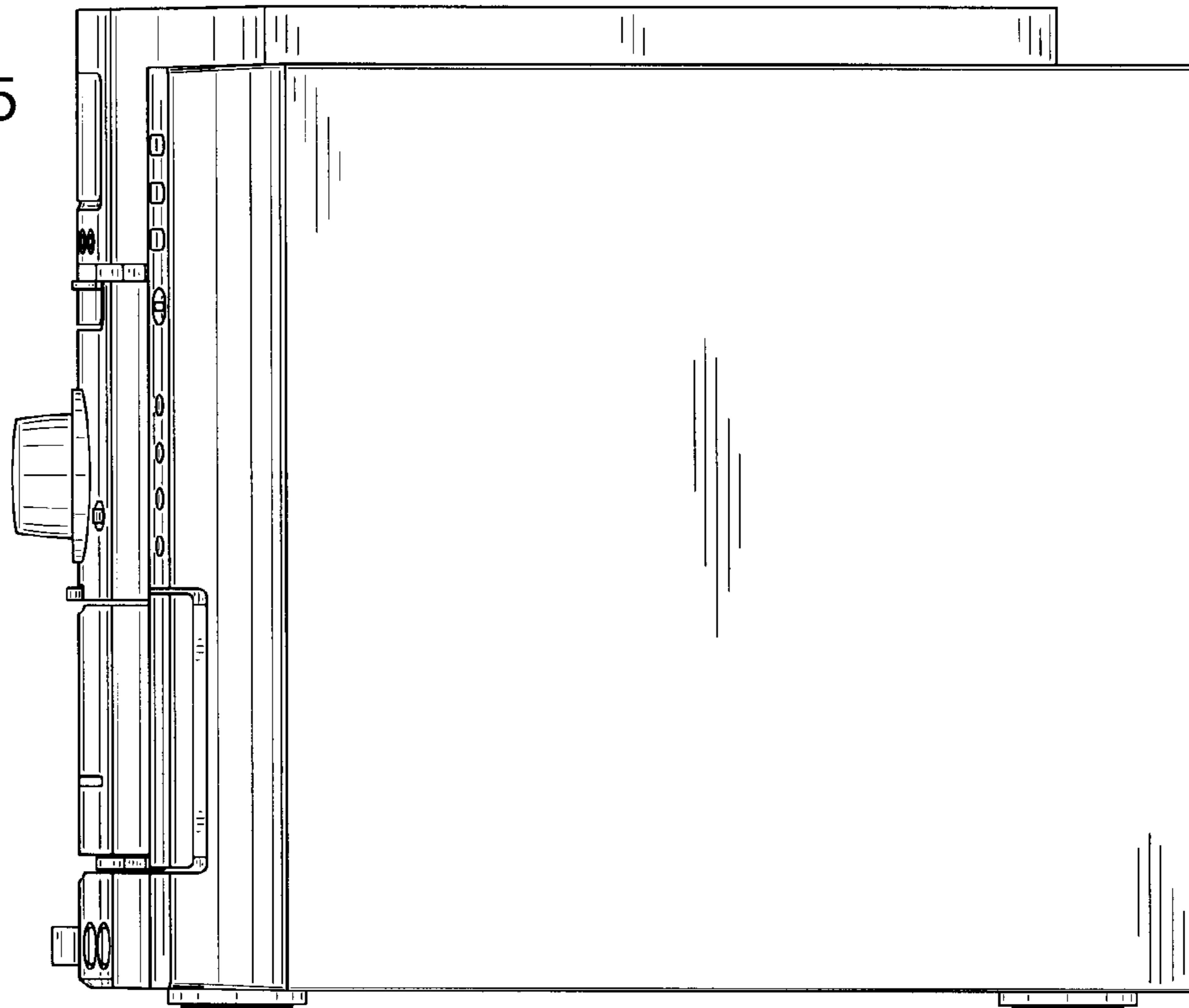


Fig.6

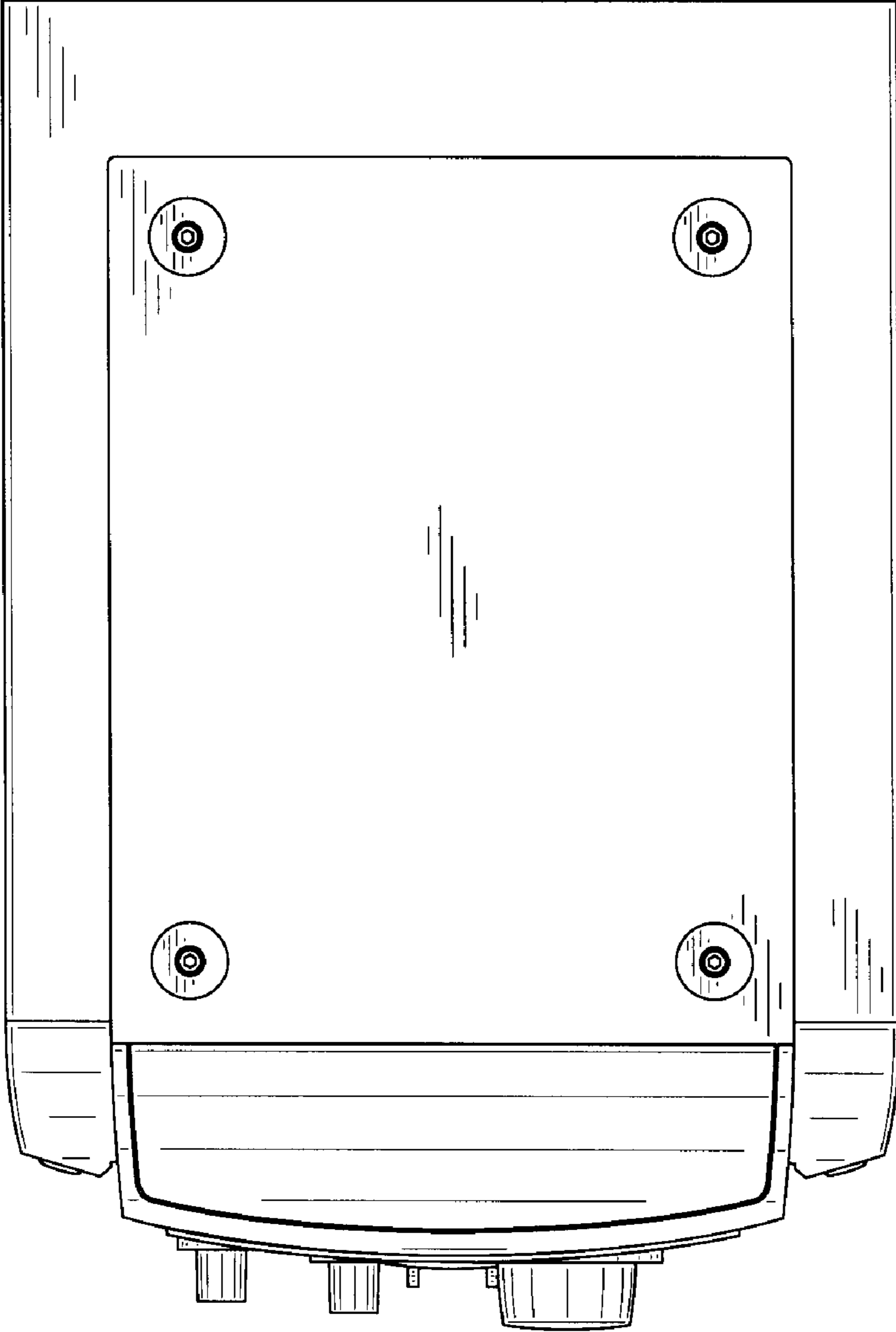


Fig.7

