

US00D506987S

(12) **United States Design Patent**  
**Lai et al.**

(10) **Patent No.: US D506,987 S**  
(45) **Date of Patent: \*\* Jul. 5, 2005**

(54) **FOLDABLE MOBILE PHONE**

(75) Inventors: **Cheng-Shing Lai**, Taipei Hsien (TW);  
**Zheng-Xiang Xia**, Nanking (CN)

(73) Assignee: **Inventec Appliances Corporation**,  
Taipei Hsien (TW)

(\*\*) Term: **14 Years**

(21) Appl. No.: **29/209,609**

(22) Filed: **Jul. 20, 2004**

(51) **LOC (8) Cl. .... 14-03**

(52) **U.S. Cl. .... D14/138**

(58) **Field of Search** ..... D14/137, 138,  
D14/147-148, 247-248, 144, 341-347;  
379/433.01-433.13, 434; 455/550.1-90.3,  
575.3, 566, 575.1; D21/517

(56) **References Cited**

**U.S. PATENT DOCUMENTS**

- D395,300 S \* 6/1998 Yamazaki et al. .... D14/138
- D408,030 S \* 4/1999 Richards et al. .... D14/138
- D425,887 S \* 5/2000 Edwards et al. .... D14/138
- D432,105 S \* 10/2000 Hyun ..... D14/138
- D452,968 S \* 1/2002 Evers et al. .... D14/345
- D455,414 S \* 4/2002 Lee et al. .... D14/138
- D459,322 S \* 6/2002 Hyun ..... D14/138
- D460,429 S \* 7/2002 Kolwaite ..... D14/138
- D465,466 S \* 11/2002 Hyun ..... D14/138
- D467,235 S \* 12/2002 Hawkins et al. .... D14/138
- D467,912 S \* 12/2002 Lai et al. .... D14/248
- D475,986 S \* 6/2003 Ng et al. .... D14/138
- D481,697 S \* 11/2003 Rausch et al. .... D14/138
- D484,864 S \* 1/2004 Liang et al. .... D14/138
- D486,811 S \* 2/2004 Lhem ..... D14/138

- D488,788 S \* 4/2004 Chan ..... D14/138
- D488,790 S \* 4/2004 Peng et al. .... D14/138
- D489,344 S \* 5/2004 Lee et al. .... D14/138
- D489,699 S \* 5/2004 Hwang et al. .... D14/138
- D491,158 S \* 6/2004 Mou et al. .... D14/138
- D491,908 S \* 6/2004 Son ..... D14/138
- D496,021 S \* 9/2004 Jang ..... D14/138
- D497,891 S \* 11/2004 Peng et al. .... D14/138
- D498,222 S \* 11/2004 Liang ..... D14/138
- D498,734 S \* 11/2004 Joung ..... D14/138
- 6,819,947 B2 \* 11/2004 Okuda et al. .... 455/575.3
- D500,016 S \* 12/2004 Kim ..... D14/138
- D500,750 S \* 1/2005 Arnholt et al. .... D14/138
- D501,455 S \* 2/2005 Hunt et al. .... D14/138

**FOREIGN PATENT DOCUMENTS**

JP D1154363 \* 9/2002

\* cited by examiner

*Primary Examiner*—Jeffrey Asch

(74) *Attorney, Agent, or Firm*—Bacon & Thomas PLLC

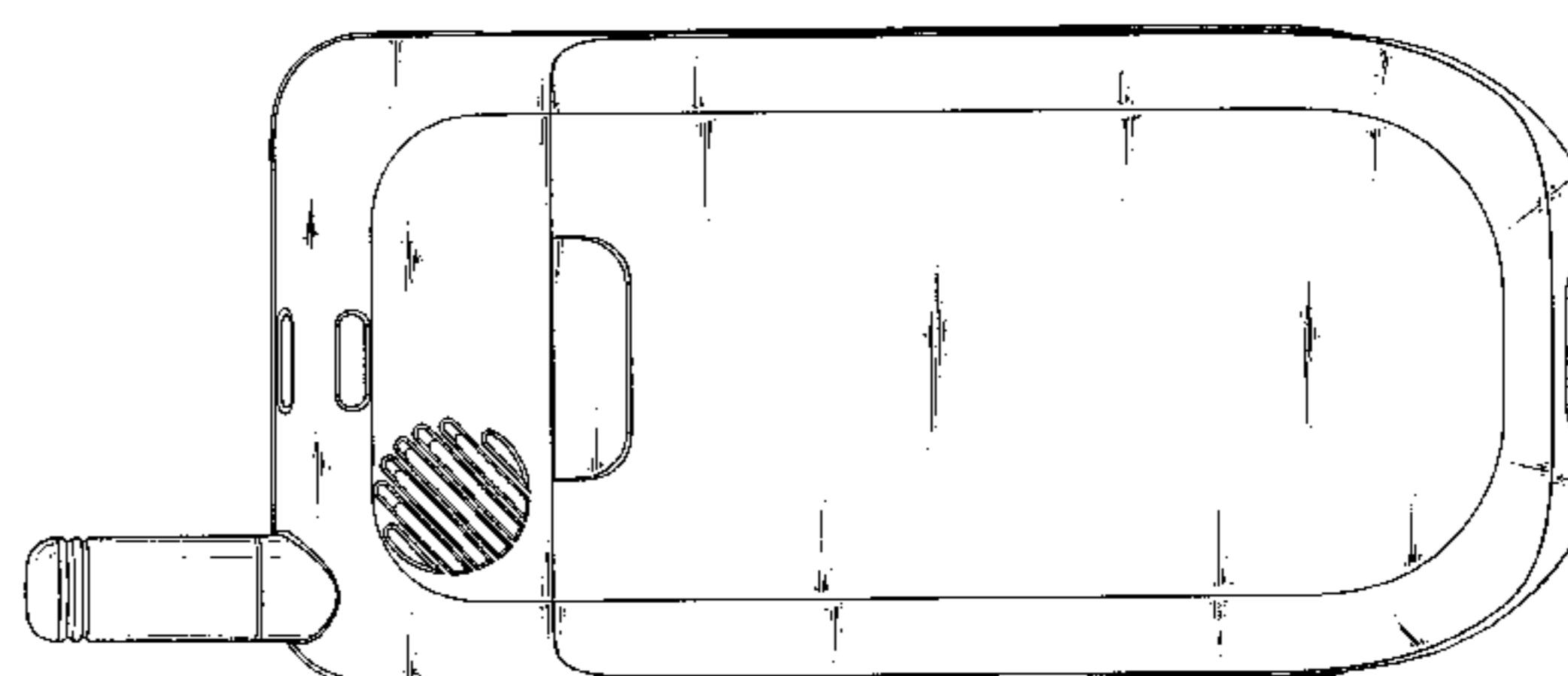
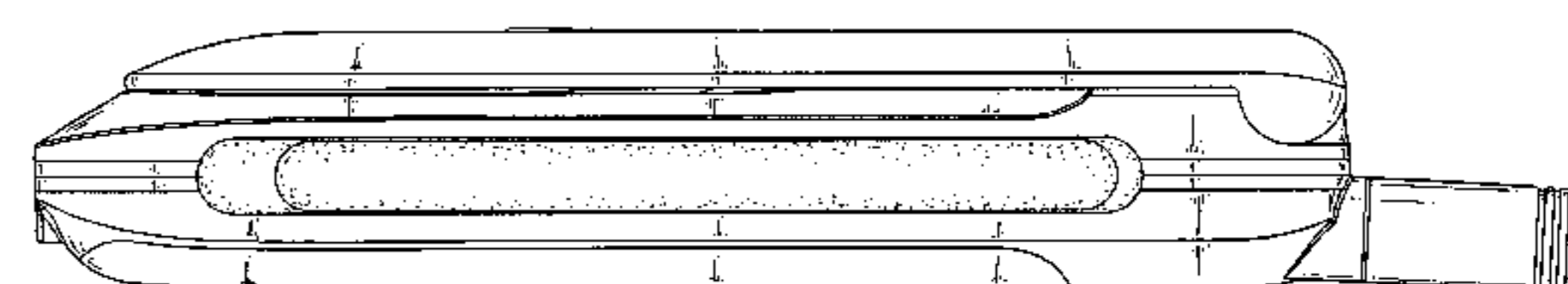
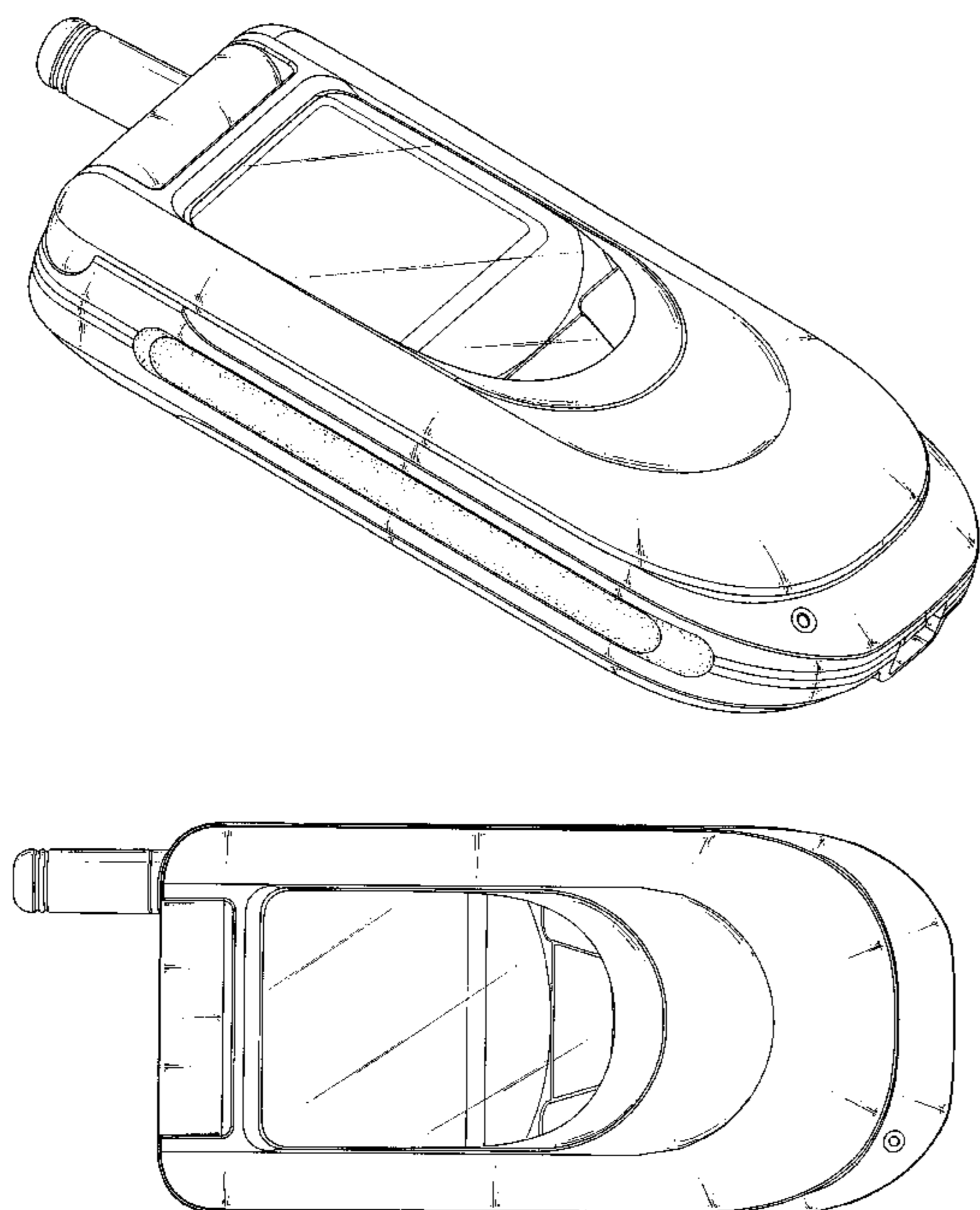
(57) **CLAIM**

The ornamental design for a foldable mobile phone, as shown.

**DESCRIPTION**

FIG. 1 is a perspective view of a foldable mobile phone showing my new design;  
FIG. 2 is a front elevational view thereof;  
FIG. 3 is a rear elevational view thereof;  
FIG. 4 is a left side elevational view thereof;  
FIG. 5 is a right side elevational view thereof;  
FIG. 6 is a top plan view thereof; and,  
FIG. 7 is a bottom plan view thereof.

**1 Claim, 5 Drawing Sheets**



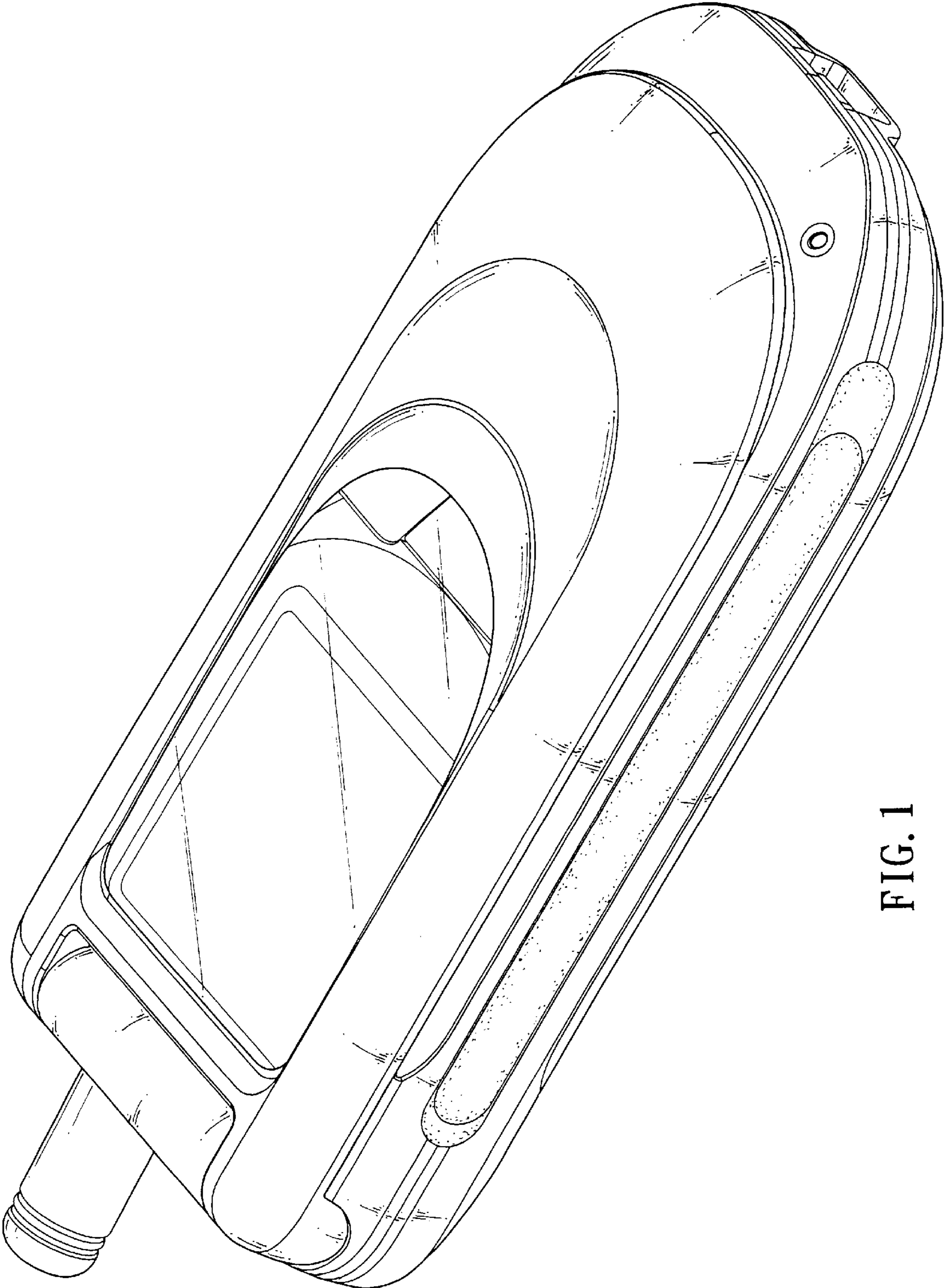


FIG. 1

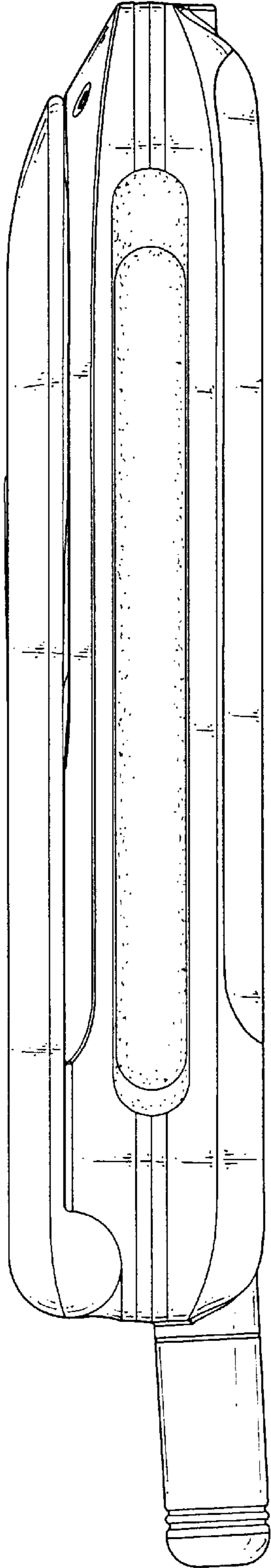


FIG. 2

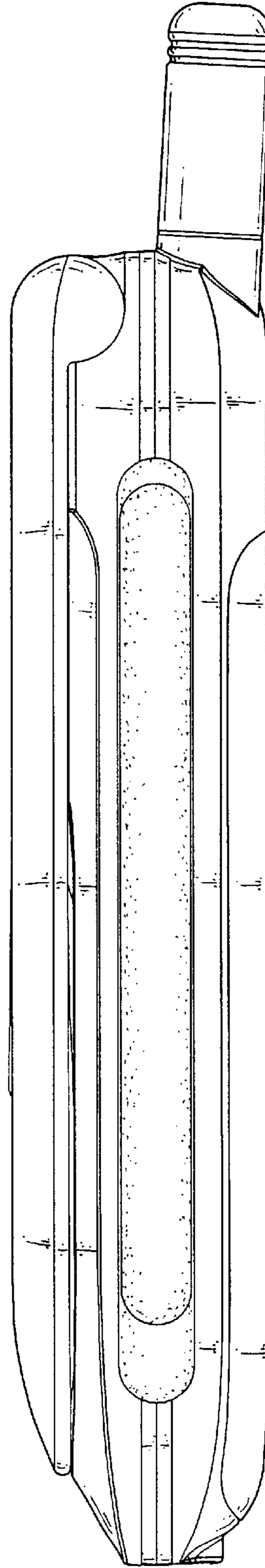


FIG. 3

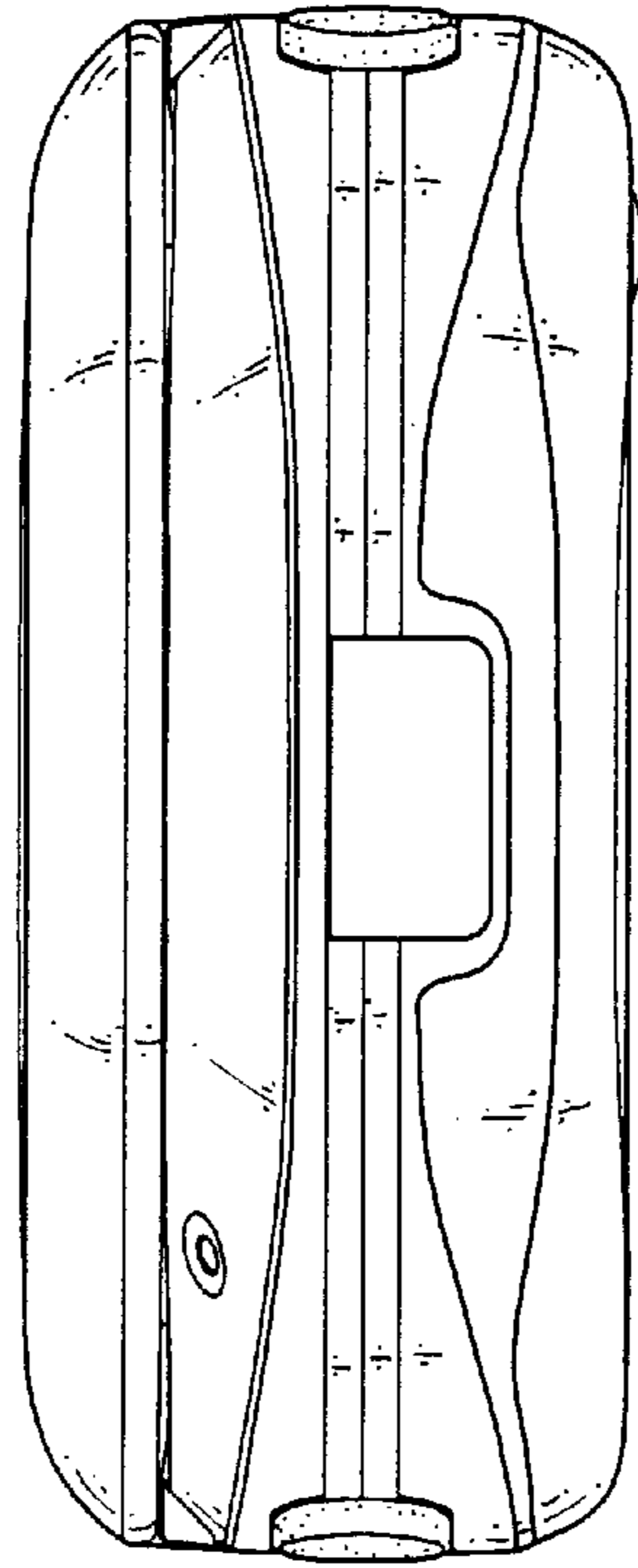


FIG. 5

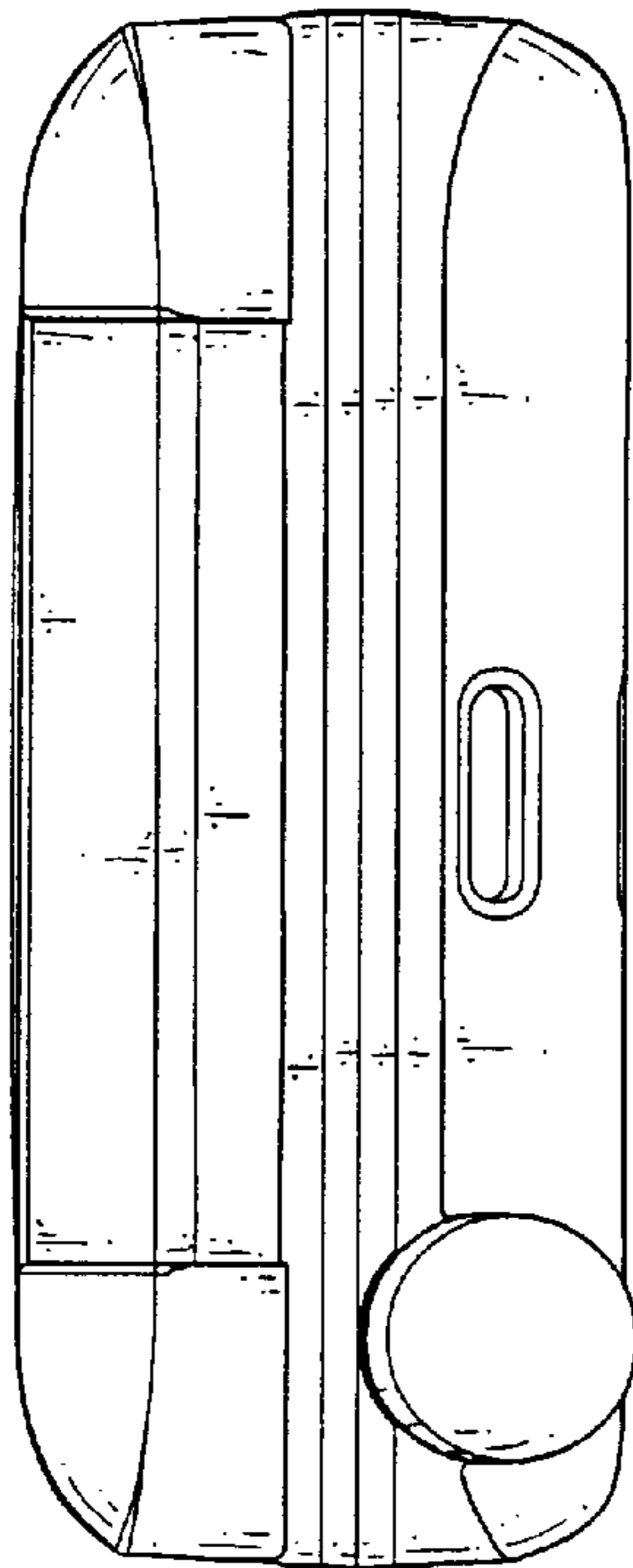


FIG. 4

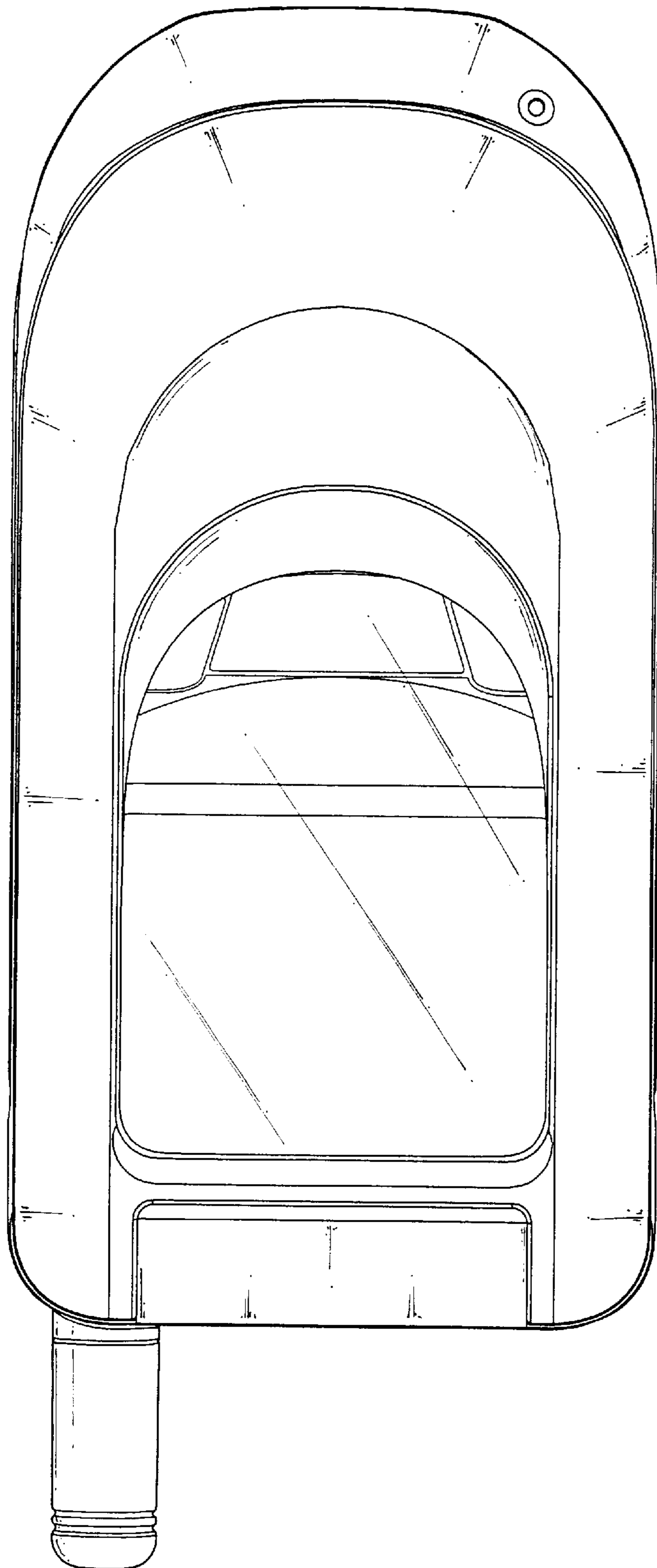


FIG. 6

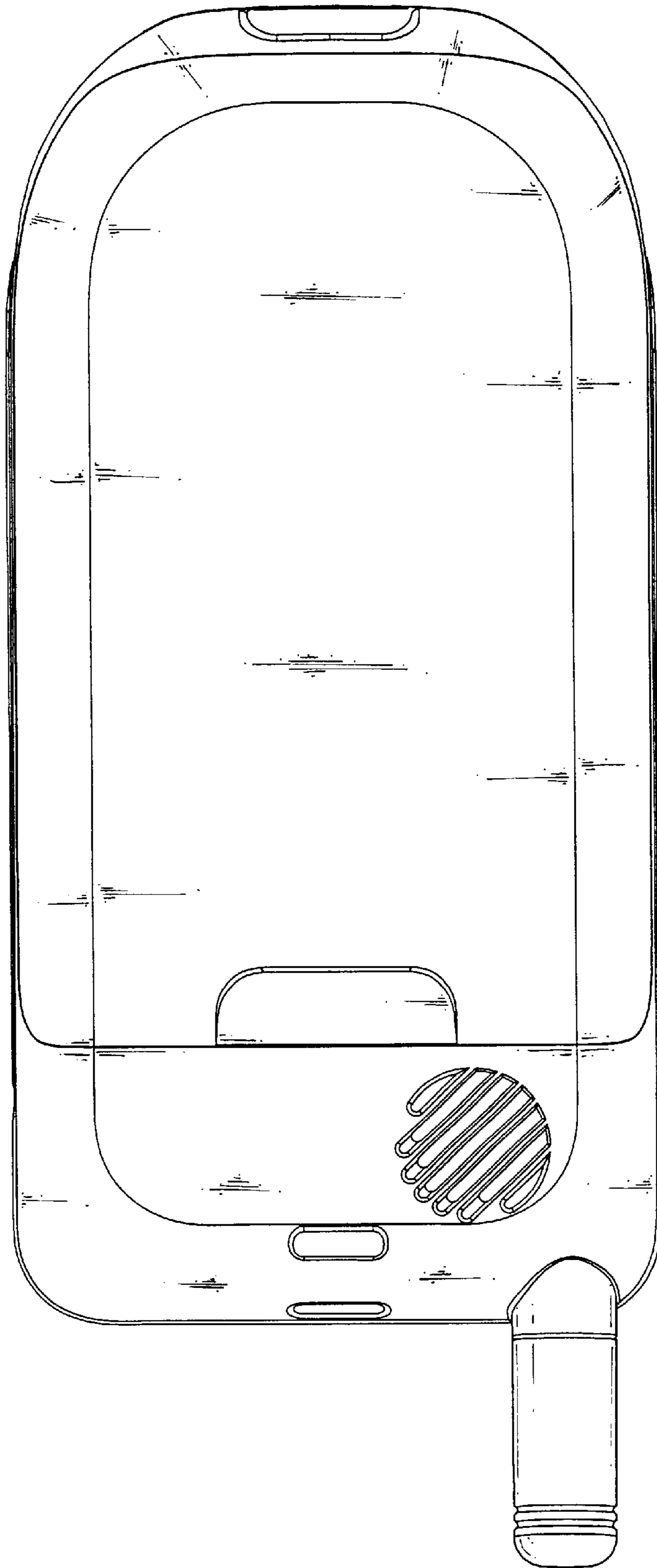


FIG. 7